

z/OS  
Version 2.Release 3

*Cryptographic Services  
Integrated Cryptographic Service Facility  
Administrator's Guide*



**Note**

Before using this information and the product it supports, read the information in [“Notices” on page 537.](#)

This edition applies to ICSF FMID HCR77D0 and Version 2 Release 3 of z/OS (5650-ZOS) and to all subsequent releases and modifications until otherwise indicated in new editions.

Last updated: 2021-06-21

© **Copyright International Business Machines Corporation 2007, 2021.**

US Government Users Restricted Rights – Use, duplication or disclosure restricted by GSA ADP Schedule Contract with IBM Corp.

---

# Contents

<b>Figures.....</b>	<b>xi</b>
<b>Tables.....</b>	<b>xxvii</b>
<b>About this information.....</b>	<b>xxxi</b>
ICSF Features.....	xxxii
Who should use this information.....	xxxii
How to use this information.....	xxxiii
Where to find more information.....	xxxiii
Related Publications.....	xxxiv
IBM Crypto Education.....	xxxiv
<b>How to send your comments to IBM.....</b>	<b>xxxv</b>
If you have a technical problem.....	xxxv
<b>Summary of changes.....</b>	<b>xxxvii</b>
Changes made in Cryptographic Support for z/OS V2R2 - z/OS V2R3 (FMID HCR77D0).....	xxxviii
Changes made in Cryptographic Support for z/OS V2R1 - z/OS V2R3 (FMID HCR77C1).....	xxxviii
Changes made in Cryptographic Support for z/OS V2R1 - z/OS V2R2 (FMID HCR77C0).....	xxxix
Changes made in Cryptographic Support for z/OS V1R13 - z/OS V2R2 (FMID HCR77B1).....	xl
<b>Chapter 1. Introduction.....</b>	<b>1</b>
The Tasks of a Data Security System.....	1
The Role of Cryptography in Data Security.....	1
Symmetric Cryptography.....	2
Asymmetric Algorithm or Public Key Cryptography.....	2
Cryptographic Hardware Features supported by z/OS ICSF.....	3
Crypto Express6 adapter (CEX6A, CEX6C or CEX6P).....	3
Crypto Express5 adapter (CEX5A, CEX5C or CEX5P).....	3
Crypto Express4 adapter (CEX4A, CEX4C or CEX4P).....	3
Crypto Express3 adapter (CEX3C or CEX3A).....	3
Crypto Express2 adapter (CEX2C or CEX2A).....	4
CP Assist for Cryptographic Functions (CPACF).....	4
CP Assist for Cryptographic Functions (CPACF) DES/TDES Enablement.....	4
Regional cryptographic servers.....	4
Identification of cryptographic features.....	5
Managing Crypto Express2 adapters on an IBM System z9 EC, z9 BC, z10 EC, and z10 BC.....	5
Managing Crypto Express3 adapters on an IBM System z10 EC, z10 BC, IBM zEnterprise 196, 114, BC12 and EC12.....	6
Managing Crypto Express4 adapters on an IBM zEnterprise BC12, EC12, z13, and z13s.....	6
Managing Crypto Express5 adapters on an IBM z13 and z13s.....	7
Managing Crypto Express6 adapters on an IBM z14 and z14 ZR1.....	7
Strength of Hardware Cryptography.....	8
The Role of Key Secrecy in Data Security.....	8
<b>Chapter 2. Understanding cryptographic keys.....</b>	<b>9</b>
Values of keys.....	9
Types of keys.....	9
Master keys.....	9

CCA operational keys.....	10
Regional cryptographic operational keys.....	18
PKCS #11 operational keys.....	19
Protection and control of cryptographic keys.....	19
Master key concept.....	19
Symmetric key separation.....	19
Asymmetric key usage.....	21
Migrating from PCF and CUSP key types.....	21
Key strength and wrapping of key.....	21
Access control points.....	22
DES key wrapping.....	23
AES key wrapping.....	23
DES master key.....	23
Protection of distributed keys.....	23
Protecting keys stored with a file.....	24
Remote key loading.....	25
Using DES and AES transport keys to protect keys sent between systems.....	25
Using RSA public keys to protect keys sent between systems.....	26
Protection of data.....	26

### **Chapter 3. Managing cryptographic keys..... 29**

Managing CCA cryptographic keys.....	29
Generating cryptographic keys.....	29
Entering keys.....	31
Maintaining cryptographic keys.....	35
Distributing CCA keys.....	56
Managing PKCS #11 cryptographic keys .....	59
PKCS #11 Overview.....	59
Enterprise PKCS #11 master key.....	59
Managing tokens and objects in the TKDS.....	59
PKCS #11 and FIPS 140-2.....	60
TKDS key protection.....	60
Managing regional cryptographic keys.....	60
Regional cryptographic server master key.....	60
Regional cryptographic key (RCE) redirection.....	61
CCA and RCE concurrence.....	63

### **Chapter 4. Setting up and maintaining cryptographic key data sets..... 65**

Setting up and maintaining the cryptographic key data set (CKDS).....	65
Unsupported keys in the CKDS.....	67
Setting up and maintaining the public key data set (PKDS).....	67
Unsupported keys in the PKDS.....	68
Setting up and maintaining the token data set (TKDS).....	69
Converting a key data set to common record format.....	69
Key data set metadata.....	70
Metadata.....	70
Archiving and recalling a record in a key data set.....	72
Variable-length metadata blocks.....	72
IBM metadata blocks.....	73
Key material validity dates.....	73

### **Chapter 5. Controlling who can use cryptographic keys and services..... 75**

System authorization facility (SAF) controls.....	75
Cryptographic coprocessor access controls for services and utilities.....	75
Steps for SAF-protecting ICSF services and CCA keys.....	76
Setting up profiles in the CSFSERV general resource class.....	77
Setting up profiles in the CSFKEYS general resource class.....	80

Setting up prefixed profiles in the CSFSERV and CSFKEYS general resource classes.....	81
Enabling use of encrypted keys in callable services that exploit CPACF.....	82
Setting up SAF conditional access control for the CSFKEYS general resource class.....	83
Optional SAF checking for KGUP.....	83

## **Chapter 6. Monitoring users and jobs that perform cryptographic operations..... 85**

Configuring ICSF for cryptographic usage tracking.....	85
Configuring SMF for cryptographic usage tracking.....	85
Enabling and disabling cryptographic usage tracking.....	86

## **Chapter 7. Using the pass phrase initialization utility..... 87**

Requirements for running the Pass Phrase Initialization Utility.....	87
SAF Protection.....	88
Running the Pass Phrase Initialization Utility.....	88
Steps for initializing a system for the first time.....	90
Steps for reinitializing a system.....	91
Steps for adding a CCA coprocessor after first time Pass Phrase Initialization.....	91
Steps to add missing master keys.....	91
Initializing multiple systems with pass phrase initialization utility.....	92

## **Chapter 8. Managing CCA Master Keys..... 93**

Introduction.....	93
Coordinated and local utilities.....	94
Cryptographic features.....	95
Identification of cryptographic features.....	95
New master keys automatically set when ICSF started.....	96
Coprocessor activation.....	96
DES master key.....	97
RSA master key.....	97
PKA Callable Services control.....	98
Steps for enabling and disabling PKA callable services and Dynamic CKDS/PKDS access controls.....	98
Entering master key parts.....	99
Generating master key data for master key entry.....	100
Steps for entering the first master key part.....	105
Steps for entering intermediate key parts.....	107
Steps for entering the final key part.....	109
Steps for restarting the key entry process.....	112
Reentering master keys when they have been cleared.....	113
Initializing the key data sets at first-time startup.....	115
CKDS.....	115
PKDS.....	117
Updating the key data sets with additional master keys.....	118
CKDS.....	119
PKDS.....	119
Refreshing the key data sets.....	120
Performing a local CKDS refresh.....	121
Performing a coordinated CKDS refresh.....	122
Performing a local PKDS refresh.....	124
Performing a coordinated PKDS refresh.....	124
Changing the master keys.....	126
Key check utility.....	127
Symmetric master keys and the CKDS.....	127
Asymmetric master keys and the PKDS.....	130
Performing a coordinated change master key.....	132
Recovering from a coordinated administration failure.....	134
Coordinated change master key and coordinated refresh messages.....	134

New master key register mismatch.....	135
Cataloged failures.....	135
Mainline processing failure.....	136
Backout processing failure.....	136
Set master key failure.....	136
Back-level ICSF releases in the sysplex.....	137
Rename failures.....	137
Adding cryptographic coprocessors after initialization.....	139
Clearing master keys.....	140
<b>Chapter 9. Managing PKCS #11 master keys.....</b>	<b>141</b>
Entering master key parts using the TKE workstation.....	141
First time use of Enterprise PKCS #11 keys.....	141
Initialize or update the TKDS.....	142
Changing the Master Key.....	143
Re-entering Master Keys after they have been cleared.....	146
Setting the Master Key.....	146
<b>Chapter 10. CCA compliance.....</b>	<b>149</b>
<b>Chapter 11. Key management on systems without coprocessors.....</b>	<b>151</b>
Initializing the CKDS at first-time startup .....	151
Steps for initializing a CKDS.....	151
CKDS refresh.....	153
Callable services.....	153
<b>Chapter 12. Running in a Sysplex Environment.....</b>	<b>155</b>
Sysplex communication level.....	155
Coordinated change master key and coordinated refresh utilities.....	155
Initializing ICSF for the first time in a sysplex.....	157
CCA.....	157
PKCS #11.....	158
CKDS management in a sysplex.....	158
Setting symmetric master keys for the first time when sharing a CKDS in a sysplex environment	159
Updating the CKDS with additional master keys in a sysplex environment.....	160
Refreshing the CKDS in a sysplex environment.....	160
Changing symmetric master keys in a sysplex environment.....	160
PKDS management in a sysplex.....	161
Setting asymmetric master keys for the first time when sharing a PKDS in a sysplex environment	162
Updating the PKDS with additional master keys in a sysplex environment.....	162
Refreshing the PKDS in a sysplex environment.....	163
Changing asymmetric master keys in a sysplex environment.....	163
TKDS management in a sysplex.....	164
Setting the PKCS #11 master key for the first time when sharing a TKDS in a sysplex environment.....	164
Changing PKCS #11 master keys when the TKDS is shared in a sysplex environment.....	165
<b>Chapter 13. Managing Cryptographic Keys Using the Key Generator Utility Program.....</b>	<b>167</b>
SAF requirements.....	168
Steps for disallowing dynamic CKDS updates during CKDS administration updates.....	169
Using KGUP for key exchange.....	170
Using KGUP control statements.....	172
General Rules for CKDS Records.....	172
Syntax of the ADD and UPDATE control statements.....	174

Using the ADD and UPDATE control statements for key management and distribution functions.....	195
Syntax of the RENAME Control Statement.....	201
Syntax of the DELETE Control Statement.....	202
Syntax of the SET Control Statement.....	203
Syntax of the OPKYLOAD Control Statement.....	203
Examples of Control Statements .....	204
Specifying KGUP data sets.....	211
Submitting a job stream for KGUP.....	214
Enabling Special Secure Mode.....	214
Reducing Control Area Splits and Control Interval Splits from a KGUP Run.....	215
Refreshing the In-Storage CKDS.....	215
Using KGUP Panels.....	215
Steps for creating KGUP control statements using the ICSF panels.....	216
Steps for specifying data sets using the ICSF panels.....	231
Steps for creating the job stream using the ICSF panels.....	233
Steps for refreshing the active CKDS using the ICSF panels.....	237
Scenario of Two ICSF Systems Establishing Initial Transport Keys.....	238
Scenario of an ICSF System and a PCF System Establishing Initial Transport Keys.....	239
Scenario of an ICSF System and IBM 4767 PCIe and IBM 4765 PCIe Cryptographic Coprocessors Establishing Initial Transport Keys.....	241

**Chapter 14. Viewing and Changing System Status..... 243**

Identification of cryptographic features.....	243
Displaying administrative control functions.....	244
Displaying cryptographic coprocessor status.....	245
Changing coprocessor or accelerator status.....	247
Deactivating the last coprocessor.....	247
Displaying coprocessor hardware status.....	248
Displaying installation options.....	256
Display CCA domain roles.....	268
Displaying the EP11 domain roles.....	278
Displaying installation exits.....	280
Displaying installation-defined callable services.....	282

**Chapter 15. Managing User Defined Extensions ..... 285**

Display UDXs for a coprocessor.....	285
Display coprocessors for a UDX.....	286

**Chapter 16. Using the Utility Panels to Encode and Decode Data..... 287**

Steps for encoding data.....	287
Steps for decoding data.....	288

**Chapter 17. Using the utility panels to manage keys in the CKDS..... 289**

SAF controls used by the CKDS KEYS utility.....	289
Auditing.....	290
Managing keys in the CKDS.....	290
CKDS labels.....	290
Using the CKDS KEYS utility with a KDSR format CKDS.....	291
Using the CKDS KEYS utility with a non-KDSR format CKDS.....	326
Troubleshooting.....	337
DES control vector attributes.....	338
UDX attributes.....	338
Key usage attributes.....	338
Key management attributes.....	341

**Chapter 18. Using the utility panels to manage keys in the PKDS..... 343**

SAF controls used by the PKDS KEYS utility.....	343
---	-----

Auditing.....	344
Managing keys in the PKDS.....	344
PKDS labels.....	345
Using the PKDS KEYS utility with a KDSR format PKDS.....	345
Using the PKDS KEYS utility with a non-KDSR format PKDS.....	379
Troubleshooting.....	389
Using the PKDS KEYS utility to generate keys and import and export public keys.....	390
Generate a new RSA or EC public/private PKDS key pair record.....	391
Delete an existing key record.....	392
Export a public key to an X.509 certificate for importation elsewhere.....	393
Import a public key from an X.509 certificate received from elsewhere.....	394
Troubleshooting.....	395

## **Chapter 19. Using PKCS11 Token Management Utility..... 397**

SAF controls used by the PKCS11 Token Browser.....	397
Auditing.....	399
Managing PKCS11 tokens and objects in the TKDS.....	399
Creating tokens.....	400
Deleting tokens.....	401
Listing tokens.....	403
Managing the objects of a token.....	403
Object details panels.....	426
Data Object Details panel.....	426
Certificate Object Details panel.....	426
Secret Key Object Details panel.....	427
Public Key Object Details panel.....	429
Private Key Object Details panel.....	432
Domain Parameters Object Details panel.....	436

## **Chapter 20. Using the ICSF Utility Program CSFEUTIL..... 439**

Symmetric Master Keys and the CKDS.....	439
Refreshing the in-storage CKDS using a utility program.....	441
Return and reason codes for the CSFEUTIL program.....	441
CSFEUTIL .....	444

## **Chapter 21. Using the ICSF Utility Program CSFPUTIL..... 449**

Asymmetric master keys and the PKDS.....	449
Refreshing the in-storage copy of the PKDS .....	450
Return and reason codes for the CSFPUTIL program.....	450
CSFPUTIL.....	451

## **Chapter 22. Using the ICSF Utility Program CSFDUTIL..... 455**

Using the Duplicate Token Utility.....	455
CSFDUTIL output.....	455
Return and reason codes for the CSFDUTIL program.....	456
CSFDUTIL .....	457

## **Chapter 23. Rewrapping DES key token values in the CKDS using the utility program CSFCNV2..... 459**

## **Chapter 24. Using ICSF health checks..... 463**

SAF Authorization for ICSF health checks.....	463
Accessing the ICSF health checks.....	464
ICSF_COPROCESSOR_STATE_NEGCHANGE.....	464
ICSF_DEPRECATED_SERV_WARNINGS.....	465
ICSF_KEY_EXPIRATION.....	466



ICSF_MASTER_KEY_CONSISTENCY.....	468
ICSF_OPTIONS_CHECKS.....	469
ICSF_PKCS_PSS_SUPPORT.....	470
ICSF_UNSUPPORTED_CCA_KEYS.....	471
ICSFMIG_DEPRECATED_SERV_WARNINGS.....	473
ICSFMIG_MASTER_KEY_CONSISTENCY.....	474
ICSFMIG7731_ICSF_RETAINED_RSAKEY.....	475
ICSFMIG77A1_COPROCESSOR_ACTIVE.....	476
ICSFMIG77A1_TKDS_OBJECT.....	477
ICSFMIG77A1_UNSUPPORTED_HW.....	478
<b>Appendix A. ICSF Panels.....</b>	<b>481</b>
ICSF Primary Menu panel.....	481
CSFACF00 — Administrative Control Functions panel.....	481
CSFCKD20 — CKDS Operations panel.....	482
CSFCKD30 — PKDS Operations panel.....	482
CSFCMK10 — Reencipher CKDS panel.....	482
CSFCMK12 — Reencipher PKDS panel.....	483
CSFCMK20 — Change Master Key panel.....	483
CSFCMK21 — Refresh PKA Cryptographic Key Data Set panel.....	483
CSFCMK22 — Change Asymmetric Master Key panel.....	483
CSFCMK30 — Initialize a PKDS panel.....	484
CSFCMP00 — Coprocessor Management panel.....	484
CSFMKM10 — Key Data Set Management panel.....	485
CSFMKM20 — CKDS Management panel.....	485
CSFMKM30 — PKDS Management panel.....	485
CSFMKV00 — Checksum and Verification Pattern panel.....	486
CSFMKV10 — Key Type Selection panel.....	486
CSFPMC20 — Pass Phrase MK/CKDS/PKDS Initialization.....	486
CSFPPM00 — Master Key Values from Pass Phrase panel.....	487
CSFRNG00 — ICSF Random Number Generator panel.....	487
CSFSOP00 — Installation Options panel.....	487
CSFSOP30 — Installation Exits Display panel.....	488
CSFUTL00 — ICSF Utilities panel.....	488
<b>Appendix B. Control Vector Table.....</b>	<b>489</b>
<b>Appendix C. Supporting Algorithms and Calculations.....</b>	<b>493</b>
Checksum Algorithm.....	493
Algorithm for calculating a verification pattern.....	495
AES and ECC master key verification pattern algorithm.....	495
RSA master key verification pattern algorithm.....	495
Pass Phrase Initialization master key calculations.....	495
The MDC-4 Algorithm for Generating Hash Patterns.....	496
Notations Used in Calculations.....	496
MDC-1 Calculation.....	496
MDC-4 Calculation.....	497
<b>Appendix D. PR/SM Considerations during Key Entry.....</b>	<b>499</b>
Allocating Cryptographic Resources to a Logical Partition.....	499
Allocating Resources.....	499
Entering the Master Key or Other Keys in LPAR Mode.....	500
Reusing or Reassigning a Domain.....	500
<b>Appendix E. CCA access control points and ICSF utilities.....</b>	<b>501</b>
Access Control Points.....	501

<b>Appendix F. Callable services affected by key store policy.....</b>	<b>503</b>
Summary of Key Store Policy (KSP) and Enhanced Keylabel Access Control interactions.....	510
<b>Appendix G. Callable services that trigger reference date processing.....</b>	<b>513</b>
<b>Appendix H. Questionable (Weak) Keys.....</b>	<b>521</b>
<b>Appendix I. Resource names for CCA and ICSF entry points.....</b>	<b>523</b>
<b>Appendix J. Accessibility.....</b>	<b>533</b>
Accessibility features.....	533
Consult assistive technologies.....	533
Keyboard navigation of the user interface.....	533
Dotted decimal syntax diagrams.....	533
<b>Notices.....</b>	<b>537</b>
Terms and conditions for product documentation.....	538
IBM Online Privacy Statement.....	539
Policy for unsupported hardware.....	539
Minimum supported hardware.....	539
Trademarks.....	540
<b>Index.....</b>	<b>541</b>

---

# Figures

1. Keys protected in a system.....	20
2. Keys protected in a file outside the system.....	24
3. Keys and PINs protected when sent between two systems.....	25
4. Distributing a DES data-encrypting key using an RSA cryptographic scheme.....	26
5. Data protected when sent between intermediate systems.....	27
6. Key Sent from System A to System B.....	57
7. Keys Sent between System A and System B.....	58
8. ICSF metadata enabling RCE redirection.....	61
9. Updating the in-storage copy and the disk copy of the CKDS.....	66
10. Selecting ADMINCNTL on the ICSF primary menu panel.....	99
11. Selecting ADMINCNTL on the ICSF primary menu panel.....	99
12. Selecting UTILITY on the ICSF primary menu panel.....	101
13. Selecting RANDOM on the ICSF Utilities panel.....	101
14. Selecting Parity on the Random Number Generator panel.....	102
15. ICSF Random Number Generator Panel with Generated Numbers.....	102
16. Selecting the Checksum Option on the ICSF Utilities Panel.....	103
17. ICSF Checksum and Verification and Hash Pattern Panel.....	103
18. Key Type Selection Panel Displayed During Hardware Key Entry.....	104
19. ICSF Checksum and Verification Pattern Panel.....	104
20. Selecting the coprocessor on the Coprocessor Management Panel.....	105
21. Master Key Entry Panel.....	106
22. The Master Key Entry Panel Following Key Part Entry .....	107
23. The Master Key Entry Panel for Intermediate Key Values.....	108

24. The Master Key Entry Panel with Intermediate Key Values.....	109
25. The Master Key Entry Panel when entering Final Key Values.....	110
26. The Master Key Entry Panel with Final Key Values.....	111
27. Selecting Reset on the Master Key Entry Panel.....	112
28. Confirm Restart Request Panel.....	113
29. The Master Key Entry Panel Following Reset Request.....	113
30. Selecting the Set Host Master Key Option on the Key Data Set Management panel.....	114
31. Selecting KDS Management on the ICSF primary menu panel.....	116
32. Selecting CKDS MK MANAGEMENT on the Key Data Set Management panel.....	116
33. The CKDS Operations panel.....	117
34. ICSF Initialize/Refresh a PKDS Panel.....	118
35. Selecting the Refresh Option on the ICSF Initialize a CKDS Panel.....	121
36. The Coordinated KDS Refresh panel.....	123
37. The Coordinated KDS Refresh panel.....	125
38. Selecting KDS MANAGEMENT on the ICSF primary menu panel.....	142
39. Selecting TKDS MK MANAGEMENT on the Key Data Set Management panel.....	142
40. Selecting INIT/UPDATE TKDS on the Key Data Set Management panel.....	143
41. Selecting KDS Management on the ICSF primary menu panel.....	144
42. Selecting TKDS MK MANAGEMENT on the Key Data Set Management panel.....	144
43. Selecting COORDINATED TKDS CHANGE MK on the Key Data Set Management panel.....	145
44. Coordinated KDS change master key panel.....	145
45. Selecting KDS MANAGEMENT on the ICSF primary menu panel.....	147
46. Selecting SET MK on the Key Data Set Management panel.....	147
47. Selecting KDS MANAGEMENT on the ICSF primary menu panel.....	151
48. Selecting CKDS MK MANAGEMENT on the Key Data Set Management panel.....	152

49. Selecting CKDS OPERATIONS on the CKDS Management panel.....	152
50. The CKDS Operations panel.....	152
51. Selecting to Disallow Dynamic CKDS Access on User Control Functions Panel.....	170
52. ADD and UPDATE Control Statement Syntax.....	175
53. RENAME Control Statement Syntax.....	202
54. DELETE Control Statement Syntax.....	202
55. SET Control Statement Syntax.....	203
56. OPKYLOAD Control Statement Syntax.....	203
57. Diagnostics Data Set Example.....	212
58. KGUP Job Stream.....	214
59. Key Administration Panel.....	216
60. Selecting the Create Option on the Key Administration Panel.....	216
61. KGUP Control Statement Data Set Specification Panel.....	217
62. Entering a Data Set Name on the KGUP Control Statement Data Set Specification Panel.....	218
63. Member Selection List Panel.....	219
64. Entering Data Set Information on the Allocation Panel.....	219
65. KGUP Control Statement Menu Panel.....	220
66. Create ADD, UPDATE, or DELETE Key Statement Panel.....	221
67. Selecting the ADD Function on the Create ADD, UPDATE, or DELETE Key Statement Panel.....	222
68. Selecting a Key on the Key Type Selection Panel.....	222
69. Completing the Create ADD, UPDATE, or DELETE Key Statement Panel.....	223
70. Specifying Multiple Key Labels on the Group Label Panel.....	225
71. Create ADD, UPDATE, or DELETE Key Statement Panel Showing Successful Update.....	226
72. Selecting the Rename Option on the KGUP Control Statement Menu Panel.....	226
73. Create RENAME Control Statement Panel.....	227

74. Selecting a Key Type on the Key Type Selection Panel.....	227
75. Completing the Create RENAME Control Statement Panel.....	228
76. Selecting the Set Option on the KGUP Control Statement Menu Panel.....	229
77. Create SET Control Statement Panel.....	229
78. Completing the Create SET Control Statement Panel.....	229
79. Selecting the Edit Option on the KGUP Control Statement Menu Panel.....	230
80. Edit Control Statement Initial Display Panel.....	230
81. Edit Control Statement Data Set with Insert.....	231
82. Selecting the Specify Data Set Option on the Key Administration Panel.....	231
83. Specify KGUP Data Sets Panel.....	232
84. Completing the Specify KGUP Data Sets Panel.....	233
85. Invoking KGUP by Selecting the Submit Option on the Key Administration Panel.....	234
86. Set KGUP JCL Job Card Panel.....	234
87. KGUP JCL Set for Editing and Submitting (Files Exist).....	235
88. KGUP JCL Set for Editing and Submitting (Files Do Not Exist).....	236
89. Selecting the Refresh Option on the Key Administration Panel.....	237
90. Refresh In-Storage CKDS.....	237
91. Key Exchange Establishment between Two ICSF Systems.....	238
92. Key Exchange Establishment between an ICSF System and a PCF System.....	239
93. Key Exchange Establishment between IBM 4767 PCIE and IBM 4765 PCIE Cryptographic Coprorocessors systems and an ICSF System.....	241
94. Coprocessor Management Panel.....	247
95. Coprocessor Management Panel.....	248
96. Selecting the coprocessor on the Coprocessor Management Panel.....	248
97. Coprocessor Hardware Status Panel.....	249
98. PKCS #11 Coprocessor Hardware Status Panel.....	255

99. Installation Options panel.....	256
100. Coprocessor Management Panel.....	269
101. CCA Coprocessor Role Display panel.....	270
102. CCA Coprocessor Role Display panel - part 2.....	271
103. CCA Coprocessor Role Display panel – part 3.....	272
104. CCA Coprocessor Role Display panel – part 4.....	273
105. CCA Domain Role Display panel.....	274
106. CCA Domain Role Display panel - part 2.....	275
107. CCA Domain Role Display panel - part 3.....	276
108. CCA Domain Role Display panel - part 4.....	277
109. CCA Domain Role Display panel - part 5.....	278
110. Coprocessor Management Panel.....	278
111. CSFCMP30 - ICSF - Domain Role Display.....	279
112. CSFCMP32 - ICSF - Domain Role Display.....	280
113. Installation Options Panel.....	282
114. Installation-Defined Services Display Panel.....	283
115. User Defined Extensions Management Panel.....	285
116. Authorized UDX Coprocessor Selection Panel.....	285
117. Authorized UDXs Panel.....	286
118. Coprocessors for Authorized UDXs Panel.....	286
119. Coprocessors for Authorized UDXs Panel.....	286
120. Selecting the Encode Option on the Utilities Panel.....	287
121. Encode Panel.....	287
122. Selecting the Decode Option on the Utilities Panel.....	288
123. Decode Panel.....	288

124. Selecting UTILITY on the ICSF primary menu panel.....	291
125. Selecting CKDS KEYS on the ICSF Utilities panel.....	291
126. CKDS KEYS panel for KDSR format CKDS.....	291
127. CKDS KEYS List panel for KDSR format CKDS.....	292
128. Select the CKDS records to archive.....	292
129. Record Archive Confirmation panel.....	293
130. CKDS KEYS List panel with archived records.....	293
131. CKDS Key Attributes and Metadata panel for KDSR format CKDS.....	294
132. Selecting to archive the CKDS record.....	295
133. The CKDS record is archived.....	296
134. CKDS Key Attributes and Metadata panel for KDSR format CKDS.....	297
135. New start date and new end date specified.....	298
136. Record cryptoperiod dates are updated.....	299
137. CKDS KEYS List panel for KDSR format CKDS.....	299
138. Select the CKDS records to view metadata.....	300
139. CKDS Record Metadata panel for KDSR format CKDS.....	300
140. New start date and new end date specified.....	301
141. Record metadata dates are updated.....	301
142. CKDS KEYS panel for KDSR format CKDS.....	302
143. Record Delete Confirmation panel.....	302
144. CKDS KEYS List panel for KDSR format CKDS.....	303
145. Select the CKDS records to delete.....	303
146. Record Delete Confirmation panel.....	303
147. CKDS KEYS List panel with deleted records.....	304
148. CKDS Key Attributes and Metadata panel for KDSR format CKDS.....	304



149. Selecting to delete this record.....	305
150. Record Delete Confirmation panel.....	305
151. CKDS KEYS List panel for KDSR format CKDS.....	308
152. CKDS KEYS panel for KDSR format CKDS.....	309
153. CKDS Key Attributes and Metadata panel for KDSR format CKDS.....	309
154. CKDS KEYS panel for KDSR format CKDS.....	310
155. CKDS KEYS List panel for KDSR format CKDS.....	310
156. CKDS Key Attributes and Metadata panel for the KDSR format of the CKDS.....	311
157. CKDS KEYS panel for KDSR format CKDS.....	312
158. CKDS Key Attributes and Metadata panel for KDSR format CKDS.....	313
159. CKDS KEYS panel for KDSR format CKDS.....	314
160. CKDS KEYS List panel for KDSR format CKDS.....	314
161. CKDS Key Attributes and Metadata panel for the KDSR format of the CKDS.....	315
162. CKDS KEYS panel for KDSR format CKDS.....	315
163. CKDS Generate Key panel for KDSR format CKDS.....	316
164. Generating a 256-bit key.....	316
165. Record replacement confirmation panel.....	316
166. CKDS KEYS panel for KDSR format CKDS.....	317
167. CKDS KEYS List panel for KDSR format CKDS.....	317
168. Select the CKDS records to prohibit archival.....	318
169. Record prohibit archive confirmation panel.....	318
170. CKDS Key Attributes and Metadata panel for KDSR format CKDS.....	319
171. Selecting to enable the 'Prohibit archive flag' for this record.....	320
172. The 'Prohibit archive flag' is enabled.....	321
173. CKDS KEYS panel for KDSR format CKDS.....	322

174. CKDS KEYS List panel for KDSR format CKDS.....	322
175. Select the CKDS records to recall.....	322
176. Record recall confirmation panel.....	323
177. CKDS KEYS list panel with recall records.....	323
178. CKDS Key Attributes and Metadata panel for KDSR format CKDS.....	324
179. Selecting to recall this record.....	325
180. The record is recalled.....	326
181. Selecting UTILITY on the ICSF primary menu panel.....	326
182. Selecting CKDS KEYS on the ICSF Utilities panel.....	327
183. CKDS KEYS panel for non-KDSR format CKDS.....	327
184. CKDS KEYS panel for non-KDSR format CKDS.....	328
185. Record Delete Confirmation panel.....	328
186. CKDS KEYS List panel for non-KDSR format CKDS.....	328
187. Select the CKDS records to delete.....	329
188. Record Delete Confirmation panel.....	329
189. CKDS KEYS List panel with deleted records.....	329
190. CKDS Key Attributes and Metadata panel for non-KDSR format CKDS.....	330
191. Selecting to delete this record.....	330
192. Record Delete Confirmation panel.....	331
193. CKDS KEYS List panel for non-KDSR format CKDS.....	333
194. CKDS KEYS panel for non-KDSR format CKDS.....	334
195. CKDS Key Attributes and Metadata panel for non-KDSR format CKDS.....	334
196. CKDS KEYS panel for non-KDSR format CKDS.....	335
197. CKDS KEYS List panel for non-KDSR format CKDS.....	335
198. CKDS Key Attributes and Metadata panel for the non-KDSR format of the CKDS.....	336

199. CKDS KEYS panel for non-KDSR format CKDS.....	336
200. CKDS Generate Key panel for non-KDSR format CKDS.....	337
201. Generating a 256-bit key.....	337
202. Record replacement confirmation panel.....	337
203. KDS Keys Function Failed panel.....	338
204. Selecting UTILITY on the ICSF primary menu panel.....	345
205. Selecting PKDSKEYS on the ICSF Utilities panel.....	345
206. PKDS KEYS panel for KDSR format PKDS.....	346
207. PKDS KEYS List panel for KDSR format PKDS.....	346
208. Select the PKDS records to archive.....	347
209. Record Archive Confirmation panel.....	347
210. PKDS KEYS List panel with archived records.....	347
211. PKDS Key Attributes and Metadata panel for KDSR format PKDS.....	348
212. Selecting to archive the PKDS record.....	349
213. The PKDS record is archived.....	350
214. PKDS Key Attributes and Metadata panel for KDSR format PKDS.....	351
215. New start date and new end date specified.....	352
216. Record cryptoperiod dates are updated.....	353
217. PKDS KEYS List panel for KDSR format PKDS.....	354
218. Select the PKDS records to view metadata.....	354
219. PKDS Record Metadata panel for KDSR format PKDS.....	355
220. New start date and new end date specified.....	355
221. Record metadata dates are updated.....	356
222. PKDS KEYS panel for KDSR format PKDS.....	356
223. Record Delete Confirmation panel.....	357

224. PKDS KEYS List panel for KDSR format PKDS.....	357
225. Select the PKDS records to delete.....	357
226. Record Delete Confirmation panel.....	358
227. PKDS KEYS List panel with deleted records.....	358
228. PKDS Key Attributes and Metadata panel for KDSR format PKDS.....	359
229. Selecting to delete this record.....	360
230. Record Delete Confirmation panel.....	360
231. PKDS KEYS List panel for KDSR format PKDS.....	361
232. PKDS KEYS panel for KDSR format PKDS.....	364
233. PKDS Key Attributes and Metadata panel for KDSR format PKDS.....	364
234. PKDS KEYS panel for KDSR format PKDS.....	365
235. PKDS KEYS List panel for KDSR format PKDS.....	365
236. PKDS Key Attributes and Metadata panel for the KDSR format of the PKDS.....	366
237. PKDS KEYS panel for KDSR format PKDS.....	367
238. PKDS Key Attributes and Metadata panel for KDSR format PKDS.....	368
239. PKDS KEYS panel for KDSR format PKDS.....	368
240. PKDS KEYS List panel for KDSR format PKDS.....	369
241. PKDS Key Attributes and Metadata panel for the KDSR format of the PKDS.....	369
242. PKDS KEYS panel for KDSR format PKDS.....	370
243. PKDS KEYS List panel for KDSR format PKDS.....	370
244. Select the PKDS records to prohibit archival.....	371
245. Record prohibit archive confirmation panel.....	371
246. PKDS Key Attributes and Metadata panel for KDSR format PKDS.....	372
247. Selecting to enable the 'Prohibit archive flag' for this record.....	373
248. The 'Prohibit archive flag' is enabled.....	374

249. PKDS KEYS panel for KDSR format PKDS.....	375
250. PKDS KEYS List panel for KDSR format PKDS.....	375
251. Select the PKDS records to recall.....	375
252. Record recall confirmation panel.....	376
253. PKDS KEYS list panel with recall records.....	376
254. PKDS Key Attributes and Metadata panel for KDSR format PKDS.....	377
255. Selecting to recall this record.....	378
256. The record is recalled.....	379
257. Selecting UTILITY on the ICSF primary menu panel.....	380
258. Selecting PKDS KEYS on the ICSF Utilities panel.....	380
259. PKDS KEYS panel for non-KDSR format PKDS.....	380
260. PKDS KEYS panel for non-KDSR format PKDS.....	381
261. Record Delete Confirmation panel.....	381
262. PKDS KEYS List panel for non-KDSR format PKDS.....	382
263. Select the PKDS records to delete.....	382
264. Record Delete Confirmation panel.....	382
265. PKDS KEYS List panel with deleted records.....	383
266. PKDS Key Attributes and Metadata panel for non-KDSR format PKDS.....	383
267. Selecting to delete this record.....	384
268. Record Delete Confirmation panel.....	384
269. PKDS KEYS List panel for non-KDSR format PKDS.....	385
270. PKDS KEYS panel for non-KDSR format PKDS.....	387
271. PKDS Key Attributes and Metadata panel for non-KDSR format PKDS.....	388
272. PKDS KEYS panel for non-KDSR format PKDS.....	388
273. PKDS KEYS List panel for non-KDSR format PKDS.....	389

274. PKDS Key Attributes and Metadata panel for the non-KDSR format of the PKDS.....	389
275. KDS Keys Function Failed panel.....	390
276. ICSF PKDS Keys Panel.....	390
277. ICSF PKDS Keys Panel.....	391
278. Generating a new key pair using the PKDS Keys panel.....	391
279. Successful generation of a key pair.....	392
280. Deleting an existing record using the PKDS Keys panel.....	392
281. Confirmation panel for deleting a record.....	392
282. Successful deletion of a record.....	393
283. Exporting a public key in a X.509 certificate.....	393
284. Public key export successful.....	394
285. Importing a public key in a X.509 certificate.....	394
286. Public key import successful.....	395
287. PKDS Key Request Failed.....	395
288. PKDS Public Key Export Failure.....	396
289. PKDS Public Key Import Failure.....	396
290. ICSF primary menu panel.....	399
291. ICSF Utilities panel.....	400
292. ICSF Token Management - main menu panel.....	400
293. ICSF Token Management - main menu panel.....	400
294. Token Create Successful panel.....	401
295. ICSF Token Management - main menu panel.....	401
296. Delete Confirmation panel.....	401
297. Token Delete Successful panel.....	402
298. ICSF Token Management - main menu panel.....	402

299. ICSF Token Management – List Tokens panel.....	402
300. ICSF Token Management – Delete Confirmation panel.....	402
301. ICSF Token Management – Token Delete Successful panel.....	403
302. ICSF Token Management - main menu panel.....	403
303. ICSF Token Management – List Tokens panel.....	403
304. ICSF Token Management - main menu panel.....	404
305. ICSF Token Management – List Tokens panel.....	404
306. Token details panel for KDSR format TKDS.....	405
307. Token details panel with an object selected for archival.....	406
308. Record Archive Confirmation panel.....	406
309. Token details panel with the object archived.....	407
310. Token details panel with an object selected.....	408
311. Selecting to archive the object.....	408
312. The object is archived.....	409
313. Token details panel with an object selected for deletion.....	410
314. Record Delete Confirmation panel.....	410
315. Object Delete Successful panel.....	411
316. Token details panel with an object selected.....	411
317. Top of object details panel for a certificate object.....	412
318. Delete Confirmation panel.....	412
319. Object Delete Successful panel.....	412
320. Token details panel with an object selected.....	413
321. Record Metadata panel.....	413
322. Delete Confirmation panel.....	414
323. Object Delete Successful panel.....	414

324. Top of object details panel for a certificate object.....	414
325. Token Management Record Metadata panel.....	416
326. Select the object to prohibit archival.....	417
327. Record Prohibit Archive Confirmation panel.....	417
328. Token details panel with an object selected.....	418
329. Selecting to enable the 'Prohibit archive flag' for this record.....	418
330. The 'Prohibit archive flag' is enabled.....	419
331. Select the object to recall.....	420
332. Record Recall Confirmation panel.....	420
333. Token details panel with recall records.....	421
334. Token details panel with an object selected.....	422
335. Selecting to recall this object.....	422
336. The object is recalled.....	423
337. Token details panel for non-KDSR format TKDS.....	424
338. Top of object details panel for a certificate object.....	425
339. Delete Confirmation panel.....	425
340. Token Delete Successful panel.....	425
341. ICSF Token Management - Data Object Details panel.....	426
342. ICSF Token Management - Certificate Object Details panel.....	427
343. ICSF Token Management - Secret Key Object Details panel.....	428
344. ICSF Token Management - Public Key Object Details panel.....	430
345. ICSF Token Management - Private Key Object Details panel – Part 1.....	433
346. ICSF Token Management - Private Key Object Details panel – Part 2.....	434
347. ICSF Token Management - Domain Parameters Object Details panel.....	436
348. Addition Table.....	494



349. Shift Table..... 494



---

# Tables

- 1. Cryptographic adapter identification..... 5
- 2. DES data-encrypting keys..... 10
- 3. AES data-encrypting keys..... 11
- 4. DES cipher text translate keys..... 12
- 5. AES cipher text translate keys..... 12
- 6. DES MAC keys..... 13
- 7. AES MAC keys..... 13
- 8. HMAC MAC keys..... 13
- 9. DES PIN keys..... 14
- 10. AES PIN keys..... 14
- 11. Keys for the DES key-encrypting key..... 15
- 12. Keys for the AES key-encrypting key..... 16
- 13. DES key-generating keys..... 16
- 14. AES key-generating keys..... 16
- 15. DES cryptographic variable keys..... 17
- 16. DES secure messaging keys..... 17
- 17. AES secure messaging keys..... 17
- 18. RSA keys..... 18
- 19. ECC keys..... 18
- 20. Trusted blocks..... 18
- 21. PCF and CUSP and their corresponding ICSF key types..... 21
- 22. AES EXPORTER strength required for exporting an HMAC key under an AES EXPORTER..... 22
- 23. Minimum RSA modulus length to adequately protect an AES key..... 22

24. Methods for entering each key type into the CKDS.....	33
25. Key Store Policy controls.....	37
26. Key Store Policy controls: The Key Token Authorization Checking controls.....	40
27. Key Store Policy controls: The Default Key Label Checking controls.....	41
28. Key Store Policy controls: The Duplicate Key Token Checking controls.....	42
29. Increased access authority required to modify key labels when Granular Key Label Access control is enabled.....	43
30. Key Store Policy controls: The Granular Key Label Access controls.....	44
31. Key Store Policy controls: The Symmetric Key Label Export controls.....	45
32. Keyword settings for symmetric key export using the ICSF segment's SYMEXPORTABLE field.....	49
33. Key Store Policy controls: The PKA Key Management Extensions controls.....	53
34. Metadata tag usage.....	73
35. Resource names for ICSF TSO panels, utilities, and compatibility services for PCF macros.....	78
36. Cryptographic coprocessors and master keys.....	95
37. Cryptographic adapter identification.....	95
38. Key types.....	176
39. Default and optional OUTTYPES allowed for each key TYPE.....	178
40. DES key types and supported key lengths.....	182
41. Usage values for key types.....	184
42. Meaning of usage values.....	187
43. Complementary key-usage values for AES CIPHER.....	190
44. Complementary key-usage values for AES MAC.....	190
45. Management values for key types.....	191
46. Meaning of management values.....	192
47. Values by type for DKYGENKYUSAGE.....	193
48. Meaning of usage values.....	194

49. Complementary values for usage values.....	195
50. Keyword Combinations Permitted in ADD and UPDATE Control Statements for DES Keys.....	195
51. Keyword Combinations Permitted in ADD and UPDATE Control Statements for AES Keys.....	196
52. Data Set Name Options.....	217
53. Selecting range and label options.....	223
54. Selecting the Transport Key Label and Clear Key Label Options.....	224
55. Cryptographic adapter identification.....	243
56. General ICSF Exits and Exit Identifiers.....	281
57. Compatibility Service and its Exit Identifier.....	282
58. DES control vector key attributes.....	338
59. DES control vector deprecated key attributes.....	340
60. DES control vector key management attributes.....	341
61. PKDS key attributes.....	362
62. PKDS Key Attributes.....	386
63. Token access levels.....	398
64. Resources in the CSFSERV class for token services.....	398
65. Information displayed in Public Key Object Details panel for RSA, DSA, Diffie-Hellman, Elliptic Curve, and SM2 keys.....	431
66. Information displayed in Private Key Object Details panel for RSA, DSA, Diffie-Hellman, Elliptic Curve, and SM2 keys.....	435
67. Information displayed in Domain Parameters Object Details panel for DSA and Diffie-Hellman domain parameters.....	437
68. CKDS information from CSFDUTIL.....	455
69. PKDS information from CSFDUTIL.....	456
70. CoProcessor/Master Key scenario.....	468
71. Coprocessor/Master Key configuration on a pre-FMID HCR7780 system.....	474
72. Coprocessor/Master Key configuration on a FMID HCR7780, HCR7790, or HCR77A0 release of ICSF.....	475

73. Default Control Vector Values.....	489
74. Planning LPARs domain and cryptographic coprocessor.....	499
75. Access control points and associated utilities.....	501
76. Callable services and parameters affected by key store policy.....	503
77. Callable services that are affected by the no duplicates key store policy controls.....	510
78. Key Store Policy (KSP) and Enhanced Keylabel Access Control interactions (label).....	510
79. Key Store Policy (KSP) and Enhanced Keylabel Access Control interactions (token).....	510
80. Callable services and parameters that trigger reference date processing.....	513
81. Resource names for CCA and ICSF entry points.....	523

## About this information

---

This information describes how to manage cryptographic keys by using the z/OS Integrated Cryptographic Service Facility (ICSF), which is part of z/OS Cryptographic Services. The z/OS Cryptographic Services include these components:

- z/OS Integrated Cryptographic Service Facility (ICSF)
- z/OS System Secure Socket Level Programming (SSL)
- z/OS Public Key Infrastructure Services (PKI)

ICSF is a software product that works with the hardware cryptographic feature and the z/OS Security Server (RACF element) to provide secure, high-speed cryptographic services in the z/OS environment. ICSF provides the application programming interfaces by which applications request the cryptographic services. The cryptographic coprocessor is secure, high-speed hardware that performs the actual cryptographic functions. The cryptographic feature available to your applications depends on the server or processor hardware.

References to the IBM zEnterprise 114 do not appear in this information. Be aware that the documented notes and restrictions for the IBM zEnterprise 196 also apply to the IBM zEnterprise 114.

## ICSF Features

---

ICSF enhances z/OS security as follows:

- It ensures data privacy by encrypting and decrypting the data.
- It manages personal identification numbers (PINs).
- It ensures the integrity of data through the use of modification detection codes (MDCs), hash functions, or digital signatures.
- It ensures the privacy of cryptographic keys themselves by encrypting them under a master key or another key-encrypting key.
- It enforces AES and DES key separation, which ensures that cryptographic keys are used only for their intended purposes.
- It enhances system availability by providing continuous operation.
- It enables the use of Rivest-Shamir-Adelman (RSA) and Elliptic Curve Cryptography (ECC) public and private keys on a multi-user, multi-application platform.
- It provides the ability to generate RSA and ECC key pairs within the secure hardware boundary of the cryptographic hardware features.

Resource Access Control Facility (RACF), an element of z/OS can be used to control access to cryptographic keys and functions.

This information explains the basic concepts of protecting and managing the keys used in cryptographic functions. It provides step-by-step guidance for the ICSF administration tasks.

## Who should use this information

---

This information is intended for anyone who manages cryptographic keys. Usually, this person is the ICSF administrator.

The ICSF administrator performs these major tasks:

- Entering and changing master keys
- Generating, entering, and updating cryptographic keys
- Viewing system status, which includes hardware status, installation options, installation exits, and installation services

## How to use this information

---

The first six topics give you background information you need to manage cryptographic keys on ICSF.

- [Chapter 1, “Introduction,” on page 1](#) gives a brief introduction to the role of cryptography in data security. It describes the cryptographic algorithms that ICSF supports and discusses the importance of key secrecy.
- [Chapter 2, “Understanding cryptographic keys,” on page 9](#) describes how ICSF protects keys and controls their use. It also describes the types of keys and how ICSF protects data and keys within a system and outside a system.
- [Chapter 3, “Managing cryptographic keys,” on page 29](#) describes how to manage keys with ICSF. It introduces how to generate or enter, maintain, and distribute keys using ICSF. It also describes how to use keys to distribute keys and PINs between systems.
- [Chapter 4, “Setting up and maintaining cryptographic key data sets,” on page 65](#) introduces the cryptographic key data sets for ICSF. It also describes metadata that can be used in managing keys and objects.
- [Chapter 5, “Controlling who can use cryptographic keys and services,” on page 75](#) describes how you can control access to, and use of, cryptographic keys and services.
- [Chapter 6, “Monitoring users and jobs that perform cryptographic operations,” on page 85](#) describes how you can use crypto usage tracking on applications and components that invoke ICSF services.

The remaining topics describe how to use the ICSF panels to manage cryptographic keys and also to view system status. Each topic gives background information about a major task and leads you through the panels, step-by-step, for the task.

- [Chapter 7, “Using the pass phrase initialization utility,” on page 87](#) discusses pass phrase initialization and gives step-by-step instructions on how to get your cryptographic system up and running quickly. The pass phrase initialization utility allows you to install the necessary master keys on cryptographic coprocessors, and initialize the CKDS and PKDS with a minimal effort.
- [Chapter 8, “Managing CCA Master Keys,” on page 93](#) describes how to enter, activate, and manage master keys with the CCA cryptographic coprocessors.
- [Chapter 9, “Managing PKCS #11 master keys,” on page 141](#) describes how to manage master keys for the Enterprise PKCS #11 (EP11) coprocessors.
- [Chapter 11, “Key management on systems without coprocessors,” on page 151](#), describes how to manage clear AES and DES DATA keys on a system that does not have any cryptographic coprocessors or accelerators.
- [Chapter 12, “Running in a Sysplex Environment,” on page 155](#), describes various considerations when sharing the CKDS, PKDS, and TKDS in a sysplex environment.
- [Chapter 13, “Managing Cryptographic Keys Using the Key Generator Utility Program,” on page 167](#), describes how to use the *key generator utility program* (KGUP). The program generates keys and stores them in the *cryptographic key data set* (CKDS).
- [Chapter 14, “Viewing and Changing System Status,” on page 243](#), describes how to display information about parts of ICSF that your installation can specify and change. It describes how to use the panels to display installation options, hardware status, cryptographic processor status, installation exits, and installation-defined services.
- [Chapter 15, “Managing User Defined Extensions ,” on page 285](#), describes how to use panels to manage your own cryptographic callable service.
- [Chapter 16, “Using the Utility Panels to Encode and Decode Data,” on page 287](#), describes how to use utility panels to encipher and decipher data with a key that is not enciphered.
- [Chapter 17, “Using the utility panels to manage keys in the CKDS,” on page 289](#), describes how to use the CKDS KEYS option on the ICSF utilities panel to manage records in the CKDS.
- [Chapter 18, “Using the utility panels to manage keys in the PKDS,” on page 343](#), describes how to use the PKDSKEYS option on the ICSF utilities panel to provide PKDS key management capability.



- Chapter 19, “Using PKCS11 Token Management Utility,” on page 397, describes how to use the PKCS11 TOKEN option on the ICSF utilities panel to provide TKDS key management capability.
- Chapter 20, “Using the ICSF Utility Program CSFEUTIL,” on page 439, describes how to use the CSFEUTIL utility program to change master keys and refresh or reencipher the CKDS.
- Chapter 21, “Using the ICSF Utility Program CSFPUTIL,” on page 449, describes how to use the CSFPUTIL utility program to reencipher and refresh a PKDS.
- Chapter 22, “Using the ICSF Utility Program CSFDUTIL,” on page 455 describes how to use the CSFDUTIL utility program to check the CKDS and PKDS for duplicate key tokens.
- Chapter 23, “Rewrapping DES key token values in the CKDS using the utility program CSFCNV2,” on page 459, describes how to use the CSFCNV2 utility to rewrap encrypted tokens in the CKDS.
- Chapter 24, “Using ICSF health checks,” on page 463, describes a set of health checks that inform you of potential ICSF problems.
- Appendix A. Appendix A, “ICSF Panels,” on page 481
- Appendix B, “Control Vector Table,” on page 489, contains a table of the control vector values that are associated with each key type.
- Appendix C, “Supporting Algorithms and Calculations,” on page 493, shows algorithms that are used to calculate checksums, verification patterns, and other values.
- Appendix D, “PR/SM Considerations during Key Entry,” on page 499, discusses additional considerations when running in PR/SM logical partition mode.
- Appendix E, “CCA access control points and ICSF utilities,” on page 501 describes the access control points for controlling the utilities describe in this book.
- Appendix F, “Callable services affected by key store policy,” on page 503 lists the callable service parameters that are checked when key store policy is enabled.
- Appendix H, “Questionable (Weak) Keys,” on page 521, gives examples of questionable keys.

## Where to find more information

---

The publications in the z/OS ICSF library include:

- [\*z/OS Cryptographic Services ICSF Overview\*](#)
- [\*z/OS Cryptographic Services ICSF Administrator's Guide\*](#)
- [\*z/OS Cryptographic Services ICSF System Programmer's Guide\*](#)
- [\*z/OS Cryptographic Services ICSF Application Programmer's Guide\*](#)
- [\*z/OS Cryptographic Services ICSF Messages\*](#)
- [\*z/OS Cryptographic Services ICSF Writing PKCS #11 Applications\*](#)
- [\*z/OS Cryptographic Services ICSF TKE Workstation User's Guide\*](#)

These publications contain additional ICSF information:

- [\*z/OS MVS System Codes\*](#)

This publication describes the 18F abend code ICSF issues.

- [\*z/OS MVS Initialization and Tuning Guide\*](#)
- [\*z/OS MVS Initialization and Tuning Reference\*](#)
- [\*z/OS MVS Programming: Callable Services for High-Level Languages\*](#)
- [\*z/OS MVS Programming: Authorized Assembler Services Guide\*](#)
- [\*z/OS MVS Programming: Extended Addressability Guide\*](#)
- [\*z/OS MVS Programming: Authorized Assembler Services Reference ALE-DYN\*](#)
- [\*z/OS MVS Programming: Authorized Assembler Services Reference EDT-IXG\*](#)
- [\*z/OS MVS Programming: Authorized Assembler Services Reference LLA-SDU\*](#)

- [z/OS MVS Programming: Authorized Assembler Services Reference SET-WTO](#)
- [z/OS DFSMSdfp Storage Administration](#)
- [z/OS DFSMS Access Method Services Commands](#)
- z/OS in IBM Documentation, which may be selected from the z/OS Internet library ([www.ibm.com/servers/resourcelink/svc00100.nsf/pages/zosInternetLibrary](http://www.ibm.com/servers/resourcelink/svc00100.nsf/pages/zosInternetLibrary)).

## Related Publications

- *S/390 Support Element Operations Guide*, GC38-3108
- *z/990 PR/SM Planning Guide*, SB10-7036
- *zSeries Hardware Configuration Manager User's Guide*, SC33-7989
- *zSeries Hardware Management Console Operations*, SC28-6820
- *IBM Security Architecture: Securing the Open Client/Server Distributed Enterprise*, SC28-8135
- *VTAM in a Parallel Sysplex Environment*, SG24-2113
- *RSA's Frequently Asked Questions About Today's Cryptography*, available at [RSA \(www.rsa.com\)](http://www.rsa.com).
- *Applied Cryptography, Second Edition*, by Bruce Schneier, by Bruce Schneier, John Wiley & Sons, Inc.

Information for IBM PCIe Cryptographic Coprocessors is found at [CryptoCards \(www.ibm.com/security/cryptocards\)](http://www.ibm.com/security/cryptocards)

- CCA Basic Services Reference and Guide for the IBM 4767 and IBM 4765 PCIe Cryptographic Coprocessors

## IBM Crypto Education

The IBM Crypto Education ([community.ibm.com/community/user/ibmz-and-linuxone/groups/community-home?CommunityKey=6593e27b-caf6-4f6c-a8a8-10b62a02509c](http://community.ibm.com/community/user/ibmz-and-linuxone/groups/community-home?CommunityKey=6593e27b-caf6-4f6c-a8a8-10b62a02509c)) community provides detailed explanations and samples pertaining to IBM cryptographic technology.

# How to send your comments to IBM

---

We invite you to submit comments about the z/OS® product documentation. Your valuable feedback helps to ensure accurate and high-quality information.

**Important:** If your comment regards a technical question or problem, see instead [“If you have a technical problem”](#) on page xxxv.

Submit your feedback by using the appropriate method for your type of comment or question:

## **Feedback on z/OS function**

If your comment or question is about z/OS itself, submit a request through the [IBM RFE Community](#) ([www.ibm.com/developerworks/rfe/](http://www.ibm.com/developerworks/rfe/)).

## **Feedback on IBM® Documentation function**

If your comment or question is about the IBM Knowledge Center functionality, for example search capabilities or how to arrange the browser view, send a detailed email to IBM Documentation Support at [ibmkc@us.ibm.com](mailto:ibmkc@us.ibm.com).

## **Feedback on the z/OS product documentation and content**

If your comment is about the information that is provided in the z/OS product documentation library, send a detailed email to [mhvrcfs@us.ibm.com](mailto:mhvrcfs@us.ibm.com). We welcome any feedback that you have, including comments on the clarity, accuracy, or completeness of the information.

To help us better process your submission, include the following information:

- Your name, company/university/institution name, and email address
- The following deliverable title and order number: z/OS ICSF Administrator's Guide, SC14-7506-08
- The section title of the specific information to which your comment relates
- The text of your comment.

When you send comments to IBM, you grant IBM a nonexclusive authority to use or distribute the comments in any way appropriate without incurring any obligation to you.

IBM or any other organizations use the personal information that you supply to contact you only about the issues that you submit.

## If you have a technical problem

---

If you have a technical problem or question, do not use the feedback methods that are provided for sending documentation comments. Instead, take one or more of the following actions:

- Go to the [IBM Support Portal](#) ([support.ibm.com](http://support.ibm.com)).
- Contact your IBM service representative.
- Call IBM technical support.



## Summary of changes

---

ICSF is an element of z/OS, but provides independent ICSF releases as web deliverables. These web deliverables are identified by their FMID. Each release of z/OS includes a particular ICSF FMID level as part of its base.

ICSF publications can be obtained from:

- The [Resource Link home page \(www.ibm.com/servers/resourcelink\)](http://www.ibm.com/servers/resourcelink). (Select Publications and then select the release that you are interested in under ICSF Publications by FMID.)
- [IBM z/OS downloads \(www.ibm.com/systems/z/os/zos/downloads\)](http://www.ibm.com/systems/z/os/zos/downloads) for Cryptographic Support.

This document contains terminology, maintenance, and editorial changes to improve consistency and retrievability. Technical changes or additions to the text and illustrations are indicated by a vertical line to the left of the change.

## Changes made in Cryptographic Support for z/OS V2R2 - z/OS V2R3 (FMID HCR77D0)

---

This document contains information previously presented in *z/OS ICSF Administrator's Guide*, SC14-7506-07.

This document is for ICSF FMID HCR77D0. This release of ICSF runs on z/OS V2R2 and z/OS V2R3 and only on zSeries hardware.

The most recent updates are listed at the top of each section.

### New

- [“ICSF\\_PKCS\\_PSS\\_SUPPORT” on page 470 \(APAR OA56837\)](#).
- [“Setting up prefixed profiles in the CSFSERV and CSFKEYS general resource classes” on page 81](#)
- [“Setting up SAF conditional access control for the CSFKEYS general resource class” on page 83](#)
- [“Optional SAF checking for KGUP” on page 83](#)
- [“SAF requirements” on page 168](#)
- [“Auditing” on page 290](#)

### Changed

- [“Symmetric keys” on page 10 \(APAR OA57089\)](#)
- [“Protection of distributed keys” on page 23 \(APAR OA57089\)](#)
- [“Placing restrictions on exporting symmetric keys” on page 48 \(APAR OA57089\)](#)
- [“Displaying the attributes of a key in a KDSR format PKDS” on page 362 \(APAR OA57089\)](#)
- [“Displaying the attributes of a key in a non-KDSR format PKDS” on page 385 \(APAR OA57089\)](#)
- [Appendix F, “Callable services affected by key store policy,” on page 503 \(APAR OA57089\)](#)
- [Appendix G, “Callable services that trigger reference date processing,” on page 513 \(APAR OA57089\)](#)
- [“Determining access to tokens not stored in the CKDS or PKDS” on page 41](#)
- [“Setting up profiles in the CSFSERV general resource class” on page 77](#)
- [“Enabling use of encrypted keys in callable services that exploit CPACF” on page 82](#)
- [Chapter 13, “Managing Cryptographic Keys Using the Key Generator Utility Program,” on page 167](#)

- [“Syntax of the OPKYLOAD Control Statement” on page 203](#)
- [“Example 11: OPKYLOAD Control Statement” on page 207](#)
- [“Displaying installation options” on page 256](#)
- [“Displaying the EP11 domain roles” on page 278](#)
- [“Displaying a list of records from a KDSR format CKDS” on page 305](#)
- The PKDS KEYS utility on the Utilities panel has changed. See [Chapter 18, “Using the utility panels to manage keys in the PKDS,” on page 343](#) for details.
- [Chapter 19, “Using PKCS11 Token Management Utility,” on page 397](#)

## Deleted

No content was removed from this information.

## Changes made in Cryptographic Support for z/OS V2R1 - z/OS V2R3 (FMID HCR77C1)

---

This document contains information previously presented in *z/OS ICSF Administrator's Guide*, SC14-7506-06.

This document is for ICSF FMID HCR77C1. This release of ICSF runs on z/OS V2R1, V2R2, and V2R3 and only on zSeries hardware.

The most recent updates are listed at the top of each section.

## New

- Information about IBM z14 and IBM z14 ZR1.
- [“ICSF\\_PKCS\\_PSS\\_SUPPORT” on page 470 \(APAR OA56837\)](#).
- [“Regional cryptographic key \(RCE\) redirection” on page 61 \(APAR OA54132\)](#).
- [“CCA and RCE concurrence” on page 63 \(APAR OA54132\)](#).
- [Chapter 6, “Monitoring users and jobs that perform cryptographic operations,” on page 85](#).
- [Chapter 10, “CCA compliance,” on page 149](#).
- [“KGUP and PCI-HSM compliance” on page 173](#).
- [Chapter 17, “Using the utility panels to manage keys in the CKDS,” on page 289](#).

## Changed

- [“Symmetric keys” on page 10 \(APAR OA55184\)](#).
- [“DES keys” on page 19 \(APAR OA55184\)](#).
- [“DES key wrapping” on page 23 \(APAR OA55184\)](#).
- [“Placing restrictions on exporting symmetric keys” on page 48 \(APAR OA54346\)](#).
- [“Setting up profiles in the CSFSERV general resource class” on page 77 \(APAR OA55184\)](#).
- [“Syntax of the ADD and UPDATE control statements” on page 174 \(APAR OA55184 and APAR OA53817\)](#).
- [“Displaying a list of records from a KDSR format CKDS” on page 305 \(APAR OA55184\)](#).
- [“Key usage attributes” on page 338 \(APAR OA55184\)](#).
- [“Key management attributes” on page 341 \(APAR OA55184\)](#).

- Chapter 23, “Rewrapping DES key token values in the CKDS using the utility program CSFCNV2,” on page 459 (APAR OA55184).
- Appendix B, “Control Vector Table,” on page 489 (APAR OA55184).
- Appendix F, “Callable services affected by key store policy,” on page 503 (APAR OA55184).
- Appendix G, “Callable services that trigger reference date processing,” on page 513 (APAR OA55184).
- “Encrypted key support for Crypto Assist instructions” on page 31.
- “Setting up profiles in the CSFSERV general resource class” on page 77.
- “Enabling use of encrypted keys in callable services that exploit CPACF” on page 82.
- “Syntax of the ADD and UPDATE control statements” on page 174.
- “Displaying coprocessor hardware status” on page 248.
- “Displaying installation options” on page 256.
- Appendix F, “Callable services affected by key store policy,” on page 503.

## Deleted

The PPKEYS utility has been removed.

## Changes made in Cryptographic Support for z/OS V2R1 - z/OS V2R2 (FMID HCR77C0)

---

This document contains information previously presented in *z/OS ICSF Administrator's Guide*, SC14-7506-05.

This document is for ICSF FMID HCR77C0. This release of ICSF runs on z/OS z/OS V2R1 and z/OS V2R2 and only on zSeries hardware.

The most recent updates are listed at the top of each section.

## New

- Information about key fingerprints.
- “[ICSF\\_OPTIONS\\_CHECKS](#)” on page 469 health check.
- “[ICSF\\_UNSUPPORTED\\_CCA\\_KEYS](#)” on page 471 health check.

## Changed

- “[Placing restrictions on exporting symmetric keys](#)” on page 48 was updated (APAR OA54346).
- “[Syntax of the ADD and UPDATE control statements](#)” on page 174 was updated (APAR OA53817 KGUP).
- “[Encrypted key support for Crypto Assist instructions](#)” on page 31 was updated.
- “[Enabling use of encrypted keys in callable services that exploit CPACF](#)” on page 82 was updated.
- Appendix F, “[Callable services affected by key store policy](#),” on page 503 was updated.
- “[Setting up and maintaining the cryptographic key data set \(CKDS\)](#)” on page 65 was updated.
- “[Setting up and maintaining the public key data set \(PKDS\)](#)” on page 67 was updated.
- “[Variable-length metadata blocks](#)” on page 72 was updated.
- “[Setting up profiles in the CSFSERV general resource class](#)” on page 77 was updated.
- “[Enabling use of encrypted keys in callable services that exploit CPACF](#)” on page 82 was updated.
- “[Displaying installation options](#)” on page 256 was updated.

## Deleted

No content was removed from this information.

## Changes made in Cryptographic Support for z/OS V1R13 - z/OS V2R2 (FMID HCR77B1)

---

This document contains information previously presented in *z/OS ICSF Administrator's Guide*, SC14-7506-03.

This document is for ICSF FMID HCR77B1. This release of ICSF runs on z/OS V1R13, z/OS V2R1, and z/OS V2R2 and only on zSeries hardware.

The most recent updates are listed at the top of each section.

### New

- Updated to include information about IBM z13s.
- Added information about the Encrypted PIN Translate Enhanced and Key Encryption Translate services.
- Added information about regional cryptographic servers.
- [“Regional cryptographic servers” on page 4](#) is new.
- [“Regional cryptographic operational keys” on page 18](#) is new.
- [“Managing regional cryptographic keys” on page 60](#) is new.
- [“Regional cryptographic server master key” on page 60](#) is new.
- CSFCMP00 - ICSF Coprocessor Management panel has been modified in [“Displaying the EP11 domain roles” on page 278](#).
- [“ICSF Primary Menu panel” on page 481](#) has been modified.
- [“CSFCMP00 – Coprocessor Management panel” on page 484](#) has been modified.
- [Appendix G, “Callable services that trigger reference date processing,” on page 513](#) is new.

### Changed

- Terminology changed from open cryptographic services to regional cryptographic services.
- [“Setting up and maintaining the token data set \(TKDS\)” on page 69](#) was updated.
- [“Setting up profiles in the CSFSERV general resource class” on page 77](#) was updated with information on the six new EMV services.
- Chapter 9, [“Managing PKCS #11 master keys,” on page 141](#) was updated.
- [“Displaying administrative control functions” on page 244](#) was updated.
- [“Displaying cryptographic coprocessor status” on page 245](#) was updated.
- [“Changing coprocessor or accelerator status” on page 247](#) was updated.
- [“Displaying coprocessor hardware status” on page 248](#) was updated.
- [“Displaying installation options” on page 256](#) was updated.
- [“Display CCA domain roles” on page 268](#) was updated.
- [“Secret Key Object Details panel” on page 427](#) was updated.
- [Appendix F, “Callable services affected by key store policy,” on page 503](#) was updated with information on the six new EMV services.



## Deleted

No content was removed from this information.



---

# Chapter 1. Introduction

In today's business environment, data is one of the most valuable resources that is required for maintaining a competitive edge. As a result, businesses must often be able to maintain data secrecy, readily determine the authenticity of data, and closely control access to data.

Data systems commonly consist of many types and sizes of computer systems that are interconnected through many different electronic data networks. It is now common for an organization to interconnect its data systems with systems that belong to customers, vendors, and competitors. Larger organizations might include international operations, or they might provide continual services. As the Internet becomes the basis for electronic commerce and as more businesses automate their data processing operations, the potential for disclosing sensitive data to unauthorized persons increases. As a result, approaches to data security must provide:

- Common services for each computing environment
- Support for national and international standards
- Graduated degrees of support
- Flexibility to work with existing and emerging systems
- Management of the increased risks to data assets

A combination of elements must work together to achieve a more secure environment. To provide a foundation for a secure environment, a security policy should be based on the following:

- An appraisal of the value of data
- An analysis of the potential threats to that data

---

## The Tasks of a Data Security System

To help you select the products and services that you need to put a data security policy into effect, IBM has categorized these security functions. These functions are based on the International Organization for Standardization (ISO) standard 7498-2:

- **Identification and authentication**—identifies users to the system and provides proof that they are who they claim to be.
- **Access control**—determines which users can access which resources.
- **Data confidentiality**—protects an organization's sensitive data from being disclosed to unauthorized individuals.
- **Data integrity**—ensures that data is in its original and unaltered form.
- **Security management**—administers, controls, and reviews a business security policy.
- **Nonrepudiation**—assures that a message sender cannot deny later that he or she sent the message.

The z/OS Integrated Cryptographic Service Facility (ICSF) provides a cryptographic application programming interface that you can use along with your system's cryptographic feature to put these functions into effect in your data security policy.

---

## The Role of Cryptography in Data Security

Cryptography includes a set of techniques for scrambling or disguising data so that it is available only to someone who can restore the data to its original form. In current computer systems, cryptography provides a strong, economical basis for keeping data secret and for verifying data integrity.

ICSF supports these two main types of cryptographic processes:

- Symmetric algorithms, in which the same key value is used in both the encryption and decryption calculations

- Asymmetric algorithms, in which a different key is used in the decryption calculation than was used in the encryption calculation

## Symmetric Cryptography

ICSF supports the following symmetric cryptography algorithms: The Data Encryption Algorithm and the Advanced Encryption Standard.

### The Data Encryption Algorithm and the Data Encryption Standard

For commercial business applications, the cryptographic process that is known as the Data Encryption Algorithm (DEA)<sup>1</sup> has been widely adopted. The Data Encryption Standard (DES), as well as other documents, defines how to use the DES algorithm to encipher data. The Data Encryption Standard is the basis for many other processes for concealing data, such as protection of passwords and personal identification numbers (PINs). DES uses a key to vary the way that the algorithm processes the data. DES data-encrypting keys can be single-, double-, or triple-length. A single-length DES key is a 56-bit piece of data that is normally retained in 8 bytes of data. Each eighth bit of the key data is designated as a parity bit. A symmetric cryptographic system uses the same key both to transform the original data (plaintext) to its disguised, enciphered form (ciphertext) and to return it to its plaintext form.

The DES algorithm, which has been proven to be efficient and strong, is widely known. For this reason, data security is dependent on maintaining the secrecy of the cryptographic keys. Because the DES algorithm is common knowledge, you must keep the key secret to ensure that the data remains secret. Otherwise, someone who has the key that you used to encipher the data would be able to decipher the data. Key management refers to the procedures that are used to keep keys secret.

When you want someone to be able to confirm the integrity of your data, you can use the DES algorithm to compute a message authentication code (MAC). When used in this way, the DES algorithm is a powerful tool. It is almost impossible to meaningfully change the data and still have it produce the same MAC for a given key. The standardized approaches authenticate data such as financial transactions, passwords, and computer programs.

The originator of the data sends the computed MAC with the data. To authenticate the data, the receiver uses the DES algorithm to recompute the MAC. The receiver's application then compares this result with the MAC that was sent with the data. Someone could, of course, change both the data and the MAC. Therefore, the key that is used to compute the MAC must be kept a secret between the MAC's originator and the MAC's authenticator.

An alternative approach to data-integrity checking uses a standard key value and multiple iterations of the DES algorithm to generate a modification detection code (MDC). In this approach to data-integrity checking, the MDC must be received from a trusted source. The person who wants to authenticate the data recomputes the MDC and compares the result with the MDC that was sent with the data.

### Advanced Encryption Standard

ICSF supports the Advanced Encryption Standard algorithm for data privacy. This provides strong encryption. Key lengths of 128-bits, 192-bits and 256-bits are supported. Secure key AES is available if running on an IBM System z9 EC, z9 BC, or later with the Nov. 2008 or later licensed internal code (LIC).

## Asymmetric Algorithm or Public Key Cryptography

In an asymmetric cryptographic process one key is used to encipher the data, and a different but corresponding key is used to decipher the data. A system that uses this type of process is known as a public key system. The key that is used to encipher the data is widely known, but the corresponding key for deciphering the data is a secret. For example, many people can use your public key to send enciphered data to you with confidence, knowing that only you should possess the secret key for deciphering the data.

---

<sup>1</sup> The Data Encryption Algorithm is often referred to as the DEA, the DES algorithm or just as DES. This information uses the term DES to refer to this algorithm.

Public key cryptographic algorithms are used in processes that simplify the distribution of secret keys, assuring data integrity and provide nonrepudiation through the use of digital signatures.

The widely known and tested public key algorithms use a relatively large key. The resulting computer processing time makes them less than ideal for data encryption that requires a high transaction rate. Public key systems, therefore, are often restricted to situations in which the characteristics of the public key algorithms have special value, such as digital signatures or key distribution. PKA calculation rates are fast enough to enable the common use of digital signatures.

ICSF supports these public key algorithms:

- Rivest-Shamir-Adelman (RSA)
- Elliptic Curve Digital Signature Algorithm (ECDSA)

## The RSA Public Key Algorithm

The Rivest-Shamir-Adelman (RSA)<sup>2</sup> public key algorithm is based on the difficulty of the factorization problem. The factorization problem is to find all prime numbers of a given number,  $n$ . When  $n$  is sufficiently large and is the product of a few large prime numbers, this problem is believed to be difficult to solve. For RSA,  $n$  is typically at least 512 bits, and  $n$  is the product of two large prime numbers. The ISO 9796 standard and provide more information about the RSA public key algorithm.

## Elliptic Curve Digital Signature Algorithm (ECDSA)

The ECDSA algorithm uses elliptic curve cryptography (an encryption system based on the properties of elliptic curves) to provide a variant of the Digital Signature Algorithm.

## Cryptographic Hardware Features supported by z/OS ICSF

---

The cryptographic hardware available to your applications depends on your processor or server model. z/OS ICSF supports this hardware:

### Crypto Express6 adapter (CEX6A, CEX6C or CEX6P)

- available on IBM z14 and z14 ZR1.
- contains one cryptographic engine that can be configured as a CCA cryptographic coprocessor (CEX6C), as an accelerator (CEX6A), or as a PKCS #11 cryptographic coprocessor (CEX6P).

### Crypto Express5 adapter (CEX5A, CEX5C or CEX5P)

- available on IBM z13, z13s, z14, and z14 ZR1.
- contains one cryptographic engine that can be configured as a CCA cryptographic coprocessor (CEX5C), as an accelerator (CEX5A), or as a PKCS #11 cryptographic coprocessor (CEX5P).

### Crypto Express4 adapter (CEX4A, CEX4C or CEX4P)

- available on IBM zEnterprise BC12 and EC12.
- contains one cryptographic engine that can be configured as a CCA coprocessor (CEX4C), PKCS #11 coprocessor (CEX4P) or as an accelerator (CEX4A).

### Crypto Express3 adapter (CEX3C or CEX3A)

- available on IBM System z10 Enterprise Class, IBM System z10 Business Class, IBM zEnterprise 196, IBM zEnterprise 114, IBM zEnterprise EC12 and IBM zEnterprise BC12.

---

<sup>2</sup> Invented in 1977 by Ron Rivest, Adi Shamir, and Leonard Adelman

- contains two cryptographic engines that can be independently configured as a coprocessor (CEX3C) or as an accelerator (CEX3A)

## **Crypto Express2 adapter (CEX2C or CEX2A)**

- available on IBM System z9 Enterprise Class, IBM System z9 Business Class, IBM System z10 Enterprise Class and IBM System z10 Business Class
- contains two cryptographic engines that can be independently configured as a coprocessor (CEX2C) or as an accelerator (CEX2A)
- provides support for clear keys in the CSNDDSV, CSNDPKD, and CSNDPKE callable services for better performance
- enables maximum SSL performance

## **CP Assist for Cryptographic Functions (CPACF)**

CPACF is a set of cryptographic instructions providing improved performance. The servers support different algorithms:

- on the IBM System z9 Enterprise Class and IBM System z9 Business Class
  - SHA-1 algorithm is available
  - SHA-224 and SHA-256 algorithms are available
  - AES algorithm using 128-bit length keys is available
- on IBM System z10 Enterprise Class, z10 Business Class, IBM zEnterprise 196, IBM zEnterprise 114 and later
  - SHA-1 algorithm is available
  - SHA-224, SHA-256, SHA-384 and SHA-512 algorithms are available
  - AES algorithm using 128-, 192-, and 256-bit keys is available

## **CP Assist for Cryptographic Functions (CPACF) DES/TDES Enablement**

CP Assist for Cryptographic Functions (CPACF) DES/TDES Enablement, feature 3863, provides for clear key DES and TDES instructions.

If you want to include cryptographic hardware, then feature 3863 is required.

If the CPACF feature is installed without the cryptographic hardware, you will not be able to:

1. Set master keys.
2. Initialize the PKDS or CKDS.
3. Store keys in the PKDS.

## **Regional cryptographic servers**

Regional cryptographic servers are network-attached, standalone devices or dedicated Linux LPARs that perform geography-specific cryptography. These servers are secure key hardware security modules (HSMs) that operate similar to IBM's PKCS #11 secure coprocessors (CEX $n$ P). They are marketed and serviced by third party vendors. Currently, the only geography-specific cryptography supported by these devices is the Chinese SMx family of algorithms. Secure keys are stored in the TKDS, protected by the Regional Cryptographic Server Master Key (RCS-MK).

The network-attached, stand-alone devices require no particular zSeries hardware, but do require communicating with z/OS V1R13 or later and ICSF FMID HCR77B1 or later. ICSF communicates with these devices using TCP/IP, with optional TLS protection. The Linux LPARs require IBM z13 or later hardware. ICSF communicates with the Linux LPARs using TCP/IP, with TLS protection required.

Once configured and online, ICSF makes the algorithms offered by these devices available as PKCS #11 vendor-defined extensions. For information on configuring these devices, see 'Adding and removing

regional cryptographic servers' in *z/OS Cryptographic Services ICSF System Programmer's Guide*. For information on the algorithms offered, see *z/OS Cryptographic Services ICSF Writing PKCS #11 Applications* and *z/OS Cryptographic Services ICSF Application Programmer's Guide*.

## Identification of cryptographic features

Starting in ICSF FMID HCR77B0, the prefix used to identify Crypto Express2, Crypto Express3, and Crypto Express4 adapters has changed. The following table lists the prefix for these adapters for FMIDs prior to HCR77B0 and the prefix for these adapters for FMID HCR77B0 and later releases. This change applies to ICSF messages, panels, and publications. The TKE workstation uses this same identification starting with TKE release 8.0.

*Table 1. Cryptographic adapter identification*

Cryptographic adapter	Prefix for FMIDs prior to HCR77B0	Prefix for FMID HCR77B0 and later
Crypto Express2 coprocessor	E	2C
Crypto Express2 accelerator	F	2A
Crypto Express3 coprocessor	G	3C
Crypto Express3 accelerator	H	3A
Crypto Express4 CCA coprocessor	SC	4C
Crypto Express4 EP11 coprocessor	SP	4P
Crypto Express4 accelerator	SA	4A

**Note:** All newer cryptographic adapters use the convention where *n* is the number in the adapter name. For regional cryptographic servers, *n* represents the generation number of the server:

**nA**

Crypto Express<sub>n</sub> accelerators.

**nC**

Crypto Express<sub>n</sub> CCA coprocessors.

**nP**

Crypto Express<sub>n</sub> EP11 coprocessors.

**nR**

Regional cryptographic servers. Note: 2R requires ICSF FMID HCR77B1 with PTF OA49069 or later.

## Managing Crypto Express2 adapters on an IBM System z9 EC, z9 BC, z10 EC, and z10 BC

The Crypto Express2 adapter can be configured as a coprocessor for secure key operation or as an accelerator for clear key RSA operations. The ability to change the configuration of the Crypto Express2 adapter allows the administrator to change the Crypto Express2 to meet the site's processing needs. If master keys have been loaded into the registers on the Crypto Express2 adapter, the master keys will be not be zeroized when the configuration is changed.

The Crypto Express2 is configured from the support element. See *Support Element Operations Guide*, SC28-6820, for details.

When changing the configuration:

- The coprocessor/accelerator must be deactivated on all partitions using that coprocessor/accelerator. From a z/OS System, you can do this using the ICSF coprocessor management panel or by issuing the SETICSF DEACTIVATE console command if your system is running ICSF FMID HCR77B1 or later. This

allows any existing work queued to the coprocessor/accelerator to complete and prevents new work from being enqueued.

- When the configuration change is complete (please allow sufficient time for the support element to complete the change), the coprocessor/accelerator can be activated on the ICSF coprocessor management panel or by issuing the SETICSF ACTIVATE console command if your system is running ICSF FMID HCR77B1 or later. If the support element has not completed the change when a coprocessor/accelerator is activated, the status will be 'busy'.
- Coprocessors with valid master keys will become active and will be used to process work. Coprocessors without valid master keys will need to have a master key loaded. Accelerators will become active and will be used to process work.

## Managing Crypto Express3 adapters on an IBM System z10 EC, z10 BC, IBM zEnterprise 196, 114, BC12 and EC12

The Crypto Express3 adapter can be configured as a coprocessor for secure key operation or as an accelerator for clear key RSA operations. The ability to change the configuration of the Crypto Express3 adapter allows the administrator to change the Crypto Express3 to meet the site's processing needs. If master keys have been loaded into the registers on the Crypto Express3 adapter, the master keys will be not be zeroized when the configuration is changed.

The Crypto Express3 is configured from the support element. See *Support Element Operations Guide*, SC28-6820, for details.

When changing the configuration:

- The coprocessor/accelerator must be deactivated on all partitions using that coprocessor/accelerator. From a z/OS System, you can do this using the ICSF coprocessor management panel or by issuing the SETICSF DEACTIVATE console command if your system is running ICSF FMID HCR77B1 or later. This allows any existing work queued to the coprocessor/accelerator to complete and prevents new work from being enqueued.
- When the configuration change is complete (please allow sufficient time for the support element to complete the change), the coprocessor/accelerator can be activated on the ICSF coprocessor management panel or by issuing the SETICSF ACTIVATE console command if your system is running ICSF FMID HCR77B1 or later. If the support element has not completed the change when a coprocessor/accelerator is activated, the status will be 'busy'.
- Coprocessors with valid master keys will become active and will be used to process work. Coprocessors without valid master keys will need to have a master key loaded. Accelerators will become active and will be used to process work.

## Managing Crypto Express4 adapters on an IBM zEnterprise BC12, EC12, z13, and z13s

The Crypto Express4 adapter can be configured as a coprocessor for secure key operation or as an accelerator for clear key RSA operations. If configured as a coprocessor, it may be configured for CCA or PKCS #11. When configured as the latter, it is known as an Enterprise PKCS #11 coprocessor.

The Crypto Express4 adapter's configuration may be switched from a CCA coprocessor to an accelerator and back without undergoing zeroization. If master keys have been loaded into the registers on the Crypto Express4 adapter, the master keys will not be zeroized when the configuration is changed.

**Note:** This is not true for the Enterprise PKCS #11 coprocessor configuration. A switch from CCA or accelerator to PKCS #11 will result in the zeroization of the CCA master keys (DES, AES, RSA, and ECC) and settings. A switch from PKCS #11 to CCA or accelerator will result in the zeroization of the P11 master key and settings.

The Crypto Express4 is configured from the support element. See *Support Element Operations Guide*, SC28-6820, for details.

When changing the configuration:



- The coprocessor/accelerator must be deactivated on all partitions using that coprocessor/accelerator. From a z/OS System, you can do this using the ICSF coprocessor management panel or by issuing the SETICSF DEACTIVATE console command if your system is running ICSF FMID HCR77B1 or later. This allows any existing work queued to the coprocessor/accelerator to complete and prevents new work from being enqueued.
- When the configuration change is complete (please allow sufficient time for the support element to complete the change), the coprocessor/accelerator can be activated on the ICSF coprocessor management panel or by issuing the SETICSF ACTIVATE console command if your system is running ICSF FMID HCR77B1 or later. If the support element has not completed the change when a coprocessor/accelerator is activated, the status will be 'busy'.
- Coprocessors with valid master keys will become active and will be used to process work. Coprocessors without valid master keys will need to have a master key loaded. Accelerators will become active and will be used to process work.

## Managing Crypto Express5 adapters on an IBM z13 and z13s

The Crypto Express5 adapter can be configured as a coprocessor for secure key operation or as an accelerator for clear key RSA operations. If configured as a coprocessor, it may be configured for CCA or PKCS #11. When configured as the latter, it is known as an Enterprise PKCS #11 coprocessor.

The Crypto Express5 adapter's configuration may be switched from a CCA coprocessor to an accelerator and back without undergoing zeroization. If master keys have been loaded into the registers on the Crypto Express5 adapter, the master keys will not be zeroized when the configuration is changed.

**Note:** This is not true for the Enterprise PKCS #11 coprocessor configuration. A switch from CCA or accelerator to PKCS #11 will result in the zeroization of the CCA master keys (DES, AES, RSA, and ECC) and settings. A switch from PKCS #11 to CCA or accelerator will result in the zeroization of the P11 master key and settings.

The Crypto Express5 is configured from the support element. See *Support Element Operations Guide*, SC28-6820, for details.

When changing the configuration:

- The coprocessor/accelerator must be deactivated on all partitions using that coprocessor/accelerator. From a z/OS System, you can do this using the ICSF coprocessor management panel or by issuing the SETICSF DEACTIVATE console command if your system is running ICSF FMID HCR77B1 or later. This allows any existing work queued to the coprocessor/accelerator to complete and prevents new work from being enqueued.
- When the configuration change is complete (please allow sufficient time for the support element to complete the change), the coprocessor/accelerator can be activated on the ICSF coprocessor management panel or by issuing the SETICSF ACTIVATE console command if your system is running ICSF FMID HCR77B1 or later. If the support element has not completed the change when a coprocessor/accelerator is activated, the status will be 'busy'.
- Coprocessors with valid master keys will become active and will be used to process work. Coprocessors without valid master keys will need to have a master key loaded. Accelerators will become active and will be used to process work.

## Managing Crypto Express6 adapters on an IBM z14 and z14 ZR1

The Crypto Express6 adapter can be configured as a coprocessor for secure key operation or as an accelerator for clear key RSA operations. If configured as a coprocessor, it may be configured for CCA or PKCS #11. When configured as the latter, it is known as an Enterprise PKCS #11 coprocessor.

The Crypto Express6 adapter's configuration may be switched from a CCA coprocessor to an accelerator and back without undergoing zeroization. If master keys have been loaded into the registers on the Crypto Express6 adapter, the master keys will not be zeroized when the configuration is changed.

**Note:** This is not true for the Enterprise PKCS #11 coprocessor configuration. A switch from CCA or accelerator to PKCS #11 will result in the zeroization of the CCA master keys (DES, AES, RSA, and ECC)

and settings. A switch from PKCS #11 to CCA or accelerator will result in the zeroization of the P11 master key and settings.

The Crypto Express6 is configured from the support element. See *Support Element Operations Guide*, SC28-6820, for details.

When changing the configuration:

- The coprocessor/accelerator must be deactivated on all partitions using that coprocessor/accelerator. From a z/OS System, you can do this using the ICSF coprocessor management panel or by issuing the SETICSF DEACTIVATE console command if your system is running ICSF FMID HCR77C0 or later. This allows any existing work queued to the coprocessor/accelerator to complete and prevents new work from being enqueued.
- When the configuration change is complete (please allow sufficient time for the support element to complete the change), the coprocessor/accelerator can be activated on the ICSF coprocessor management panel or by issuing the SETICSF ACTIVATE console command if your system is running ICSF FMID HCR77C0 or later. If the support element has not completed the change when a coprocessor/accelerator is activated, the status will be 'busy'.
- Coprocessors with valid master keys will become active and will be used to process work. Coprocessors without valid master keys will need to have a master key loaded. Accelerators will become active and will be used to process work.

## Strength of Hardware Cryptography

Cryptographic algorithms can be implemented in both software and specialized hardware. A hardware solution is often desirable because it provides these advantages:

- More secure protection to maintain the secrecy of keys
- Greater transaction rates

If a data security threat comes from an external source, a software implementation of the cryptographic algorithm might be sufficient. Unfortunately, however, much fraud originates with individuals within the organization (insiders). As a result, specialized cryptographic hardware can be required to protect against both insider and outsider data security threats. Well-designed hardware can:

- Ensure the security of cryptographic keys
- Ensure the integrity of the cryptographic processes
- Limit the key-management activities to a well-defined and carefully controllable set of services

## The Role of Key Secrecy in Data Security

---

In both the symmetric key and asymmetric key algorithms, no practical means exists to identically cipher data without knowing the cryptographic key. Therefore, it is essential to keep a key secret at a cryptographic node. In real systems, however, this often does not provide sufficient protection. If adversaries have access to the cryptographic process and to certain protected keys, they could possibly misuse the keys and eventually compromise your system. A carefully devised set of processes must be in place to protect and distribute cryptographic keys in a secure manner.

ICSF, and other products that comply with the IBM Common Cryptographic Architecture (CCA), provide a means of controlling the use of cryptographic keys. This protects against the misuse of the cryptographic system.

This publication explains the concepts of key management and gives step-by-step instructions for using ICSF to generate, enter, and manage cryptographic keys.

---

## Chapter 2. Understanding cryptographic keys

To understand cryptographic keys, you need to know the types of keys that exist and how ICSF protects them and controls their use. The Integrated Cryptographic Service Facility uses a hierarchical key management approach. A master key protects all the keys that are active on your system. Other types of keys protect keys that are transported out of the system. This topic gives you an understanding of how ICSF organizes and protects keys.

---

### Values of keys

Keys can either be clear or encrypted. A clear key is the base value of a key. A clear key is not encrypted under another key. To create an encrypted key, either a master key or a transport key is used to encrypt the base value of the key.

Clear keys, if used carelessly, can compromise security. In symmetric cryptographic processes, such as DES or AES, anyone can use the clear key and the publicly known algorithm to decipher data, key values, or PINs. In asymmetric cryptographic processes it is important to protect the clear value of the private key. It would cause a serious security exposure if the wrong person obtained the value of the private key. It could be used to forge electronic signatures on documents, or decipher key values encrypted under the corresponding public key.

ICSF uses clear key values to *encode* and *decode* data. You can use the CCA callable services Symmetric Key Encipher and Symmetric Key Decipher to encode or decode data. You can use the Encode and Decode callable services or the ICSF utility panels to encode and decode data. For a description of the callable services, see *z/OS Cryptographic Services ICSF Application Programmer's Guide*. For a description of how to use the utility panels, see [Chapter 16, "Using the Utility Panels to Encode and Decode Data,"](#) on page 287.

ICSF may have to input and output clear keys. For example, it might receive and send clear keys when it communicates with other cryptographic systems that use clear keys in their functions. When you give ICSF a clear key value, ICSF can encrypt the key before using it on the system. ICSF has specific callable services that perform this function. These callable services are clear key import and secure key import, which are described in *z/OS Cryptographic Services ICSF Application Programmer's Guide*.

---

### Types of keys

ICSF groups the cryptographic keys into these categories:

- Master keys: CCA and PKCS #11.
- Operational keys: CCA, PKCS #11, and regional cryptographic server.

### Master keys

ICSF uses master keys to protect other keys. Keys are active on a system only when they are encrypted under a master key variant, so the master key protects all keys that are used on the system. A key is in operational form when it has been encrypted under a master key variant. A key must be in operational form to be used with the cryptographic features.

The ICSF administrator initializes and changes master keys using the ICSF panels or TKE workstation. Master keys always remain in a secure area in the cryptographic hardware.

Master keys require cryptographic coprocessors. PKCS #11 or CCA coprocessors must be installed for operations using encrypted keys.

#### **DES Master Key**

The DES (DES-MK) master key is a 16-byte (128-bit) key that is used to protect symmetric DES/TDES keys used on all CCA coprocessors. The DES master key can be a 128-bit or 192-bit key on the zBC12,

zEC12, and later systems with CEX3C or later coprocessor with the September 2012 or later licensed internal code.

### AES Master Key

The AES (AES-MK) master key is a 32-byte (256 bit) key that is used to protect AES keys and HMAC keys on all CCA coprocessors. It is available on the z9 EC, z9 BC, and later servers with CEX2 or later coprocessors with the Nov. 2008 or later licensed internal code.

### RSA Master Key

The RSA (RSA-MK) master key is a 24-byte (192-bit) key that is used to protect RSA private keys on all CCA coprocessors.

### ECC Master Key

The ECC (ECC-MK) master key is a 32-byte (256 bit) key that is used to protect ECC keys and some RSA keys on CCA coprocessors. It is available on the z196, z114, and later systems with CEX3C or later coprocessor with the Sept. 2010 or later licensed internal code.

### PKCS #11 Master Key

The PKCS #11 (P11-MK) master key is a 32-byte (256 bit) key that is used to protect secure PKCS #11 operational keys used on the Enterprise PKCS #11 coprocessor. It is available on the zEC12, zBC12, and later systems with CEX4P or later PKCS #11 coprocessors. For more information on PKCS #11 operational keys, see [z/OS Cryptographic Services ICSF Writing PKCS #11 Applications](#).

## CCA operational keys

ICSF supports symmetric and asymmetric cryptography and supports a variety of keys and functions.

Support of a key type or callable service is dependent on your hardware. See [z/OS Cryptographic Services ICSF Application Programmer's Guide](#) for details of hardware support.

### Symmetric keys

ICSF supports AES, DES, and HMAC keys. ICSF groups the symmetric keys into these classes, which correspond to the functions they perform.

For a pair of complementary keys, such as the PIN generation and PIN verification key pair, the keys have the same clear key value. However, each key is protected by the control vector or associated data for its key type and the encrypted key values are different.

### Data-encrypting keys

Data-encrypting keys are used to encrypt and decrypt data.

DATA class keys can be either encrypted under the master key or in the clear. CIPHER class are encrypted under the master key.

Table 2. DES data-encrypting keys	
DES keys	Callable services
<p>DATA class (data operation keys):</p> <ul style="list-style-type: none"> <li>• These key are used to encrypt and decrypt data.</li> <li>• Single-length keys can be used to generate and verify MACs and CVVs.</li> <li>• DATA keys can be single-length, double-length, or triple-length.</li> <li>• DATAM and DATAMV keys are double-length.</li> <li>• The DATA key value may be encrypted or clear. All other keys are encrypted.</li> </ul>	
DATA (encrypted)	Authentication Parameter Generate, Cipher Text Translate2, CVV Key Combine, Decipher, Encipher, MAC Generate, MAC Verify, VISA CVV Generate, VISA CVV Verify
DATA (encrypted or clear)	Symmetric Key Encipher, Symmetric Key Decipher

<i>Table 2. DES data-encrypting keys (continued)</i>	
<b>DES keys</b>	<b>Callable services</b>
DATAM	MAC Generate, MAC Verify
DATAMV	MAC Verify
<i>Cipher class (data operation keys):</i>	
<ul style="list-style-type: none"> <li>• These key are used to encrypt and decrypt data.</li> <li>• The keys can be single-length, double-length, or triple-length.</li> </ul>	
CIPHER	Cipher Text Translate2, Decipher, Encipher
DECIPHER	Cipher Text Translate2, Decipher
ENCIPHER	Cipher Text Translate2, Encipher

**Availability notes:** Triple-length DES keys require z13 or z13s or later servers with the July 2019 or later licensed internal code (LIC) or z14 or later servers with the December 2018 or later licensed internal code (LIC).

<i>Table 3. AES data-encrypting keys</i>	
<b>AES keys</b>	<b>Callable services</b>
<i>DATA class (data operation keys):</i>	
<ul style="list-style-type: none"> <li>• These key are used to encrypt and decrypt data.</li> <li>• Clear keys can be used to generate and verify MACs.</li> <li>• The keys can be 128, 192, or 256 bits in length.</li> <li>• The key value may be encrypted or clear.</li> </ul>	
DATA (encrypted)	Cipher Text Translate2, Symmetric Algorithm Decipher, Symmetric Algorithm Encipher, Symmetric Key Decipher, Symmetric Key Encipher
DATA (clear)	Symmetric Key Decipher, Symmetric Key Encipher, Symmetric MAC Generate, Symmetric MAC Verify
<i>Cipher class (data operation keys):</i>	
<ul style="list-style-type: none"> <li>• These key are used to encrypt and decrypt data.</li> <li>• The keys can be 128, 192, or 256 bits in length.</li> <li>• The key usage flags in the associated data can be used to restrict usage to encipher only or decipher only.</li> </ul>	
CIPHER	Cipher Text Translate2, Symmetric Algorithm Decipher, Symmetric Algorithm Encipher, Symmetric Key Decipher, Symmetric Key Encipher

**Availability notes:** AES Cipher class keys require z114, z196, or later systems with a CEX3C or later coprocessor with the September 2011 or later licensed internal code (LIC).

### ***Cipher text translation keys***

Cipher text translation keys protect data that is transmitted through intermediate systems when the originator and receiver do not share a common key. Data that is enciphered under one cipher text translation key is reenciphered under another cipher text translation key on the intermediate node. During this process, the data never appears in the clear.

A cipher text translation key cannot be used in the decipher callable service to decipher data directly. It can translate the data from encipherment under one cipher text translation key to encipherment under

another cipher text translation key. See “Protection of data” on page 26 for a description of how cipher text translation keys protect data that is sent through intermediate systems.

<i>Table 4. DES cipher text translate keys</i>	
<b>DES keys</b>	<b>Callable services</b>
<i>CIPHERXL class (cipher text translate keys):</i>	
<ul style="list-style-type: none"> <li>• These key are used to translate cipher text.</li> <li>• The keys are double-length.</li> </ul>	
CIPHERXI	Cipher Text Translate2 (translate inbound key only)
CIPHERXL	Cipher Text Translate2 (translate inbound and outbound key)
CIPHERXO	Cipher Text Translate2 (translate outbound key only)

**Availability notes:** DES CIPHERXL class keys require zEC12, zBC12, and later systems with a CEX3C or later coprocessor with September 2012 or later licensed internal code.

<i>Table 5. AES cipher text translate keys</i>	
<b>AES keys</b>	<b>Callable services</b>
<i>CIPHERXL class (data operation keys):</i>	
<ul style="list-style-type: none"> <li>• These key are used to encrypt and decrypt data.</li> <li>• The keys can be 128, 192, or 256 bits in length.</li> <li>• The key usage flags in the associated data can be used to restrict usage to encipher only or decipher only.</li> <li>• The key usage flags in the associated data can be used to restrict usage to translate cipher text only.</li> </ul>	
CIPHER	Cipher Text Translate2

**Availability notes:**

- AES CIPHER class keys require z114, z196, or later systems with a CEX3C or later coprocessor with the September 2011 or later licensed internal code.
- AES CIPHER keys can be restricted to be used for cipher text translation only. This support requires zEC12, zBC12, and later systems with a CEX3C, CEX4C, or later coprocessor with September 2012 or later licensed internal code.

**MAC keys**

Message authentication is the process of verifying the integrity of transmitted messages. Message authentication code (MAC) processing enables you to verify that a message has not been altered. You can use a MAC to check that a message you receive is the same one the message originator sent. The message itself may be in clear or encrypted form.

MAC keys can be used to generate and verify MACs, or can be restricted to just verify MACs.

DES supports the ANSI X9.9-1 procedure, ANSI X9.19 optional double key MAC procedure, and EMV Specification and ISO 16609 for encrypted keys.

DES MAC keys can be used to generate CVVs and CSCs for PIN transactions.

AES supports ciphered message authentication code (CMAC) for encrypted keys and CBC-MAC and XCBC-MAC for clear keys.

HMAC supports FIPS-198 hashed message authentication code (HMAC) for encrypted keys.

Table 6. DES MAC keys	
DES keys	Callable services
<p>MAC class (data operation keys):</p> <ul style="list-style-type: none"> <li>• These keys are used to generate and verify MACs, CVVs, and CSCs.</li> <li>• The keys can be single-length, double-length, or triple-length keys.</li> </ul>	
MAC	CVV Key Combine, MAC Generate, MAC Verify, Transaction Validation, VISA CVV Generate, VISA CVV Verify
MACVER	CVV Key Combine, MAC Verify, Transaction Validation, VISA CVV Verify

**Availability notes:** Triple-length DES keys require z13 or z13s or later servers with the July 2019 or later licensed internal code (LIC) or z14 or later servers with the December 2018 or later licensed internal code (LIC).

Table 7. AES MAC keys	
AES keys	Callable services
<p>MAC class (data operation keys):</p> <ul style="list-style-type: none"> <li>• These keys are used to generate and verify MACs.</li> <li>• The keys can be 128, 192, or 256 bits in length.</li> <li>• The key usage flags in the associated data can be used to restrict usage to only generate MACs or to only verify MACs.</li> </ul>	
MAC	DK Deterministic PIN Generate, DK PIN Change, DK PAN Modify in Transaction, DK PAN Translate, DK PRW Card Number Update, DK PRW Card Number Update2, DK PRW CMAC Generate, DK Random PIN Generate, DK Random PIN Generate2, DK Regenerate PRW, Encrypted PIN Translate2, MAC Generate2, MAC Verify2

**Availability notes:** AES MAC class keys require z114 or z196 systems with a CEX3C coprocessor with the March 2014 or later licensed internal code or zEC12, zBC12, and later systems with a CEX3C, CEX4C, or later coprocessor with March 2014 or later licensed internal code.

Table 8. HMAC MAC keys	
HMAC keys	Callable services
<p>MAC class (data operation keys):</p> <ul style="list-style-type: none"> <li>• These keys are used to generate and verify a keyed hash message authentication code (HMAC).</li> <li>• The keys are variable-length keys (80-2024 bits) and are encrypted under the AES master key.</li> <li>• The key usage flags in the associated data can be used to restrict usage to verify only.</li> </ul>	
MAC	HMAC Generate, HMAC Verify, MAC Generate2, MAC Verify2

**Availability notes:** HMAC keys require z114, z196, or later systems with a CEX3C or later coprocessor with the November 2010 or later licensed internal code.

### **PIN keys**

Personal authentication is the process of validating personal identities in a financial transaction system. The personal identification number (PIN) is the basis for verifying the identity of a customer across the financial industry networks. A PIN is a number that the bank customer enters into an automatic teller machine (ATM) to identify and validate a request for an ATM service.

You can use ICSF to generate PINs and PIN offsets. A PIN offset is a value that is the difference between two PINs. For example, a PIN offset may be the difference between a PIN that is chosen by the customer and one that is assigned by an institution. You can use ICSF to verify the PIN that was generated by ICSF. You can also use ICSF to protect PIN blocks that are sent between systems and to translate PIN blocks from one format to another. A PIN block contains a PIN and non-PIN data. You use PIN keys to generate and verify PINs and PIN offsets, and to protect and translate PIN blocks.

<i>Table 9. DES PIN keys</i>	
<b>DES keys</b>	<b>Callable services</b>
<i>PIN class:</i>	
<ul style="list-style-type: none"> <li>• These keys are used generate and verify PINs and PIN offsets.</li> <li>• The keys are double-length or triple-length keys.</li> </ul>	
PINGEN	Clear PIN Generate, Clear PIN Generate Alternate, Encrypted PIN Generate, Recover PIN from Offset
PINVER	Encrypted PIN Verify
These keys are used wrap and unwrap PIN blocks:	
IPINENC	Authentication Parameter Generate, Clear PIN Generate Alternate, Encrypted PIN Translate, Encrypted PIN Translate2, Encrypted PIN Translate Enhanced, Encrypted PIN Verify, PIN Change/Unblock, Secure Messaging for PINs
OPINENC	Clear PIN Encrypt, Clear PIN Generate Alternate, Encrypted PIN Generate, Encrypted PIN Translate, Encrypted PIN Translate2, Encrypted PIN Translate Enhanced, PIN Change/Unblock, Recover PIN from Offset

**Availability notes:** Triple-length DES keys require z13 or z13s or later servers with the July 2019 or later licensed internal code (LIC) or z14 or later servers with the December 2018 or later licensed internal code (LIC).

<i>Table 10. AES PIN keys</i>	
<b>AES keys</b>	<b>Callable services</b>
<i>PIN class:</i>	
<ul style="list-style-type: none"> <li>• These keys are used generate PINs.</li> <li>• The keys can be 128, 192, or 256 bits in length.</li> </ul>	
PINCALC	DK Deterministic PIN Generate
These keys are used wrap and unwrap PIN blocks.	
PINPROT	Clear PIN Encrypt, DK Deterministic PIN Generate, DK PAN Translate, DK PIN Change, DK PRW Card Number Update, DK PRW Card Number Update2, DK Random PIN Generate, DK Random PIN Generate2, DK Regenerate PRW, Encrypted PIN Translate2
These keys are used generate and verify PIN reference words (PRW).	
PINPRW	DK Deterministic PIN Generate, DK PAN Modify in Transaction, DK PAN Translate, DK PIN Change, DK PIN Verify, DK PRW Card Number Update, DK PRW Card Number Update2, DK Random PIN Generate, DK Random PIN Generate2, DK Regenerate PRW



**Availability notes:** AES PIN class keys require z114 or z196 systems with CEX3C with the November 2013 or later licensed internal code or zEC12, zBC12, and later systems with a CEX3C, CEX4C, or later coprocessor with September 2013 or later licensed internal code.

### Key-encrypting keys

Key-encrypting keys protect a key that is sent to another system, received from another system, or stored with data in a file. A variation of transport keys are also used to rewrap a key from one key-encrypting key to another key-encrypting key.

Key-encrypting keys are always generated in pairs. Both keys have the same clear key value, but have a different encrypted key value due to the control vector or the associated data.

#### Exporter key-encrypting key

An exporter key-encrypting key protects keys that are sent from your system to another system. The exporter key at the originator has the same clear value as the importer key at the receiver. An exporter key is paired with an importer key-encrypting key.

DES OKEYXLAT keys must be used when rewrapping a key under a transport key. The AES EXPORTER must have the TRANSLAT key usage enabled when rewrapping a key.

#### Importer key-encrypting key

An importer key-encrypting key protects keys that are sent from another system to your system. It also protects keys that you store externally in a file that you can import to your system later. The importer key at the receiver has the same clear value as the exporter key at the originator. An importer key is paired with an exporter key-encrypting key.

DES IKEYXLAT keys must be used when rewrapping a key under a transport key. The AES IMPORTER must have the TRANSLAT key usage enabled when rewrapping a key.

Table 11. Keys for the DES key-encrypting key	
DES keys	Callable services
<i>Key-encrypting key class:</i>	
<ul style="list-style-type: none"> <li>• These keys are used to wrap other keys.</li> <li>• The keys are double-length or triple-length keys.</li> </ul>	
EXPORTER	Control Vector Translate, Data Key Export, ECC Diffie-Hellman, Key Export, Key Generate, Key Test2, Key Test Extended, Key Translate, Key Translate2, PKA Key Generate, PKA Key Translate, Prohibit Export Extended, Remote Key Export, Secure Messaging for Keys, Symmetric Key Generate, TR-31 Export, TR-31 Import, TR-34 Key Distribution, Unique Key Derive
IMPORTER	Control Vector Translate, Data Key Import, ECC Diffie-Hellman, Key Generate, Key Import, Key Test2, Key Test Extended, Key Translate, Key Translate2, Multiple Secure Key Import, PKA Key Generate, PKA Key Import, PKA Key Translate, Prohibit Export Extended, Remote Key Export, Restrict Key Attribute, Secure Key Import, Secure Messaging for Keys, Symmetric Key Generate, TR-31 Export, TR-31 Import
IMP-PKA	PKA Key Import, Remote Key Export, Trusted Block Create
IKEYXLAT, OKEYXLAT	Control Vector Translate, Key Translate, Key Translate2, TR-31 Export, TR-31 Import

**Availability notes:** Triple-length DES keys require z13 or z13s or later servers with the July 2019 or later licensed internal code (LIC) or z14 or later servers with the December 2018 or later licensed internal code (LIC).

<i>Table 12. Keys for the AES key-encrypting key</i>	
<b>AES keys</b>	<b>Callable services</b>
<i>Key-encrypting key class:</i>	
<ul style="list-style-type: none"> <li>• These keys are used to wrap other keys.</li> <li>• The keys can be 128, 192, or 256 bits in length.</li> </ul>	
EXPORTER	ECC Diffie-Hellman, Key Generate2, Key Test2, Key Translate2, PKA Key Generate, PKA Key Translate, Symmetric Key Export, TR-31 Export, TR-31 Import, TR-34 Key Distribution
IMPORTER	ECC Diffie-Hellman, Key Generate2, Key Test2, Key Translate2, PKA Key Generate, PKA Key Import, PKA Key Translate, Restrict Key Attribute, Secure Key Import2, Symmetric Key Import2, TR-31 Export, TR-31 Import

**Availability notes:** AES key-encrypting class keys require z114, z196, or later systems with a CEX3C or later coprocessor with the September 2011 or later licensed internal code.

### **Key-generating keys**

Key-generating keys are used to derive unique-key-per transaction keys.

<i>Table 13. DES key-generating keys</i>	
<b>DES keys</b>	<b>Callable services</b>
<i>Key-generate key class:</i>	
<ul style="list-style-type: none"> <li>• These keys are used to derive keys.</li> <li>• The keys are double-length keys.</li> <li>• The key usage flags in the control vector determine which services the KEYGENKY key may be used with.</li> </ul>	
KEYGENKY	Diversified Key Generate, Encrypted PIN Translate, Encrypted PIN Verify, Unique Key Derive
DKYGENKY	Diversified Key Generate, PIN Change/Unblock

<i>Table 14. AES key-generating keys</i>	
<b>AES keys</b>	<b>Callable services</b>
<i>Key-generate key class:</i>	
<ul style="list-style-type: none"> <li>• These keys are used to derive keys.</li> <li>• The keys can be 128, 192, or 256 bits in length.</li> </ul>	
DKYGENKY	Diversified Key Generate2
KDKGENKY	Diversify Directed Key

**Availability notes:** AES DKYGENKY keys require z114 or z196 systems with a CEX3C coprocessor with the November 2013 or later licensed internal code (LIC) , or zEC12, zBC12, and later systems with a CEX3C, CEX4C, or later coprocessor with September 2013 or later licensed internal code (LIC). AES KDKGENKY keys require z13 or z13s or later servers with the July 2019 or later licensed internal code (LIC) or z14 or later servers with the December 2018 or later licensed internal code (LIC).

## Cryptographic variable keys

These DES keys are used to encrypt special control values in DES key management.

Table 15. DES cryptographic variable keys	
DES keys	Callable services
<i>Cryptographic-variable class:</i> <ul style="list-style-type: none"><li>• These keys are used in the special verbs that operate with cryptographic variables.</li><li>• The keys are single-length keys.</li></ul>	
CVARENC	Cryptographic Variable Encipher
CVARXCVL	Control Vector Translate
CVARXCVR	Control Vector Translate

## Secure messaging keys

These keys are used to encrypt keys and PINs for incorporation into a text block. The text block is then encrypted to preserve the security of the key value. The encrypted text block, normally the value field in a TLV item, can be incorporated into a message sent to an EMV smart card.

Table 16. DES secure messaging keys	
DES keys	Callable services
<i>Secure-messaging class (data operation keys):</i> <ul style="list-style-type: none"><li>• These keys are used to encrypt keys or PINs.</li><li>• The keys are double-length keys.</li><li>• The key usage flags in the control vector determine which services the key may be used with.</li></ul>	
SECMSG	Diversified Key Generate, Secure Messaging for Keys, Secure Messaging for PINs

Table 17. AES secure messaging keys	
AES keys	Callable services
<i>Secure-messaging class (data operation keys):</i> <ul style="list-style-type: none"><li>• These keys are used to encrypt keys or PINs.</li><li>• The keys can be 128, 192, or 256 bits in length.</li></ul>	
SECMSG	DK PIN Change

**Availability notes:** AES secure-messaging class keys require z114 or z196 systems with a CEX3C coprocessor with the November 2013 or later licensed internal code (LIC) , or zEC12, zBC12, and later systems with a CEX3C, CEX4C, or later coprocessor with September 2013 or later licensed internal code (LIC).

## Asymmetric keys

ICSF supports RSA and ECC keys:

### RSA

An RSA key pair includes a private key and a public key. RSA keys can be used for key distribution and authentication. The private key can be restricted to authentication only or key management only.

<i>Table 18. RSA keys</i>	
Key	Callable services
The length of the modulus may be 512-4096 bits. Modules-exponent and Chinese Remainder Theorem formats are supported.	
Private	Digital Signature Generate, Key Test2, PKA Public Key Extract, Public Key Decrypt, Restrict Key Attribute, SET Block Decompose, Symmetric Key Import, Symmetric Key Import2
Public	Digital Signature Verify, Key Test2, Public Key Encrypt, SET Block Compose, Symmetric Key Export, Symmetric Key Export with Data, Symmetric Key Generate

**Availability notes:** RSA keys with a modulus greater than 2048 bits are supported on the z9 EC, z9 BC, and later systems with a CEX2C or later coprocessor with the November 2007 or later licensed internal code.

### ECC

An ECC key pair includes a private and public key. ECC keys can be used for authentication and symmetric key derivation. ECC keys are used to derive AES and DES keys using the Diffie-Hellman protocol. The private key can be restricted to authentication only or key derivation only.

<i>Table 19. ECC keys</i>	
Key	Callable services
Private	Digital Signature Generate, ECC Diffie-Hellman
Public	Digital Signature Verify, ECC Diffie-Hellman

**Availability notes:** ECC keys are supported on the z10 EC, z10 BC, and later systems with a CEX3C and later coprocessor with the November 2010 or later licensed internal code.

### Trusted blocks

Trusted blocks are used in remote key management for ATMs and other remote devices.

<i>Table 20. Trusted blocks</i>	
Key	Callable services
Inactive	Trusted Block Create
Active	Remote Key Export, Trusted Block Create, PKA Key Import

**Availability notes:** Trusted blocks are supported on the z9 EC, z9 BC, and later servers with a CEX2C and later coprocessor with the May 2006 or later licensed internal code.

## Regional cryptographic operational keys

These keys are used only with the ICSF PKCS #11 services and only when a regional cryptographic server is online and active. Regional cryptographic servers are network-attached, standalone devices or dedicated Linux LPARs that perform geography-specific cryptography. Currently, the geography-specific cryptography algorithms supported by these devices are the Chinese symmetric algorithm SM4, the asymmetric algorithm SM2, and the hashing algorithm SM3. The supported key types are SM2 and SM4.

For more information about the PKCS #11 services' support for regional cryptographic server keys, see [z/OS Cryptographic Services ICSF Writing PKCS #11 Applications](#) and [z/OS Cryptographic Services ICSF Application Programmer's Guide](#).

## PKCS #11 operational keys

These keys are used only with the ICSF PKCS #11 services. The following types are supported:

- Symmetric key types: DES, TDES, AES, BLOWFISH, and RC4
- Asymmetric key types: RSA, DSA, ECDSA, DH, and ECDH
- HMAC key types: Generic Secret

For more information about PKCS #11 and keys, see [z/OS Cryptographic Services ICSF Writing PKCS #11 Applications](#).

## Protection and control of cryptographic keys

---

Because the cryptographic algorithms are all key-controlled algorithms, the security of protected data depends on the security of the cryptographic key. With the exception of master keys, which are physically secured, keys that require a high level of protection are enciphered under another key to provide this necessary security.

A key can be protected under either a master key, a transport key, or a PKA key. The master key protects a key you use on the system. When you send a key to another system, you protect it under a transport key rather than under the master key. You can use RSA public keys to protect DES, AES, and HMAC keys that are transported between systems.

ICSF controls the use of AES and DES keys by separating them into types that can be used to do only specific functions.

### Master key concept

ICSF uses the master key concept to protect cryptographic keys. Master keys, which are stored in secure hardware in the cryptographic feature, are used to encrypt all other keys on the system. All other keys that are encrypted under these master keys are stored outside the protected area of the cryptographic feature. This is an effective way to protect a large number of keys while needing to provide physical security for only a few master keys.

The master keys are used only to encipher and decipher keys. Other key-encrypting keys that are called *transport keys* also encipher and decipher keys and are used to protect cryptographic keys you transmit to other systems. These transport keys, while on the system, are also encrypted under a master key.

### Symmetric key separation

The cryptographic features controls the use of AES and DES keys by separating them into unique types. How a key is used distinguishes it from other keys. The cryptographic feature allows you to use only a specific type of key for its intended purpose. For example, a key that is used to protect data cannot be used to protect a key.

#### DES keys

Key separation for DES keys is controlled by the control vector. The control vector has fields for the key type, key usage, and key management. See Appendix B. Control Vectors and Changing Control Vectors with the CVT Callable Service in [z/OS Cryptographic Services ICSF Application Programmer's Guide](#) for details on control vectors. The control vector is cryptographically bound to the encrypted key value when the key is encrypted under the master key or a transport key.

The cryptographic coprocessor encrypts each operational key under a unique variation of the DES master key. Each variation encrypts a different type of key. Although you define only one master key, in effect you have a unique master key to encrypt each type of key that is used in DES services.

DES keys can be single-length, double-length, or triple-length keys, depending on their key type. A single-length key is 64 bits, a double-length key is 128 bits, and a triple-length key is 192 bits. For double-length keys, one control vector exists for the left half of the key and another control vector for the right half of the key. Therefore, ICSF creates a master key variant or transport key variant for each half of the key the

master key or transport key will protect. For triple-length keys, the left and right control vectors are the same. All triple-length keys, with the exception of DATA keys with a zero control vector, are wrapped with the enhanced wrapping method.

A key that is protected under the master key is in *operational form*, which means that ICSF can use it in cryptographic functions on the system. As is shown in [Figure 1 on page 20](#), all secure keys that you want ICSF to use in cryptographic functions are enciphered under the master key.

Whenever the master key is used to encipher a key, the cryptographic coprocessor produces a variation of the master key according to the type of key that is being enciphered. These variations are called *master key variants*. The cryptographic coprocessor creates a master key variant by exclusive ORing a fixed pattern, called a *control vector*, with the master key. Each type of key that is used in DES services has a unique control vector associated with it. For example, the cryptographic coprocessor uses one control vector when the master key enciphers a PIN generation key and a different control vector when the master key enciphers a PIN verification key.

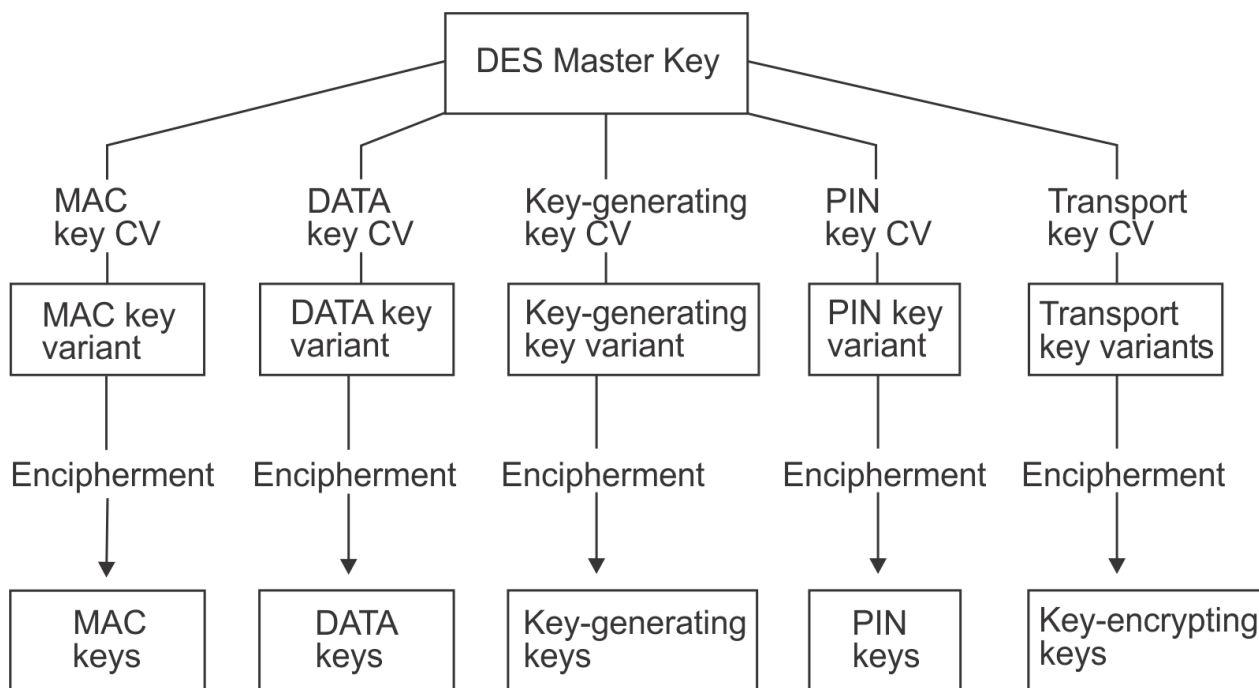


Figure 1. Keys protected in a system

When systems want to share keys, transport keys can be used to protect keys sent outside of systems. A key that is enciphered under a transport key cannot be used in a cryptographic function. The key must first be brought into a system, deciphered from under the transport key, and enciphered under the system's master key.

ICSF creates variations of a transport key to encrypt a key according to its type. Whenever a transport key is used to encipher a key, the cryptographic feature produces the variation of the transport key according to the type of key that is being enciphered. This allows for key separation when a key is transported off the system.

A transport key variant, also called a *key-encrypting key variant*, is created in the same way as a master key variant. The transport key is exclusive ORED with a control vector that is associated with the key type of the key it protects. See [Appendix B, "Control Vector Table," on page 489](#) for a listing of the control vector that is used for each key type.

## AES and HMAC keys

AES and HMAC key separation is controlled by the associated data section in the key token. The associated data section contains fields for type of algorithm for which the key can be used, key type, key

usage, and key management. In addition to the algorithm and key type, the values of the key-usage and key-management fields further restrict the use of a key.

The associated data is cryptographically bound to the key token when the key value is encrypted under the master key or a transport key.

## Asymmetric key usage

RSA keys can be restricted for symmetric key distribution and authentication usage. ECC keys can be restricted for authentication and symmetric key derivation usage.

## Migrating from PCF and CUSP key types

Your installation may use Programmed Cryptographic Facility (PCF) or Cryptographic Unit Support Program (CUSP). ICSF provides key types that are similar to the PCF and CUSP key types and provides other key types for enhanced key separation and more functions. You cannot use a PCF or CUSP key on ICSF, but you can convert a PCF or CUSP key into an ICSF key. [Table 21 on page 21](#) lists which ICSF key types correspond to the PCF and CUSP key types.

PCF and CUSP key type	ICSF key type
Local key	Exporter key-encrypting key or Output PIN-encrypting key
Remote key	Importer key-encrypting key or Input PIN-encrypting key
Cross key	Importer key-encrypting key and exporter key-encrypting key or Input PIN-encrypting key and output PIN-encrypting key

ICSF provides compatibility modes and a conversion program to help you run PCF or CUSP with ICSF and to migrate from PCF or CUSP to ICSF. The conversion program converts PCF and CUSP keys to ICSF keys. For information about migration from PCF or CUSP to z/OS ICSF, see [z/OS Cryptographic Services ICSF System Programmer's Guide](#).

## Key strength and wrapping of key

Key strength can be measured as "bits of security" as described in the documentation of NIST and other organizations. Each individual key will have its "bits of security" computed, then the different key types (AES, DES, ECC, RSA, HMAC ) can then have their relative strengths compared on a single scale. When the raw value of a particular key falls between discreet values of the NIST table the lower value from the table will be used as the "bits of security".

The following tables show some examples of the restrictions due to key strength. When wrapping an HMAC key with an AES key-encrypting key, the strength of the AES key-encrypting key depends on the attributes of the HMAC key.

<i>Table 22. AES EXPORTER strength required for exporting an HMAC key under an AES EXPORTER</i>	
<b>Key-usage field 2 in the HMAC key</b>	<b>Minimum strength of AES EXPORTER to adequately protect the HMAC key</b>
<b>SHA-256, SHA-384, SHA-512</b>	256 bits
<b>SHA-224</b>	192 bits
<b>SHA-1</b>	128 bits

<i>Table 23. Minimum RSA modulus length to adequately protect an AES key</i>	
<b>Bit length of AES key to be exported</b>	<b>Minimum strength of RSA wrapping key to adequately protect the AES key</b>
<b>128</b>	3072
<b>192</b>	7860
<b>256</b>	15360

## Access control points

In order to comply with cryptographic standards, including ANSI X9.24 Part 1 and PCI-HSM, ICSF will provide a way to ensure that a key is not wrapped with a key weaker than itself. ICSF will provide a set of access control points in the ICSF role to control the wrapping of keys. ICSF administrators can use these access control points to meet the customers individual requirements.

There are new and existing access control points that control the wrapping of keys by master and key-encrypting keys. These ACP will either prohibit the wrapping of a key by a key of weaker strength or warning (return code 0, reason code non-zero) when a key is wrapped by a weaker key. All of these access control points are disabled by default in the ICSF role.

The processing of callable services will be affected by these access control points. Here is a description of the access control points, the wrapping it controls and the affect on services. These access control points apply to symmetric and asymmetric keys.

When the **Prohibit weak wrapping - Transport keys** access control point is enabled, any service that attempts to wrap a key with a weaker transport key will fail.

When the **Prohibit weak wrapping - Master keys** access control point is enabled, any service that wraps a key under a master key will fail if the master key is weaker than the key being wrapped.

When the **Warn when weak wrap - Transport keys** access control point is enabled, any service that attempts to wrap a key with a weaker transport key will succeed with a warning reason code.

When the **Warn when weak wrap - Master keys** access control point is enabled, any service that attempts to wrap a key with a weaker master key will succeed with a warning reason code.

24-byte DATA keys with a zero control vector can be wrapped with a 16-byte key, the DES master key or a key-encrypting key, which violates the wrapping requirements. The **Prohibit weak wrapping – Transport keys** and **Prohibit weak wrapping – Master keys** ACPs do not cause services to fail for this case. The **Disallow 24-byte DATA wrapped with 16-byte Key** ACP does control this wrapping. When enabled, services will fail. The **Warn when weak wrap – Transport keys** and **Warn when weak wrap – Master keys** ACPs will cause the warning to be returned when the ACPs are enabled.

When the **TBC – Disallow triple-length MAC key** ACP is enabled, CSNDRKX will fail to import a triple-length MAC key under a double-length key-encrypting key. CSNBTBC will not wrap a triple-length MAC key under a double-length key-encrypting key. The **Prohibit weak wrapping – Transport keys** and **Prohibit weak wrapping – Master keys** ACPs do not cause services to fail for this case. The **Warn when weak wrap – Transport keys** and **Warn when weak wrap – Master keys** ACPs will cause the warning to be returned when the ACPs are enabled.



If the **Prohibit Weak Wrap** ACP is enabled, RSA private keys may not be wrapped using a weaker DES key-encrypting key. Enabling the **Allow weak DES wrap of RSA private key** ACP will override this restriction.

## DES key wrapping

ICSF wraps the key value in a DES key token using one of three possible methods:

- The original method of DES key wrapping has been used by ICSF since its initial release. Using this original key wrapping method, the key value in DES tokens are encrypted using triple DES encryption, and key parts are encrypted separately.
- The SHA-1 based enhanced method of symmetric key wrapping, introduced in ICSF FMID HCR7780, is ANSI X9.24 compliant. Using the enhanced method, the key value for keys is bundled with other token data and encrypted using triple DES encryption and cipher block chaining mode. The enhanced method is available on z196, z14, and later servers with a CEX3 or later coprocessor with the November 2010 or later licensed internal code (LIC).
- The SHA-256 based enhanced method, introduced in FMID HCR77C1, is ANSI X9.24 compliant. Using the enhanced method, the key value for keys is bundled with other token data and encrypted using triple DES encryption and cipher block chaining mode. The SHA-256 enhanced method applies only to triple-length key tokens, and triple-length keys are always wrapped with this method with the exception of DATA keys with a zero control vector. The SHA-256 enhanced method is available only on the z13 or z13s or later servers with the July 2019 licensed internal code (LIC) or the z14 or later servers with the December 2018 licensed internal code (LIC).

Using the DEFAULTWRAP keyword in the installation options data set, you can specify the default wrapping method that ICSF will use for internal key tokens and external key tokens. The default wrapping method for internal key tokens and the default wrapping method for external key tokens are independent to each other and are specified separately. If the installation options data set does not contain the DEFAULTWRAP keyword, the original method of symmetric key wrapping will be the default key wrapping method for both internal and external key tokens. See *z/OS Cryptographic Services ICSF System Programmer's Guide* for information on the installation options data set and the DEFAULTWRAP keyword.

A CKDS conversion utility, CSFCNV2, enables you to convert all tokens in the CKDS to use either the original or the SHA-1 enhanced wrapping method. See Chapter 23, “Rewrapping DES key token values in the CKDS using the utility program CSFCNV2,” on page 459 for more information.

## AES key wrapping

The AESKW wrapping method for AES keys in the variable-length symmetric key tokens is defined in standard ANSI X9.102.

## DES master key

Since ICSF only allows a 16-byte DES master key to be loaded, ICSF cannot be compliant for key strength for 24-byte operational keys wrapped by the DES master key. Starting with ICSF FMID HCR77A0, a 24-byte master key can be loaded. Only cryptographic coprocessors with the October, 2012 licensed internal code support this key length. The **DES master key – 24-byte key** access control point must be enabled in the ICSF role. See Chapter 8, “Managing CCA Master Keys,” on page 93 for more details.

## Protection of distributed keys

When you store a key with a file or send it to another system, you can protect the key in either of these ways:

- DES keys in a CCA key token enciphered under a DES transport key.
- DES keys in a TR-31 key block enciphered under a DES transport key.
- AES and DES keys in a TR-31 key block enciphered under an AES transport key.
- AES and HMAC keys in a CCA key token enciphered under an AES transport key.

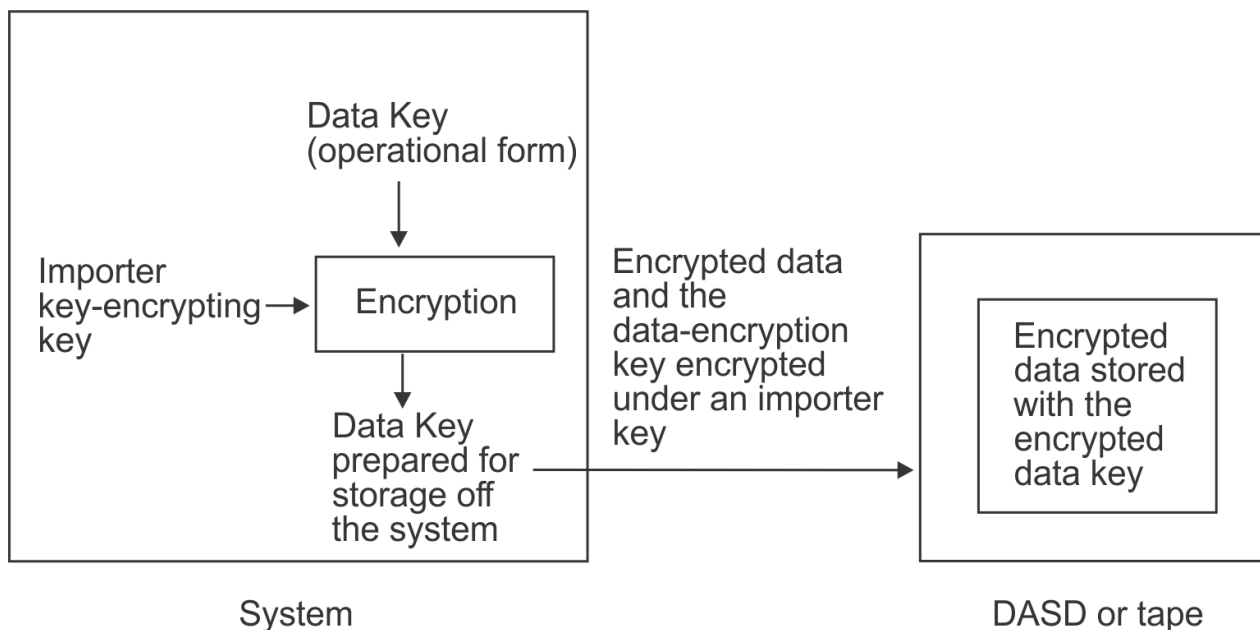
- AES, DES, and HMAC keys enciphered under a RSA public key.
- RSA private keys in a CCA key token enciphered under a DES or AES transport key.
- RSA private keys in a smart card format enciphered under a DES transport key.
- ECC private keys in a CCA key token enciphered under an AES transport key.

When ICSF enciphers a key under a transport key, the key is not in operational form and cannot be used to perform cryptographic functions. When you receive a key from a system, the key is enciphered under a transport key. You can reencipher the key from under the transport key to under your master key. You can then use the key on your system. When a key is enciphered under a transport key, the sending system considers it in exportable form, and the receiving system considers it in importable form. When a key is reenciphered from under a transport key to under a system's master key, it is in operational form again.

In an RSA public key cryptographic system, the sending system and receiving system do not need to share complementary importer and exporter key pairs to exchange data-encrypting keys. The sender uses the receiver's public key to encipher the data-encrypting key. The receiver uses his or her own private key to decipher the data-encrypting key. You can use RACF to control which applications can use specific keys and services. For more information, see [“System authorization facility \(SAF\) controls”](#) on page 75.

## Protecting keys stored with a file

You may want to store encrypted data in a file that is stored on DASD or on magnetic tape. For example, if you use a data-encrypting key to encrypt data in a file, you can store the data-encrypting key with the encrypted data. As is shown in [Figure 2 on page 24](#), you use an importer key-encrypting key to encrypt the data-encrypting key.



*Figure 2. Keys protected in a file outside the system*

When you encipher a key under an importer key, the key is no longer enciphered under the master key and is no longer operational. You can store the key off the system because the key will not become obsolete if you change the master key. The importer key that protects the data-encrypting key is reenciphered under the correct master key during a master key change. Therefore, when enciphered under the importer key, the data-encrypting key is not directly affected by a master key change.

When you are ready to use the data-encrypting key, use ICSF to reencipher it from under the transport key to under the master key. This makes the data-encrypting key operational. You can then use the data-encrypting key to decrypt the data.

## Remote key loading

The process of remote key loading is loading DES keys to automated teller machines (ATMs) from a central administrative site. Because a new ATM has none of the bank's keys installed, getting the first key securely loaded is currently done manually by loading the first key-encrypting key (KEK) in multiple cleartext key parts. A new standard ANSI X9.24-2 defines the acceptable methods of doing this using public key cryptographic techniques, which will allow banks to load the initial KEKs without having to send anything to the ATMs. This method is quicker, more reliable and much less expensive.

Once an ATM is in operation, the bank can install new keys as needed by sending them enciphered under a KEK it installs at an earlier time. Cryptographic architecture in the ATMs is not Common Cryptographic Architecture (CCA) and it is difficult to export CCA keys in a form understood by the ATM. Remote key loading will make it easier to export keys to non-CCA systems without compromising security.

In order to use ATM Remote Key Loading, TKE users will have to enable the access control points for these functions:

- Trusted Block Create - Create Block in inactive form.
- Trusted Block Create - Activate an inactive block.
- PKA Key Import - Import an external trusted block.
- Remote Key Export - Gen or export a non-CCA node key.

## Using DES and AES transport keys to protect keys sent between systems

You can send and receive keys and PINs between your system and another system. For example, if you send encrypted data to another system, you also send the data-encrypting key that enciphered the data. The other system can then use the data-encrypting key to decipher the data. In a financial system, you might need to send a PIN from the system that received the PIN from a customer to a system that uses it to verify a customer's identity. As shown in [Figure 3 on page 25](#), when you send the PIN between systems, you encipher the PIN under a PIN-encrypting key.

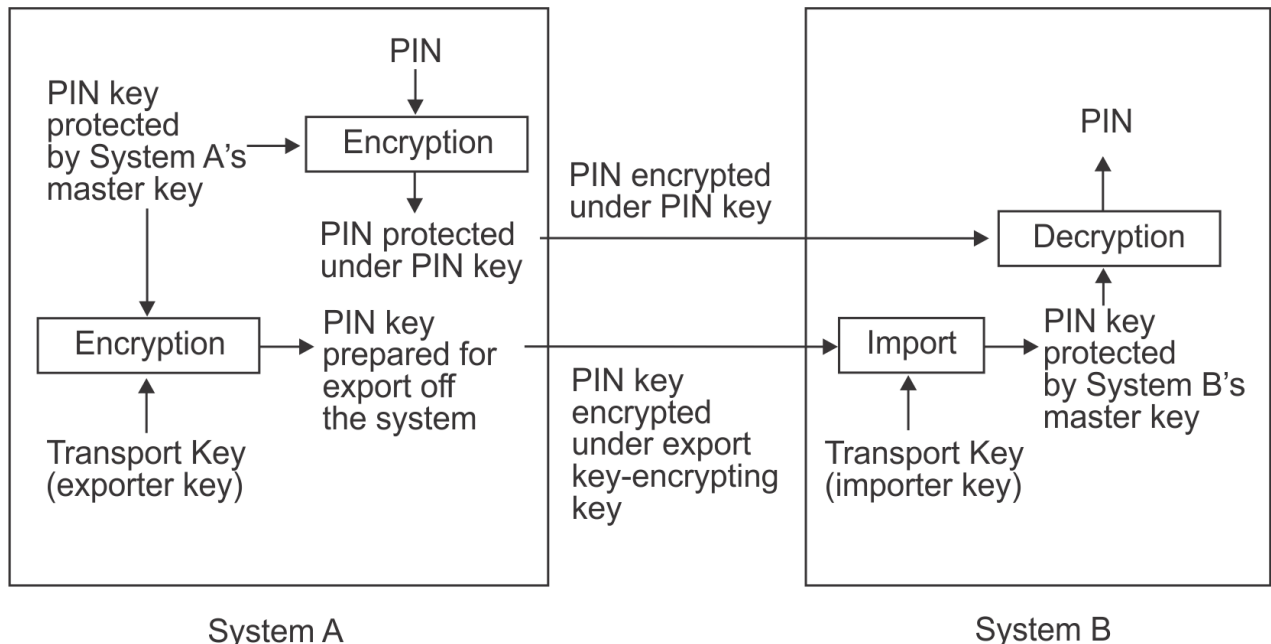


Figure 3. Keys and PINs protected when sent between two systems

Two systems do not share a master key. When you send a key to another system, you do not encrypt it under a master key. You encrypt it under a transport key.

Two systems that exchange keys share transport keys that have the same clear value. At the sending system, the transport key is an exporter key-encrypting key. At the receiving system, the transport key is an importer key-encrypting key. When the sending system wants to send a key, the sending system

encrypts the key under an exporter key-encrypting key. The key is in exportable form on the system that sends the key.

The key is in importable form on the system that receives the key. The receiving system reencrypts the key from under the importer key-encrypting key to under its own master key. The key is then in operational form and can be used on the system.

## Using RSA public keys to protect keys sent between systems

The ability to create more-secure key-exchange systems is one of the advantages of combining DES or AES and PKA support in the same cryptographic system. Because PKA cryptography is more computationally intensive than symmetric cryptography, it is not the method of choice for all cryptographic functions. It can be used, however, in combination with symmetric cryptography to enhance the security of key exchange. Symmetric keys can be exchanged safely between two systems when encrypted using an RSA public key. Sending system and receiving system do not need to share a secret key to be able to exchange RSA-encrypted symmetric keys. An example of this is shown in [Figure 4 on page 26](#). The sending system enciphers the symmetric key under the receiver's RSA public key and sends the enciphered symmetric key to the receiver. The receiver uses his or her RSA private key to decipher the symmetric key.

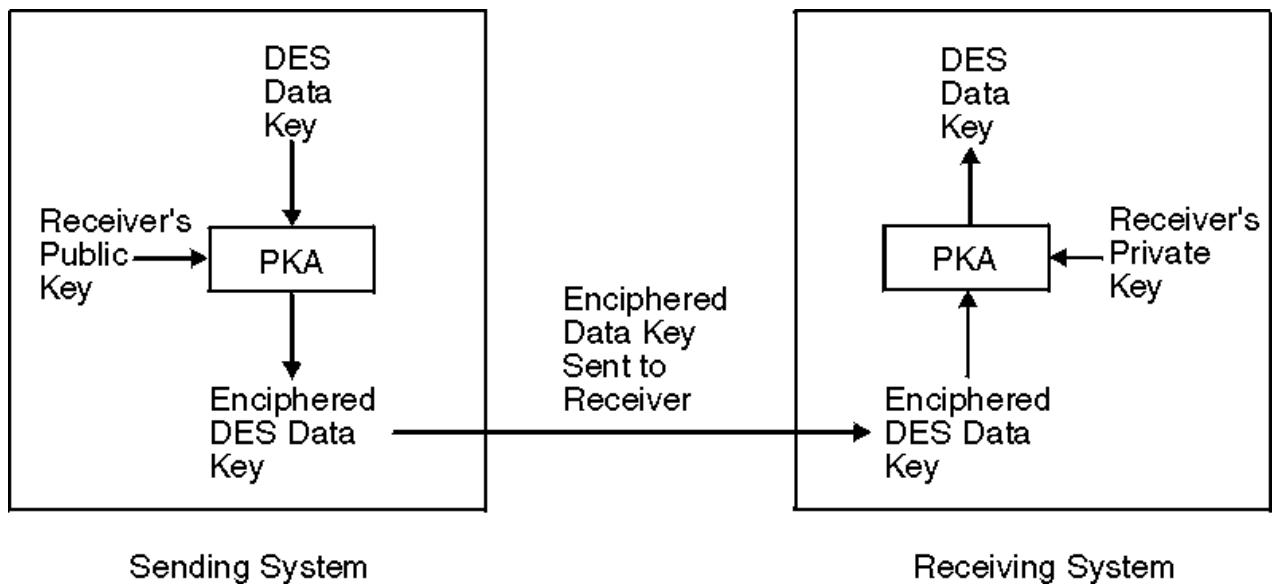


Figure 4. Distributing a DES data-encrypting key using an RSA cryptographic scheme

Not all symmetric keys can be wrapped using an RSA key. AES and DES data-encryption keys are supported (fixed-length format key token) as well as AES and HMAC keys (variable-length format key token).

## Protection of data

You use data-encrypting keys to encrypt data. On a system, a data-encrypting key is often encrypted under the master key.

A data-encrypting key can encrypt data that is stored in a file outside the system. The data-encrypting key itself is encrypted under a transport key.

You may also need to protect data that you send from one system to another system. The data-encrypting key that protects this data must be sent with the data so that the receiving system can decrypt the data. In this case, the data-encrypting key is encrypted under a transport key.

Sometimes two systems that want to exchange data are not directly connected. There may be intermediate systems between the systems that the data must travel through, as in [Figure 5 on page 27](#).

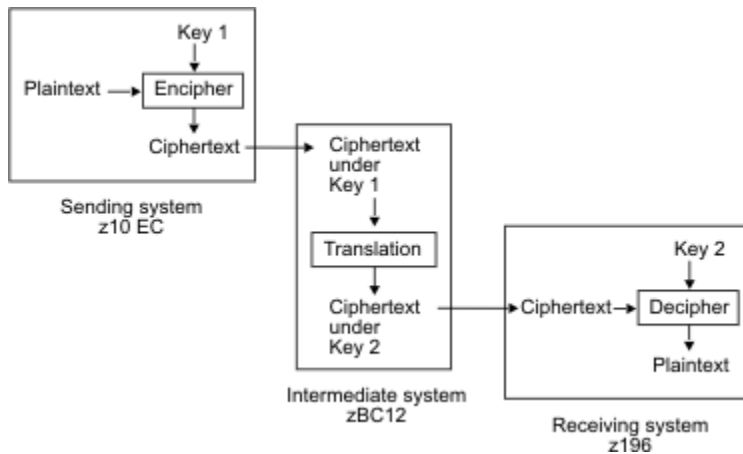


Figure 5. Data protected when sent between intermediate systems

In this situation, when you pass enciphered data to a system, you do not send a data-encrypting key to decipher the data at the receiving system. Instead, the systems establish pairs of data-encrypting and cipher text-translation keys that exist on the systems. These keys encipher and reencipher the data. The data ends up enciphered under a data-encrypting key that exists on the receiving system. Transport keys may be needed to establish the data-encrypting keys and the cipher text-translation keys on the systems.

Both the sending and receiving systems give data-translation keys to the intermediate system. On the intermediate system, a data-translation key from the sending system matches a data-encrypting key on the sending system. In [Figure 5 on page 27](#), this key is called *Key 1*. Also on the intermediate system, a data-translation key from the receiving system matches the data-encrypting key on the receiving system. In [Figure 5 on page 27](#), this key is called *Key 2*. Note that *Key 1* and *Key 2* do not have the same clear key value.

The cipher text-translation keys cannot decipher data. They are used in the ciphertext translate callable service, which reenciphers data from protection under one key to protection under another key.

On the sending system, the plaintext is enciphered under *Key 1*, so it is ciphertext. Then the ciphertext is sent to the intermediate system. At the intermediate system, the data is reenciphered from under *Key 1* to under *Key 2* without appearing as plaintext. When the receiving system receives the ciphertext, the system can decipher the ciphertext from under *Key 2*, so it is plaintext.

Cipher text-translation keys are also used when there is more than one intermediate system between the sending system and receiving system. The sending system and the first intermediate system share a data-encrypting/cipher text-translation key pair. Each pair of neighboring intermediate systems shares a data-translation key pair. The final intermediate system and the receiving system share a cipher text-translation/data-encrypting key pair.



---

## Chapter 3. Managing cryptographic keys

To perform cryptographic services, you need to know how to create, maintain, and use cryptographic keys. This topic discusses CCA key in detail and gives an overview for PKCS #11 keys. For a detail description of PKCS #11, see [z/OS Cryptographic Services ICSF Writing PKCS #11 Applications](#).

There are three types of cryptographic key data sets:

- Cryptographic key data set (CKDS).
- Public key data set (PKDS).
- PKCS #11 token data set (TKDS).

See Chapter 4, “[Setting up and maintaining cryptographic key data sets](#),” on page 65 for additional details.

---

### Managing CCA cryptographic keys

To perform cryptographic services, you need to know how to create, maintain, and use cryptographic CCA keys. This topic gives an overview on entering master keys, generating keys, entering keys into the cryptographic key data set (CKDS) and the public key data set (PKDS), and distributing keys.

### Generating cryptographic keys

#### Symmetric keys

Using ICSF, you can generate DES and AES keys by using either the key generator utility program (KGUP) or the key generate callable service. KGUP stores the key that it generates in the CKDS. The key generate callable service returns the key to the application program that called it instead of storing it in the CKDS. The application program can then call the CKDS key record write service to store the key in the CKDS.

When you use callable services to generate keys, you pass parameters that specify information about the key you want generated. The services generates keys in these possible forms:

- Operational, if the master key protects it.
- Importable, if an importer key-encrypting key protects it.
- Exportable, if an exporter key-encrypting key protects it.

#### **Key Generator Utility Program (KGUP)**

You can use KGUP to generate DES and AES keys in either an operational form or an exportable form. When KGUP generates a key in the operational form, it stores it in the CKDS. When KGUP generates a key in exportable form, you can send it to another system.

To specify the function that you want KGUP to perform, you use KGUP control statements. For a detailed description of how to use the program to generate keys, see [Chapter 13, “Managing Cryptographic Keys Using the Key Generator Utility Program,”](#) on page 167.

#### **Key generate callable service**

The key generate callable service generates a single DES or AES key or a pair of DES keys. The Key Generate2 callable service generates a single AES or HMAC key or a pair of AES or HMAC keys. Unlike KGUP, the key generate callable service does not store the keys in the CKDS, but returns them to the application program that called the service. The application program can then call the dynamic CKDS update service to store the keys in the CKDS.

Use of these callable services is optional and should be enabled as required for authorized usage. Enabling these callable services is not recommended for production and usage requires special consideration.

For more information about these callable services, see [\*z/OS Cryptographic Services ICSF Application Programmer's Guide\*](#).

### ***Services that import clear key values***

There are several services that accept a clear key value and return an operational key. These services can be used to generate keys within an application:

- Clear Key Import
- Multiple Clear Key Import
- Key Part Import
- Key Part Import2
- Multiple Secure Key Import
- Secure Key Import
- Secure Key Import2

The clear key import services takes a single clear key value and returns an operational DES DATA key. The multiple clear key import services take a single clear key value and return an operational AES or DES DATA key.

The key part import services allow applications to create a key using key parts. The key parts are combined together to form a complete key. The key part import service is used with DES keys and the Key Part Import2 service is used with AES keys. A key in the CKDS can be used by these services. The key part bit must be enable in the DES control vector or the AES key associated data for the key to be processed by these services.

The secure key import services are used to create a key from a single clear key part. The key can be in operational or importable form. The multiple secure key import and secure key import services support DES and AES keys in the fixed-length format token. The Secure Key Import2 service supports AES keys in the variable-length format token. Note that the Special Secure Mode control must be enabled to use these services.

The use of these callable services is optional and should be enabled as required for authorized usage. Enabling these callable services is not recommended for production and usage requires special consideration.

For more information about these callable service, see [\*z/OS Cryptographic Services ICSF Application Programmer's Guide\*](#).

### ***Enhanced key management for crypto assist instructions***

To exploit clear key DES and AES instructions on the CPACF, ICSF can generate and format clear DES and AES tokens with a clear key value to be used in callable services and stored in the cryptographic key data set (CKDS). With clear key support on the CKDS, clear keys do not have to appear in application storage during use. Clear key tokens on the CKDS can be referenced by label name in these callable services:

- Symmetric Key Encipher
- Symmetric Key Decipher
- Symmetric MAC Generate
- Symmetric MAC Verify

On systems sharing the CKDS without this support, it is highly recommended that you SAF-protect the label name of the clear key tokens on the other systems. This will provide additional security for your installation. See ["System authorization facility \(SAF\) controls"](#) on page 75 for more information.



## **Encrypted key support for Crypto Assist instructions**

ICSF will exploit the performance of the CP Assist for Cryptographic Functions using encrypted AES and DES keys stored in the CKDS. Symmetric Key Encipher and Symmetric Key Decipher callable services will accept the label of an encrypted key as the key identifier. Field Level Encipher and Field Level Decipher will accept the label or token of an encrypted key as the key identifier. For more information about encryption using protected-key CPACF, see [z/OS Cryptographic Services ICSF Overview](#).

## **Asymmetric keys**

RSA and ECC keys can be generated using the PKA Key Generate service.

The RSA private keys can be generated within the secure boundary of the card and never leave the secure boundary. Only the domain that created the retained key can access it. For more information on how to retain a generated key, see [z/OS Cryptographic Services ICSF Application Programmer's Guide](#).

Normally, the output key is randomly generated. You may find it useful in testing situations to re-create the same key values. By providing regeneration data, a seed can be supplied so that the same value of the generated key can be obtained in multiple instances. To generate the keys based on the value supplied in the `regeneration_data` parameter, you must enable one of these access control points:

- When using the RETAIN keyword, enable the **PKA Key Generate - Permit Regeneration Data Retain** access control point.
- When not using the RETAIN keyword, enable the **PKA Key Generate - Permit Regeneration Data** access control point.

For more information on enabling access control points, refer to [z/OS Cryptographic Services ICSF TKE Workstation User's Guide](#).

## **Entering keys**

This topic gives you an overview of key entry and the methods of key entry.

Master keys are used to protect sensitive cryptographic keys that are active on your system. The number and types of master keys you need to enter depends on your hardware configuration and application requirements:

- The DES master key (DES-MK) protects DES keys.
- The RSA master key (RSA-MK) protects RSA keys.
- The AES master key (AES-MK) protects AES keys and HMAC keys.
- The ECC master key (ECC-MK) protects ECC and RSA keys.

The first time you start ICSF on your system, you may enter master keys and initialize the CKDS and PKDS. You can then generate and enter the keys you use to perform cryptographic functions. The master keys you enter protect sensitive keys stored in the CKDS and PKDS.

If you have no coprocessor, you can initialize the CKDS for use with clear AES and DES data keys. This CKDS cannot be used on a system with cryptographic coprocessors.

Because master key protection is essential to the security of the other keys, ICSF stores the master keys within the secure hardware of the cryptographic coprocessors. This nonvolatile key storage area is unaffected by system power outages because it is protected by a battery power unit. The values of the master keys never appear in the clear outside the cryptographic coprocessors.

Managing master keys involves these tasks:

- Entering the master keys the first time you start ICSF.
- Reentering the master keys if they are cleared.
- Changing master keys periodically.

## Entering master keys

The types of master keys you can enter and the steps you take to enter master keys depend on your system processor and hardware features.

The following methods may be used to enter master keys:

- Pass phrase initialization

The pass phrase initialization utility allows the user of ICSF to set all of the CCA master keys available on their systems and initialize the CKDS and PKDS. For steps in using the pass phrase initialization utility, see [Chapter 7, “Using the pass phrase initialization utility,” on page 87.](#)

- Master Key Entry panels

The Master Key Entry panels are enhanced ISPF panels enabling you to enter master key parts in the clear. Use these panels to enter master key parts into CCA coprocessors. The master key parts appear briefly in the clear in MVS host storage within the address space of the TSO user before being transferred to the secure hardware. Within the boundaries of the secure hardware, the key parts are combined to produce the master key. The master key part entry panels provide a level of security for master key entry that is superior to that provided with PCF. Master key part entry is provided for installations where the security requirements do not warrant the additional expense of the optional TKE workstation. For master key entry steps on the coprocessors, see [Chapter 8, “Managing CCA Master Keys,” on page 93.](#)

- Trusted Key Entry (TKE) workstation

The TKE workstation is an optional hardware feature. The TKE workstation uses a variety of public key cryptographic techniques to ensure both the integrity and privacy of the logically secure master key transfer channel. You can use a single TKE workstation to set up master keys in all CCA and EP11 coprocessors within a server complex.

- TKE must be used to enter P11 master keys on a PKCS #11 cryptographic coprocessor.

For information on using the TKE workstation, see [z/OS Cryptographic Services ICSF TKE Workstation User's Guide.](#)

Servers or processor models may have multiple cryptographic coprocessors. The master keys must be the same for all coprocessors accessed by the same operating system.

When you have entered symmetric master keys, go to the Key Data Set Management panel to:

- Create the CKDS header record.
- Activate the DES master key and/or AES master key and read the CKDS into storage.
- Create system keys that ICSF uses for internal processing and read the CKDS into storage again.

When you have entered the asymmetric master keys, go to the Key Data Set Management panel to initialize the PKDS. This process will:

- Create the PKDS header record.
- Activate the RSA master key and/or the ECC master key and read that PKDS into storage.

When you have entered the P11 master keys, select option 1 from the ICSF TKDS Master Key Management panel to initialize the TKDS. This process will:

- Create the TKDS header record.
- Activate the P11 master key.

## Entering system keys into the CKDS

The ICSF CKDS has several sets of system keys. These are the keys with labelname of X'00' and are installed during CKDS initialization.

The system keys are required in the fixed-length format CKDS with record authentication enabled. These keys are created when the CKDS is initialized. If record authentication is not enabled, no system keys are created when the CKDS is initialized.

There are no system keys required for the variable-length format CKDS. Other existing system keys in a CKDS initialized on an older server are not used and their presence in the CKDS has no effect on operations.

## Entering keys into the CKDS

All DES, AES, and HMAC keys (except for master keys) can be stored in the CKDS.

There are several methods you can use to enter keys into the CKDS:

- Key generator utility program (KGUP)

You can use KGUP to enter keys into the CKDS.

- Dynamic CKDS update callable services

You can program applications to use the CKDS key record create service to create new entries in the CKDS and use the CKDS key record write service to enter key tokens into the CKDS.

- Trusted Key Entry (TKE) workstation

DES operational key support is available for all CCA Cryptographic coprocessors. AES operational key support is available for CCA Cryptographic coprocessors that are a CEX2C and later. You can load key parts for all operational keys into key part registers on the card. To load the accumulated key into the CKDS, you must use the ICSF Operational Key Load panel or KGUP. For more information, refer to the *z/OS Cryptographic Services ICSF TKE Workstation User's Guide*.

- Enterprise Key Management Foundation (EKMF)

The Enterprise Key Management Foundation (EKMF) provides online key management to ICSF as well as to IBM cryptographic products on other platforms. EKMF offers centralized key management for CCA symmetric and asymmetric keys and for certificates. EKMF automates the key management process and exchanges and replaces keys and certificates on demand. Also, to assure continuous operation, EKMF maintains backup copies of all critical keys.

For additional information, contact the [Crypto Competence Center, Copenhagen \(www.ibm.com/security/key-management\)](http://www.ibm.com/security/key-management).

The table in [Table 24 on page 33](#) shows which keys can be entered by each of these methods.

Key Type	KGUP	Dynamic Update	TKE	EKMF
<b>Data-encrypting (DES DATA)</b>	X	X		X
<b>Data-encrypting (AES and DES CIPHER)</b>	X	X	X	X
<b>Cipher text translation</b>	X	X	X	X
<b>HMAC</b>		X		X
<b>MAC (AES and DES)</b>	X	X	X	X
<b>PIN (AES and DES)</b>	X	X	X	X
<b>Transport keys (AES and DES)</b>	X	X	X	X

Table 24. Methods for entering each key type into the CKDS (continued)

Key Type	KGUP	Dynamic Update	TKE	EKMF
Key-generating (AES and DES)	X	X	X	X

### Entering keys by using the key generator utility program

One function that KGUP performs is to enter key values that you supply into the CKDS. You can enter a clear or encrypted key value by using KGUP.

You submit KGUP control statements to specify to KGUP the function that you want KGUP to perform. To enter a key, you specify the key value in a KGUP control statement. You can either specify an encrypted or clear key value.

When you enter an encrypted key value, the key value must be encrypted under an importer key-encrypting key that exists in the CKDS. You use the KGUP control statement to specify which importer key-encrypting key encrypts the key. KGUP reenciphers the key from under the importer key-encrypting key to under the master key and places the key in the CKDS.

When you enter a clear key value, KGUP enciphers the clear key value under the master key and places the key in the CKDS. Because entering clear keys may endanger security, ICSF must be in special secure mode before you can enter a clear key by using KGUP. Special secure mode lowers the security of your system to allow you to use KGUP to enter clear keys and to produce clear PINs.

#### Special secure mode

To use special secure mode, you must either:

- Define the CSF.SSM.ENABLE SAF profile in the XFACILIT SAF resource class.
- Specify YES for the SSM installation option in the installation options data.

For information about specifying installation options, see [z/OS Cryptographic Services ICSF System Programmer's Guide](#).

If these conditions permit the use of special secure mode, it is enabled automatically when you specify that you are entering clear key values in a KGUP statement.

For a detailed description of how to use KGUP to enter keys, see [Chapter 13, "Managing Cryptographic Keys Using the Key Generator Utility Program,"](#) on page 167.

### Entering keys by using the dynamic CKDS update services

ICSF provides a set of callable services that allow applications to dynamically update the CKDS. Applications can use the CKDS Key Record Create service to create new records in the CKDS, the CKDS Key Record Write service to write a key token to an existing record, and CKDS Key Record Delete service to remove a record from the CKDS. These dynamic updates affect both the DASD copy of the CKDS currently in use and the in-storage copy. Another service allows an application to retrieve the key token from a record in the in-storage CKDS. That token can be used directly in subsequent CALLS to cryptographic services. The Key Part Import and Key Part Import2 callable services combines the clear key parts and returns the key value either in an internal key token or as a dynamic update to the CKDS. For more information on using the dynamic CKDS update services or the key part import services, see [z/OS Cryptographic Services ICSF Application Programmer's Guide](#).

### Entering keys into the PKDS

All ECC and RSA public and private keys and trusted blocks may be stored in the public key data set (PKDS).

There are several methods you can use to enter keys into the PKDS:

- Callable services

You can use the PKA Key Generate callable service to update a skeleton token in the PKDS with a generated private key token.

- Dynamic PKDS update callable services

You can program applications to use the PKDS key record create service to create new entries in the PKDS and the PKDS key record write service to enter key tokens into the PKDS.

- Trusted Key Entry (TKE) workstation

RSA and ECC private keys can be imported from the TKE workstation and stored in the PKDS. For more information, see [z/OS Cryptographic Services ICSF TKE Workstation User's Guide](#).

- Enterprise Key Management Foundation (EKMF)

The Enterprise Key Management Foundation (EKMF) provides online key management to ICSF as well as to IBM cryptographic products on other platforms. EKMF offers centralized key management for CCA symmetric and asymmetric keys and for certificates. EKMF automates the key management process and exchanges and replaces keys and certificates on demand. Also, to assure continuous operation, EKMF maintains backup copies of all critical keys.

For additional information, contact the [Crypto Competence Center, Copenhagen \(www.ibm.com/security/key-management\)](http://www.ibm.com/security/key-management).

- ICSF PKDS Key Management panels

RSA keys in the PKDS can be managed using the PKDS key management panel utilities.

- You can generate an RSA key which is stored in the PKDS.
- You can delete any key from the PKDS.
- You can create an X.509 certificate to export an RSA public key in the PKDS.
- You can import an RSA public key from an X.509 certificate and store it in the PKDS. For more information, see Chapter 18, “Using the utility panels to manage keys in the PKDS,” on page 343.

### ***Entering keys by using the dynamic PKDS update services***

ICSF provides a set of callable services that allow applications to dynamically update the PKDS. Applications can use the PKDS Key Record Create service to create new records in the PKDS, the PKDS Key Record Write service to write a key token to an existing record, and PKDS Key Record Delete service to remove a record from the PKDS. These dynamic updates affect both the DASD copy of the PKDS currently in use and the in-storage copy. Another service allows an application to retrieve the key token from a record in the in-storage PKDS. That token can be used directly in subsequent CALLs to cryptographic services. For more information on using the dynamic PKDS update services, see [z/OS Cryptographic Services ICSF Application Programmer's Guide](#).

## **Maintaining cryptographic keys**

### **CKDS**

You can use either KGUP, the dynamic CKDS update services, or Enterprise Key Management Foundation (EKMF) to generate and enter keys into the CKDS or to maintain keys already existing in the CKDS. The keys are stored in records. A record exists for each key that is stored in the CKDS.

A record in the CKDS is called a *key entry* and has a label associated with it. When you call some ICSF callable services, you specify a key label as a parameter to identify the key for the callable service to use.

Use KGUP to change the key value of an entry, rename entry labels, and delete entries in the CKDS. For more information about how to use KGUP to update key entries in the CKDS, see [Chapter 13, “Managing Cryptographic Keys Using the Key Generator Utility Program,” on page 167](#).

Use the dynamic CKDS update services in applications to create entries, change the key value of an entry, and delete entries in the CKDS.

You can use SAF to control which applications can use specific keys and services. For more information, see [“System authorization facility \(SAF\) controls” on page 75](#).

One or more resource profiles in the XFACILIT class define your Key Store Policy. A Key Store Policy consists of a number of controls that collectively determine how encrypted key tokens defined in the CKDS can be accessed and used.

## PKDS

You can use either the dynamic PKDS update services, PKDS Key Management panels, the TKE workstation, or Enterprise Key Management Foundation (EKMF) to generate and enter keys into the PKDS or to maintain keys already existing in the PKDS. The keys are stored in records. A record exists for each key that is stored in the PKDS.

A record in the PKDS is called a *key entry* and has a label associated with it. When you call some ICSF callable services, you specify a key label as a parameter to identify the key for the callable service to use.

Use the dynamic PKDS update services in applications to create entries, change the key value of an entry, and delete entries in the PKDS.

You can use SAF to control which applications can use specific keys and services. For more information, see [“System authorization facility \(SAF\) controls” on page 75](#).

One or more resource profiles in the XFACILIT class define your Key Store Policy. A Key Store Policy consists of a number of controls that collectively determine how encrypted key tokens defined in the PKDS can be accessed and used.

## Key Store Policy

A Key Store Policy defines rules for how encrypted key tokens stored in a CKDS or PKDS can be accessed and used. A Key Store Policy is collectively defined by a number of separate controls that each specify a particular rule. Most of the Key Store Policy controls work in conjunction with profiles in the CSFKEYS class and enable you to:

- Specify how ICSF should respond when a key token is passed to a callable service instead of a key label (which is needed to perform a SAF authorization check).
- Determine if applications should be prevented from creating a new key record (with a new key label) for a token that is already stored in the CKDS or PKDS (in a key record with a different key label).
- Specify if READ access authority is sufficient to create, write to, or delete a key label, or if a higher level of access authority should be required for these actions.
- Specify if READ access authority to an AES or DES key is sufficient to export the key (move it from encryption under a master key to encryption under an RSA key), or if UPDATE authority should be required for this action.
- Place restrictions on how keys can be used. You can:
  - Restrict a particular AES or DES key from being exported, or allow it to be exported only by certain RSA keys (or only by RSA keys bound to identities in certain key certificates).
  - Restrict certain RSA keys from being used in secure export and import operations, or from being used in handshake operations.
- Allows archived records in the CKDS and PKDS to be used by applications.
- Allows archived object records in the TKDS to be used by applications.

Each Key Store Policy control is a resource in the XFACILIT class, and can be enabled by creating a profile for the resource using the RDEFINE command. Similarly, you can disable a control by deleting its profile using the RDELETE command.

Certain controls, when enabled, will *activate* Key Store Policy for either the CKDS or PKDS. When Key Store Policy is *activated*, ICSF will identify the key label or labels associated with each key token in the key store. This information is needed, for example, in order to carry out SAF authorization checks against RACF profiles (which are based on key labels) when a key token is passed to a callable service, or to

ensure an application does not store a duplicate token (a token that is already stored, but associated with a different key label) in the key store. In addition to the controls that activate Key Store Policy, other controls that do not themselves activate Key Store Policy may still require, or to a lesser degree rely upon, an active Key Store Policy and its key token/label associations. The following table outlines the Key Store Policy controls that are available. This table also highlights the controls that activate Key Store Policy for a CKDS or PKDS, as well as the dependencies the other controls have on Key Store Policy being active. Be aware that Key Store Policy is activated separately for a CKDS and a PKDS.

### Defining a Key Store Policy

A Key Store Policy is made up of a number of controls. Each Key Store Policy control is a resource in the XFACILIT class. The existence of a profile for a particular resource in the XFACILIT class enables that control. A Key Store Policy applies only to encrypted keys in a CKDS or PKDS.

The following Key Store Policy controls:	Consist of the following XFACILIT class resources:	Description:
<b>Key Token Authorization Checking controls</b> Verifies, when an application passes a callable service a key token instead of a key label, that the user has authority to the key token in the CKDS or PKDS. It does this by identifying the key label associated with the passed token.	CSF.CKDS.TOKEN.CHECK.LABEL.WARN	<b>Activates Key Store Policy for CKDS.</b> Enables Key Token Authorization Checking for the CKDS in warning mode. In this mode, a failing authorization check will result in a warning, but the operation will be allowed to continue.
	CSF.CKDS.TOKEN.CHECK.LABEL.FAIL	<b>Activates Key Store Policy for CKDS.</b> Enables Key Token Authorization Checking for the CKDS in fail mode. In this mode, ICSF does not allow the operation to continue when the authorization check fails. The service returns with an error.
	CSF.PKDS.TOKEN.CHECK.LABEL.WARN	<b>Activates Key Store Policy for PKDS.</b> Enables Key Token Authorization Checking for the PKDS in warning mode. In this mode, a failing authorization check will result in a warning, but the operation will be allowed to continue.
	CSF.PKDS.TOKEN.CHECK.LABEL.FAIL	<b>Activates Key Store Policy for PKDS.</b> Enables Key Token Authorization Checking for the PKDS in fail mode. In this mode, ICSF does not allow the operation to continue when the authorization check fails. The service returns with an error.
<b>Default Key Label Checking controls</b> Specifies that ICSF should use a default profile to determine application access to tokens that are not stored in the CKDS or PKDS. Can be enabled only if the Key Token Authorization Checking control for the appropriate key store is also enabled.	CSF.CKDS.TOKEN.CHECK.DEFAULT.LABEL	<b>Requires an active Key Store Policy for CKDS.</b> Specifically, this control can be enabled only if the CSF.CKDS.TOKEN.CHECK.LABEL.WARN or CSF.CKDS.TOKEN.CHECK.LABEL.FAIL control is also enabled. Specifies that ICSF should use the default profile CSF-CKDS-DEFAULT in the CSFKEYS class to determine user access to tokens that are not stored in the CKDS.

Table 25. Key Store Policy controls (continued)

The following Key Store Policy controls:	Consist of the following XFACILIT class resources:	Description:
	CSF.PKDS.TOKEN.CHECK.DEFAULT.LABEL	<b>Requires an active Key Store Policy for PKDS.</b> Specifically, this control can be enabled only if the CSF.PKDS.TOKEN.CHECK.LABEL.WARN or CSF.PKDS.TOKEN.CHECK.LABEL.FAIL control is also enabled. Specifies that ICSF should use the default profile CSF-PKDS-DEFAULT in the CSFKEYS class to determine user access to tokens that are not stored in the PKDS.
<b>Duplicate Key Token Checking controls</b> <b>Prevents applications from storing duplicate tokens in the CKDS or PKDS.</b>	CSF.CKDS.TOKEN.NODUPLICATES	<b>Activates Key Store Policy for CKDS.</b> Enables Duplicate Key Token Checking for the CKDS. ICSF will prevent an application from creating a new key record (with a new key label) for a token that is already stored in the CKDS.
	CSF.PKDS.TOKEN.NODUPLICATES	<b>Activates Key Store Policy for PKDS.</b> Enables Duplicate Key Token Checking for the PKDS. ICSF will prevent an application from creating a new key record (with a new key label) for a token that is already stored in the PKDS.
<b>Granular Key Label Access controls</b> <b>Increases the level of access authority required to create, write to, or delete a key label.</b>	CSF.CSFKEYS.AUTHORITY.LEVELS.WARN	Enables Granular Key Label Access in warning mode. In this mode, a warning will be issued if the user does not have UPDATE authority (if creating a label), or CONTROL authority (if writing to or deleting a label). As long as the user has READ authority, however, ICSF will allow the operation to continue. <b>Does not require an active Key Store Policy for CKDS or PKDS. However, if a key token is passed to a callable service instead of a key label, ICSF will, in order to initiate a SAF authorization check, rely on an active Key Store Policy for the appropriate key store.</b>
	CSF.CSFKEYS.AUTHORITY.LEVELS.FAIL	Enables Granular Key Label Access in fail mode. In this mode, ICSF will not allow a key label to be modified if the user does not have UPDATE authority (if creating a label), or CONTROL authority (if writing to or deleting a label). The service returns with an error. <b>Does not require an active Key Store Policy for CKDS or PKDS. However, if a key token is passed to a callable service instead of a key label, ICSF will, in order to initiate a SAF authorization check, rely on an active Key Store Policy for the appropriate key store.</b>
<b>Symmetric Key Label Export controls</b> <b>Specifies that profiles in the XCSFKEY class (instead of profiles in the CSFKEYS class) should be used to determine access to AES or DES keys that an application is attempting to export using the Symmetric Key Export (CSNDSYX, CSNFSYX, or CSNDSXD) callable service. This allows you to control access to AES and DES keys for the purpose of key export separately from the access allowed to the keys for other purposes.</b>	CSF.XCSFKEY.ENABLE.AES	Enables Symmetric Key Label Export for AES keys. Specifies that profiles in the XCSFKEY class should determine access to an AES key when an application is attempting to export it using the Symmetric Key Export callable services: CSNDSYX or CSNDSXD. <b>Does not require an active Key Store Policy for CKDS. Note that the Key Token Authorization Checking control must be enabled in order for a SAF authorization check to be performed on key tokens.</b>



Table 25. Key Store Policy controls (continued)

The following Key Store Policy controls:	Consist of the following XFACILIT class resources:	Description:
	CSF.XCSFKEY.ENABLE.DES	Enables Symmetric Key Label Export for DES keys. Specifies that profiles in the XCSFKEY class should determine access to a DES key when an application is attempting to export it using the Symmetric Key Export callable services: CSNDSYX or CSNDSXD. <b>Does not require an active Key Store Policy for CKDS. Note that the Key Token Authorization Checking control must be enabled in order for a SAF authorization check to be performed on key tokens.</b>
<p><b>PKA Key Management Extensions control</b></p> <p><b>Specifies that the ICSF segment of profiles in the CSFKEYS class (and the XCSFKEY class when a Symmetric Key Label Export control is enabled) will be checked to determine additional restrictions on how keys covered by the profile can be used.</b></p>	CSF.PKAEXTNS.ENABLE.WARNONLY	<p><b>Requires an active Key Store Policy for CKDS and PKDS.</b> Enables PKA Key Management Extensions in warning mode. The ICSF segment of CSFKEYS or XCSFKEY profiles will be checked to:</p> <ul style="list-style-type: none"> <li>• determine if a symmetric key can be exported, and, if so, which asymmetric keys can be used in the operation to re-encrypt the symmetric key.</li> <li>• determine if an asymmetric key can be used in secure export and import operations, or in handshake operations.</li> </ul> <p>However, because this is warning mode, ICSF will allow the operation to continue even if the ICSF segment indicates that the operation is not allowed.</p>
	CSF.PKAEXTNS.ENABLE	<p><b>Requires an active Key Store Policy for CKDS and PKDS.</b> Enables PKA Key Management Extensions in fail mode. The ICSF segment of CSFKEYS or XCSFKEY profiles will be checked to:</p> <ul style="list-style-type: none"> <li>• Determine if a symmetric key can be exported, and, if so, which asymmetric keys can be used in the operation to re-encrypt the symmetric key.</li> <li>• Determine if an asymmetric key can be used in secure export and import operations, or in handshake operations.</li> </ul> <p>If the ICSF segment indicates that the operation is not allowed, the service returns with an error.</p>
<p><b>Key Archive Use control</b></p> <p><b>Specifies that ICSF allows an application to use the key material of a CKDS, PKDS, or TKDS record that has been archived.</b></p>	CSF.KDS.KEY.ARCHIVE.USE	Enables the Key Archive Use control. ICSF will not fail a service request using the label of an archived CKDS, PKDS, or TKDS record.

For more information on the:

- Key Token Authorization Checking controls, refer to [“Enabling access authority checking for key tokens” on page 40.](#)
- Default Key Label Checking controls, refer to [“Determining access to tokens not stored in the CKDS or PKDS” on page 41.](#)
- Duplicate Key Token Checking controls, refer to [“Enabling duplicate key label checking” on page 42.](#)
- Granular Key Label Access controls, refer to [“Increasing the level of authority needed to modify key labels” on page 43.](#)
- Symmetric Key Label Export controls, refer to [“Increasing the level of authority required to export symmetric keys” on page 44.](#)
- PKA Key Management Extension control, refer to [“Controlling how cryptographic keys can be used” on page 46.](#)
- Key Archive Use controls, refer to [“Enabling use of archived KDS records” on page 55.](#)

## Enabling access authority checking for key tokens

Profiles in the CSFKEYS class determine access authority to cryptographic keys. However, CSFKEYS profiles protect keys by their key label (discrete or generic CSFKEYS profiles are named to match one or more key labels), and ICSF callable services accept either a key label or key token. By enabling Key Token Authorization Checking controls, you can have ICSF identify a key token's associated key label so that a SAF authorization check can be performed. This lets you implement a consistent security policy for keys regardless of how they are identified (by key label or key token) to callable services.

Note that the CSFKEYS checking of the optional private-key name in PKA private key tokens for RSA tokens occurs before any Key Token Authorization Checking. Also, private-key name checking is not affected by Key Token Authorization Checking controls.

Separate Key Token Authorization Checking controls are provided for activating the checking for either a CKDS or a PKDS in either warning or fail mode. In warning mode, authorization checking is performed, but an application will not be prevented from using a token even when the user lacks the necessary authority. Instead, ICSF will merely log an SMF type 82 subtype 25 record in the SMF data set. Warning mode allows you to identify users who will need access permission to a key prior to moving to a stricter implementation of the Key Token Authorization Checking policy.

This stricter implementation of the policy is called fail mode. In fail mode, an application will be denied access to a token when the user does not have authority to access it. The operation will be unsuccessful, and a return code 8, reason code BF7 (3063) will be returned to the calling application. As with warning mode, ICSF will log an SMF type 82 subtype 25 record in the SMF data set. In addition, RACF will log an SMF type 80 record (with event code qualifier of ACCESS). The resource name in the SMF type 80 record will be the first label associated with the key token that failed the check.

Because the same token could be associated with multiple key records in the key store, when an application passes an encrypted key token to an ICSF callable service, ICSF locates all the labels associated with the passed token. If the user has permission to any of the key labels, then the application is granted authority to use the token. Because access authority to any label associated with a token will give a user access to the token, you may want to ensure that the key store does not contain multiple key records for the same key token. ICSF provides a utility program, CSFDUTIL, that generates a report of all duplicate keys for either a CKDS or PKDS. To prevent duplicate keys from being added to a key store, you can enable the Duplicate Key Token Checking control for either the CKDS or PKDS as described in “Enabling duplicate key label checking” on page 42.

If ICSF cannot find an associated key label for the passed token in the key store, no authorization checking will be performed on the use of the key unless the Default Key Label Checking control is enabled for the key store. If the Default Key Label Checking control is enabled (as described in “Determining access to tokens not stored in the CKDS or PKDS” on page 41), a default profile will determine user access when ICSF cannot identify an associated label for the passed token.

The following table shows the controls for enabling Key Token Authorization Checking for the CKDS and PKDS in either warning or fail mode. To enable one of the Key Token Authorization Checking controls, create the appropriate profile in the XFACILIT class.

The existence of this resource profile in the XFACILIT class:	Does this:
<b>CSF.CKDS.TOKEN.CHECK.LABEL.WARN</b>	<b>Activates Key Store Policy for CKDS.</b> Enables Key Token Authorization Checking for the CKDS in warning mode. In this mode, a failing authorization check will result in a warning, but the operation will be allowed to continue.
<b>CSF.CKDS.TOKEN.CHECK.LABEL.FAIL</b>	<b>Activates Key Store Policy for CKDS.</b> Enables Key Token Authorization Checking for the CKDS in fail mode. In this mode, ICSF does not allow the operation to continue when the authorization check fails. The service returns with an error.
<b>CSF.PKDS.TOKEN.CHECK.LABEL.WARN</b>	<b>Activates Key Store Policy for PKDS.</b> Enables Key Token Authorization Checking for the PKDS in warning mode. In this mode, a failing authorization check will result in a warning, but the operation will be allowed to continue.

Table 26. Key Store Policy controls: The Key Token Authorization Checking controls (continued)	
The existence of this resource profile in the XFACILIT class:	Does this:
<b>CSF.PKDS.TOKEN.CHECK.LABEL.FAIL</b>	<b>Activates Key Store Policy for PKDS.</b> Enables Key Token Authorization Checking for the PKDS in fail mode. In this mode, ICSF does not allow the operation to continue when the authorization check fails. The service returns with an error.

For example, say you want to enable Key Token Authorization Checking for both a CKDS and a PKDS. You're not certain all the users currently accessing key tokens in these key stores will have the necessary access authority, and do not want to disrupt current work patterns at your installation. For this reason, you decide to allow a warning period during which you can identify users who will need permission to access certain key tokens. The following commands will enable Key Token Authorization Checking for the CKDS and the PKDS in warning mode.

```
RDEFINE XFACILIT CSF.CKDS.TOKEN.CHECK.LABEL.WARN
RDEFINE XFACILIT CSF.PKDS.TOKEN.CHECK.LABEL.WARN
SETROPTS RACLIST(XFACILIT) REFRESH
```

During the warning period, you can, by examining the SMF type 82 subtype 25 records logged in the SMF data set, identify the users who need permission to access keys. You can then create or modify the necessary profiles in the CSFKEYS class. When you are ready to move to a stricter implementation of this policy, you enable the controls for fail mode and disable the ones for warning mode.

```
RDEFINE XFACILIT CSF.CKDS.TOKEN.CHECK.LABEL.FAIL
RDEFINE XFACILIT CSF.PKDS.TOKEN.CHECK.LABEL.FAIL
RDELETE XFACILIT CSF.CKDS.TOKEN.CHECK.LABEL.WARN
RDELETE XFACILIT CSF.PKDS.TOKEN.CHECK.LABEL.WARN
SETROPTS RACLIST(XFACILIT) REFRESH
```

If you accidentally enable the Key Token Authorization Checking controls for both warning and fail mode, the control for fail mode will take precedence.

### **Determining access to tokens not stored in the CKDS or PKDS**

When the Key Token Authorization Checking control for a key store has been enabled and a token is passed to a callable service, ICSF will find the key label or labels associated with the passed token so that a SAF authority check can be performed. If, however, the token passed to the callable service is not in the key store, there will be no associated key label to find. By default, no authorization checking is performed on the use of the key, and the operation is allowed. If you enable the Default Key Label Checking control for the CKDS or PKDS, however, ICSF will use a default profile to determine user access to tokens that are not in the key store.

Separate controls are provided for enabling Default Key Label Checking for a CKDS or a PKDS, The Default Key Label Checking control will be enabled only if the Key Token Authorization Checking control for the appropriate key store is also enabled. Refer to [“Enabling access authority checking for key tokens” on page 40](#) for more information. To enable one the Default Key Label Checking controls, create the appropriate profile in the XFACILIT class.

Table 27. Key Store Policy controls: The Default Key Label Checking controls	
The existence of this resource profile in the XFACILIT class:	Does this:
<b>CSF.CKDS.TOKEN.CHECK.DEFAULT.LABEL</b>	Specifies that ICSF should use the default profile CSF-CKDS-DEFAULT in the CSFKEYS class to determine user access to tokens that are not stored in the CKDS. This control is enabled only if the CSF.CKDS.TOKEN.CHECK.LABEL.WARN or CSF.CKDS.TOKEN.CHECK.LABEL.FAIL control is also enabled.
<b>CSF.PKDS.TOKEN.CHECK.DEFAULT.LABEL</b>	Specifies that ICSF should use the default profile CSF-PKDS-DEFAULT in the CSFKEYS class to determine user access to tokens that are not stored in the PKDS. This control is enabled only if the CSF.PKDS.TOKEN.CHECK.LABEL.WARN or CSF.PKDS.TOKEN.CHECK.LABEL.FAIL control is also enabled.

For example, to enable the Default Key Label Checking control for a CKDS, you would:

1. Create the default profile CSF-CKDS-DEFAULT in the CSFKEYS class.

```
RDEFINE CSFKEYS CSF-CKDS-DEFAULT UACC(NONE)
```

2. By defining the universal access authority (UACC) as NONE in the preceding step, the use of key tokens that do not reside in the key store has been prohibited. If necessary, however, you can give appropriate users (preferably groups) access in the CSF-CKDS-DEFAULT profile and refresh the CSFKEYS class in storage:

```
PERMIT CSF-CKDS-DEFAULT CLASS(CSFKEYS) ID(group-id) ACCESS(READ)
SETROPTS RACLIST(CSFKEYS) REFRESH
```

3. Create a profile for the CSF.CKDS.TOKEN.CHECK.DEFAULT.LABEL resource in the XFACILIT class, and refresh the XFACILIT class in storage.

```
RDEFINE XFACILIT CSF.CKDS.TOKEN.CHECK.DEFAULT.LABEL
SETROPTS RACLIST(XFACILIT) REFRESH
```

**Note:** If SAF profile prefixing is enabled, the CSF-CKDS-DEFAULT or CSF-PKDS-DEFAULT CSFKEYS profiles must be defined with the appropriate prefix prepended to the profile name.

### Enabling duplicate key label checking

A key token could be stored in a key store within multiple key records and so could be associated with multiple key labels. When the Key Token Authorization Checking control is enabled for the key store, duplicate tokens can cause problems because all labels that are associated with a key token passed to an ICSF callable service will be used to determine user access to that token. Although you may deliberately restrict access to a token by one of the labels associated with it, a user might still have access to the token through another label. You can enable the Duplicate Key Token Checking control for the CKDS or PKDS to prevent applications from storing duplicate tokens in the key store. When enabled, ICSF services that update the key store will check for duplicate tokens. ICSF will not allow a key token to be written to the key store if it matches a token that is already stored. The Duplicate Key Token Checking controls do not rely on SAF authorization checks against CSFKEYS class profiles. Instead, the callable services that update the key store will verify that a duplicate token does not already exist within the key store.

**Note:** Enabling the Duplicate Key Token Checking control for the CKDS or PKDS ensures only that no duplicate keys are added to the key store. To identify any duplicate key tokens that may already exist in a CKDS or PKDS, use the CSFDUTIL utility program. The CSFDUTIL utility program generates a report of all duplicate keys in either a CKDS or a PKDS.

Separate controls are provided for enabling Duplicate Key Token Checking for a CKDS or a PKDS. To enable either of the Duplicate Key Token Checking controls, create the appropriate profile in the XFACILIT class.

The existence of this resource profile in the XFACILIT class:	Does this:
<b>CSF.CKDS.TOKEN.NODUPLICATES</b>	<b>Activates Key Store Policy for CKDS.</b> Enables Duplicate Key Token Checking for the CKDS. ICSF will prevent an application from creating a new key record (with a new key label) for a token that is already stored in the CKDS.
<b>CSF.PKDS.TOKEN.NODUPLICATES</b>	<b>Activates Key Store Policy for PKDS.</b> Enables Duplicate Key Token Checking for the PKDS. ICSF will prevent an application from creating a new key record (with a new key label) for a token that is already stored in the PKDS.

For example, to ensure that duplicate tokens are not stored in either the CKDS or PKDS, you would enter the following commands:

```
RDEFINE XFACILIT CSF.CKDS.TOKEN.NODUPLICATES
RDEFINE XFACILIT CSF.PKDS.TOKEN.NODUPLICATES
SETROPTS RACLIST(XFACILIT) REFRESH
```

## Increasing the level of authority needed to modify key labels

A number of ICSF callable services enable an application to create, write to, or delete a key label. By default, the user needs only READ authority to read from, create, write to, or delete a label. In some cases, however, you might want to require a higher level of authority for modifying a label than is required to merely read a label. By enabling the Granular Key Label Access control, you increase the level of access authority required to create, write to, or delete a label, while still requiring only READ authority for cryptographic functions. This way, you can give a user permission to access a key for encryption or decryption operations, while preventing that same user from changing or deleting the key record.

The following table outlines the increased access authority required when the Granular Key Label Access control is enabled.

<i>Table 29. Increased access authority required to modify key labels when Granular Key Label Access control is enabled</i>		
<b>To do this:</b>	<b>The level of access authority required is increased from READ to:</b>	<b>This impacts the following callable services:</b>
<b>Create a label</b>	UPDATE	Key Record Create Key Record Create2 (using a null token or zero-length token) PKDS Record Create
<b>Write to a label</b>	CONTROL	Key Part Import / Key Part Import2 Key Record Create2 (using a non-null token) Key Record Write / Key Record Write2 PKDS Record Create PKDS Record Write PKA Key Generate PKA Key Import Trusted Block Create
<b>Delete a label</b>	CONTROL	Key Record Delete PKDS Record Delete Retained Key Delete

You can enable the Granular Key Label Access control in warning or fail mode. In warning mode, the user's access authority will be checked, but only READ authority will be required. However, if a user does not have UPDATE authority when creating a label, or CONTROL authority when writing to or deleting a label, a warning will be issued and the access will be logged. Warning mode allows you to identify any users who will need to be granted increased access authority prior to moving to a stricter implementation of the policy. The stricter implementation of the policy is called fail mode. In fail mode, users who lack the increased access authority required will not be able to modify key labels. The operation will be unsuccessful, and a return code of 8 (reason code 16004) will be returned to the calling application.

It is recommended that you activate Key Store Policy for both the CKDS and the PKDS before enabling the Granular Key Label Access control. If Key Store Policy is not activated and the Granular Key Label Access control is enabled, the increased access authority checks will work only when the application passes a callable service a key label. To enable Granular Key Label authorization checking for key tokens, both Key Store Policy and Granular Key Label Access access control must be enabled.

Enabling any one of the following controls will activate Key Store Policy for a CKDS:

- CSF.CKDS.TOKEN.CHECK.LABEL.WARN
- CSF.CKDS.TOKEN.CHECK.LABEL.FAIL
- CSF.CKDS.TOKEN.NODUPLICATES

Enabling any one of the following controls will activate Key Store Policy for a PKDS:

- CSF.PKDS.TOKEN.CHECK.LABEL.WARN

- CSF.PKDS.TOKEN.CHECK.LABEL.FAIL
- CSF.PKDS.TOKEN.NODUPLICATES

The following table shows the controls for enabling Granular Key Label Access in warning or fail mode. To enable one of the controls, create the appropriate profile in the XFACILIT class.

The existence of this resource profile in the XFACILIT class:	Does this:
<b>CSF.CSFKEYS.AUTHORITY.LEVELS.WARN</b>	Enables Granular Key Label Access in warning mode. In this mode, a warning will be issued if the user does not have UPDATE authority if creating a label, or CONTROL authority if writing to or deleting a label. As long as the user has READ authority, however, ICSF will allow the operation to continue.
<b>CSF.CSFKEYS.AUTHORITY.LEVELS.FAIL</b>	Enables Granular Key Label Access in fail mode. In this mode, ICSF will not allow a key label to be modified if the user does not have UPDATE authority if creating a label, or CONTROL authority if writing to or deleting a label. The service returns with an error.

For example, you want to require UPDATE authority to create a label, and CONTROL authority to write to or delete a label. You're not certain all the users currently modifying key labels will have the necessary access authority, and do not want to disrupt current work patterns at your installation. For this reason, you decide to allow a warning period during which you can identify which users will need to be granted increased authority. To do this, you would:

1. Enable the Granular Key Label Access control in warning mode.

```
RDEFINE XFACILIT CSF.CSFKEYS.AUTHORITY.LEVELS.WARN
SETROPTS RACLIST(XFACILIT) REFRESH
```

2. Because you have enabled the control in warning mode, a failing access check will still allow a user to modify the key record (as long as the user has READ authority), but will issue a warning and log the access. Using this information, you can update the appropriate profiles in the CSFKEYS class to grant increased access authority to the appropriate users. For example, if user RITA needs to be able to generate RSA key tokens (by way of the CSNDKRC and CSNDPKG callable services), she will need CONTROL access to the label:

```
PERMIT RITA.RSA.TEST.* CLASS(CSFKEYS) ID(RITA) ACCESS(CONTROL)
```

3. When you are ready to move to a stricter implementation of the policy, you would enable the control for fail mode and disable the one for warning mode.

```
RDEFINE XFACILIT CSF.CKDS.TOKEN.CHECK.LABEL.FAIL
RDELETE XFACILIT CSF.CKDS.TOKEN.CHECK.LABEL.WARN
SETROPTS RACLIST(XFACILIT) REFRESH
```

If you accidentally enable the Granular Key Label Access controls for both warning and fail mode, the control for fail mode will take precedence.

### ***Increasing the level of authority required to export symmetric keys***

Using the Symmetric Key Export (CSNDSYX, CSNFSYX, or CSNDSXD) callable service, an application can transfer a symmetric (AES or DES) key from encryption under a master key to encryption under an application-supplied RSA public key. This callable service is used because a secure key (which is encrypted under a master key in the ICSF environment) might need to be shared with a partner, and to transfer it to that partner securely, it will need to be encrypted under an RSA key provided by the partner. The partner will then be able to decrypt it using a corresponding private key.

The export operation performed by the Symmetric Key Export callable service does not fit into a traditional access control hierarchy. Due to the nature of the export operation, you might want to restrict users from accessing a symmetric key for the purpose of exporting it, while still allowing users to access the key for other purposes. By enabling the Symmetric Key Label Export control for AES or DES keys, and creating profiles in the XCSFKEY resource class, you can increase the level of access authority needed to

export AES or DES keys without increasing the level of authority needed to access the keys for other operations.

By default, the CSFKEYS class determines access authority to cryptographic keys passed to callable services (including the Symmetric Key Export and Symmetric Key Export with Data services). When the Symmetric Key Label Export control for AES or DES keys is **not** enabled and the Symmetric Key Export or Symmetric Key Export with Data service is called, a user needs only READ authority for the key (as specified in a CSFKEYS class profile). If, however, the Symmetric Key Label Export control for AES or DES keys **is** enabled and the Symmetric Key Export or Symmetric Key Export with Data callable service is called, then a user needs UPDATE authority for the key (as specified in an XCSFKEY class profile). The Symmetric Key Label Export controls affect only the Symmetric Key Export and Symmetric Key Export with Data services; for all other callable services, access to cryptographic keys is checked against profiles in the CSFKEYS class. Furthermore, the Symmetric Key Label Export controls affect access only to the symmetric key the application is attempting to export and do not affect access to the RSA key that is being used to re-encrypt the symmetric key. Access authority to the AES or DES key will be checked against XCSFKEY class profiles, while access to the RSA key will still be checked against CSFKEYS class profiles.

It is recommended that you activate Key Store Policy for the CKDS before enabling the Symmetric Key Label Export control for AES or DES keys. If Key Store Policy is not activated for the CKDS and the Symmetric Key Label Export control for AES or DES keys is enabled, the access authority check for the symmetric key will be performed only when it is identified to the Symmetric Key Export and Symmetric Key Export with Data callable services by its key label. If the application were to pass the callable service a key token instead of a key label, then no authorization checking will be performed. When a token is passed, ICSF will, in order to initiate a SAF authorization check, rely on an active Key Store Policy for CKDS. Enabling any one of the following controls will activate Key Store Policy for a CKDS:

- CSF.CKDS.TOKEN.CHECK.LABEL.WARN
- CSF.CKDS.TOKEN.CHECK.LABEL.FAIL
- CSF.CKDS.TOKEN.NODUPLICATES

The following table shows the controls for enabling Symmetric Key Label Export for AES or DES keys. To enable the controls, create the appropriate profile in the XFACILIT class. There are separate Symmetric Key Label Export controls for AES and DES keys so you can require UPDATE authority (which will be checked against XCSFKEY profiles) for export of one type of key, while still requiring only READ authority (which will still be checked against CSFKEYS profiles) for export of the other type of key. There are no Symmetric Key Label Export controls that enable the policy in a warning mode. However, you can use the WARNING operand on XCSFKEY profiles to achieve the same results.

<i>Table 31. Key Store Policy controls: The Symmetric Key Label Export controls</i>	
<b>The existence of this resource profile in the XFACILIT class:</b>	<b>Does this:</b>
<b>CSF.XCSFKEY.ENABLE.AES</b>	Enables Symmetric Key Label Export for AES keys. Specifies that profiles in the XCSFKEY class should determine access to an AES key when an application is attempting to export it using the Symmetric Key Export (CSNDSYX, CSNFSYX, or CSNDSXD) callable service.
<b>CSF.XCSFKEY.ENABLE.DES</b>	Enables Symmetric Key Label Export for DES keys. Specifies that profiles in the XCSFKEY class should determine access to a DES key when an application is attempting to export it using the Symmetric Key Export (CSNDSYX, CSNFSYX, or CSNDSXD) callable service.

For example, you want to require UPDATE authority to export any symmetric key (AES or DES) using the Symmetric Key Export callable service. You're not certain all the users currently exporting symmetric keys will have the necessary access authority, and do not want to disrupt current work patterns at your installation. For this reason, you decide to allow a warning period during which you can identify which users will need to be granted increased authority. To do this, you would:

1. Create profiles in the XCSFKEY class to cover the symmetric keys. In this example, your installation has a consistent naming policy for AES and DES key labels, so the following two generic profiles will cover all symmetric keys. The WARNING operand is specified to initiate the warning period.

```
RDEFINE XCSFKEY AES* UACC(NONE) WARNING
RDEFINE XCSFKEY DES* UACC(NONE) WARNING
```

The XCSFKEY class will need to be activated and placed in common storage:

```
SETROPTS CLASSACT(XCSFKEY)
SETROPTS RACLIST(XCSFKEY)
```

2. Enable the Symmetric Key Label Export control for AES and DES. In this example, we enable both controls so that UPDATE authority is required when exporting any symmetric key.

```
RDEFINE XFACILIT CSF.XCSFKEY.ENABLE.AES
RDEFINE XFACILIT CSF.XCSFKEY.ENABLE.DES
```

3. Because the WARNING operand was specified on the generic profiles AES\* and DES\*, any failing access check will still allow access to the symmetric key, but will issue a warning message and log the access. Using this information, you can grant UPDATE access to users or groups as needed. Since the generic profiles in our example cover all AES and all DES keys, you may need to create other generic profiles or discrete profiles to limit access for certain users. Here, user BOBADMIN is given UPDATE access to all symmetric keys, while user GWEN is given UPDATE access to the key labeled DES.BURDA.MEDINC.

```
PERMIT AES* CLASS(XCSFKEY) ID(BOBADMIN) ACCESS(UPDATE)
PERMIT DES* CLASS(XCSFKEY) ID(BOBADMIN) ACCESS(UPDATE)
RDEFINE XCSFKEY DES.BURDA.MEDINC UACC(NONE)
PERMIT DES.BURDA.MEDINC CLASS(XCSFKEY) ID(GWEN) ACCESS(UPDATE)
```

The XCSFKEY class will need to be refreshed in common storage:

```
SETROPTS RACLIST(XCSFKEY) REFRESH
```

4. When you are ready to move to a stricter implementation of the policy, you can end the warning period. To do this, update the necessary profiles in the XCSFKEY class using the RALTER command with its NOWARNING operand.

```
RALTER XCSFKEY AES* UACC(NONE) NOWARNING
RALTER XCSFKEY DES* UACC(NONE) NOWARNING
```

The XCSFKEY class will need to be refreshed in common storage:

```
SETROPTS RACLIST(XCSFKEY) REFRESH
```

## ***Controlling how cryptographic keys can be used***

In addition to using profiles in the CSFKEYS class (and, when Symmetric Key Label Export is enabled, the XCSFKEY class) to identify which users have permission to certain cryptographic keys, you can also enable the PKA Key Management Extensions control so that CSFKEYS and XCSFKEY profiles can place restrictions on how keys are used. For example, you can:

- Restrict an asymmetric key from being used in secure export and import operations.
- Restrict an asymmetric key from being used in handshake operations.
- Restrict a symmetric key from being exported (transferred from encryption under a master key to encryption under an application-supplied RSA public key). Alternatively, you can allow the symmetric key to be exported, but only by certain public keys (as indicated by a list of key labels), or only by public keys bound to certain identities (as indicated by a list of certificates in either a PKCS #11 token, or a SAF key ring).

Setting restrictions such as these can help ensure that keys are used only for intended purposes, regardless of who has access to the keys. For example, if you have an RSA key pair intended only for



generating and verifying digital signatures, you can set a restriction to ensure that the public key of this key pair is never used to export a symmetric key.

You place restrictions on cryptographic keys using the ICSF segment of the CSFKEYS or XCSFKEY class profiles that cover the keys. After you have modified the profiles with the restrictions you want to place on the keys, you can enable the PKA Key Management Extensions control by creating a CSF.PKAEXTNS.ENABLE profile in class XFACILIT. You can also enable PKA Key Management Extensions in warning mode by creating a CSF.PKAEXTNS.ENABLE.WARNONLY profile in class XFACILIT. In order to enable PKA Key Management Extensions, Key Store Policy must be active for both the CKDS and the PKDS. For more information, refer to [“Enabling PKA key management extensions” on page 53](#).

#### *Restricting asymmetric keys from being used in secure import and export operations*

Using the ASYMUSAGE field in the ICSF segment of CSFKEYS profiles enables you to restrict asymmetric keys covered by the profile from being used in secure import and export operations. In secure export operations, a symmetric key (AES or DES) is moved from encryption under a master key to encryption under an asymmetric key (RSA public key). In a secure import operation, the private key of an RSA key pair is used to move a symmetric key from encryption under the RSA public key to encryption under a master key. The following callable services all identify an asymmetric key (either the public or private key of an RSA key pair) to encrypt or decrypt a symmetric key. The callable services that perform secure import and export operations are:

- Symmetric Key Generate (CSNDSYG and CSNFSYG)
- Symmetric Key Export (CSNDSYX, CSNFSYX, CSNDSXD)
- Symmetric Key Import (CSNDSYI and CSNFSYI) and Symmetric Key Import2 (CSNDSYI2 and CSNFSYI2)

For each of these services, a profile in the CSFKEYS class will control access to the asymmetric key. In addition to specifying user access to the key, the CSFKEYS profile can also specify information (in the ICSF segment of the profile) on how the key can be used. The ASYMUSAGE field of the ICSF segment enables you to specify whether an asymmetric key covered by the profile can participate in secure import or export operations. By specifying the NOSECUREEXPORT keyword in the ASYMUSAGE field, you restrict any asymmetric key covered by the profile from being used to encrypt or decrypt the symmetric key in these operations.

For example, the profile RSA.SAMMY.DIGSIG in class CSFKEYS covers an RSA key pair that should be used only for generating and verifying digital signatures and performing TLS/SSL handshakes. The following RALTER command modifies the profile to ensure that the public key of the RSA key pair is never used to export keys. The SETROPTS RACLIST command is used to refresh the profile in common storage.

```
RALTER CSFKEYS RSA.SAMMY.DIGSIG ICSF(ASYMUSAGE(NOSECUREEXPORT))
SETROPTS RACLIST(CSFKEYS) REFRESH
```

In order for the secure import/export restriction to take effect, you will need to enable the PKA Key Management Extensions control by creating a CSF.PKAEXTNS.ENABLE profile in class XFACILIT. In order to enable the PKA Key Management Extensions control, the Key Store Policy for both the CKDS and the PKDS must also be active. Refer to [“Enabling PKA key management extensions” on page 53](#) for more information.

When the PKA Key Management Extensions control is enabled, the default is to allow keys to participate in secure import and export operations. You can also explicitly specify this using the SECUREEXPORT keyword in the ASYMUSAGE field of a CSFKEYS profile. For example:

```
RALTER CSFKEYS RSA.SAMMY.EXPORT ICSF(ASYMUSAGE(SECUREEXPORT))
SETROPTS RACLIST(CSFKEYS) REFRESH
```

The ASYMUSAGE field can also contain the NOHANDSHAKE or HANDSHAKE keywords to specify whether keys covered by the profile can participate in handshake operations (as described in [“Restricting asymmetric keys from being used in handshake operations” on page 48](#)). These keywords can be

specified along with the NOSECUREEXPORT or SECUREEXPORT keywords when entering the RDEFINE or RALTER command.

```
RALTER CSFKEYS RSA.SAMMY.EXPORT ICSF(ASYMUSAGE(SECUREEXPORT NOHANDSHAKE))
SETROPTS RACLIST(CSFKEYS) REFRESH
```

### *Restricting asymmetric keys from being used in handshake operations*

Using the ASYMUSAGE field in the ICSF segment of CSFKEYS profiles enables you to restrict asymmetric keys covered by the profile from being used in handshake operations. The following callable services all identify an asymmetric key to be used in a handshake operation. The callable services that perform handshake operations are:

- Digital Signature Generate (CSNDDSG and CSNFDSG)
- Digital Signature Verify (CSNDDSV and CSNFDSV)
- PKA Encrypt (CSNDPKE and CSNFPKE)
- PKA Decrypt (CSNDPKD and CSNFPKD)

For each of these services, a profile in the CSFKEYS class will control access to the asymmetric key used to generate/verify a digital signature, or encrypt/decrypt a clear key value. In addition to specifying user access to the key, the CSFKEYS profile can also specify information (in the ICSF segment of the profile) on how the key can be used. The ASYMUSAGE field of the ICSF segment enables you to specify whether an asymmetric key covered by the profile can participate in handshake operations. By specifying the NOHANDSHAKE keyword in the ASYMUSAGE field, you restrict any key covered by the profile from being used in handshake operations. For example, the profile RSA.SAMMY.EXPORT in class CSFKEYS covers an RSA key pair intended for exporting and importing symmetric keys. The following RALTER command modifies the profile to ensure that the RSA keys are not used in handshake operations. The SETROPTS RACLIST command is used to refresh the profile in common storage.

```
RALTER CSFKEYS RSA.SAMMY.EXPORT ICSF(ASYMUSAGE(NOHANDSHAKE))
SETROPTS RACLIST(CSFKEYS) REFRESH
```

In order for the restriction on handshake operations to take effect, you will need to enable the PKA Key Management Extensions control by creating a CSF.PKAEXTNS.ENABLE profile in class XFACILIT. In order to enable the PKA Key Management Extensions control, the Key Store Policy for both the CKDS and the PKDS must also be active. Refer to [“Enabling PKA key management extensions” on page 53](#) for more information.

When the PKA Key Management Extensions control is enabled, the default is to allow keys to participate in handshake operations. You can also explicitly specify this using the HANDSHAKE keyword in the ASYMUSAGE field of profiles in the CSFKEYS class. For example:

```
RALTER CSFKEYS RSA.SAMMY.EXPORT ICSF(ASYMUSAGE(HANDSHAKE))
SETROPTS RACLIST(CSFKEYS) REFRESH
```

The ASYMUSAGE field can also contain the NOSECUREEXPORT or SECUREEXPORT keywords to specify whether keys covered by the profile can participate in secure import and export operations (as described in [“Restricting asymmetric keys from being used in secure import and export operations” on page 47](#)). These keywords can be specified along with the NOHANDSHAKE or HANDSHAKE keywords when entering the RDEFINE or RALTER command.

```
RALTER CSFKEYS RSA.SAMMY.EXPORT ICSF(ASYMUSAGE(NOSECUREEXPORT HANDSHAKE))
SETROPTS RACLIST(CSFKEYS) REFRESH
```

### *Placing restrictions on exporting symmetric keys*

The Symmetric Key Export and Symmetric Key Export with Data callable services lets a calling application transfer a symmetric (AES or DES) key from encryption under a master key to encryption under an application-supplied RSA public key. This callable service is needed because a secure key (which is encrypted under a master key in the ICSF environment) might need to be shared with a partner, and to transfer it to that partner securely, it will need to be encrypted under an RSA key provided by the partner.

The partner will then be able to decrypt it using a corresponding private key. Due to the nature of the operation performed by the Symmetric Key Export callable service, you may want to place additional restrictions on its use. [“Increasing the level of authority required to export symmetric keys” on page 44](#) describes how you can enable the Symmetric Key Label Export controls to specify that a user needs UPDATE authority in the XCSFKEY class (instead of the default READ authority in the CSFKEYS class) to export a symmetric key. By enabling the PKA Key Management Extensions control, you can also specify that a symmetric key covered by a CSFKEYS or XCSFKEY profile:

- Cannot be exported.
- Can be exported by any asymmetric key in the PKDS.
- Can be exported only by certain asymmetric keys in the PKDS (as specified by a supplied list).
- Can be exported by any asymmetric key, provided it is bound to an identity in a key certificate in a trusted certificate repository (either a PKCS #11 token or a SAF key ring).
- Can be exported only by an asymmetric key that is bound to certain identities (as specified by a supplied list of key certificates in a trusted certificate repository).

When an application calls the Symmetric Key Export or Symmetric Key Export with Data service, access to the symmetric key (the AES or DES key to be re-encrypted) is determined by a profile in the CSFKEYS class or, if the Symmetric Key Label Export control has been enabled, the XCSFKEY class. In addition to specifying user access to the key, the CSFKEYS or XCSFKEY profile can also place restrictions (in the ICSF segment of the profile) on export of the symmetric key. In the ICSF segment of a CSFKEYS or XCSFKEY profile, the SYMEXPORTABLE field contains a keyword that determines if the key can be exported, and if so, how ICSF will determine the asymmetric keys (the RSA public keys) that can export (re-encrypt) the key.

<i>Table 32. Keyword settings for symmetric key export using the ICSF segment's SYMEXPORTABLE field</i>	
<b>This field/keyword</b>	<b>Specifies:</b>
<b>SYMEXPORTABLE(BYNONE)</b>	The symmetric key cannot be exported.
<b>SYMEXPORTABLE(BYLIST)</b>	<p>The symmetric key can be exported, but only by certain RSA public keys in the PKDS (as specified by a supplied list), or only by RSA public keys bound to certain identities (as specified by a supplied list of key certificates).</p> <ul style="list-style-type: none"> <li>• To supply a list of RSA public keys in the PKDS that can export the symmetric key, you use the SYMEXPORTKEYS field on the ICSF segment. You can list the RSA public keys by label, or you can use a special character setting in this field to specify that any RSA public key in the PKDS can export the symmetric key.</li> <li>• To supply a list of key certificates, you use the SYMEXPORTCERTS field of the ICSF segment. You can list the certificates by label, or you can use a special character setting in this field to specify that any RSA public key bound to an identity in any certificate in the repository can export the symmetric key.</li> </ul>
<b>SYMEXPORTABLE(BYANY)</b>	<p>There are no additional restrictions placed on export of the key. Provided no other access requirement or control prevents it, the symmetric key can be exported by any asymmetric key. This is the default.</p> <p><b>Note:</b> When PKA Key Management Extensions is enabled, this is the only setting which allows a certificate to export a symmetric key when passed as input to the CSNDSYX (Symmetric Key Export) callable service.</p>

- For more information on the BYNONE keyword, refer to [“Restricting the symmetric key from being exported” on page 50](#).
- For more information on using the BYLIST keyword and the SYMEXPORTKEYS field, refer to [“Identifying RSA public keys that can export the symmetric key” on page 50](#).
- For more information on using the BYLIST keyword and the SYMEXPORTCERTS field, refer to [“Identifying key certificates for symmetric key export” on page 51](#).
- For more information on the BYANY keyword, refer to [“Placing no additional restrictions on symmetric key export” on page 52](#).

## Restricting the symmetric key from being exported

CSFKEYS and XCSFKEY profiles can contain an ICSF segment. Fields of the ICSF segment specify rules for key use. In the SYMEXPORTABLE field of the ICSF segment, the BYNONE keyword specifies that the symmetric key or keys covered by the profile cannot be exported regardless of a user's access authority to the key. If an application attempts to use the Symmetric Key Export or Symmetric Key Export with Data service to transfer a symmetric (AES or DES) key covered by the profile, the operation will fail and the service will return an error.

For example, the CKDS contains a DES key labeled DES.BRADY.CASTLE that should never be exported. The Symmetric Key Label Export control for DES keys has not been enabled so the key is covered by a profile in the CSFKEYS class. The following RALTER command modifies the discrete profile DES.BRADY.CASTLE to indicate that the key should never be exported. The SETROPTS RACLIST command is used to refresh the profile in common storage.

```
RALTER CSFKEYS DES.BRADY.CASTLE ICSF(SYMEXPORTABLE(BYNONE))
SETROPTS RACLIST(CSFKEYS) REFRESH
```

## Identifying RSA public keys that can export the symmetric key

CSFKEYS and XCSFKEY profiles can contain an ICSF segment. Fields of the ICSF segment specify rules for key use. In the SYMEXPORTABLE field of the ICSF segment, the BYLIST keyword specifies that the symmetric key or keys covered by the profile can be exported by keys identified using the SYMEXPORTKEYS or SYMEXPORTCERTS fields.

Using the SYMEXPORTKEYS field, you can list the RSA public keys in the PKDS that are allowed to export the symmetric key. The SYMEXPORTKEYS list consists of one or more PKDS key labels identifying the RSA public keys under which the symmetric key can be re-encrypted. These labels follow the normal ICSF label conventions; they can be space separated, and quotes are optional.

**Note:** Key Store Policy must be active in order for the PKA Key Management Extensions to be enabled. Because Key Store Policy for the PKDS is active, ICSF knows the key label or labels associated with each key token. Tokens associated with multiple labels are considered equivalent. Be aware that as long as one of the labels associated with the token appears in the SYMEXPORTKEYS list, the RSA public key can export symmetric key.

A special key label is the asterisk character (\*). If the SYMEXPORTKEYS field contains this special key label, any RSA public key in the PKDS can export the symmetric key (provided no other access requirement or control prevents it).

If an application attempts to use the Symmetric Key Export or Symmetric Key Export with Data callable service to transfer a symmetric (AES or DES) key covered by the profile, ICSF will compare the RSA public key identified by the application with those identified in the SYMEXPORTKEYS list. If the key is in the list, the operation is allowed to continue. If it is not in the list, and is also not bound to an identity in a certificate listed in the SYMEXPORTCERTS field (as described in [“Identifying key certificates for symmetric key export”](#) on page 51), the operation will fail and the service will return an error.

For example, the following RALTER command modifies the discrete profile DES.BRADY.CASTLE so that the DES key it covers can be exported only by the RSA public key RSA.BRADY.CASTLE. In this example, the Symmetric Key Label Export control has been enabled for DES keys, so the DES.BRADY.CASTLE profile is defined in the XCSFKEY class. The SETROPTS RACLIST command is used to refresh the profile in common storage.

```
RALTER XCSFKEY DES.BRADY.CASTLE ICSF(SYMEXPORTABLE(BYLIST) SYMEXPORTKEYS(RSA.BRADY.CASTLE))
SETROPTS RACLIST(XCSFKEY) REFRESH
```

To instead allow any RSA public key in the PKDS to export the symmetric key covered by the DES.BRADY.CASTLE profile, you would specify the asterisk character (\*) in the SYMEXPORTKEYS field.

```
RALTER XCSFKEY DES.BRADY.CASTLE ICSF(SYMEXPORTABLE(BYLIST) SYMEXPORTKEYS(*))
SETROPTS RACLIST(XCSFKEY) REFRESH
```

The ADDSYMEXPORTKEYS keyword of the ICSF segment enables you to add labels to a SYMEXPORTKEYS list without having to re-create the entire list. For example, to add the label RSA.BKNIGHT.CASTLE to the list, you would enter:

```
RALTER XCSFKEY DES.BRADY.CASTLE ICSF(ADDSYMEXPORTKEYS(RSA.BKNIGHT.CASTLE))
SETROPTS RACLIST(XCSFKEY) REFRESH
```

Similarly, you can delete labels from a SYMEXPORTKEYS list using the DELSYMEXPORTKEYS keyword:

```
RALTER XCSFKEY DES.BRADY.CASTLE ICSF(DELSYMEXPORTKEYS(RSA.BKNIGHT.CASTLE))
SETROPTS RACLIST(XCSFKEY) REFRESH
```

You can also delete the entire SYMEXPORTKEYS field using the NOSYMEXPORTKEYS keyword.

```
RALTER XCSFKEY DES.BRADY.CASTLE ICSF(NOSYMEXPORTKEYS)
SETROPTS RACLIST(XCSFKEY) REFRESH
```

## Identifying key certificates for symmetric key export

CSFKEYS and XCSFKEY profiles can contain an ICSF segment. Fields of the ICSF segment specify rules for key use. In the SYMEXPORTABLE field of the ICSF segment, the BYLIST keyword specifies that the symmetric key or keys covered by the CSFKEYS or the XCSFKEY profile can be exported by keys identified using the SYMEXPORTKEYS or SYMEXPORTCERTS fields.

Using the SYMEXPORTCERTS field, you can supply a list of certificate labels in a trusted certificate repository (either a PKCS #11 token or a SAF key ring). As described in [“Enabling PKA key management extensions” on page 53](#), you enable the PKA Key Management Extensions control by creating a CSF.PKAEXTNS.ENABLE profile in class XFACILIT. You can use the APPLDATA field in that profile to identify the type and name of the trusted certificate repository. If the APPLDATA field is not used to provide this information, the default certificate repository is a PKCS #11 token named CSF.TRUSTED.KEYRING. The format of the SYMEXPORTCERTS field depends on whether the trusted certificate repository is a PKCS #11 token or a SAF key ring.

- If the trusted certificate repository is a PKCS #11 token, the certificate labels are listed in the format *'cka-id/cert-label'*, where:

### ***cka-id***

is the CKA\_ID attribute of the certificate object. This portion of the specification is optional, and only necessary if multiple certificate objects have the same CKA\_LABEL. If provided, RACF will convert this portion of the specification into uppercase before storing it in the profile.

### ***/cert-label***

is the CKA\_LABEL attribute of the certificate object. Note that the forward slash character (/) is required even if the optional *cka-id* portion of the specification is omitted. If this portion of the specification contains blank characters, the entire specification must be enclosed in single quotes. The length of the *cert-label* attribute cannot be greater than 32 bytes for symmetric key export.

**Note:** For certificates in the trusted repository, the length of the CKA\_LABEL attribute must not be greater than 32 bytes; otherwise, the certificate is ignored and not considered a trusted certificate for export.

- If the trusted certificate repository is a SAF key ring, the certificate labels are listed in the format *'userID/cert-label'*, where:

### ***userID***

is the owner of the certificate. This portion of the specification is optional, and only necessary if multiple certificates have the same label. If provided, RACF will convert this portion of the specification into uppercase before storing it in the profile.

### ***/cert-label***

is the label of the digital certificate that was assigned when the certificate was created. Note that the forward slash character (/) is required even if the optional *userID* portion of the specification is omitted. If this portion of the specification contains blank characters, the entire specification must be enclosed in single quotes.

Regardless of whether you are using a PKCS #11 token or a SAF key ring, you can also use the asterisk character ( \* ) in the SYMEXPORTCERTS field to match any certificate in the trusted certificate repository. Using the asterisk character in the SYMEXPORTCERTS field is the same as listing all the certificates in the trusted certificate repository.

If an application attempts to use the Symmetric Key Export (CSNDSYX or CSNFSYX) callable service to transfer a symmetric (AES or DES) key covered by the profile, ICSF will compare the RSA public key identified by the application with those bound to identities in certificates in the SYMEXPORTCERTS list. If any of the listed certificates contains the RSA public key, the operation is allowed to continue. If none of the listed certificates contain the public key, and the key is also not listed in the SYMEXPORTKEYS field (as described in [“Identifying RSA public keys that can export the symmetric key”](#) on page 50), the operation will fail and the service will return an error.

For example, say you want to allow export of a the symmetric key DES.BRADY.CASTLE only by the user and public key bound by a certificate in a SAF key ring. The SAF key ring was identified to ICSF when the PKA Key Management Extensions control was enabled (using the APPLDATA field of the CSF.PKAEXTNS.ENABLE profile). The label of the digital certificate in the SAF key ring is "Mister Ink", and the discrete profile covering the key has already been defined in the XCSFKEY class. The following RALTER command specifies that the only RSA public key that can export the symmetric key is the one bound to the identity in the "Mister Ink" certificate. The SETROPTS RACLIST command is used to refresh the profile in common storage.

```
RALTER XCSFKEY DES.BRADY.CASTLE ICSF(SYMEXPORTABLE(BYLIST) SYMEXPORTCERTS('/Mister Ink'))
SETROPTS RACLIST(XCSFKEY) REFRESH
```

The preceding example assumes that no other certificates have the same label. If other certificates do have the same label, you would want to include the user ID of the certificate owner in the SYMEXPORTCERTS list specification. For example, if the user BKNIGHT is the certificate owner, you would enter:

```
RALTER XCSFKEY DES.BRADY.CASTLE ICSF(SYMEXPORTABLE(BYLIST) SYMEXPORTCERTS('BKNIGHT/Mister Ink'))
SETROPTS RACLIST(XCSFKEY) REFRESH
```

You can also use the asterisk character ( \* ) in the SYMEXPORTCERTS field to match any certificate in the certificate repository.

```
RALTER XCSFKEY DES.BRADY.CASTLE ICSF(SYMEXPORTABLE(BYLIST) SYMEXPORTCERTS(*))
SETROPTS RACLIST(XCSFKEY) REFRESH
```

The ADDSYMEXPORTCERTS keyword of the ICSF segment enables you to add certificate labels to a SYMEXPORTCERTS list without having to re-create the entire list. For example, to add the certificate 'SERRIN/Mister Ink' to the list of certificate labels, you would enter:

```
RALTER XCSFKEY DES.BRADY.CASTLE ICSF(ADDSYMEXPORTCERTS('SERRIN/Mister Ink'))
SETROPTS RACLIST(XCSFKEY) REFRESH
```

Similarly, you can delete certificate labels from a SYMEXPORTCERTS list using the DELSYMEXPORTCERTS keyword:

```
RALTER XCSFKEY DES.BRADY.CASTLE ICSF(DELSYMEXPORTCERTS('BKNIGHT/Mister Ink'))
SETROPTS RACLIST(XCSFKEY) REFRESH
```

You can also delete the entire SYMEXPORTCERTS field using the NOSYMEXPORTCERTS keyword.

```
RALTER XCSFKEY DES.BRADY.CASTLE ICSF(NOSYMEXPORTCERTS)
SETROPTS RACLIST(XCSFKEY) REFRESH
```

## Placing no additional restrictions on symmetric key export

If no keyword value is specified in the ICSF segment's SYMEXPORTABLE field, then, by default, no additional restrictions are placed on the export of symmetric keys covered by the profile. Provided no other access requirement or control prevents it, the symmetric key can be exported by any RSA public



key. Although this is the default behavior, you can also explicitly specify it using the BYANY keyword. You might want to do this, for example, if you had previously specified the BYNONE or BYLIST keyword in the SYMEXPORTABLE field, and now want to return to the default behavior.

For example, to specify that there are no restrictions on the export of the symmetric key covered by the profile DES.BRADY.CASTLE in the XCSFKEY class, and that any RSA key can be used in the export operation (provided the user has access permission to the key), you could enter the following RALTER command. The SETROPTS RACLIST command is used to refresh the profile in common storage.

```
RALTER XCSFKEY DES.BRADY.CASTLE ICSF(SYMEXPORTABLE(BYANY))
SETROPTS RACLIST(CSFKEYS) REFRESH
```

You can also return to the default behavior by deleting the entire SYMEXPORTABLE field using the NOSYMEXPORTABLE keyword.

```
RALTER XCSFKEY DES.BRADY.CASTLE ICSF(NOSYMEXPORTABLE)
SETROPTS RACLIST(XCSFKEY) REFRESH
```

### Enabling PKA key management extensions

The rules for cryptographic key usage defined in the ICSF segment of CSFKEYS and XCSFKEY profiles (described in [“Restricting asymmetric keys from being used in secure import and export operations”](#) on page 47, [“Restricting asymmetric keys from being used in handshake operations”](#) on page 48, and [“Placing restrictions on exporting symmetric keys”](#) on page 48) will not be in effect unless PKA Key Management Extensions are enabled. PKA Key Management Extensions cannot be enabled unless Key Store Policy is active for both the CKDS and PKDS.

Enabling any one of the following controls will activate Key Store Policy for a CKDS:

- CSF.CKDS.TOKEN.CHECK.LABEL.WARN
- CSF.CKDS.TOKEN.CHECK.LABEL.FAIL
- CSF.CKDS.TOKEN.NODUPLICATES

Enabling any one of the following controls will activate Key Store Policy for a PKDS:

- CSF.PKDS.TOKEN.CHECK.LABEL.WARN
- CSF.PKDS.TOKEN.CHECK.LABEL.FAIL
- CSF.PKDS.TOKEN.NODUPLICATES

The following table shows the controls for enabling PKA Key Management Extensions in either warning or fail mode. To enable one of the controls, create the appropriate profile in the XFACILIT class.

The existence of this resource profile in the XFACILIT class:	Does this:
<b>CSF.PKAEXTNS.ENABLE.WARNONLY</b>	<p>Enables PKA Key Management Extensions in warning mode. The ICSF segment of CSFKEYS or XCSFKEY profiles will be checked to:</p> <ul style="list-style-type: none"> <li>• determine if a symmetric key can be exported, and, if so, which asymmetric keys can be used in the operation to re-encrypt the symmetric key.</li> <li>• determine if an asymmetric key can be used in secure export and import operations, or in handshake operations.</li> </ul> <p>However, because this is warning mode, ICSF will allow the operation to continue even if the ICSF segment indicates that the operation is not allowed.</p>

Table 33. Key Store Policy controls: The PKA Key Management Extensions controls (continued)

The existence of this resource profile in the XFACILIT class:	Does this:
<b>CSF.PKAEXTNS.ENABLE</b>	<p>Enables PKA Key Management Extensions in fail mode. The ICSF segment of CSFKEYS or XCSFKEY profiles will be checked to:</p> <ul style="list-style-type: none"> <li>• determine if a symmetric key can be exported, and, if so, which asymmetric keys can be used in the operation to re-encrypt the symmetric key.</li> <li>• determine if an asymmetric key can be used in secure export and import operations, or in handshake operations.</li> </ul> <p>If the ICSF segment indicates that the operation is not allowed, the service returns with an error.</p>

For example, you've already used the ICSF segment of profiles in the CSFKEYS or XCSFKEY class to define various restrictions on how keys covered by the profiles can be used. You're not certain that all applications at your installation are using the keys according to the new restrictions, and do not want to disrupt current work patterns at your installation. For this reason, you decide to allow a warning period during which you can identify noncompliant applications without causing application failure. To do this, you would:

1. Enable PKA Key Management Extensions in warning mode:

```
RDEFINE XFACILIT CSF.PKAEXTNS.ENABLE.WARNONLY
SETROPTS RACLIST(XFACILIT) REFRESH
```

2. Because you have enabled PKA Key Management Extensions in warning mode, ICSF will allow applications to use keys in ways that violate ICSF segment specifications. However, ICSF will generate SMF type 82 subtype 27 records for any violation. Using the information in these records, you can modify your installation's applications as needed.
3. When you are ready to move to a stricter implementation of the policy, you enable the PKA Key Management Extensions control for fail mode, and disable the one for warning mode.

```
RDEFINE XFACILIT CSF.PKAEXTNS.ENABLE
RDELETE XFACILIT CSF.PKAEXTNS.ENABLE.WARNONLY
SETROPTS RACLIST(XFACILIT) REFRESH
```

If you accidentally enable PKA Key Management Extensions in both warning and fail mode, the control for fail mode will take precedence.

As described in [“Identifying key certificates for symmetric key export” on page 51](#), you can use the ICSF segment's SYMEXPORTCERTS field to provide a list of certificate labels in a trusted certificate repository (either a PKCS #11 token or a SAF key ring). This enables you to specify that symmetric keys covered by a CSFKEYS or XCSFKEY profile can be exported only by RSA public keys that are bound to identities in the listed certificates. If using the SYMEXPORTCERTS field to provide a list of certificate labels in a trusted certificate repository, you will need to identify that trusted certificate repository to ICSF. You do this using the APPLDATA field of the CSF.PKAEXTNS.ENABLE profile. If the trusted key repository is a PKCS #11 token, it should be identified in the APPLDATA field in the format *\*TOKEN\*/PKCS-token-name*. If the trusted key repository is a SAF key ring, it should be identified in the APPLDATA field in the format *userID/key-ring-name*. For example, if the trusted key repository was a SAF key ring named TRUSTED.KEY.EXPORTERS created by BOBADMIN, you would enter:

```
RDEFINE XFACILIT CSF.PKAEXTNS.ENABLE APPLDATA(BOBADMIN/TRUSTD.KEY.EXPORTERS)
SETROPTS RACLIST(XFACILIT) REFRESH
```

If an APPLDATA field is not provided on the CSF.PKAEXTNS.ENABLE, the default certificate repository is a PKCS #11 token named CSF.TRUSTED.KEYRING.

#### *PKA key management extensions example*

The following example provides additional illustration of the ICSF segment fields and keywords that you can use to place restrictions on how cryptographic keys can be used.



A DES key has been created for encrypting transactions between a Company and its Business Partner. The Business Partner's public key has previously been added to the PKDS for the purpose of exporting the DES key. The Company's security administrator wants to be sure that only the Business Partner's public key can be used to export the DES key that the Company and its Business Partner are sharing. There is already a profile covering the label of the RSA public key in the PKDS, but no profile covering the label of the new DES key. The security administrator needs to alter the profile for the RSA public key label, and define a new profile for the DES key label. The security administrator has also enabled the Symmetric Key Label Export Control to increase the level of authority needed to export symmetric keys, and so the profile covering the DES key is defined in the XCSFKEY class.

```
RALTER CSFKEYS RSA.BRADY.CASTLE ICSF(ASYMUSAGE(SECUREEXPORT NOHANDSHAKE))
RDEFINE XCSFKEY DES.BRADY.CASTLE ICSF(SYMEXPORTABLE(BYLIST) SYMEXPORTKEYS(RSA.BRADY.CASTLE)) UACC(NONE)
PERMIT DES.BRADY.CASTLE CL(XCSFKEY) ID(SAMPRTNR) UPDATE
SETROPTS RACLIST(CSFKEYS) REFRESH
SETROPTS RACLIST(XCSFKEY) REFRESH
```

Key Store Policy is active for both the CKDS and PKDS, so the security administrator only needs to enable the PKA Key Management Extensions control, and refresh the XFACILIT class in storage.

```
RDEFINE XFACILIT CSF.PKAEXTNS.ENABLE
SETROPTS RACLIST(XFACILIT) REFRESH
```

Later, the security administrator wants further restrictions on exporting the DES key that the Company and its Business Partner are sharing. The security administrator wants to bind an existing RSA public key to an identity, and allow export of the DES key only by the user and public key bound by a particular certificate. The security administrator creates the certificate for the RSA key, creates a SAF key ring, and adds the certificate to the key ring.

```
RACDCERT ID(BOBADMIN) GENCERT +
SUBJECTSDN(CN('Mister Ink Inc')O('Business Partner')C('uk')) +
WITHLABEL('Mister Ink')SIGNWITH(CERTAUTH LABEL(LocalCertauth')) +
KEYUSAGE(DOCSIGN) +
NOTAFTER(DATE(2020-12-31)) +
FROMICSF(RSA.BRADY.CASTLE) +
RACDCERT ID(BOBADMIN) ADDRING(TRUSTD.KEY.EXPORTERS)
RACDCERT ID(BOBADMIN) CONNECT(LABEL('Mister Ink' RING(TRUSTD.KEY.EXPORTERS) +
USAGE(PERSONAL))
RALTER XCSFKEY DES.BRADY.CASTLE ICSF(NOSYMEXPORTKEYS +
SYMEXPORTCERTS('/Mister Ink'))
SETROPTS RACLIST(XCSFKEY) REFRESH
```

Because the security administrator knows that only one certificate with the label "Mister Ink" will be present in the key ring, he does not specify the user ID portion of the string in the SYMEXPORTCERTS list. Note, however, that the security administrator still needs to include the forward slash (/) delimiter even though a user ID was not provided. Also note that the NOSYMEXPORTKEYS keyword is used to remove the SYMEXPORTKEYS list that had been previously defined.

The security administrator modifies the CSF.PKAEXTNS.ENABLE profile in the XFACILIT class to identify the SAF key ring as the certificate repository.

```
RDEFINE XFACILIT CSF.PKAEXTNS.ENABLE APPLDATA(TRUSTD.KEY.EXPORTERS)
SETROPTS RACLIST(XFACILIT) REFRESH
```

For more information on the ICSF fields and keywords, refer to [“Restricting asymmetric keys from being used in secure import and export operations”](#) on page 47, [“Restricting asymmetric keys from being used in handshake operations”](#) on page 48, and [“Placing restrictions on exporting symmetric keys”](#) on page 48.

### *Enabling use of archived KDS records*

Records in the CKDS, PKDS, and TKDS can be marked as archived. A service request to use the key material of an archived record will fail and an SMF 82 audit record is then logged. The administrator, in an effort to remove unused records from the key data sets, may mark records that appear to have not been used in a long time as archived.

To prevent an application failure due to a rarely used label being marked as archived, the administrator can enable the Key Archive Use control. All service requests using archived records succeed and a SMF 82

record is logged. The administrator can check the SMF records for archived records that have been used. The administrator can also cause a joblog message to be issued by enabling the KEYARCHMSG control in the options data set.

For example, to enable the key archive use control for all key data sets, enter the following commands:

```
RDEFINE XFACILIT CSF.KDS.KEY.ARCHIVE.USE
SETROPTS RACLIST(XFACILIT) REFRESH
```

## Distributing CCA keys

With ICSF, you can develop key distribution systems as defined in any of these:

- The IBM Common Cryptographic Architecture.
- ANSI TR-31 Key block.
- The Public Key Cryptographic Standard (PKCS).

These key distribution systems are explained in these topics:

- [“Common Cryptographic Architecture Key Distribution” on page 56](#)

## Common Cryptographic Architecture Key Distribution

ICSF provides protection for keys when the keys are sent outside your system. You must generate complementary keys for key distribution. A complementary pair of keys has these characteristics:

- The keys have the same clear key value.
- The key types are different but complementary.
- Each key usually exists on a different system.

Some of the complementary keys are these types:

- Importer key-encrypting key and exporter key-encrypting key (transport keys).
- PIN generation key and PIN verification key.
- Input PIN-encrypting key and output PIN-encrypting key.
- MAC generation key and MAC verification key.
- Data-encrypting key and cipher text translation key.
- Input data-encrypting key and output data-encrypting key.
- Input key translate and output key translate keys

When protected data is sent between intermediate systems, these keys exist as complementary keys:

- Data-encrypting key and output cipher text translation key.
- Input cipher text translation key and output cipher text translation key.

For more information, see [“Protection of data” on page 26](#).

The same data-encrypting key can also exist on two different systems so that both systems can encipher and decipher the data.

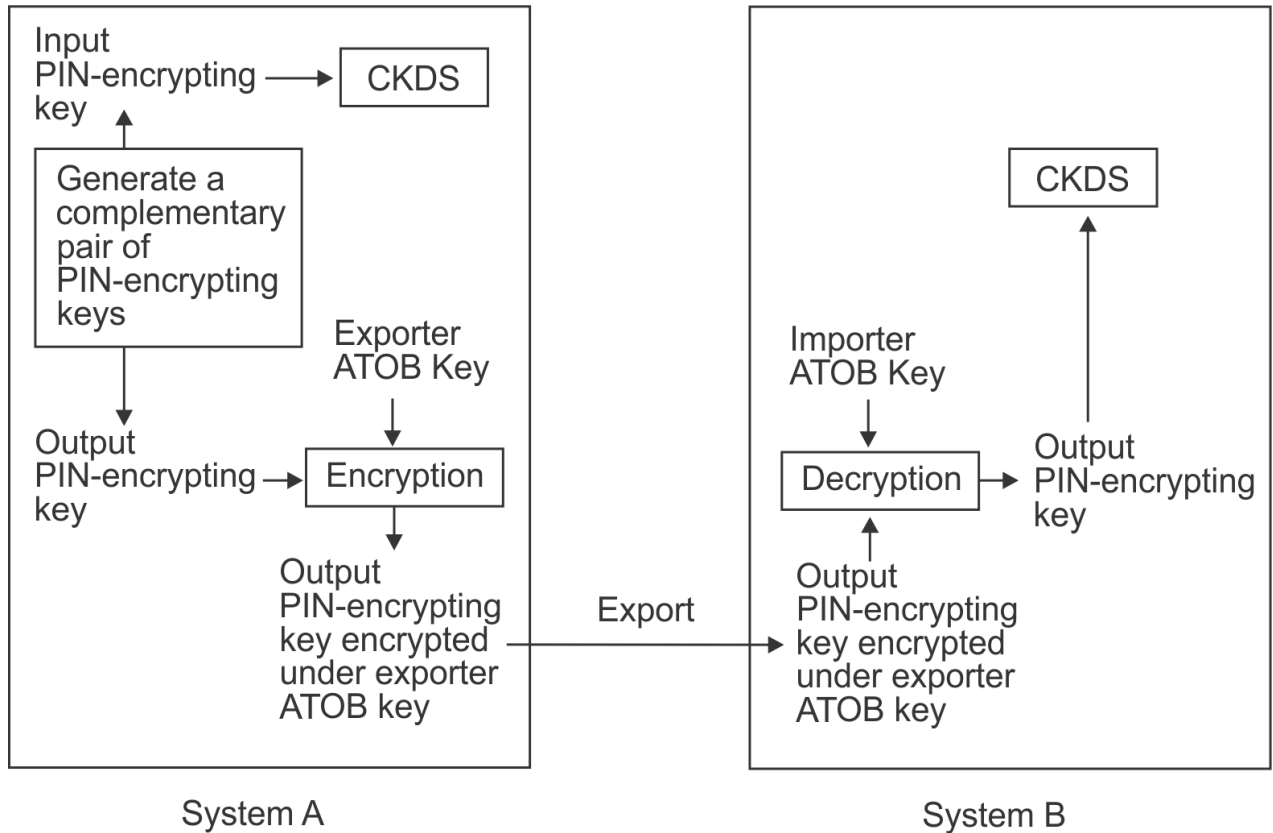
You can use ICSF to protect keys that are distributed across networks. You distribute keys across a network for some of these reasons:

- When you send encrypted data to another system, you send the data-encrypting key with the data or before it.
- When you share complementary keys with another system.

Transport keys protect keys being sent to another system. When a key leaves your system, an exporter key-encrypting key encrypts the key. When another system receives the key, the key is still encrypted under the same key-encrypting key, but the key-encrypting key is now considered an importer key-encrypting key. The exporter key-encrypting key at the sending system and the importer key-encrypting

key at the receiving system must have the same clear value. For two systems to exchange keys, they must establish pairs of transport keys.

In [Figure 6 on page 57](#) System A wants to send an output PIN-encrypting key to System B.



*Figure 6. Key Sent from System A to System B*

To send the key, System A and System B must establish a pair of transport keys between them. System A has an exporter key-encrypting key called Exporter ATOB, which has the same key value as the importer key-encrypting key called Importer ATOB at System B. This pair of transport keys is unidirectional, because they are used only for distributing keys from System A to System B.

When System A generates the input PIN-encrypting key, the system also creates a complementary output PIN-encrypting key. System A enciphers the input PIN-encrypting key under System A's master key and stores the input PIN-encrypting key in the CKDS. It encrypts the complementary output PIN-encrypting key under the Exporter ATOB key so it can send the output PIN-encrypting key to System B. System B decrypts the output PIN-encrypting key using the Importer ATOB key, and encrypts the output PIN-encrypting key under System B's master key.

For the systems to send keys in both directions, they must establish two pairs of transport keys at each site, as in [Figure 7 on page 58](#).

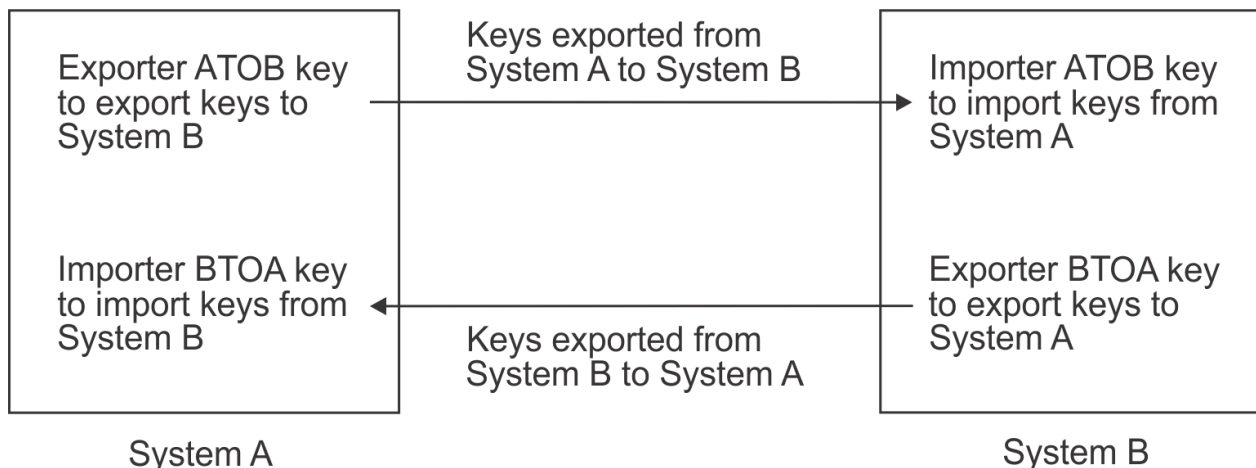


Figure 7. Keys Sent between System A and System B

To send keys from System A to System B, use the key generator utility program (KGUP) to establish an importer and exporter complementary key pair. You establish an exporter key, Exporter ATOB key, on System A and establish the complementary importer key, Importer ATOB key, on System B. Then when System A sends a key to System B, System A sends the key in exportable form encrypted under Exporter ATOB key. When System B receives the key, System B considers the key in importable form encrypted under Importer ATOB key.

To send keys from System B to System A, use KGUP to establish an importer and exporter complementary key pair. You establish an exporter key, Exporter BTOA key, on System B and the complementary importer key, Importer BTOA key, on System A. When System B sends a key to System A, System B sends the key in exportable form encrypted under Exporter BTOA key. When System A receives the key, System A considers the key in importable form encrypted under Importer BTOA key.

KGUP can create a pair of complementary keys, one key in operational form, and its complement in exportable form. You can also use KGUP to receive keys that are in importable form. When you want KGUP to create a key value in exportable form or import a key value in importable form, you specify the transport key that encrypts the key value. For more information about using KGUP for key distribution, see Chapter 13, “Managing Cryptographic Keys Using the Key Generator Utility Program,” on page 167.

You can also use one of two callable services to reencipher a key from operational form into exportable form. Both the key export callable service and the data key export callable service reencipher a key from encryption under the master key to encryption under an exporter key-encrypting key.

You can call the key import callable service to convert a key from importable form to operational form. The key import callable service reenciphers a key from encryption under an importer key-encrypting key to encryption under the system's master key.

With interlinked computer networks, sensitive data passes through multiple nodes before reaching its final destination. The originator and the receiver do not share a common key. Data-translation keys are shared between the originator and an intermediate system, between two intermediate systems, and between an intermediate system and the receiver system. As the data is passed along between these systems, they must reencipher it under the different data-translation keys without it ever appearing in the clear. Each system can call the ciphertext translate callable service to do this function. For a description of sending data between intermediate systems, see “Protection of data” on page 26.

## ANSI TR-31 key block

ICSF provides support for importing and exporting DES keys using the American National Standards Institute (ANSI) TR-31 key block. The TR-31 key block supports the interchange of keys in a secure manner with key attributes included in the exchanged data. The TR-31 key block format has a set of defined key attributes that are securely bound to the key so that they can be transported together between any two systems that both understand the TR-31 format. ICSF enables applications to convert a

CCA token to a TR-31 key block for export to another party and to convert an imported TR-31 key block to a CCA token. This enables you to securely exchange keys and their attributes with non-CCA systems.

Although there is often a one-to-one correspondence between TR-31 key attributes and the attributes defined by CCA, there are also cases where the correspondence is many-to-one or one-to-many. Because there is not always a one-to-one mapping between the key attributes defined by TR-31 and those defined by CCA, the TR-31 Export callable service and the TR-31 Import callable service provide rule array keywords enable an application to specify the attributes to attach to the exported or imported key.

## Public Key Cryptographic Standard Key Distribution

ICSF provides support for the Public Key Cryptographic Standard (PKCS). PKCS is a set of standards for public-key cryptography developed by RSA Data Security, Inc. An example of using RSA public-key cryptography to distribute DES and AES data-encrypting keys is shown in [“Using RSA public keys to protect keys sent between systems”](#) on page 26.

## Managing PKCS #11 cryptographic keys

---

### PKCS #11 Overview

PKCS #11 is a standard set of programming interfaces for cryptographic functions. A subset of these functions is supported by ICSF. ICSF stores the PKCS #11 tokens and token objects in the TKDS. In the context of PKCS #11, a token is a representation of a cryptographic device, such as a smart card reader. You can store, update, and use public key objects, private key objects, secret key objects, certificate objects, data objects, and domain parameter objects in the TKDS through the use of PKCS #11 'C' API or ICSF's native callable services.

For more information on using the TKDS services, see [z/OS Cryptographic Services ICSF Writing PKCS #11 Applications](#) and [z/OS Cryptographic Services ICSF Application Programmer's Guide](#).

### Enterprise PKCS #11 master key

PKCS #11 key objects may be in either clear or secure (encrypted) format depending on your business needs. Secure keys require an active Enterprise PKCS #11 (EP11) Cryptographic Coprocessor. The coprocessor's master key (the P11 master key) is used to protect the sensitive key material. Clear keys are not protected by a master key.

The first time you start ICSF on your system, you may enter master keys and initialize the token data set (TKDS). You can then generate and enter the keys you use to perform cryptographic functions. The master keys you enter protect the secure keys stored in the TKDS.

The TKE workstation must be used to enter P11 master keys on the EP11 cryptographic coprocessors. The TKE workstation is an optional hardware feature. The TKE workstation uses a variety of public key cryptographic techniques to ensure both the integrity and privacy of the logically secure master key transfer channel. You can use a single TKE workstation to set up master keys in all EP11 coprocessors within a server complex.

For more information on using the TKE workstation, see [z/OS Cryptographic Services ICSF TKE Workstation User's Guide](#).

**Note:** Servers or processor models may have multiple EP11 cryptographic coprocessors. Additionally, the TKDS may be shared by multiple systems or LPARs. The master keys must be the same for all such coprocessors accessed by the system or systems sharing the TKDS.

### Managing tokens and objects in the TKDS

Because PKCS #11 is a standard application programming interface, the expected way to manage tokens and objects in the TKDS is through the invocation of the PKCS #11 'C' API or ICSF's native callable services. However, ICSF does provide an ISPF panel utility to allow you to query and make some minor

modifications to tokens and objects stored in the TKDS. This utility is known as the PKCS11 Token Browser.

The PKCS11 Token Browser utility allows you to:

- View the tokens in the TKDS.
- Create tokens.
- Delete tokens.
- View the objects of a token.
- Delete objects.
- Modify object attributes.

SAF authority to the PKCS #11 tokens is required to view and manage tokens and objects. See [Chapter 19, “Using PKCS11 Token Management Utility,”](#) on page 397 for additional information.

## PKCS #11 and FIPS 140-2

The National Institute of Standards and Technology (NIST), the US federal technology agency that works with industry to develop and apply technology, has published the Federal Information Processing Standard #140-2 (FIPS 140-2) *Security Requirements for Cryptographic Modules* that can be required by organizations who specify that cryptographic-based security systems are to be used to provide protection for sensitive or valuable data.

The z/OS PKCS #11 services are designed to meet FIPS 140-2 Level 1 criteria and can be configured to operate in compliance with FIPS 140-2 specifications. Applications that need to comply with the FIPS 140-2 standard can therefore use the z/OS PKCS #11 services in a way that allows only the cryptographic algorithms (including key sizes) approved by the standard and restricts access to the algorithms that are not approved.

For more information on using the PKCS #11 services, refer to the [z/OS Cryptographic Services ICSF Writing PKCS #11 Applications](#) and the [z/OS Cryptographic Services ICSF System Programmer's Guide](#).

## TKDS key protection

The TKDS may contain both clear and secure keys. Clear keys stored in the TKDS are not encrypted. Therefore, it is recommended that you SAF-protect data set access to the TKDS. (This is in addition to the SAF protection of the individual tokens via the CRYPTOZ class.) This will provide additional security for your installation.

## Managing regional cryptographic keys

---

ICSF's regional cryptographic support is an extension to the standard PKCS #11 services. To manage regional cryptographic keys, you must be familiar with how to manage PKCS #11 keys in general. Read [“Managing PKCS #11 cryptographic keys ”](#) on page 59 before continuing with this section.

Persistent regional cryptographic keys are stored as PKCS #11 key objects inside tokens in the TKDS. Therefore, the PKCS11 Token Browser ISPF panel utility may be used to manage regional cryptographic keys.

## Regional cryptographic server master key

As with Enterprise PKCS #11 keys, regional cryptographic keys are secure keys, protected by a master key. This master key is called the regional cryptographic server master key (RCS-MK). This is a different master key from the P11-MK and is managed differently. Unlike the P11-MK, ICSF is minimally involved in the management of the RCS-MK. The RCS-MK is loaded on the server using a utility provided by the vendor of the device. For ICSF, there is no explicit initialization step. Initialization implicitly happens the first time that a regional cryptographic server is used by ICSF. The first RCS-MK that ICSF encounters becomes the expected RCS-MK going forward. Furthermore, each regional cryptographic server that ICSF is to connect to must have the same RCS-MK set. This requirement extends to a SYSPLEX environment as

well. All regional cryptographic servers being used by any instance of ICSF sharing a given TKDS must have the same RCS-MK set.

## Regional cryptographic key (RCE) redirection

RCE redirection is the ability for an existing CCA service to be used in such a way that the request is reformatted and routed to a regional cryptographic server for processing. To make this possible:

- CCA callable services are updated to detect when RCE redirection is required and then they route the request to the regional cryptographic server.
  - New RCS tokens are created to handle the situation where a CCA callable service accepts or returns a token rather than a label to a key in the CKDS.
  - These RCS tokens are enciphered under the RCS master key and have a new key token version number (X'F0' or X'F1'). Other than that, they are indistinguishable from a CCA token and allow seamless use in an application.
  - Rule array keywords that are ineligible for RCE redirection fail when RCE redirection is active.
  - A limited set of DES key types are supported.
- For services that do not accept a key that can be used to detect the need for RCE redirection (for example, Key Token Build (CSNBKTB and CSNEKTB)), ICSF checks the user's permission to CSF.RCE.FUNCTION.REDIRECT to determine which path to take.

Key redirection happens when the CKDS record is updated to include metadata that points to its peer object in the TKDS so that when a CCA request is made using that CKDS record on a user configured for RCE redirection, ICSF is able to read the appropriate RCS key from the TKDS and format a request for the RCS device. Likewise, the TKDS key object points back to the CKDS key label so there can be backwards tracking.

In order to support redirection, both the CKDS and the TKDS are required to be in common record format (KDSR) so that the use of metadata is possible.

### CKDS Record

Key Label	Key	Metadata
"Key.Label"	Null Key or CCA token	Handle of RCE key in TKDS

### TKDS Record

Object Handle	Key	Metadata
"SYSTOK-REDIRECT xy"	RCE Key Object	CCA Key Label

Figure 8. ICSF metadata enabling RCE redirection

For crypto operations that accept a key and return some form of ciphertext (for example, Encipher (CSNBENC or CSNBENC1 and CSNEENC or CSNEENC1)), the operation appears to be identical to a CCA request from an application perspective. The application calls the CCA service passing in a key label whereupon ICSF extracts the RCS key from the TKDS, calls the RCS device to perform the crypto operation, and returns the results to the caller.

For operations that return key material (for example, Key Generate (CSNBKGN and CSNEKGN) or Diversified Key Generate (CSNBKDG and CSNEKDG)), the returned token looks and behaves like a normal



DES key token, but it has a new key token version number and is enciphered under the RCS device master key (RCS MK). These tokens are referred to as RCS tokens.

When an ICSF CCA callable service is passed an RCS token instead of a CKDS key label, the RCS token is reformatted in such a way that it is consumable by the regional cryptographic server. The reformatted key is placed in a cache to improve performance of subsequent uses of the same RCS token. Whenever the RCS master key (RCSMK) is changed, or whenever ICSF is restarted, the cache is emptied.

When an RCS token is written to the CKDS via CKDS Key Record Write (CSNBKRW and CSNEKRW) or CKDS Key Record Create2 (CSNBKRC2 and CSNEKRC2), the RCS token is reformatted into an RCE key object that can be stored in the TKDS. The CKDS and TKDS records are updated with redirect metadata as shown in [Figure 8 on page 61](#). Future references to the CKDS key label are automatically redirected to use the TKDS key object. Likewise, when an RCS token is deleted from the CKDS, the corresponding key object in the TKDS is deleted as well.

The TKDS contains a special token named SYSTOK-REDIRECT to store these 'redirect key' objects. Management of this token and the objects should be restricted by use of the CRYPTOZ resource protections. Only administrators should be allowed to manage objects in SYSTOK-REDIRECT and only then to perform diagnostics or some sort of recovery action. The objects stored in SYSTOK-REDIRECT are intended for ICSF use only. ICSF automatically creates this token upon receipt of an RCS token if it does not already exist.

The following are the only DES key types supported for RCS tokens and RCE redirection:

- CIPHER
- DATA
- DATAM
- DATAMV
- DECIPHER
- DKYGENKY
- ENCIPHER
- EXPORTER
- IMPORTER
- IPINENC
- MAC
- MACVER
- OPINENC
- PINGEN
- PINVER

The following callable services are updated to support RCE redirection:

- CKDS Key Record Create2 (CSNBKRC2 and CSNEKRC2)
- CKDS Key Record Delete (CSNBKRD and CSNEKRD)
- CKDS Key Record Read (CSNBKRR and CSNEKRR)
- CKDS Key Record Read2 (CSNBKRR2 and CSNEKRR2)
- CKDS Key Record Write (CSNBKRW and CSNEKRW)
- Clear PIN Encrypt (CSNBCPE and CSNECPE)
- Decipher (CSNBDEC or CSNBDEC1 and CSNEDEC or CSNEDEC1)
- Diversified Key Generate (CSNBDKG and CSNEDKG)
- Encipher (CSNBENC or CSNBENC1 and CSNEENC or CSNEENC1)
- Encrypted PIN Translate (CSNBPTR and CSNEPTR)
- Key Export (CSNBKEX and CSNEKEX)



- Key Import (CSNBKIM and CSNEKIM)
- Key Generate (CSNBKGN and CSNEKGN)
- Key Part Import (CSNBKPI and CSNEKPI)
- Key Test (CSNBKYT and CSNEKYT)
- Key Test2 (CSNBKYT2 and CSNEKYT2)
- Key Token Build (CSNBKTB and CSNEKTB)
- MAC Generate (CSNBMGN or CSNBMGN1 and CSNEMGN or CSNEMGN1)
- Multiple Secure Key Import (CSNBSKM and CSNESKM)
- VISA CVV Service Generate (CSNBCSG and CSNECSG)
- VISA CVV Service Verify (CSNBCSV and CSNECSV)

## CCA and RCE concurrence

When both a CCA cryptographic coprocessor and a regional crypto server are concurrently active on a system, certain ICSF services require some means of knowing which device or which type of key to produce.

Many services have no input parameter that ICSF can examine to determine which crypto device should be used to satisfy the crypto request. For example, the Key Generate (CSNBKGN and CSNEKGN) service: When both devices are active, should ICSF return a true CCA key token or should it return an RCE token that was generated in the remote device and remap it into a CCA-like token structure? In order to make this decision, ICSF has introduced a new resource in the XFACILIT class: CSF.RCE.FUNCTION.REDIRECT.

When a user has READ access to the CSF.RCE.FUNCTION.REDIRECT profile, ICSF routes the crypto request to the remote crypto device. The default action is to use a CCA device. Thus, if the resource does not exist or if the user submitting the crypto request does not have READ access to the CSF.RCE.FUNCTION.REDIRECT resource, ICSF attempts to use CCA hardware to satisfy the crypto function.

To create this new resource, issue the following commands:

```
RDEF XFACILIT CSF.RCE.FUNCTION.REDIRECT UACC(NONE)
```

```
SETOPTS RACLIST(XFACILIT) REFRESH
```

To give a specific user READ permission to the CSF.RCE.FUNCTION.REDIRECT resource, use the following command:

```
PERMIT CSF.RCE.FUNCTION.REDIRECT CLASS(XFACILIT) ID(userid) ACCESS(READ)
```

When only a CCA device is active, all requests go to a CCA device and use CCA keys. Similarly, when only an RCE device is active, ICSF uses the RCE device for keys and processing. The CSF.RCE.FUNCTION.REDIRECT resource in the XFACILIT class is only used for routing when both CCA and RCE are active.

Because a single CKDS label can be used for both a CCA token and an RCS token, the CKDS can be populated with a proper CCA token and metadata to an RCS key in the TKDS. An application or user that has READ access to CSF.RCE.FUNCTION.REDIRECT uses RCS and the RCS key is stored in the TKDS. Similarly, an application or user that does not have access to CSF.RCE.FUNCTION.REDIRECT uses the CCA token.

RCE redirection is considered active when the system has only a regional cryptographic server active or the userid/application has READ access to the CSF.RCE.FUNCTION.REDIRECT resource in the XFACILIT class.



---

## Chapter 4. Setting up and maintaining cryptographic key data sets

The cryptographic key data sets store keys for use by ICSF callable services. The services use a label to identify the record to be used. This topic discusses the setting up and maintenance of the key data sets.

In addition, each key data set record has metadata when using the KDSR format of the key data set. The metadata can be used to determine if a record has been used to set up key material validity dates, archive and recall records, and store installation data for a record.

---

### Setting up and maintaining the cryptographic key data set (CKDS)

---

The cryptographic key data set (CKDS) stores operational DES, AES, and HMAC keys of all types. It contains an entry for each key. An installation is not required to define a CKDS. However, when a CKDS is not defined, secure CCA symmetric key functions are unavailable and ICSF cannot be used to manage CCA symmetric key tokens.

There are three formats of the CKDS:

#### **Common record format**

This format supports all symmetric key tokens and metadata and allows ICSF to track key usage if so configured. This format is referred to as KDSR format.

#### **Variable-length record format**

This format supports all symmetric key tokens.

#### **Fixed-length record format**

This format only supports fixed-length symmetric key tokens.

**Note:** It is recommended that you use the common record format of the CKDS which supports metadata and key usage tracking. For information on converting your existing CKDS to KDSR format, see [“Converting a key data set to common record format” on page 69.](#)

If you have no coprocessor, you can initialize the CKDS for use with clear AES and DES data keys. This CKDS cannot be used on a system with cryptographic coprocessors.

Before you generate keys that you store in the CKDS, you must define a DES or AES master key to your system. You define a master key by entering its value and setting it so it is active on the system. When you enter the master key, you must make it active on the system by setting it when you initialize the CKDS. For information about entering and setting the master key and initializing CKDS, see [Chapter 8, “Managing CCA Master Keys,” on page 93.](#)

DES keys that are stored in the CKDS are encrypted under the appropriate variants of the DES master key, except for clear key value data-encrypting keys. AES keys that are stored in the CKDS are encrypted under the AES master key. HMAC keys are encrypted under the AES master key. Encrypted keys in the CKDS cannot be overwritten with a key encrypted under a different master key. (DES replaces DES, AES replaces AES, HMAC replaces HMAC). For clear keys, the same is true: DES can overwrite DES, AES can overwrite AES, and HMAC can overwrite HMAC.

After you define a master key, you generate keys and store them in the CKDS. You use KGUP to generate keys and change key values and other information for a key entry in the CKDS. For more information about running KGUP, see [Chapter 13, “Managing Cryptographic Keys Using the Key Generator Utility Program,” on page 167.](#) You can also program applications to use callable services to generate keys and change key information in the CKDS. For more information about how to use callable services to update key entries in the CKDS, see [z/OS Cryptographic Services ICSF Application Programmer's Guide.](#)

You can load key parts for all operational keys on the coprocessors by using the TKE workstation. To load the accumulated key into the CKDS, you must use the ICSF Operational Key Load panel or KGUP. For more information, see [z/OS Cryptographic Services ICSF TKE Workstation User's Guide.](#)

When you initialize ICSF, the system obtains space in storage for the CKDS. For more information about initializing space for the CKDS, see *z/OS Cryptographic Services ICSF System Programmer's Guide*.

Besides the in-storage CKDS, there is a copy of the CKDS on disk. Your installation can have many CKDS disk copies, backup copies, and different disk copies. For example, an installation can have a separate CKDS with different keys for each shift. When a certain shift is working, you can load the CKDS for that shift into storage. Then, only the keys in the CKDS loaded for that shift can be accessed for ICSF functions. However, only one disk copy is read into storage at a time.

You use KGUP to make changes to any disk copy of the CKDS. When you use KGUP to generate and maintain keys, or enter keys directly, you change only the disk copy of a CKDS. Therefore, you can change keys in the disk copy of the data set without disturbing ICSF functions that are using the keys in the in-storage copy of the data set. To make the changes to the disk copy of the CKDS active, you need to replace the in-storage CKDS by using the refresh utility. When you use the dynamic CKDS update callable services to change entries in the CKDS, you change both the in-storage copy of the CKDS and the disk copy. This allows for the immediate use of the new keys without an intervening refresh of the entire CKDS. Figure 9 on page 66 shows the ICSF callable services use keys in the in-storage copy of the CKDS.

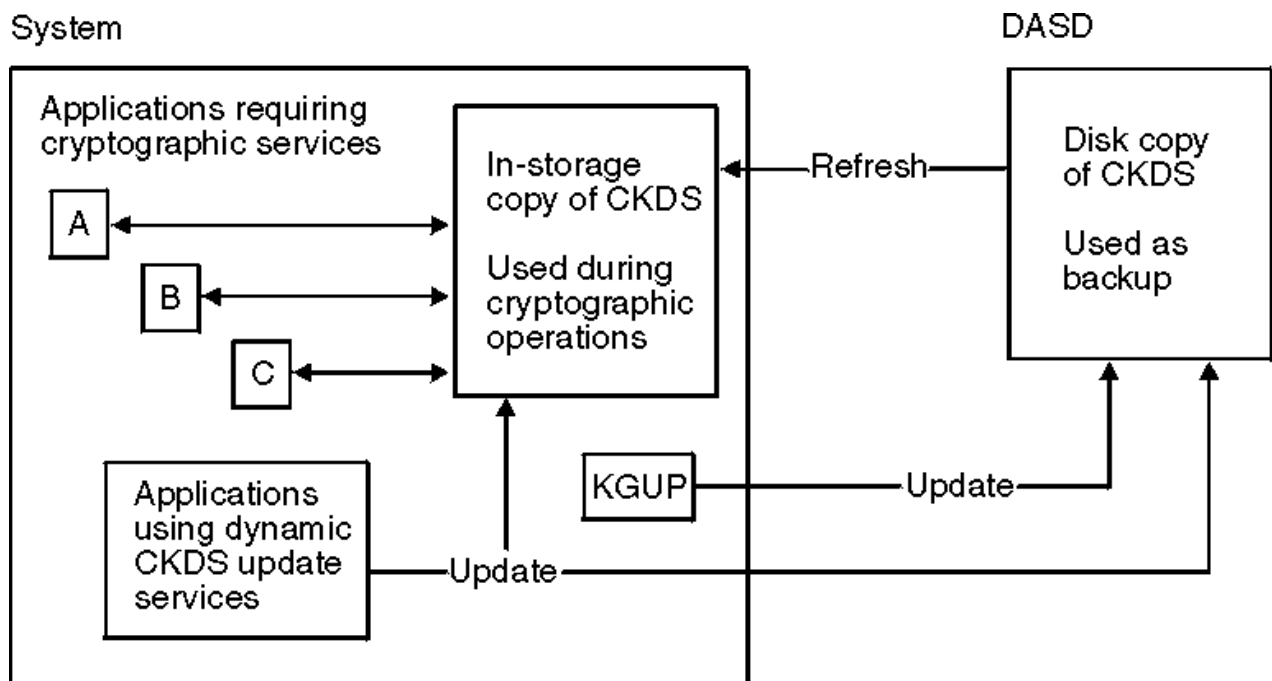


Figure 9. Updating the in-storage copy and the disk copy of the CKDS

You specify the name of the disk copy of the CKDS when you run KGUP. You can also read any disk copy of the CKDS into storage by specifying the name of the disk copy of the CKDS on a Refresh In-Storage CKDS panel. You can also run a utility program to read a disk copy of the CKDS into storage. However, the disk copy must be enciphered under the correct master key. All the copies of your disk copies of the CKDS should be enciphered under the same master key.

Your installation should periodically change the symmetric master keys: DES and AES. To change a master key, you enter a new master key value and make that value active. The keys in a CKDS must then be enciphered under the new master keys. Therefore, to make the new master keys active, the CKDS must be reenciphered from under the current master keys to under the new master keys.

There are two ways to change the symmetric master keys. The preferred way to perform a master key change is by using the Coordinated CKDS Change MK function. This function is described in [“Performing a coordinated change master key”](#) on page 132.

Optionally, the symmetric master keys can be changed on a single system. To perform a local symmetric change master key, first you reencipher the disk copy of the CKDS under the new master keys. Then, you activate the new master keys by using the change master key option. This option automatically replaces the old in-storage CKDS with the disk copy that is reenciphered under the new master keys. If you have

multiple CKDS disk copies, reencipher all of them under the new master keys before changing the master key.

The local symmetric change master key change process can be accomplished by using either the options on the ICSF CKDS Master Key Management panels or by using the utility program, CSFEUTIL.

**Note:** When you perform any functions that affect the in-storage copy of the CKDS, you should consider temporarily disallowing the dynamic CKDS update services. Functions that affect the in-storage copy of the CKDS include changing the master key, reenciphering, or refreshing. For more information, see [“Steps for disallowing dynamic CKDS updates during CKDS administration updates”](#) on page 169.

If running in a sysplex, see [Chapter 12, “Running in a Sysplex Environment,”](#) on page 155.

## Unsupported keys in the CKDS

The symmetric algorithms and callable services that ICSF supports have changed with the cryptographic coprocessors available on IBM Z®. There are keys associated with these algorithms and services that may be stored in the CKDS. These keys cannot be used for any other purpose. These keys may be removed if desired.

These symmetric keys are unsupported:

- DATAXLAT key used with the previously supported CSNBCTT service.
- ANSI X9.17 keys used with the with previously supported CSNAKEX, CSNAKIM, CSNAKTR, and CSNATKN services.

To determine if your CKDS has any unsupported keys:

- The ICSF\_UNSUPPORTED\_CCA\_KEYS health check will list the records of all unsupported key in the active CKDS. This health check runs every time ICSF is started. The check will list records regardless of the state of the record. Archived and inactive records will appear in the Health Check output.
- The CSFKDSL callable service can be used to get a count or a list of records with unsupported keys in the active CKDS.

For installations using the common record format (KDSR) of the CKDS:

- If you have key reference tracking enabled, you can tell if the label has been referenced by an application using the CSFKMDR callable service to read the last reference date metadata of the record.
- You can archive these records to see if they are being referenced by your applications before deleting the records. The CSFKMDW callable service is used to archive records.

The records can be deleted using the CSNBKRD service.

For the description of the services, see [z/OS Cryptographic Services ICSF Application Programmer's Guide](#).

## Setting up and maintaining the public key data set (PKDS)

Public Key Algorithm (ECC and RSA) public and private keys and trusted blocks can be stored in the public key data set (PKDS), a VSAM data set. Applications can use the dynamic PKDS callable services to create, write, read, and delete PKDS records. An installation is not required to define a PKDS. However, when a PKDS is not defined, secure CCA asymmetric key functions are unavailable and ICSF cannot be used to manage CCA asymmetric key tokens.

There are two formats of the PKDS:

### Common record format

This format supports all asymmetric key tokens and metadata and allows ICSF to track key usage if so configured. This format is referred to as KDSR format.

### Base record format

This format supports all asymmetric key tokens.

**Note:** It is recommended that you use the common record format of the PKDS which supports metadata and key usage tracking. For information on converting your existing PKDS to KDSR format, see [“Converting a key data set to common record format” on page 69.](#)

The PKDS may be initialized at ICSF setup. There are internal and external tokens in the PKDS. External tokens may be used irrespective of the asymmetric master keys. Internal tokens, however, can only be used if they are encrypted under the appropriate asymmetric master key.

Besides the in-storage PKDS, there is a copy of the PKDS on disk. Your installation may have many PKDS disk copies, backup copies, and different disk copies. For example, an installation may have a separate PKDS with different keys for each shift. When a certain shift is working, you can load the PKDS for that shift into storage. Then only the keys in the PKDS loaded for that shift can be accessed for ICSF functions. Only one disk copy is read into storage at a time.

Your installation should periodically change the asymmetric master keys. To change the master keys, you enter a new master key value and make that value active.

There are two ways to change the asymmetric master keys. The preferred way to change the master keys is by using the Coordinated PKDS Change MK function. For more information on this function, see [“Performing a coordinated change master key” on page 132.](#)

Optionally, the asymmetric master keys can be changed on a single system. To perform a local asymmetric master key change, the PKDS must be reenciphered under the new master keys. You can reencipher a PKDS under a new master key using the options on the ICSF PKDS Master Key Management panel or by using a utility program, CSFPUTIL. If you have multiple PKDS disk copies, reencipher all of them under the new master key after loading the new master key value.

You can program applications to use the PKDS callable services to create entries, change entries, and delete entries in the PKDS. For more information about how to use callable services to update key entries in the PKDS, see [z/OS Cryptographic Services ICSF Application Programmer's Guide.](#)

PKDS key management panels support:

- Generating an RSA key pair PKDS record.
- Deleting an existing PKDS record.
- Exporting an existing public key to an X.509 certificate stored in an MVS physically sequential data set.
- Importing a public key from an X.509 certificate stored in an MVS physically sequential data set.

If running in a sysplex, see [Chapter 12, “Running in a Sysplex Environment,” on page 155.](#)

## Unsupported keys in the PKDS

The asymmetric algorithms and callable services that ICSF supports have changed with the cryptographic coprocessors available on IBM Z®. There are keys that are associated with these algorithms and services that might be stored in the PKDS. These keys cannot be used for any other purpose. These keys can be removed if desired.

These asymmetric keys are unsupported:

- DSS (DSA) public and private keys that are used with the CSNDDSG and CSNDDSV services.

To determine whether your PKDS has any unsupported keys:

- The ICSF\_UNSUPPORTED\_CCA\_KEYS health check lists the records of all unsupported key in the active PKDS. This health check runs every time ICSF is started. The check lists records regardless of the state of the record. Archived and inactive records appear in the Health Check output.
- The CSFKDSL callable service can be used to get a count or a list of records with unsupported keys in the active PKDS.

For installations that use the common record format (KDSR) of the PKDS:

- If you have key reference tracking enabled, you can tell if the label has been referenced by an application by using the CSFKMDR callable service to read the last reference date metadata of the record.

- You can archive these records to see whether they are being referenced by your applications before deleting the records. The CSFKMDW callable service is used to archive records.

The records can be deleted by using the CSNDKRD service.

For the description of the services, see [z/OS Cryptographic Services ICSF Application Programmer's Guide](#).

## Setting up and maintaining the token data set (TKDS)

---

Clear and secure PKCS #11 objects can be stored in the token data set (TKDS), a VSAM data set. Applications can use the PKCS #11 callable services to create, write, read, and delete PKCS #11 tokens and objects.

There are two formats of the TKDS:

### Common record format

This format supports all PKCS #11 tokens and objects and metadata and allows ICSF to track key usage if so configured. This format is referred to as KDSR format.

### Base record format

This format supports all PKCS #11 tokens and objects.

**Note:** It is recommended that you use the common record format of the TKDS which supports metadata and key usage tracking. For information on converting your existing PKDS to KDSR format, see [“Converting a key data set to common record format”](#) on page 69.

By default, an empty TKDS is initialized for clear PKCS #11 usage the first time it is used. No manual initialization step is required. To use secure PKCS #11 services (either Enterprise PKCS #11 or regional cryptographic services), the TKDS must be initialized with the appropriate master key. The appropriate master key is the PKCS #11 master key (P11-MK) for Enterprise PKCS #11 services or the regional cryptographic server master key (RCS-MK) for regional cryptographic services. For the RCS-MK, initialization implicitly happens the first time a regional cryptographic server is used. As with clear keys, no manual initialization step is required.

To use Enterprise PKCS #11 services, the TKDS must be explicitly initialized by the ICSF TKDS Master Key Management panel. This initialization step may be performed against an empty TKDS or one that contains existing clear objects, regional cryptographic objects, or both. Initialization does not alter the existing key objects in any way. They are still usable for their supported key operations as before.

Your installation should periodically change the PKCS #11 master keys.

- To change the master key, first load a new P11-MK value using a TKE workstation.
- To change the RCS master key, first load a new RCS-MK value using your RCS vendor utility.

See Chapter 9, [“Managing PKCS #11 master keys,”](#) on page 141 for more details. Then, make the new master key active by performing a Coordinated TKDS Change MK from the ICSF TKDS Master Key Management panel.

**Note:** All regional cryptographic servers used by instances of ICSF that share the TKDS must have the same RCS master key.

You can program applications to use the PKCS #11 callable services to create PKCS #11 tokens and objects and to perform PKCS #11 cryptographic operations. See [z/OS Cryptographic Services ICSF Writing PKCS #11 Applications](#) for details.

If running in a sysplex, see [Chapter 12, “Running in a Sysplex Environment,”](#) on page 155.

## Converting a key data set to common record format

---

All key data sets can be converted to common record format.

The conversion is done with the active key data set. A new data set with the proper attributes for the common record format must be allocated. The instructions for allocating key data sets are found in [z/OS Cryptographic Services ICSF System Programmer's Guide](#).



The conversion can be done by either calling the Coordinated KDS Administration (CSFCRC) callable service or by using the ICSF panel utilities. While the conversion is occurring, all updates to the key data set that is being converted are suspended. When running in a SYSPLEX environment, at the completion of the conversion, all systems in the sysplex sharing the key data set will be using the common record format key data set as the active key data set. All new updates are made to the common record format key data set.

### **Converting to common record format using the Coordinated KDS Administration (CSFCRC) callable service**

An application must be written to invoke the Coordinated KDS Administration (CSFCRC) callable service to convert a key data set to common record format. For a description of the Coordinated KDS Administration (CSFCRC) callable service, see [z/OS Cryptographic Services ICSF Application Programmer's Guide](#).

### **Converting to common record format using the ICSF COORDINATED xKDS CONVERSION utilities**

To convert a key data set to common record format using the ICSF panels, do the following:

1. On the ICSF Primary Menu panel, select option 2, KDS MANAGEMENT and press ENTER.
2. When the ICSF Key Data Set Management panel appears, select the type of key data set you want to convert and press ENTER.
3. On the next panel, select the COORDINATED xKDS CONVERSION option and press ENTER.
4. When the ICSF Coordinated KDS conversion panel appears, fill in the required fields and press ENTER.

### **Considerations when sharing a key data set**

If running in a sysplex, see [Chapter 12, "Running in a Sysplex Environment,"](#) on page 155.

When you are sharing a key data set in a sysplex environment, the conversion to the common record format occurs for all systems sharing the data set. All systems sharing the KDS will know the format of the KDS is changed and process updates correctly.

The data set name in the installation options data set needs to be updated if a new name is used.

When a KDS is used by more than one system in a sysplex environment and sysplex sharing is not enabled, only the system where the conversion is done will know about the changes to the data set. If the name is changed, the other systems sharing the KDS will not be updated with this information.

## **Key data set metadata**

---

Records in the key data sets have metadata which can be used to manage the life cycle of key material. The metadata can be used as search criteria to generate list of labels or objects. The metadata can be read and changed.

**Note:** Only the KDSR format of the key data sets support all the metadata described in the section. Your existing data sets can be converted to the KDSR format using ICSF panels or the Coordinated KDS Administration callable service in [z/OS Cryptographic Services ICSF Application Programmer's Guide](#). If you do not need metadata support for all of your key data sets, you need only to convert those data sets which do need metadata support. All of this metadata applies to the records in the CKDS and PKDS and to the object records in the TKDS. While PKCS #11 token are stored in the TKDS, they do not have metadata.

## **Metadata**

The following fields and blocks are metadata in the KDS record:

### **Record creation date**

The date and time that the record was created in the KDS.



**Record update date**

The date and time of the last time that the key material or metadata of the record was changed.

**Key material validity start date**

The date that the key material becomes active.

**Note:** The earliest valid date is January 1, 1900, and the latest valid date is June 4, 2185.

**Key material validity end date**

The last date that the key material is active.

**Note:** The earliest valid date is January 1, 1900, and the latest valid date is June 4, 2185.

**Last used reference date**

The date that the key material was last referenced.

**Record archive flag**

When enabled, the key material cannot be used when the record is referenced by an application.

**Record archive date**

The date that the record archive flag was enabled by the KDS Metadata Write service.

**Record recall date**

The date that the record archive flag was disabled by the KDS Metadata Write service.

**Record prohibit archive flag**

When enabled, the record cannot be archived.

**User data**

The data stored in the user data field in the old formats of the CKDS (CKDUDATA), PKDS (PKDUDATA), or TKDS (TKDUDATA).

**Key fingerprint**

A set of identifiers for the key. Different key values are likely to have different identifiers, but that is not guaranteed. See *z/OS Cryptographic Services ICSF Application Programmer's Guide* for more information about the format of this metadata.

**IBM and installation variable-length metadata blocks**

Blocks of metadata.

**Record creation and update dates**

Record creation and update dates can be used as search criteria when generating a list of records using the Key Data Set List service. These dates can be read by the Key Data Set Metadata Read service. These dates cannot be modified by the Key Data Set Metadata Write service.

**Key material validity start and end dates**

These dates can be used as search criteria when generating a list of records using the Key Data Set List service. These dates can be read by the Key Data Set Metadata Read service. These dates can be added, changed, and deleted using the Key Data Set Metadata Write service.

**Note:** The earliest valid date is January 1, 1900, and the latest valid date is June 4, 2185.

**Last used referenced date**

This date can be used as search criteria when generating a list of records using the Key Data Set List service. This date can be read by the Key Data Set Metadata Read service. This date can be added, changed, and deleted using the Key Data Set Metadata Write service.

**Record archive and recall dates**

These dates can be used as search criteria when generating a list of records using the Key Data Set List service. These dates can be read by the Key Data Set Metadata Read service. These dates are changed when the record archive flag is enabled or disabled using the Key Data Set Metadata Write service.

## Record archive and record prohibit archive flags

The record prohibit archive flag can be used as search criteria when generating a list of records using the Key Data Set List service. These flags can be read by the Key Data Set Metadata Read service. These flags can be enabled and disabled using the Key Data Set Metadata Write service.

## Key fingerprint

The key fingerprint cannot be used as search criteria with the Key Data Set List service. The value can be read by the Key Data Set Metadata Read service. The value cannot be updated using the Key Data Set Metadata Write service.

## Variable-length metadata blocks

The metadata tags can be used as search criteria when generating a list of records using the Key Data Set List service. The metadata blocks can be read by the Key Data Set Metadata Read service. The metadata blocks can be added, changed, and deleted using the Key Data Set Metadata Write service.

## Archiving and recalling a record in a key data set

---

Key administrators can mark a record as archived. ICSF generates an audit record when the record is archived and whenever an archived record is referenced by an application. The administrator can specify whether the request to reference an archived record will succeed or fail. A key is referenced when it is used to perform a cryptographic operation or read, such that the retrieved token may have been used in a cryptographic operation.

**Note:** Only the KDSR format of the key data sets support archiving records. Your existing data sets can be converted to the KDSR format using the Coordinated KDS Administration callable service in [z/OS Cryptographic Services ICSF Application Programmer's Guide](#). If you do not need metadata support for all of your key data sets, you can convert only those data sets which need metadata support.

To archive a record, the record archive flag must be enabled using the Key Data Set Metadata Write service. A SMF type 82 record is generated. The record remains in the key data set. The record can be deleted by the Key Record Delete services. The key material and metadata are deleted when the record is deleted.

To recall an archived record, the record archive flag must be disabled using the Key Data Set Metadata Write service. A SMF type 82 record is generated.

If an application attempts to use an archived record, a SMF type 82 record is generated. The XFACILIT resource CSF.KDS.KEY.ARCHIVE.USE control (see [“Key Store Policy” on page 36](#)) determines whether the service request succeeds or fails. If the key archive use control is enabled, the request is allowed to succeed and the return code reflects the processing of the service. If the key archive use control is disabled, the request fails with a return code of 8 and a reason code indicating a record was archived.

In addition to the key archive use control, the key archive message control (KEYARCHMSG keyword in the options data set) causes a joblog message to be issued the first time an archived record is successfully used by an application.

## Variable-length metadata blocks

---

Metadata can be stored in the key data set in the KDSR format. A 2-byte tag is used to identify a block of metadata. IBM reserves the tags where the high order bit is off. Tags reserved for installation metadata block will have the high order bit on.

All metadata block tags can be used as search criteria for the Key Data Set List service. All metadata block tags can be read using the Key Data Set Metadata Read service.

Table 34. Metadata tag usage

Tag usage	Value or range	Notes
<b>The data stored in the user data field in the old formats of the CKDS (CKDUDATA), PKDS (PKDUDATA), or TKDS (TKDUDATA).</b>	X'0001'	This metadata block can be added, deleted, and changed using the Key Data Set Metadata Write service.
<b>The service or utility that referenced the record the last time the last used reference date was updated.</b>	X'0002'	This metadata block is read only.
<b>The date the record was archived.</b>	X'0003'	This metadata block is read only.
<b>The date the record was recalled.</b>	X'0004'	This metadata block is read only.
<b>The key fingerprint</b>	X'0005'	This metadata block is read only.
<b>Retained RSA key information</b>	X'0006'	This metadata block is read only.
<b>Reserved for IBM use.</b>	X'0007' - X'7FFF'	These metadata blocks are read only.
<b>Available for installation use.</b>	X'8000' - X'FFFF'	Metadata blocks can be added, deleted, and changed using the Key Data Set Metadata Write service.

## IBM metadata blocks

IBM has metadata blocks for:

- The date that the record was archived by the KDS Metadata Write service.
- The date that the record was recalled by the KDS Metadata Write service.
- The callable service or utility that was invoked the last time that the key material was used in a cryptographic operation. This field is updated when the last referenced date is updated.
- Data from the installation user data field in the old formats of the CKDS (CKDUDATA), PKDS (PKDUDATA), or TKDS (TKDUDATA).
- The key fingerprint associated with the key.

### Installation metadata blocks

The maximum amount of storage available to installation metadata is 500 bytes. This includes the tag and length fields of the metadata blocks. The data stored in the block can be in any format. The data will not be checked by ICSF when added to a record.

## Key material validity dates

Administrators can set start and end validity dates for a key data set record using the KDS Metadata Write service. The end date cannot be set to a date in the past.

If the key validity dates are set for a record, any service attempting to reference the key material checks that the current date and time (coordinated universal time (UTC)) falls within the validity dates. The record becomes active at 00:00 UTC on the start date and becomes inactive at 00:00 UTC on the day after the end date. The system clock is used for this test. If the system clock is set to local time, the time will be 00:00 local time. A key is referenced when it is used to perform a cryptographic operation or read, such that the retrieved token may have been used in a cryptographic operation.

If an application attempts to use an inactive record, a SMF type 82 record is generated and the service request fails.

The key material validity dates are checked before the record archived flag.

---

# Chapter 5. Controlling who can use cryptographic keys and services

---

## System authorization facility (SAF) controls

---

You can use a System Authorization Facility such as z/OS Security Server RACF to control which applications can use specific keys and services. This can help you ensure that keys and services are used only by authorized users and jobs. You can also use SAF to audit the use of keys, services, and utilities. To use SAF to control access to keys, services, and utilities, you create and maintain general resource profiles in the CSFKEYS, XCSFKEY, CSFSERV, and CRYPTOZ classes.

### Notes:

- The CSFKEYS class grants access to the key if there is no profile covering the key label.
- The CSFSERV class grants access to the service if there is no covering profile, but with the following exceptions:
  - Key Data Set Update (CSFKDU and CSFKDU6)
  - Key Data Set Record Retrieve (CSFRRT and CSFRRT6)
- The XCSFKEY class does not grant access to the resource if there is no profile.
- The CRYPTOZ class does not grant access to the resource if there is no profile.
- The CSFSERV class controls access to CCA and PKCS #11 services and ICSF TSO panel utilities.
- The CSFKEYS class controls access to CCA cryptographic keys. You create profiles in this class (based on the label by which the key is defined in the CKDS or PKDS) to set access authority for the keys.
- The XCSFKEY class controls authorization checks when the symmetric key export services are called. See [“Increasing the level of authority required to export symmetric keys” on page 44](#) for additional information.
- The CRYPTOZ class controls access to and defines policy for cryptographic information within PKCS #11 tokens. PKCS #11 tokens are used exclusively by ICSF's PKCS #11 callable services. They are abstract containers that hold keys, certificates, and other related cryptographic information. PKCS #11 tokens are usually explicitly created and assigned to specific applications. The profiles in the CRYPTOZ class determine this assignment and indicate what operations are permitted for a specific PKCS #11 token.

If you are not the security administrator, you may need to ask assistance from that person. To use the auditing capabilities of SAF, you may need to ask for reports from a SAF auditor. Your installation's security plan should show who is responsible for maintaining these SAF profiles and auditing their use.

---

## Cryptographic coprocessor access controls for services and utilities

---

In addition to the CSFSERV class, CCA and PKCS #11 services and utilities are controlled by access control points in the domain role of all cryptographic coprocessors. Most access control points are enable by default. Some access control points are disabled by default for all users and require a TKE workstation to enable.

The access control points are listed in [Appendix E, “CCA access control points and ICSF utilities,” on page 501](#) and [Appendix G of \*z/OS Cryptographic Services ICSF Application Programmer's Guide\*](#). The PKCS #11 access control points are listed in [Chapter 2 of \*z/OS Cryptographic Services ICSF Writing PKCS #11 Applications\*](#).

All access control points for ISPF, UDX, and callable services on the coprocessor can be enabled or disabled using the TKE workstation. A TKE workstation is required if you are using the Enterprise PKCS #11 coprocessor and PKCS #11 access control points may be enabled or disabled.

When a new release of licensed internal code (LIC) is installed on a coprocessors and there are new access control points:

- If you do not have a TKE workstation, the new CCA access control points will have the default setting from the LIC.
- If you have a TKE workstation and you have not changed the settings of any CCA access control points, the new CCA access control points will have the default setting from the LIC.
- If you have a TKE workstation and you have changed the settings of any CCA access control points, the new CCA access control points will be disabled.
- New PKCS #11 access control points will be disabled.

New access control points must be enabled before the new services are available. UDX support is dependent on access control points. If your installation wants to use UDX callable services, the corresponding access control point must be enabled.

For more information, see [z/OS Cryptographic Services ICSF TKE Workstation User's Guide](#).

## Steps for SAF-protecting ICSF services and CCA keys

This procedure describes one approach for SAF-protecting services and CCA keys:

1. Decide whether you will protect keys, services, or both. You can select which keys and services to protect. The CSFKEYS, CSFSERV, and XCSFKEY classes grant access to the key or service if there is no profile. You can create a global generic profile to restrict access.
2. You may want to organize the users who need access to ICSF keys and services into groups. To do this, obtain a list of the user IDs of users who need to use ICSF keys and services. If batch jobs or started tasks need to use ICSF, obtain the user IDs under which they will run.

Group any of the user IDs together if they require access to the same keys and services. For example, you might want to set up groups as follows:

- Users who work with MAC-related callable services.
- Users who work with a particular MAC or a particular PIN.
- Users who call applications to dynamically update the CKDS or PKDS.
- Users who work with digital signing callable services.
- Users who work with PKCS #11 applications.

Usually, all users of ICSF should have access to keys and services by virtue of their membership in one of these SAF groups, rather than specific users. This is because SAF maintains the access lists in in-storage profiles. When the in-storage profiles are created or changed, the in-storage profiles must be refreshed. (Merely changing them in the SAF database is not sufficient. This is analogous to the in-storage CKDS maintained by ICSF.) To refresh the in-storage SAF profiles, the security administrator must use the SETROPTS command:

```
SETROPTS RACLIST(CSFKEYS) REFRESH
SETROPTS RACLIST(CSFSERV) REFRESH
```

If you place *SAF groups* in the access lists of the SAF profiles, you can change a user's access to the protected services and keys by adding or removing the user from the groups. Ask your security administrator to create the SAF groups.

You should also ask your security administrator to connect you to these groups with CONNECT group authority. This permits you to connect and remove users from the groups.

For example, the security administrator could issue these commands:

```
ADDGROUP groupid
CONNECT your-userid GROUP(groupid) AUTHORITY(CONNECT)
```

With CONNECT group authority, you are able to connect other users to the groups:

```
CONNECT other-userid GROUP(groupid)
```

With CONNECT group authority, you are also able to remove users from the groups:

```
REMOVE other-userid GROUP(groupid)
```

3. Ask your security administrator for the authority to create and maintain profiles in the CSFKEYS and CSFSERV general resource classes. Usually, this is done by assigning a user the CLAUTH (class authority) attribute in the specified classes. For example, the security administrator can issue this command:

```
ALTUSER your-userid CLAUTH(CSFKEYS CSFSERV)
```

4. If you want to use generic profiles that contain characters such as \* and %, ask your security administrator to activate generic profile checking in the CSFKEYS and CSFSERV classes:

```
SETROPTS GENERIC(CSFKEYS CSFSERV)
```

**Note:** Using generic profiles has several advantages. Using generic profiles, you can reduce the number of profiles that you need to maintain. You can also create a "top" generic profile that can be used to protect all keys and services that are not protected by a more specific profile.

5. Define profiles in the CSFKEYS and CSFSERV classes. For further instructions, see [“Setting up profiles in the CSFKEYS general resource class”](#) on page 80 and [“Setting up profiles in the CSFSERV general resource class”](#) on page 77.

6. Activate logging for CSFSERV using these commands:

- ALTUSER userid UAUDIT - audits a userid.
- RALTER class-name profile-name AUDIT(*audit-attempt*[(*audit-access-level*)]) - used by the profile owner.  
RALTER class-name profile-name GLOBALAUDIT(*access-attempt*[(*audit-access-level*)]) - used by a user with AUDITOR authority to set up profiles.
- SETROPTS CLASSACT(CSFSERV) RACLIST(CSFSERV)  
SETR LOGOPTIONS(CSFSERV(...))

For more information on RACF RDEFINE, RALTER, and SETR, see the [z/OS Security Server RACF Command Language Reference](#).

## Setting up profiles in the CSFSERV general resource class

To set up profiles in the CSFSERV general resource class, take these steps.

**Note:** The CSFSERV class grants access to the service if there is no profile. You can create a global generic profile to restrict access.

1. Define appropriate profiles in the CSFSERV class:

```
RDEFINE CSFSERV profile-name UACC(NONE)
other-optional-operands
```

Where *profile-name* is the profile that is used to protect the resource. [Appendix I, “Resource names for CCA and ICSF entry points,”](#) on page 523 lists the resources that are used by ICSF and PKDS #11 callable services. [Table 35 on page 78](#) shows the resource names that are used by ICSF TSO panels, utilities, and compatibility services for PCF macros.

To determine which services are used by PKCS #11 services, see 'Controlling access to tokens' in Chapter 1 of *z/OS Cryptographic Services ICSF Writing PKCS #11 Applications*. Users must be SAF authorized to the CSFSERV profile for the services for PKCS #11 services to execute.

**Notes:**

- If the CSF.CSFSERV.AUTH.CSFOWH.DISABLE resource is defined within the XFACILIT class, the SAF authorization check is disabled for CSNBOWH and CSNBOWH1 (One Way Hash). Disabling the SAF check might improve the performance of your applications.
- If the CSF.CSFSERV.AUTH.CSFRNG.DISABLE resource is defined within the XFACILIT class, the SAF authorization check is disabled for CSNBRNG (Random Number Generate) and CSFN RNGL (Random Number Generate Long). Disabling the SAF check might improve the performance of your application.
- These services do not perform SAF authorization checks against key labels or handles (SAF classes CSFKEYS and CRYPTOZ). Therefore, any user ID that is permitted to use these services is able to access any KDS record. The level of access (read or update) depends on the operation of the service:
  - CSFKDSL (Key Data Set List)
  - CSFKDMR (Key Data Set Metadata Read)
  - CSFKDMW (Key Data Set Metadata Write)
  - CSFKDU (Key Dataset Update)
  - CSFRRT (Key Dataset Record Retrieve)

It is recommended that this profile is defined with UACC(NONE) and that no user is given access as it is for diagnostic purposes only.

- Access to these services is denied if there is no covering profile in the CSFSERV class:
  - CSFKDU (Key Dataset Update)
  - CSFRRT (Key Dataset Record Retrieve)

It is recommended that this profile is defined with UACC(NONE) and that no user is given access as it is for diagnostic purposes only.

<i>Table 35. Resource names for ICSF TSO panels, utilities, and compatibility services for PCF macros</i>	
<b>Resource Name</b>	<b>Utility and Callable Service Description</b>
<b>CSFBRCK</b>	CKDS KEYS.
<b>CSFBRPK</b>	PKDS KEYS.
<b>CSFBRTK</b>	PKCS11 TOKEN.
<b>CSFCMK</b>	Change master key utility, including the panel for a local change master key, the Coordinated KDS Administration service, and CSFEUTIL.
<b>CSFCNV</b>	PCF CKDS to ICSF CKDS conversion utility.
<b>CSFCRC</b>	Coordinated KDS Administration.
<b>CSFDKCS</b>	Master key entry utility.
<b>CSFEDC</b>	Compatibility service for the PCF CIPHER macro.
<b>CSFEMK</b>	Compatibility service for the PCF EMK macro.
<b>CSFGKC</b>	Compatibility service for the PCF GENKEY macro.
<b>CSFGKF</b>	Generate key fingerprint. Required by KGUP if key lifecycle auditing is enabled.
<b>CSFKGUP</b>	Key generation utility program.



Table 35. Resource names for ICSF TSO panels, utilities, and compatibility services for PCF macros (continued)

Resource Name	Utility and Callable Service Description
CSFOPKL	Operational key load.
CSFPCAD	Cryptographic processors management (activate/deactivate).
CSFPMCI	Pass phrase master key/KDS initialization utility.
CSFREFR	Refresh CKDS or PKDS utility, including the panels for a local refresh, the Coordinated KDS Administration service, and CSFEUTIL (CKDS) and CSFPUTIL (PKDS).
CSFRENC	Reencipher CKDS or PKDS utility, including the panels for a local refresh, the Coordinated KDS Administration service, and CSFEUTIL (CKDS) and CSFPUTIL (PKDS).
CSFRSWS	Administrative control functions utility (ENABLE).
CSFRWP	CKDS Conversion2 - rewrap option.
CSFRTC	Compatibility service for the CUSP or PCF RETKEY macro.
CSFSMK	Set master key utility.
CSFSSWS	Administrative control functions utility (DISABLE).
CSFUDM	User Defined Extensions (UDX) management functions.

**Note:**

- As with any RACF general resource profile, if you want to change the profile later, use the RALTER command. To change the access list, use the PERMIT command as described in the next step.
- If you have already started ICSF, you need to refresh the in-storage profiles. See Step “3” on page 79.
- You can specify other operands, such as auditing (AUDIT operand), on the RDEFINE or RALTER commands.
- If the security administrator has activated generic profile checking for the CSFSERV class, you can create generic profiles that use the generic characters \* and %. This is the same as with any RACF general resource class.

For example, if generic profile checking is in effect, these profiles enable you to specify which users and jobs can use the Ciphertext Translate callable services. No other services can be used by any job on the system.

```
RDEFINE CSFSERV CSFCTT* UACC(NONE)
RDEFINE CSFSERV CSFCTT% UACC(NONE)
RDEFINE CSFSERV * UACC(NONE)
```

- Give appropriate users (preferably groups) access to the profiles:

```
PERMIT profile-name CLASS(CSFSERV) ID(groupid) ACCESS(READ)
```

- When the profiles are ready to be used, ask the security administrator to activate the CSFSERV class and refresh the in-storage RACF profiles:

```
SETROPTS RACLIST(CSFSERV) REFRESH
```

- If you want to disable SAF authorization checking for the CSFRNG services to potentially improve application performance:

```
RDEF XFACILIT CSF.CSFSERV.AUTH.CSFRNG.DISABLE
SETROPTS RACLIST(XFACILIT) REFRESH
```

5. If you want to disable SAF authorization checking for the CSFOWH services to potentially improve application performance:

```
RDEF XFACILIT CSF.CSFSERV.AUTH.CSFOWH.DISABLE
SETROPTS RACLIST(XFACILIT) REFRESH
```

## Setting up profiles in the CSFKEYS general resource class

For setting up profiles in the CRYPTOZ class for PKCS #11 tokens and objects, see 'Controlling access to tokens' in Chapter 1 of *z/OS Cryptographic Services ICSF Writing PKCS #11 Applications*.

To set up profiles in the CSFKEYS general resource class, take these steps.

**Note:** The CSFKEYS class grants access to the key if there is no profile. You can create a global generic profile to restrict access.

1. Define appropriate profiles in the CSFKEYS class:

```
RDEFINE CSFKEYS label UACC(NONE)
other-optional-operands
```

where *label* is the label by which the key is defined in the CKDS or PKDS.

PKA private key tokens may optionally have a 64-byte *private-key name* field, where *label* is the label by which the key is defined in the CKDS or PKDS, or the optional 64-byte *private-key name* field of a PKA private key token.

For RSA keys, if a *private-key name* exists, ICSF uses RACROUTE REQUEST=AUTH to verify access to the CSFKEYS profile of name *private-key name* prior to using the token in a callable service. For additional security, the processor also validates the entire private key token.

**Note:**

- a. As with any SAF profile, if you want to change the profile later, use the RALTER command. To change the access list, use the PERMIT command as described in the next step.
  - b. If you have already started ICSF, you need to refresh the in-storage profiles. See Step “3” on page 80.
  - c. You can specify other operands, such as auditing (AUDIT operand), on the RDEFINE or RALTER commands.
  - d. If the security administrator has activated generic profile checking for the CSFKEYS class, you can create generic profiles using the generic characters \* and %. This is the same as any SAF general resource class.
2. Give appropriate users (preferably groups) access to the profiles:

```
PERMIT profile-name CLASS(CSFKEYS)
ID(groupid) ACCESS(READ)
```

**Notes:**

- READ authority is the default authority for access to PKDS and CKDS labels for all usage. See “Increasing the level of authority needed to modify key labels” on page 43 for controls available to increase the authority for certain usages.
  - For the exclusive purpose of requiring UPDATE instead of READ authority when transferring a secure symmetric key from encryption under the master key to encryption under an RSA key, you can define profiles in the XCSFKEY class. Profiles in the XCSFKEY class are used in authorization checks only when the Symmetric Key Export service (CSNDSYX, CSNFSYX, or CSNDSXD) is called. See “Increasing the level of authority required to export symmetric keys” on page 44 for additional information.
3. When the profiles are ready to be used, ask the security administrator to activate the CSFKEYS class and refresh the in-storage SAF profiles:

```
SETROPTS CLASSACT(CSFKEYS)
SETROPTS RACLIST(CSFKEYS) REFRESH
```

## Setting up prefixed profiles in the CSFSERV and CSFKEYS general resource classes

Prefixing can be enabled for the CSFSERV and CSFKEYS general resource classes to allow for greater control over resource profiles shared across multiple systems utilizing the same RACF database. When enabled, the system name is prepended to the resource profile and checked against the RACF database. As a prerequisite, generic profiles must be enabled for CSFKEYS or CSFSERV for the prefixed profiles to be in effect. This functionality is available on ICSF FMID HCR77D0 and later running on z/OS V2R3, with PTF for APAR OA54350 applied, and later. You should check the preventive service planning (PSP) bucket for individual component APARs that need to be applied when using keys for data set encryption in order to take advantage of this new function.

The CSF.PREFIX.CSFKEYS.ENABLED XFACILIT profile can be defined to enable prefixing for CSFKEYS profiles using the following commands:

```
RDEFINE XFACILIT CSF.PREFIX.CSFKEYS.ENABLED
SETR RACLIST(XFACILIT) REFRESH
```

Subsequently, the CSF.PREFIX.CSFSERV.ENABLED XFACILIT profile can be defined to enable prefixing for CSFSERV profiles using the following commands:

```
RDEFINE XFACILIT CSF.PREFIX.CSFSERV.ENABLED
SETR RACLIST(XFACILIT) REFRESH
```

When enabled, prefixing can be configured properly by creating RACF variables through the RACFVARS class. For information about setting up and defining a RACF variable, see [z/OS Security Server RACF Security Administrator's Guide](#).

**Note:** You must refresh the RACFVARS and CSFKEYS/CSFSERV classes after making changes to the RACFVARS class to pick up the latest changes:

```
SETROPTS RACLIST(RACFVARS) REFRESH
SETROPTS RACLIST(CSFSERV) REFRESH
SETROPTS RACLIST(CSFKEYS) REFRESH
```

**Important:** Enabling this feature may disable all current CSFKEYS and CSFSERV profiles so ensure that you have correctly defined new prefixed profiles before enabling.

### Examples

To define RACF variables, issue the following commands:

```
RDEFINE RACFVARS &PRODSYS ADDMEM(PROD1 PROD2 PROD3)
RDEFINE RACFVARS &TESTSYS ADDMEM(TEST1 TEST2)
SETROPTS RACLIST(RACFVARS) REFRESH
```

Where *PROD1*, *PROD2*, *TEST1*, and *TEST2* are the system names.

To define CSFKEYS profiles, issue the following commands:

```
RDEFINE CSFKEYS &TESTSYS.KEY1 UACC(NONE)
SETROPTS RACLIST(CSFKEYS) REFRESH
```

To define CSFSERV profiles, issue the following commands:

```
RDEFINE CSFSERV &PRODSYS.CSFKGN UACC(NONE)
SETROPTS RACLIST(CSFSERV) REFRESH
```

## Enabling use of encrypted keys in callable services that exploit CPACF

---

The Field Level Encipher, Field Level Decipher, Symmetric Key Encipher, and Symmetric Key Decipher callable services exploit CP Assist for Cryptographic Functions (CPACF) for improved performance.

The CKDS Key Record Read2 callable service can return the protected-key CPACF form of the CCA token to a caller with sufficient authority (either system key or supervisor state).

These services support encrypted version 04 AES DATA, version 05 AES CIPHER, and DES DATA key tokens through the key label. DES and version 04 AES DATA key tokens requires the Crypto Express3 or later adapter.

For DES and version 04 AES DATA key tokens, a CSFKEYS profile must exist which covers the key label and includes an ICSF segment.

The SYMCPACFWRAP field of the ICSF segment enables you to specify whether ICSF can rewrap the encrypted key by using the CPACF wrapping key. The specification:

- SYMCPACFWRAP(YES) indicates that encrypted keys that are covered by the profile can be rewrapped.
- SYMCPACFWRAP(NO), which is the default, indicates that encrypted keys that are covered by the profile cannot be rewrapped.

For version 05 AES CIPHER key tokens, wrapping is controlled by the “Allow export to protected key format” key management flag in the key token. This flag is enabled when building the key token by invoking the Key Token Build2 (CSNBKTB2/CSNEKTB2) callable service with the XPRTCPAC keyword.

The Field Level Encipher and Field Level Decipher callable services exploit CP Assist for Cryptographic Functions (CPACF). These services support AES and DES clear key values and clear DATA key tokens for the key identifier and DES DATA, version 04 AES DATA, and version 05 AES CIPHER encrypted key tokens that are stored in the CKDS. These services have been enhanced to support encrypted key tokens that are not stored in the CKDS.

To use an encrypted DES or version 04 AES DATA key that does not reside in the CKDS, all of the following conditions must be true:

1. The CSFKEYS class must be active and RACLISTed.
2. The ICSF segment of the CSFKEYS class general resource profile CSF-PROTECTED-KEY-TOKEN (or its generic equivalent) must contain SYMCPACFWRAP(YES).
3. The user who is associated with the application must have READ access to the profile.

To use an encrypted version 05 AES CIPHER key that does not reside in the CKDS, all of the following conditions must be true:

1. The CSFKEYS class must be active and RACLISTed.
2. The user who is associated with the application must have READ access to the CSF-PROTECTED-KEY-TOKEN (or its generic equivalent) CSFKEYS profile.
3. The “Allow export to protected key format” key management flag must be enabled in the key token.

**Note:** When key store policy is enabled, the default key label check is not enforced for encrypted key tokens. The CSF-PROTECTED-KEY-TOKEN profile is used in place of the CSF-CKDS-DEFAULT profile.

In addition to the requirements above, for CKDS Key Record Read2, the SYMCPACFRET field of the ICSF segment enables you to specify whether ICSF can return the protected-key form of the CCA token to a caller. The specification:

- SYMCPACFRET(YES) indicates that keys that are covered by the profile can be returned to the caller in their protected-key CPACF form.
- SYMCPACFRET(NO), which is the default, indicates that keys that are covered by the profile cannot be returned to the caller in their protected-key CPACF form.

Rewrapping the encrypted key by using the CPACF wrapping key is necessary to use an encrypted key as input to the Symmetric Key Encipher, Symmetric Key Decipher, Field Level Encipher, or Field Level Decipher callable services. You should be aware, however, that although the rewrapping operation ensures that no key is visible in application or system storage, the operation also requires the key to exist in the clear outside of the tamper-resistant hardware boundary.

**Example of CSFKEYS configuration for encrypted DES and version 04 AES DATA key token use:** The CSFKEYS general resource profile DES.CHAOS.CAT covers an encrypted key that is stored in the CKDS that you would like to use as input to the Symmetric Key Encipher and Symmetric Key Decipher callable services. The following command modifies the SYMCPACFWRAP field of the profile's ICSF segment to allow this. The SETROPTS RACLIST command is used to refresh the CSFKEYS class in common storage.

```
RALTER CSFKEYS DES.CHAOS.CAT ICSF(SYMCPACFWRAP(YES))
SETROPTS RACLIST(CSFKEYS) REFRESH
```

The CSF-PROTECTED-KEY-TOKEN CSFKEYS profile can be defined for use with key tokens outside the CKDS in the Field Level Encipher and Field Level Decipher services by using the following commands:

```
RDEFINE CSFKEYS CSF-PROTECTED-KEY-TOKEN ICSF(SYMCPACFWRAP(YES))
UACC(NONE)
PERMIT CSF-PROTECTED-KEY-TOKEN ID(group-id) CLASS(CSFKEYS) ACCESS(READ)
SETR RACLIST(CSFKEYS) REFRESH
```

**Note:** If SAF profile prefixing is enabled, the CSF-PROTECTED-KEY-TOKEN CSFKEYS profile must be defined with the appropriate prefix prepended to the profile name.

## Setting up SAF conditional access control for the CSFKEYS general resource class

SAF conditional access control can be enabled for the CSFKEYS general resource class to restrict keys to specific services. When enabled, if the standard access list for the CSFKEYS profile restricts access to the key, the conditional access list is checked for access. The conditional access list supplements the standard access list. If the XFACILIT profile is undefined, the conditional access list is ignored. This functionality is available on ICSF FMID HCR77D0 and later running on z/OS V2R3, with PTF for APAR OA54350 applied, and later.

The CSF.CSFKEYS.CONDITIONAL.ACCESS.CONTROL XFACILIT profile can be defined to enable SAF conditional access control for CSFKEYS profiles using the following commands:

```
RDEFINE XFACILIT CSF.CSFKEYS.CONDITIONAL.ACCESS.CONTROL
SETR RACLIST(XFACILIT) REFRESH
```

To define a conditional access list for a CSFKEYS profile, the SERVICE CRITERIA keyword must be specified on the PERMIT command to define the ICSF services that the key can be used with. For information on the PERMIT command or restrictions when using the SERVICE CRITERIA keyword, see [z/OS Security Server RACF Command Language Reference](#).

The following is an example of the commands to define a conditional access list:

```
PERMIT key-label-name CLASS(CSFKEYS) ID(user) ACCESS(READ)
  WHEN(CRITERIA(SERVICE(servicename1, servicename2, ...)))
SETROPTS RACLIST(CSFKEYS) REFRESH
```

**Note:** The service names specified on the PERMIT command are the ICSF resource names as defined Appendix I, “Resource names for CCA and ICSF entry points,” on page 523.

## Optional SAF checking for KGUP

There are two optional controls for KGUP control statement processing. The controls are enabled by XFACILIT class profiles

## KGUP verb authority control

The verb authority control is enabled by creating the CSF.KGUP.VERB.AUTHORITY.CHECK profile for the XFACILIT class. The CSFKGUP resource in the CSFSERV class is used to restrict authority to the KGUP control statement verbs.

When the verb authority control is not enabled, any authorized user of KGUP can use all of the control statement verbs.

**Note:** If there is no SAF profile defined for the CSFKGUP resource, all users are authorized by default.

When the verb authority control is enabled, the user's SAF authority to the CSFKGUP resource is required to have this level of authority to use the verbs:

Verbs	Authority
ADD, RENAME, OPKYLOAD	READ (default authority)
DELETE, UPDATE	UPDATE

## KGUP CSFKEYS authority control

The CSFKEYS authority control is enabled by creating the CSF.KGUP.CSFKEYS.AUTHORITY.CHECK profile in the XFACILIT class.

When the CSFKEYS authority control is not enabled, there are no SAF checks against the CSFKEYS class for labels used by KGUP control statements.

When the CSFKEYS authority control is enabled, all labels referenced in KGUP control statements are SAF checked against the profiles in the CSFKEYS class. The key store policy granular key access control setting is also enforced, both for warn and fail modes. The user has READ authority if no profile for the label exists.

When the SAF profile prefixing is enabled, the system name is prepended to the resource profile and checked against the RACF database. For more information, see [“Setting up prefixed profiles in the CSFSERV and CSFKEYS general resource classes”](#) on page 81.

Source of label	Authority (default)	Authority when granular key access is enabled
Verb ADD: LABEL or RANGE keyword	READ	UPDATE
Verbs DELETE and UPDATE: LABEL or RANGE keyword	READ	CONTROL
Verb RENAME: LABEL keyword	READ	CONTROL
Verb OPKYLOAD: LABEL keyword	READ	UPDATE
Verbs ADD and UPDATE: TRANSKEY keyword	READ	READ

---

## Chapter 6. Monitoring users and jobs that perform cryptographic operations

ICSF provides cryptographic usage tracking of applications and components that use ICSF services.

Cryptographic usage statistics can help you determine:

- The jobs and tasks that are using the various cryptographic engines.
- The cryptographic card types that are getting the most requests.
- If any cryptographic requests are being handled in software.
- The peak periods of cryptographic usage.
- The ICSF services that are being started by other z/OS components.
- The jobs and tasks that are using out-of-date algorithms or key sizes.

---

### Configuring ICSF for cryptographic usage tracking

Each ICSF instance can be configured to collect cryptographic usage data when crypto operations are either performed by that ICSF instance or reported to that ICSF instance by the CSFSTAT callable service. For more information on the CSFSTAT callable service, see [z/OS Cryptographic Services ICSF Application Programmer's Guide](#).

The cryptographic usage statistics are:

#### **ENG**

Tracks the usage of cryptographic engines. When enabled, ICSF tracks the usage of Crypto Express adapters, regional cryptographic servers, CPACF, and software.

#### **SRV**

Tracks the usage of cryptographic services. When enabled, ICSF tracks the usage of ICSF callable services and UDXes.

#### **ALG**

Tracks the usage of cryptographic algorithms. When enabled, ICSF tracks the usage of cryptographic algorithms that are referenced in cryptographic operations. Key generation, derivation, and import have limited support.

Each ICSF instance can track the usage of cryptographic engines (ENG), cryptographic services (SRV), and cryptographic algorithms (ALG) for that LPAR. To track Crypto Express adapter usage across all ICSF instances and card domains, use the z/OS Resource Measurement Facility (RMF), which shows total cryptographic engine usage. Together, ICSF and RMF can help you determine:

- If a different card configuration can be better (for example, more or less accelerators).
- If more cryptographic cards are needed.

**Note:** In environments that have a high volume of operations that are running under task level user ids, the STATSFILTERS option can be specified to control the aggregation of data and reduce the number of SMF records written.

---

### Configuring SMF for cryptographic usage tracking

ICSF aggregates crypto usage statistics by:

- HOME address space job ID (for example, the task or job that initiated the cryptographic request).
- HOME address space job name (for example, the task or job that initiated the crypto request).
- SECONDARY address space job name (for example, the caller that made the program call or space switch to ICSF).



- HOME address space user ID.
- Task level user ID (if available).
- ASID.

This information is known as the job/user data. When cryptographic usage statistics are enabled, ICSF creates an SMF type 82 subtype 31 record for each job/user that is associated with cryptographic usage in a specified period of time.

**Note:** In environments that have a high volume of operations that are running under task level user ids, the STATSFILTERS option can be specified to control the aggregation of data and reduce the number of SMF records written.

Cryptographic usage recording is synchronized to the SMF recording interval. Your SMFPRMxx member must contain:

- The collection interval (INTVAL).
- The synchronization value (SYNCVAL).
- The Cryptographic Usage Statistics subtype 31 for ICSF type 82 records (TYPE).

For each SMF recording interval, ICSF accumulates usage counts for every job/user. When an SMF recording interval ends, ICSF continues to collect usage counts for an extra 30 seconds. Thus, the ICSF recording interval is offset from the SMF interval by 30 seconds. This delay ensures that ICSF usage data does not flood SMF buffers, which might already be synchronized on the same interval with other SMF data (for example, type 30).

Each type 82 subtype 31 SMF record contains the counts for cryptographic usage during the ICSF recording interval.

**Note:** If the CSFSTAT service is started for tracking cryptographic engine statistics, the period of cryptographic usage might not match the period of recording.

For more information on the SMF record format, see [z/OS Cryptographic Services ICSF System Programmer's Guide](#).

For more information on SMFPRMxx, see 'Using SMFPRMxx parameters' in [z/OS MVS System Management Facilities \(SMF\)](#).

## Enabling and disabling cryptographic usage tracking

---

Cryptographic usage tracking can be enabled or disabled at ICSF initialization (with the STATS option in CSFPRMxx) or dynamically after ICSF initialization (with the SETICSF OPT,STATS operator command).

The SETICSF OPT,REFRESH command has no effect on the STATS option. Any STATS options that have been dynamically set will remain set after the SETICSF OPT,REFRESH command completes.

DISPLAY ICSF, OPT shows which cryptographic usage statistics are enabled.

**Note:** DISPLAY ICSF,CARDS and DISPLAY ICSF,RD shows the card usage count since the start of ICSF.

For more details on the STATS options and commands, see [z/OS Cryptographic Services ICSF System Programmer's Guide](#).



---

## Chapter 7. Using the pass phrase initialization utility

The pass phrase initialization utility allows the casual user of ICSF to install the necessary master keys on the cryptographic coprocessors, and initialize the CKDS and PKDS with a minimal effort. This topic describes how to use this utility to get up and running quickly.

**Note:** The pass phrase initialization utility is used to install the master keys for CCA coprocessors only. The master key for Enterprise PKCS #11 coprocessors can only be entered via a TKE workstation as explained in [Chapter 9, “Managing PKCS #11 master keys,”](#) on page 141.

The pass phrase is case sensitive and should be chosen according to these rules:

- It can contain a minimum of 16 and a maximum of 64 characters.
- It can include any characters in the EBCDIC character set.
- It can contain imbedded blanks, but leading and trailing blanks are truncated.

**Important:** The same pass phrase will always produce the same master key values, and is therefore as critical and sensitive as the master key values themselves. Make sure you save the pass phrase so that you can later reenter it if needed (for example, if you need to restore master key values that have been cleared). Because of the sensitive nature of the pass phrase, make sure you secure it in a safe place.

The pass phrase initialization utility can:

- Initialize a system for the first time (Initialize system).
- Reinitialize a system where the master keys have been cleared (Reinitialize system).
- Initialize a new system when migrating to a new server with an existing CKDS and PKDS (Reinitialize system).
- Load the master keys on CCA coprocessors that are brought online after system initialization (Add coprocessors).
- Add new master keys to the system after migrating to a newer server (Add AES-MK or Add missing MKs).

You cannot use this utility to change master keys. To change master keys you need to use either the master key entry panels or the TKE workstation.

If you plan on sharing your CKDS or PKDS within your sysplex, refer to [Chapter 12, “Running in a Sysplex Environment,”](#) on page 155 for important information.

Starting with ICSF FMID HCR77A0, the DES master key may be 16 or 24 bytes long. If the **DES master key – 24-byte key** access control point is enabled, the pass phrase initialization utility will load a 24-byte value to the DES master key. A TKE workstation is required to enable access control points.

---

### Requirements for running the Pass Phrase Initialization Utility

When you run the pass phrase initialization utility for the first time, you must perform these steps:

1. Install the ICSF program product according to the instructions in [z/OS Planning for Installation](#).
2. Create an empty CKDS.
3. Create an empty PKDS.
4. Create an installation options data set.
5. Create an ICSF startup procedure.
6. Ensure ICSF is running in COMPAT(NO) mode
7. Start ICSF.
8. Access the ICSF panels.

These steps are described in *z/OS Cryptographic Services ICSF System Programmer's Guide*.

There are three formats of the CKDS. These are described in *z/OS Cryptographic Services ICSF System Programmer's Guide*:

- Fixed-length record – LRECL 252 (supported by all releases of ICSF).
- Variable-length record – LRECL 1024 (supported by ICSF FMID HCR7780 and later releases).
- Common record format (KDSR) – LRECL 2048 (supported by ICSF FMID HCR77A1 and later releases).

There are two formats for the PKDS. These are described in *z/OS Cryptographic Services ICSF System Programmer's Guide*. The LRECL is the same for both formats, but the internal record structure is different.

- Base format (supported by all releases of ICSF).
- Common record format (KDSR) (supported by ICSF FMID HCR77A1 and later releases).

The pass phrase initialization utility can be used with all formats of CKDS and PKDS. If you want to use the KDSR format for the CKDS and PKDS, select KDSR format on the PPINIT panel when initializing your system.

## SAF Protection

The pass phrase initialization utility is primarily protected by the CSFPMCI profile for the CSFSERV SAF class. Only the users authorized to the CSFPMCI profile can use the utility. In addition, the user must be authorized to all or some of these services which are used by the utility. The services used are dependent on the function or functions of PPINIT that are being utilized.

- CSFOWH
- CSFDKCS
- CSFCMK
- CSFECO
- CSFMDG
- CSFSMK
- CSFREFR
- CSFRSWS

## Running the Pass Phrase Initialization Utility

---

When you start ICSF, you use the ICSF panels to run the pass phrase initialization utility. When you access the ICSF panels, the primary menu panel appears. The ICSF FMID appears in the upper left corner (it toggles to the panel identification ID).

Select option 6, PPINIT, and press ENTER to begin the pass phrase initialization utility. The pass phrase panel appropriate for your hardware configuration appears.

If you are running on:

**z196, z114, or later zHardware and with a CEX3C or later, you have AES and ECC master key support and the CSFPMC40 Pass Phrase MK/CKDS/PKDS Initialization panel appears.**

```
CSFPMC40 ----- ICSF - Pass Phrase MK/CKDS/PKDS Initialization -----
COMMAND ==>

Enter your pass phrase (16 to 64 characters)
==>

Select one of the initialization actions then press ENTER to process.

_ Initialize system - Load the AES, DES, ECC, and RSA master keys to all
  coprocessors and initialize the CKDS and PKDS, making them the active key
  data sets.
  KDSR format (Y/N) ==> Y
  CKDS ==>
  PKDS ==>

_ Reinitialize system - Load the AES, DES, ECC, and RSA master keys to all
  coprocessors and make the specified CKDS and PKDS the active key data
  sets.
  CKDS ==>
  PKDS ==>

_ Add coprocessors - Initialize additional inactive (Master key incorrect)
  coprocessors with the same AES, DES, ECC, and RSA master keys.

_ Add missing MKs - Load missing AES and/or ECC master keys on each active
  coprocessor. Update the currently active CKDS and/or PKDS to include the
  MKVP of the loaded MK(s).

Press ENTER to process.
Press END to exit to the previous menu.
```

**z9, z10, or later with the Nov. 2008 or later licensed internal code (LIC), you have AES master key support and the CSFPMC30 Pass Phrase MK/CKDS/PKDS Initialization panel appears.**

```
CSFPMC30 ----- ICSF - Pass Phrase MK/CKDS/PKDS Initialization ---
Command ==>
Enter your pass phrase (16 to 64 characters)
==>

Select one of the initialization actions then press ENTER to process.

_ Initialize system - Load the AES, DES and RSA master keys to all
  coprocessors and initialize the CKDS and PKDS,
  making them the active key data sets.
  KDSR format (Y/N) ==> Y
  CKDS ==>
  PKDS ==>

_ Reinitialize system - Load the AES, DES, and RSA master keys to all
  coprocessors and make the specified CKDS and PKDS the active key data sets.
  CKDS ==>
  PKDS ==>

_ Add coprocessors - Initialize additional inactive (Master key incorrect)
  coprocessors with the same AES, DES, and RSA master keys.

_ Add AES-MK - Add the AES master key to all active coprocessors and the
  current CKDS.

Press ENTER to process.
Press END to exit to the previous menu.
```

## The CSFPMC10 Pass Phrase MK/CKDS/PKDS Initialization panel appears.

```
CSFPMC10 ----- ICSF - Pass Phrase MK/CKDS/PKDS Initialization ---
Command ==>
Enter your pass phrase (16 to 64 characters)
==>

Select one of the initialization actions then press ENTER to process.

_ Initialize system - Load the DES and RSA master keys to all
  coprocessors and initialize the CKDS and the PKDS,
  making them the active key data sets.
  KDSR format (Y/N) ==> Y
  CKDS ==>
  PKDS ==>

_ Reinitialize system - Load the DES and RSA master keys to all
  coprocessors and make the specified CKDS and the PKDS the active key data
  sets.
  CKDS ==>
  PKDS ==>

_ Add coprocessors - Initialize additional inactive (Master key incorrect)
  coprocessors with the same DES and RSA master keys.

Press ENTER to process.
Press END to exit to the previous menu.
```

This utility uses the pass phrase, a series of constants, and the MD5 and SHA-256 hash functions to calculate the value of the master keys. For details on how the values of master keys are calculated, see [“Pass Phrase Initialization master key calculations”](#) on page 495.

## Steps for initializing a system for the first time

Use this section when starting ICSF for the first time to load the master keys and to initialize your CKDS and PKDS.

1. Type the pass phrase in the space provided and select the 'Initialize system' option by placing an "s" in the "\_ " field.

**Note: Make sure you save the pass phrase and store it in a secure location.** The same pass phrase will always produce the same master key values and is therefore as critical and sensitive as the master key values themselves. Make sure you save the pass phrase so that you can later reenter it if needed (for example, if you need to restore master key values that have been cleared). Because of the sensitive nature of the pass phrase, make sure you secure it in a safe place.

2. Fill in the CKDS and PKDS fields with the names of two VSAM data sets that have not been initialized.

If you want to use the KDSR format for the PKDS, you must answer “Y” to KDSR format. The format of the CKDS will be determined from the data set attributes.

3. Press ENTER to run the utility.

This utility calculates the value of the master keys, loads the master keys on all coprocessors, and initializes the CKDS and PKDS.

Messages on the bottom half of the panel display the progress of the utility.

4. If there are any valid master keys on your system, the [“CSFPMC20 — Pass Phrase MK/CKDS/PKDS Initialization”](#) on page 486 panel appears. This prevents you from making a mistake and changing a system that is already operational.

5. When the utility has completed successfully, press END to return to the primary menu.

If the initialization was not successful, you will have to reallocate the CKDS and PKDS again before retrying.

## Steps for reinitializing a system

---

Use this section when you are reinitializing a system after the master keys have been cleared or you are migrating to a new server.

You must use the same pass phrase you originally used to initialize the master keys, CKDS and PKDS.

**Note:** If the system supports any additional master key type and there is no MKVP in the CKDS or PKDS for the key type, the master key will not become active. Select Add missing MKs after the system has been initialized to add any new master keys that the new server supports.

1. Type the pass phrase in the space that is provided and select Reinitialize system by placing an "s" in the "\_" field.
2. Fill in the CKDS and PKDS fields with the names of VSAM data sets that were used when your system was initialized.
3. Press ENTER to run the utility.

The utility verifies that the pass phrase matches the CKDS and PKDS. The master key values are calculated and loaded into all coprocessors.

Messages on the panel display the progress of the utility.

4. If there are any valid master keys on your system, the "CSFPMC20 — Pass Phrase MK/CKDS/PKDS Initialization" on page 486 panel appears. This prevents you from making a mistake and changing a system that is already operational.
5. When the utility has completed successfully, press END to return to the primary menu.

## Steps for adding a CCA coprocessor after first time Pass Phrase Initialization

---

Use this section when you add more coprocessors to your system. ICSF will load the same master key values into the new coprocessors.

You must use the same pass phrase as when you originally ran PPINIT to initialize the active CKDS and PKDS.

**Note:** At least one coprocessor must be active and the PKA callable services control must be enabled where applicable.

1. Type the pass phrase in the space that is provided and select the 'Add coprocessors' option by placing an "s" in the "\_" field.
2. Press ENTER to run the utility.

The utility will calculate the master key values and load the master keys on all coprocessors that are not active.

Messages on the bottom half of the panel display the progress of the utility.

3. When the utility has completed successfully, press END to return to the primary menu.

## Steps to add missing master keys

---

Use this section to add new master keys after migrating to a server that supports master keys that were not available when your CKDS and PKDS were initialized. The master key value is calculated from your pass phrase, loaded and set. The CKDS and PKDS are updated so keys for the new algorithms can be stored in them.

You must use the same pass phrase that you originally used to initialize the master keys, CKDS, and PKDS.

1. Type the pass phrase in the space that is provided and select the Add missing MKs option by placing an "s" in the "\_" field.
2. Press ENTER to run the utility.

The utility verifies that the pass phrase matches the active CKDS and PKDS. The values of the new master keys are calculated and loaded into all coprocessors. The CKDS and PKDS are updated with the master key verification pattern of the new master keys.

Messages on the bottom half of the panel display the progress of the utility.

3. When the utility has completed successfully, press END to return to the primary menu.

If you have multiple systems and are adding missing master keys, you follow the steps on one system. For the rest of the systems, enter your pass phrase, the names of the initialized CKDS and PKDS, select Reinitialize system, and then press ENTER to run the utility.

## **Initializing multiple systems with pass phrase initialization utility**

Use this scenario when using the pass phrase initialization utility to initialize more than one system where the CKDS and PKDS will be shared by all systems:

1. Select a system, A. This system will be used to initialize the CKDS and PKDS.
2. On system A, enter your pass phrase, the names of the empty CKDS and PKDS and select 'Initialize system' and press ENTER to run the utility.
3. When system A has been successfully initialized, the rest of the systems to share the CKDS and PKDS can be initialized.
4. For the rest of the systems, enter your pass phrase, the names of the initialized CKDS and PKDS and select 'Reinitialize system' and press ENTER to run the utility.

---

## Chapter 8. Managing CCA Master Keys

This topic describes how to manage the CCA master keys, the Cryptographic Key Data Set (CKDS), and the Public Key Data Set (PKDS).

This topic describes how to:

- Enter master keys using the Master Key Entry panels.
- Reenter master keys when they are cleared.
- Initialize the CKDS and PKDS for the first time.
- Update the CKDS or PKDS with an additional master key.
- Refresh the CKDS and PKDS (load a different KDS or reload the same KDS).
- Change master keys including reenciphering the KDS.
- Add coprocessors after initialization.
- Clear master keys.

The CCA master keys are described in [“Master keys” on page 9](#).

---

### Introduction

Master keys are required for cryptographic operations. They can be loaded by using the TKE workstation or the ICSF Master Key Entry panels. Either method is acceptable anywhere that the description says to load the master keys:

- See [“Entering master key parts” on page 99](#) for information on using the ICSF Master Key Entry panels to enter master key parts.
- See [z/OS Cryptographic Services ICSF TKE Workstation User's Guide](#) for information on using the TKE workstation to enter master key parts.

**Important:** Regardless of the source of the master key parts or the method of key entry, **make sure that the key parts are recorded and saved in a secure location.** When you are entering the key parts for the first time, be aware that **you might need to reenter these same key values later** to restore master key values that have been cleared or for new coprocessors added to your systems.

All master keys are optional. You should load the master keys that are required for your cryptographic applications. You can add the master keys that are not in use at any time.

The CKDS and PKDS are used to store cryptographic keys for use by ICSF callable services. The CKDS and PKDS must be initialized before they can be used. The initialization creates a header record with the verification pattern of the master keys. The process of initializing the key data sets causes the master keys to be set and the coprocessors become active. See [“Initializing the key data sets at first-time startup” on page 115](#).

When you want to start using a new master key after the key data sets have been initialized, the key data sets must be updated to add the master key verification pattern to the header record. See [“Updating the key data sets with additional master keys” on page 118](#) for additional information.

The CKDS and PKDS can be refreshed. You can load the same key data set or a different key data set. Refreshing the KDS does not disrupt cryptographic functions. See [“Refreshing the key data sets” on page 120](#) for additional information.

Master keys should be changed periodically. Changing the master keys involves loading the new master key registers, reenciphering the key data sets, and setting the master keys. The change master key utilities promote the master keys from the new register to the current register and activate the reenciphered key data sets for continuous operation. See [“Changing the master keys” on page 126](#) for additional information.

**Important:** The master keys are loaded into the new master key register. The utilities that are described in this topic require the master keys to be in the new master key register and not set. Newer versions of the TKE workstation allow the master keys to be set from the TKE workstation. This option must not be used for a coprocessor or domain that is visible to ICSF. Setting the master keys from the TKE workstation might result in the loss of the cryptographic function of that coprocessor or domain. Setting the master keys should be done by using the ICSF utilities so that ICSF knows that the master keys have changed.

New coprocessors can be added to your systems. For the coprocessors to become active, the master keys must be loaded and set. You need the same master key parts for the current master keys. See [“Reentering master keys when they have been cleared” on page 113](#) for additional information.

## Coordinated and local utilities

The utilities that are described in this topic can be used on a single LPAR (local) or for all members of a sysplex sharing a key data set (coordinated). Not all local utilities have a coordinated version.

The coordinated administration utilities, refresh key data set, and master key change operate across sysplex members sharing the same active key data set. The coordinated administration functions simplify master key management by automating the manual process for performing local refreshes and local master key changes. Although a sysplex environment is not required to use these functions, sysplex environments gain the maximum benefit from them when the changes are coordinated across all LPARs sharing the same active KDS.

Coordinated KDS change master key offers further advantages in a sysplex environment. Specifically, a master key change that is initiated from one ICSF instance in the sysplex changes the master key or keys for all ICSF instances in the sysplex that share the same active KDS. The coordinated KDS change master key utility is initiated from a single ICSF instance. This can be either a stand-alone system or a member of a sysplex cluster.

The Master Key Entry panels can be used to load master keys on a single LPAR. See [“Entering master key parts” on page 99](#). The TKE workstation can be used to load master keys on multiple coprocessors for a single LPAR or all coprocessors being administrated by the TKE workstation. For information on using the TKE workstation, see *z/OS Cryptographic Services ICSF TKE Workstation User's Guide*.

Initialization of the key data sets is done on a single LPAR. See [“Initializing the key data sets at first-time startup” on page 115](#). The initialized key data sets are then used to set the master keys for the remaining LPARs of a sysplex. See [Chapter 12, “Running in a Sysplex Environment,” on page 155](#) for the procedure to initialize a key data set in a sysplex.

Adding a new master key to an existing key data set is done on a single LPAR. See [“Updating the key data sets with additional master keys” on page 118](#) for additional information. The updated key data set is then used to set the new master key for the remaining LPARs of a sysplex. See [Chapter 12, “Running in a Sysplex Environment,” on page 155](#) for the procedure for updating a key data set in a sysplex.

Refreshing a key data set can be done on a single LPAR or for all members sharing the key data set in a sysplex.

- A local CKDS refresh can be done by using the ICSF Key Data Set Management panels (see [“Refreshing the key data sets” on page 120](#)) or as a batch job by using CSFEUTIL (see [Chapter 20, “Using the ICSF Utility Program CSFEUTIL,” on page 439](#)).
- A local PKDS refresh can be done by using the ICSF Key Data Set Management panels (see [“Refreshing the key data sets” on page 120](#)) or as a batch job by using CSFPUTIL (see [Chapter 21, “Using the ICSF Utility Program CSFPUTIL,” on page 449](#)).
- A coordinated CKDS or PKDS refresh can be done by using the ICSF Key Data Set Management panels or by writing an application to start the Coordinated KDS Administration (CSFCRC) callable service. For the description of the service, see *z/OS Cryptographic Services ICSF Application Programmer's Guide*.

Changing the master keys can be done on a single LPAR or for all members sharing the key data set in a sysplex.

- The master key registers are loaded by using the Master Key Entry panels or the TKE workstation.



- A local CKDS reencipher can be done by using the ICSF CKDS Management panels (see “Changing the master keys” on page 126) or as a batch job by using CSFEUTIL (see Chapter 20, “Using the ICSF Utility Program CSFEUTIL,” on page 439).
- A local change symmetric master key can be done by using the ICSF CKDS Management panels (see “Changing the master keys” on page 126) or as a batch job by using CSFEUTIL (see Chapter 20, “Using the ICSF Utility Program CSFEUTIL,” on page 439).
- A local PKDS reencipher can be done by using the ICSF PKDS Management panels (see “Changing the master keys” on page 126) or as a batch job by using CSFPUTIL (see Chapter 21, “Using the ICSF Utility Program CSFPUTIL,” on page 449).
- A local change asymmetric master key can be done by using the ICSF PKDS Management panels. See “Changing the master keys” on page 126.
- A coordinated CKDS or PKDS change master key combines the reenciphering of the key data set and the setting of the master keys. A CKDS or PKDS coordinated change master key can be done by using the ICSF Key Data Set Management panels (see “Changing the master keys” on page 126) or by writing an application to start the Coordinated KDS Administration (CSFCRC) callable service. For the description of the service, see *z/OS Cryptographic Services ICSF Application Programmer's Guide*.

The Set Master Key utility is used to set the master key on a single LPAR.

## Cryptographic features

The cryptographic coprocessors on your systems depends on your configuration. Each coprocessor is capable of performing cryptographic functions and holding master keys within a secure boundary. Table 36 on page 95 lists the CCA coprocessors, the servers that they are available on, and the supported master keys:

Server	Cryptographic coprocessor	Master keys
<b>z9 EC and z9 BC</b>	CEX2C	AES, DES, and RSA
<b>z10 EC and z10 BC</b>	CEX2C and CEX3C	AES, DES, and RSA
<b>z114 and z196</b>	CEX3C	AES, DES, ECC, and RSA
<b>zEC12 and zBC12</b>	CEX3C and CEX4C	AES, DES, ECC, and RSA
<b>z13 and z13s</b>	CEX5C	AES, DES, ECC, and RSA
<b>z14 and z14 ZR1</b>	CEX5C and CEX6C	AES, DES, ECC, and RSA

**Note:** The cryptographic accelerators improve clear key RSA operation performance. They do not require the setting of master keys.

## Identification of cryptographic features

Starting in ICSF FMID HCR77B0, the prefix used to identify Crypto Express2, Crypto Express3, and Crypto Express4 adapters has changed. The following table lists the prefix for these adapters for FMIDs prior to HCR77B0 and the prefix for these adapters for FMID HCR77B0 and later releases. This change applies to ICSF messages, panels, and publications. The TKE workstation uses this same identification starting with TKE release 8.0.

Cryptographic adapter	Prefix for FMIDs prior to HCR77B0	Prefix for FMID HCR77B0 and later
<b>Crypto Express2 coprocessor</b>	E	2C
<b>Crypto Express2 accelerator</b>	F	2A

Table 37. Cryptographic adapter identification (continued)

Cryptographic adapter	Prefix for FMIDs prior to HCR77B0	Prefix for FMID HCR77B0 and later
Crypto Express3 coprocessor	G	3C
Crypto Express3 accelerator	H	3A
Crypto Express4 CCA coprocessor	SC	4C
Crypto Express4 EP11 coprocessor	SP	4P
Crypto Express4 accelerator	SA	4A

**Note:** All newer cryptographic adapters use the convention where *n* is the number in the adapter name. For regional cryptographic servers, *n* represents the generation number of the server:

**nA**

Crypto Express $n$  accelerators.

**nC**

Crypto Express $n$  CCA coprocessors.

**nP**

Crypto Express $n$  EP11 coprocessors.

**nR**

Regional cryptographic servers. Note: 2R requires ICSF FMID HCR77B1 with PTF OA49069 or later.

## New master keys automatically set when ICSF started

ICSF will automatically set new master key registers when ICSF is started if the current master key does not match the master key verification pattern (MKVP) in the key data set. When running with COMPAT(NO), the check of the new master key registers is made every time ICSF is started. When running with COMPAT(YES) or COMPAT(COEXIST), the check is only done when ICSF is started for the first time after an IPL.

The following conditions must be true:

- The new master key register must be full (final key part loaded).
- The MKVP of the new master key register must match the MKVP in the header of the CKDS or PKDS.

## Coprocessor activation

In releases of ICSF before FMID HCR7780, in order for a coprocessor to become active, a DES master key is needed to be set on the coprocessor for the coprocessor to become active. Support of any other master key on the coprocessor would then be available.

For FMIDs HCR7780, HCR7790, and HCR77A0, the activation procedure was designed to maximize the number of active coprocessors by selecting the set of master keys that are available on most of the coprocessors. A DES master key is no longer required in order for a coprocessor to become active. Instead, any one of four master keys, the DES master key, the AES master key, the RSA master key (which was called the asymmetric master key in earlier releases), or the ECC master key, is enough for a coprocessor to become active. However, because the goal is to select the combination of master keys that maximize the number of active coprocessors, if a certain master key is not set on all the same coprocessors then that master key support will not be available.

Starting with FMID HCR77A1, the activation procedure uses the master key verification patterns (MKVP) in the header record of the CKDS and PKDS to determine which coprocessors become active. If the MKVP of a master key is in the CKDS or PKDS, that master key must be loaded and the verification pattern of the current master key register must match the MKVP in the CKDS or PKDS. If all of the MKVPs in the CKDS

and PKDS match the current master key registers, the coprocessor becomes active. Otherwise, the status of the coprocessor is 'Master key incorrect'.

This applies to all master keys that the coprocessor supports. When there is a MKVP in the CKDS or PKDS and the coprocessor does not support that master key, it is ignored. When a MKVP is not in the CKDS or PKDS, the master key is ignored.

A migration health check is available to find any coprocessors that will not become active when starting ICSF FMID HCR77A1 or later. The ICSFMIG77A1\_COPROCESSOR\_ACTIVE migration check is available for ICSF FMID HCR7770, HR7780, HCR7790, and HCR77A0.

## DES master key

ICSF and the TKE workstation accept a 16-byte key value for the DES master key. The DES master key can be a 128-bit or 192-bit key on the zBC12, zEC12, and later systems with CEX3C or later coprocessor with the September 2012 or later licensed internal code. ICSF and the TKE workstation support loading both key value lengths.

To load a 24-byte DES master key, the **DES master key – 24-byte key** access control point must be enabled in the domain role in all CCA coprocessors for the domain where you wish to use a 24-byte DES master key. If the **DES master key – 24-byte key** access control point is not enabled consistently for all coprocessors for the domain, the DES new master key register cannot be loaded. The master key entry utility will fail. A TKE workstation is required to enable the access control point.

It is not possible to share a CKDS between systems with both 16-byte and 24-byte DES master keys. The master key verification pattern algorithm for the 24-byte DES master key is different from the algorithm for the 16-byte DES master key. The algorithms are described in [Appendix C, “Supporting Algorithms and Calculations,”](#) on page 493.

The CKDS reencrypt and change symmetric master key utilities support both length key values. The coordinated CKDS administration functions support both length key values.

## RSA master key

The procedure for loading and changing the RSA master key (RSA-MK) depends on your servers and cryptographic features. The PKA Callable Services control has the same hardware considerations.

If your system is an IBM z9 or IBM z10 server or an IBM z196 or z114 where all CEX3 coprocessors have licensed internal code older than September 2011:

- The PKA callable services control will be active. It will appear on the Administrative Control Functions panel.
- The RSA-MK will be set when the final key part is loaded on the Master Key Entry panel. The master key will be in the current master key register. The PKA callable services control must be disabled to load the RSA-MK
- The PKDS initialization and Update PKDS utilities will use the master key value in the current RSA master key register.
- The RSA-MK can be set using the TKE workstation.
- The coordinated PKDS change master key utility can be used if the RSA-MK is loaded using the TKE workstation. The RSA-MK should not be set using the TKE workstation. The change master key utility will set the master key.

If your system is an IBM z196 or z114 where there is a CEX3 coprocessor with September 2011 or newer licensed internal code or your system is an IBM zEC12, zBC12, or later server:

- The PKA callable services control will not be active. It will not appear on the Administrative Control Functions panel.
- The RSA-MK will not be set when the final key part is loaded on the Master Key Entry panel. The master key will be in the new master key register.

- The PKDS initialization and Update PKDS utilities will use the master key value in the new RSA master key register.
- The TKE workstation cannot be used to set the RSA-MK. Note that new versions of the TKE workstation can be used to set the master keys. This function should not be used as the value of the RSA-MK will not be in the new master key register where ICSF will look for it.
- The RSA-MK can be loaded on a coprocessor (either a new coprocessor or after the master keys are cleared) and set by using the Set MK utility on the Key Data Set Management panel.

## PKA Callable Services control

The PKA Callable Services control is used on all z9 and z10 systems and on z196 and z114 systems without a CEX3 coprocessor with the September 2011 or later licensed internal code installed. Newer systems do not use the PKA Callable Services control.

The PKA Callable Services control is used to control the availability of the RSA algorithm. When the control is enabled and the RSA master key is loaded and matches the MKVP in the PKDS, callable services that require the RSA master key will run. When the control is disabled, services that require the RSA master key will fail.

When you enter the RSA master key the first time, the PKA callable services control is initially disabled. Once you have entered the RSA master key and initialized the PKDS, the PKA callable services control will be enabled automatically. When you change the RSA master key, you need to disable the PKA callable services control. To enable and disable the PKA callable services control, see [“Steps for enabling and disabling PKA callable services and Dynamic CKDS/PKDS access controls”](#) on page 98.

## Steps for enabling and disabling PKA callable services and Dynamic CKDS/PKDS access controls

The dynamic KDS access controls are used to disable services that update key data sets. These controls allow the ICSF administrator to prevent the key data sets from being updated while using utilities that change the key data set. It is recommended that the CKDS and PKDS dynamic services be disabled during the local master key change. This is not necessary when using the coordinated change master key procedure.

When the dynamic CKDS access control is disabled, the callable services that update the DASD copy of the CKDS fails. The affected services are CSNBGIM, CSNBKPI, CSNBKPI2, CSNBKRC, CSNBKRC2, CSNBKRD, CSNBKRW, CSNBKRW2, and CSNBRKA.

When the dynamic PKDS access control is disabled, the callable services that update the DASD copy of the PKDS fails. The affected services are CSNDKRC, CSNDKRD, CSNDKRW, CSNDPKG, CSNDPKI, and CSNDRKD.

When you enter or change the RSA master key, you must first disable the PKA callable services control if it is active. This requirement applies only to the RSA master key. You do not need to disable PKA callable services control in order to enter or change the ECC master key.

**Note:** The PKA callable services control is only used on z9 and z10 systems and on z196 and z114 systems without a CEX3 coprocessor with the September 2011 or later licensed internal code installed. Newer systems do not use the PKA callable services control. When the control is not active, all steps that refer to the control can be ignored.

1. From the ICSF Primary Menu, select option 4, ADMINCNTL.

```

HCR77C0 ----- Integrated Cryptographic Service Facility -----
OPTION ==>
Enter the number of the desired option.

 1 COPROCESSOR MGMT - Management of Cryptographic Coprocessors
 2 KDS MANAGEMENT - Master key set or change, KDS processing
 3 OPSTAT           - Installation options
 4 ADMINCNTL       - Administrative Control Functions
 5 UTILITY          - ICSF Utilities
 6 PPINIT          - Pass Phrase Master Key/KDS Initialization
 7 TKE              - TKE PKA Direct Key Load
 8 KGUP            - Key Generator Utility processes
 9 UDX MGMT        - Management of User Defined Extensions

```

Figure 10. Selecting ADMINCNTL on the ICSF primary menu panel

2. The Administrative Control Functions panel appears.

```

CSFACF00 ----- ICSF Administrative Control Functions
COMMAND ==>
    Active CKDS: CSF.CKDS
    Active PKDS: CSF.PKDS
    Active TKDS: CSF.TKDS

To change the status of a control, enter the appropriate character
(E - ENABLE, D - DISABLE) and press ENTER.

      Function                               STATUS
      -----                               -
.   Dynamic CKDS Access                     ENABLED
.   PKA Callable Services                   ENABLED
.   Dynamic PKDS Access                     ENABLED

```

Figure 11. Selecting ADMINCNTL on the ICSF primary menu panel

Enter the appropriate character and press ENTER.

- To enable the dynamic CKDS update services control, enter an 'E' before the Dynamic CKDS Access function.
- To disable the dynamic CKDS update services control, enter a 'D' before the Dynamic CKDS Access function.
- To enable the dynamic PKDS update services control, enter an 'E' before the Dynamic PKDS Access function.
- To disable the dynamic PKDS update services control, enter a 'D' before the Dynamic PKDS Access function.
- To enable the PKA callable services control, enter an 'E' before the PKA Callable Services function.
- To disable the PKA callable services control, enter a 'D' before the PKA Callable Services function.

## Entering master key parts

You can use the Master Key Entry panels to enter clear master key parts. The way you obtain master key parts depends on the security guidelines in your enterprise. You may receive master key parts from a key distribution center or you may generate your own key parts using the ICSF random number utility.

**Important:** Regardless of the source of the master key parts or the method of key entry, **make sure the key parts are recorded and saved in a secure location.** When you are entering the key parts for the first time, be aware that **you may need to reenter these same key values at a later date** to restore master key values that have been cleared.

These procedures apply to all master keys supported on your system. The DES master key is used as an example. All of the master keys are optional. You should load the master keys required for your applications.

To enter master key parts that you do not generate using the random number utility, continue with [“Steps for entering the first master key part”](#) on page 105.

To begin master key entry by generating random numbers for the key parts, continue with [“Generating master key data for master key entry”](#) on page 100.

## Generating master key data for master key entry

If you intend to use the key entry panels to enter master keys, you need to generate and record these values when you begin:

- Key parts.
- Checksums.
- Verification patterns (optional).
- Hash patterns (optional).

**Note:** If you are reentering master keys when they have been cleared, use the same master key part values as when you originally entered the keys. You should have saved the key part values in a secure place when you entered the master keys previously.

The DES master key (DES-MK) is 16 or 24 bytes long. ICSF defines these master keys by exclusive ORing two or more key parts. Each of the master key parts is also 16 or 24 bytes long. To enter a DES-MK, you must enter a first key part and a final key part. If you choose to, you can also enter one or more intermediate key parts when entering the first key part and the final key part.

**Note:** The combined DES-MK master key is forced to have odd parity, but the parity of the individual key parts can be odd, even, or mixed. Even or mixed parity keys are referred to as non-odd parity keys.



**Attention:** The cryptographic coprocessors will not allow certain 'weak' keys as DES and RSA master keys. The list of weak keys are documented in [Appendix H, “Questionable \(Weak\) Keys,”](#) on page 521.

The AES master key (AES-MK) is 32 bytes long. ICSF defines these master keys by exclusive ORing two or more key parts.

The RSA master key (RSA-MK) is 24 bytes long. ICSF defines these master keys by exclusive ORing two or more key parts.

The ECC master key (ECC-MK) is 32-bytes long. ICSF defines these master keys by exclusive ORing two or more key parts.

If you are using ICSF to generate random numbers, generate a random number for each key part that you need to enter to create the master key.

A 16-byte key part consists of 32 hexadecimal digits. A 24-byte key part consists of 48 hexadecimal digits. To make this process easier, each part is broken into segments of 16 digits each. A 32-byte key part consists of 64 hexadecimal digits.

When you are manually entering the master key parts, you also enter a checksum that verifies whether you entered the key part correctly. A checksum is a two-digit result of putting a key part value through a series of calculations. The coprocessors calculate the checksum with the key part you enter and compare the one they calculated with the one you entered. The checksum verifies that you did not transpose any digits when entering the key part. If the checksums are equal, you have successfully entered the key.

When you enter a key part and its checksum for a DES-MK, the coprocessor calculates an eight-byte verification pattern and sixteen-byte hash pattern. When you enter a key part and its checksum for an AES-MK, the coprocessor calculates an eight-byte verification pattern. When you enter a key part and its checksum for the RSA-MK, the coprocessor calculates a sixteen-byte verification pattern. When you enter a key part and its checksum for an ECC-MK, the coprocessor calculates an eight-byte verification pattern.

The ICSF Master Key Entry panel displays the verification pattern. Check the displayed verification pattern against the option verification pattern you may have generated at the time you generated the AES, DES, ECC, or RSA master key parts. The verification pattern checks whether you entered the key part correctly and whether you entered the correct key type.

ICSF displays a verification and/or hash pattern for each master key part. It also displays a verification and/or hash pattern for the master key when you enter all the key parts. If the verification and hash patterns are the same, you have entered the key parts correctly.

To generate the value for a key part, you can use one of these methods:

- Choose a random number yourself.
- Access the ICSF utility panels to generate a random number.
- Call the random number generate callable service. For more information, see [z/OS Cryptographic Services ICSF Application Programmer's Guide](#).

## Steps for generating key parts using ICSF utilities

1. From the ICSF Primary Menu, select option 5, UTILITY.

```
HCR77D0 ----- Integrated Cryptographic Service Facility -----
OPTION ==>

Enter the number of the desired option.

  1 COPROCESSOR MGMT - Management of Cryptographic Coprocessors
  2 KDS MANAGEMENT  - Master key set or change, KDS processing
  3 OPSTAT           - Installation options
  4 ADMINCNTL       - Administrative Control Functions
  5 UTILITY         - ICSF Utilities
  6 PPINIT          - Pass Phrase Master Key/KDS Initialization
  7 TKE             - TKE PKA Direct Key Load
  8 KGUP            - Key Generator Utility processes
  9 UDX MGMT        - Management of User Defined Extensions
```

*Figure 12. Selecting UTILITY on the ICSF primary menu panel*

2. The Utilities panel appears. You use the RANDOM and CHECKSUM options to generate random numbers, checksums, and verification patterns for master key management. Select option 3, RANDOM, to access the Random Number Generator panel.

```
CSFUTL00 ----- ICSF - Utilities -----
OPTION ==>

Enter the number of the desired option.
  1 ENCODE          - Encode data
  2 DECODE          - Decode data
  3 RANDOM          - Generate a random number
  4 CHECKSUM        - Generate a checksum and verification patterns
  5 CKDSKEYS        - Manage keys in the CKDS
  6 PKDSKEYS        - Manage keys in the PKDS
  7 PKCS11 TOKEN    - Manage PKCS11 tokens in the TKDS

Press ENTER to go to the selected option.
Press END to exit to the previous menu.
```

*Figure 13. Selecting RANDOM on the ICSF Utilities panel*

3. The Random Number Generator panel appears. To select the parity of the random numbers, enter ODD, EVEN, or RANDOM next to Parity Option and press ENTER.

```

CSFRNG00 ----- ICSF - Random Number Generator -----
COMMAND ==>

Enter data below:

Parity Option ==>
Random Number1 : 0000000000000000 ODD, EVEN, RANDOM
Random Number2 : 0000000000000000 Random Number 1
Random Number3 : 0000000000000000 Random Number 2
Random Number4 : 0000000000000000 Random Number 3
Random Number4 : 0000000000000000 Random Number 4

```

Figure 14. Selecting Parity on the Random Number Generator panel

The DES master key is forced to have odd parity, regardless of the parity option you select for each key part. Parity is not checked for AES, ECC, or RSA master keys.

A random 16-digit number appears in each of the Random Number fields. You can use each of these random numbers for a segment of a key part.

The DES master key uses random numbers 1 and 2 or 1 through 3 if you are using a 24-byte master key. The RSA master key uses random numbers 1 through 3. The AES and ECC master keys use random numbers 1 through 4.

```

CSFRNG00 ----- ICSF - Random Number Generator -----
COMMAND ==>

Enter data below:

Parity Option ==> RANDOM
Random Number1 : 51ED9CFA90716CFB ODD, EVEN, RANDOM
Random Number2 : 58403BFA02BD13E8 Random Number 1
Random Number3 : 9B28AEFA8C47760F Random Number 2
Random Number4 : 8453313235ABF69C Random Number 3
Random Number4 : 8453313235ABF69C Random Number 4

```

Figure 15. ICSF Random Number Generator Panel with Generated Numbers

- When you end the utility panels and access the Master Key Part Entry panel, the key parts you generated are transferred automatically to the Master Key Part Entry panels. For this reason, you will not need to enter the key parts on the Master Key Part Entry panels.

Although the key parts are automatically transferred to the Master Key Entry panels, make sure you **record the random numbers and store them in a safe place**. You must have these numbers in case you ever need to reenter the master key values. If you ever need to restore a master key that has been cleared for any reason, you will need the key part values.

- Press END to return to the Utilities panel.
- Continue with [“Steps for generating a checksum, verification pattern, or hash pattern for a key part” on page 102.](#)

## Steps for generating a checksum, verification pattern, or hash pattern for a key part

You can use the Utilities panel to generate a checksum and either an optional verification pattern or an optional hash pattern for a key part. You can use this panel to generate a checksum for a key part even if ICSF has not been initialized.

**Note:** The use of the Utilities panel to generate the key part, the checksum, and the verification pattern exposes the key part in storage for the duration of the dialogs. For this reason, you can choose to calculate both the checksum, the verification pattern, or the hash pattern values manually or by using a PC program. See [“Checksum Algorithm” on page 493](#) for a description of the checksum algorithm. See [“Algorithm for calculating a verification pattern” on page 495](#) for a description of the algorithm for the verification pattern. See [“The MDC-4 Algorithm for Generating Hash Patterns” on page 496](#) for a



description of the MDC-4 algorithm that is used to calculate a hash pattern for a key part. The use of the verification pattern or hash pattern is optional.

Follow these steps to generate the checksum and the optional verification pattern or hash pattern for a key part.

1. Select option 4, CHECKSUM, on the ICSF Utilities panel as shown in [Figure 16 on page 103](#).

```
CSFUTL00 ----- ICSF - Utilities -----
OPTION ==> 4

Enter the number of the desired option.
1 ENCODE          - Encode data
2 DECODE          - Decode data
3 RANDOM          - Generate a random number
4 CHECKSUM        - Generate a checksum and verification patterns
5 CKDSKEYS        - Manage keys in the CKDS
6 PKDSKEYS        - Manage keys in the PKDS
7 PKCS11 TOKEN    - Manage PKCS11 tokens in the TKDS

Press ENTER to go to the selected option.
Press END to exit to the previous menu.
```

*Figure 16. Selecting the Checksum Option on the ICSF Utilities Panel*

The Checksum and Verification and Hash Pattern panel appears. See [Figure 17 on page 103](#).

```
CSFMKV00 ----- ICSF - Checksum and Verification and Hash Pattern -----
COMMAND ==>

Enter data below:

Key Type          ==>                               (Selection panel displayed if blank)
Key Value         ==> 51ED9CFA90716CFB   Input key value 1
                  ==> 58403BFA02BD13E8   Input key value 2
                  ==> 9B28AEFA8C47760F   Input key value 3 (AES & ECC & RSA Keys)
                  ==> 8453313235ABF69C   Input key value 4 (AES & ECC Keys only)

Checksum          : 00                               Check digit for key value
Key Part VP       : 0000000000000000               Verification Pattern
Key Part HP       : 0000000000000000               Hash Pattern
                  : 0000000000000000
```

*Figure 17. ICSF Checksum and Verification and Hash Pattern Panel*

If you accessed the Random Number Generator panel prior to this panel, the random numbers that are generated appear automatically in the Key Value fields.

2. If you did not use the Random Number Generator panel to generate random numbers, enter the numbers for which you want to create checksum, verification pattern, or hash patterns into the key value fields. Because these will be the key part values you will specify in the Master Key Entry panels, make sure you record the numbers.
3. In the Key Type field, specify either:
  - DES-MK to generate a checksum, hash, and verification pattern for a 16-byte DES master key part.
  - DES24-MK to generate a checksum, hash, and verification pattern for a 24-byte DES master key part.
  - AES-MK to generate a checksum and verification pattern for an AES master key part.
  - RSA-MK to generate a checksum and verification pattern for an RSA master key part.
  - ECC-MK to generate a checksum and verification pattern for an ECC master key part.

If you leave the Key Type field blank and press ENTER, the Key Type Selection panel appears. See [Figure 18 on page 104](#).

```

CSFMKV10 ----- ICSF - Key Type Selection Panel ---- ROW 1 to 9 OF 9
COMMAND ==>                                     SCROLL ==> PAGE

Select one key type only
KEY TYPE      DESCRIPTION
AES-MK        AES Master Key
ASYM-MK       Asymmetric Master key
DES-MK        DES Master key (16-byte)
DES24-MK      DES Master key (24-byte)
ECC-MK        ECC Master key
EXPORTER      Export key encrypting key
IMP-PKA       Limited Authority Importer key
IMPORTER      Import key encrypting key
IPINENC       Input PIN encrypting key
OPINENC       Output PIN encrypting key
PINGEN        PIN generation key
PINVER        PIN verification key
RSA-MK        RSA Master key
*****
***** BOTTOM OF DATA *****

```

*Figure 18. Key Type Selection Panel Displayed During Hardware Key Entry*

4. Type 'S' to the left of the DES-MK key type, and press ENTER to return to the Checksum and Verification Pattern panel as shown in [Figure 19 on page 104](#).

In this example, we have selected the DES-MK master key.

```

CSFMKV00 ----- ICSF - Checksum and Verification and Hash Pattern ---
COMMAND ==>

Enter data below:

Key Type      ==> DES-MK                (Selection panel displayed if blank)

Key Value     ==> 51ED9CFA90716CFB      Input key value 1
              ==> 58403BFA02BD13E8      Input key value 2
              ==> 0000000000000000      Input key value 3 (AES & ECC & RSA Keys)
              ==> 0000000000000000      Input key value 4 (AES & ECC Keys only)

Checksum      : 40                      Check digit for key part
Key Part VP   : 0CCE190A635A6C89      Verification Pattern
Key Part HP   : EA58E51179754FB7      Hash Pattern
              : C102957465CE479E

```

*Figure 19. ICSF Checksum and Verification Pattern Panel*

5. Record the checksum, verification pattern, and hash pattern.

Save these values in a secure place along with the key part values in case you need to reenter the key values. If the cryptographic feature detects tampering, it clears the master key, and you have to reenter the same master key again.

6. Press END to return to the Utilities panel.
7. Press END again to return to the ICSF Primary menu.

Continue with the appropriate topic for steps to enter the master key part you have just generated.

- If you have generated the first master key part, continue with [“Steps for entering the first master key part” on page 105](#).
- If you have generated an intermediate master key part, continue with [“Steps for entering intermediate key parts” on page 107](#).
- If you have generated a final master key part, continue with [“Steps for entering the final key part” on page 109](#).

## Steps for entering the first master key part

Use the Master Key Entry panels to enter each key part. You can enter as many key parts as you like. When the new master key register is empty, the first key part must be identified as FIRST. Subsequent intermediate key parts must be identified as MIDDLE. To close the new master key register to prevent additional key parts from being loaded, the final key part must be identified as FINAL.

**Important:** When entering the key part values, be aware that **you may need to reenter these same key values at a later date** to restore master key values that have been cleared. Make sure the key part values are recorded and saved in a secure location.

If you use the random number generator utility to generate key parts, enter each key part directly after you generate the key part data and prior to generating another key part.

To enter master key parts:

1. Select option 1, COPROCESSOR MGMT, on the [“ICSF Primary Menu panel”](#) on page 481, and press ENTER.

The ICSF Coprocessor Management panel appears ([Figure 20 on page 105](#)).

2. Select the coprocessor or coprocessors to be processed by entering an 'E' and then pressing ENTER. Select as many coprocessors as required. This loads the same master key for all coprocessors selected.

**Note:** During first time initialization, the coprocessor status will be 'Active'. When master keys have been set, the master key state will be 'A'.

```

CSFCMP00 ----- ICSF Coprocessor Management ----- Row 1 to 2 of 2
COMMAND ==>>

Select the cryptographic features to be processed and press ENTER.
Action characters are: A, D, E, K, R, S, and V. See the help panel for details
CRYPTO   SERIAL
FEATURE NUMBER      STATUS                AES  DES  ECC  RSA  P11
-----
. 5C00   16BA6173      Active                I   A   A   A
. 5A01   N/A              Active
. 4C02   16BA6175      Master key incorrect  I   A   C   E
. 4A03   N/A              Active
***** Bottom of data *****
COMMAND ==>>                                SCROLL ==>> PAGE

```

*Figure 20. Selecting the coprocessor on the Coprocessor Management Panel*

The coprocessor management panels shows all accelerators and coprocessors, their status, and the state of the master keys for coprocessors. Accelerators do not have master keys and the states are blank. When a coprocessor does not support a master key, a hyphen (-) is used for its state. The master key state for coprocessors shows U (uninitialized), C (correct), A (active), E (error), and I (ignored).

Coprocessor activation uses the master key verification patterns (MKVP) in the header record of the CKDS and PKDS to determine which master keys become active. If the MKVP of a master key is in the CKDS or PKDS, that master key must be loaded and the verification pattern of the current master key register must match the MKVP in the CKDS or PKDS. If all of the MKVPs in the CKDS and PKDS match the current master key registers, the master keys will become active.

This applies to all master keys that the coprocessor supports. When there is a MKVP in the CKDS or PKDS and the coprocessor does not support that master key, it is ignored. When a MKVP is not in the CKDS or PKDS, the master key is ignored.

3. The ICSF Master Key Entry panel appears. See [Figure 21 on page 106](#).

```

CSFDKE50----- ICSF - Master Key Entry -----
COMMAND ==>

      AES new master key register      : EMPTY
      DES new master key register      : EMPTY
      ECC new master key register      : EMPTY
      RSA new master key register      : EMPTY

Specify information below
Key Type ==> ___ (AES-MK, DES-MK, ECC-MK, RSA-MK)

Part ==> _____ (RESET, FIRST, MIDDLE, FINAL)

Checksum ==> 40

Key Value ==> 51ED9CFA90716CFB
            ==> 58403BFA02BD13E8
            ==> 0000000000000000 (AES-MK, ECC-MK and RSA-MK only)
            ==> 0000000000000000 (AES-MK, ECC-MK only)

Press ENTER to process.
Press END to exit to the previous menu.

```

Figure 21. Master Key Entry Panel

4. Fill in the panel

- a. Enter the master key type in the Key Type field.  
     In this example we are entering the DES-MK master key.
- b. Enter FIRST in the Part field.
- c. Enter the two-digit checksum and the two 16-digit key values if you did not use the random number panel.
- d. Make sure you have recorded the two 16-digit key values. You may need to reenter these same values at a later date to restore master key values that have been cleared. **Make sure all master key parts you enter are recorded and saved in a secure location.**
- e. When all the fields are complete, press ENTER.

If the checksum entered in the checksum field matches the checksum that the master key entry utility calculated, the key part is accepted. The message at the top of the panel states KEY PART LOADED, as shown in [Figure 22 on page 107](#). The new master key register status changes to PART FULL. The verification pattern and hash pattern that are calculated for the key part appear near the bottom of the panel. Compare them with the patterns generated by the random number generator or provided by the person who gave you the key part value to enter.

- f. Record the verification pattern and hash pattern.

```

CSFDKE60 ----- ICSF - Master Key Entry --- KEY PART LOADED
COMMAND ==>

      AES new master key register      : EMPTY
      DES new master key register      : PART FULL
      ECC new master key register      : EMPTY
      RSA new master key register      : EMPTY

Specify information below
Key Type ==> DES-MK      (AES-MK, DES-MK, ECC-MK, RSA-MK)

Part      ==> FIRST      (RESET, FIRST, MIDDLE, FINAL)

Checksum  ==> 00

Key Value ==> 0000000000000000
           ==> 0000000000000000
           ==> 0000000000000000      (AES-MK, ECC-MK, and RSA-MK only)
           ==> 0000000000000000      (AES-MK, ECC-MK only)

Entered key part VP: 0CCE190A63546489  HP: 9C92A343479D33F2 66229FCD55B49C26

                (Record and secure these patterns)

Press ENTER to process.
Press END   to exit to the previous menu.

```

Figure 22. The Master Key Entry Panel Following Key Part Entry

5. If the checksums do not match, the message `Invalid Checksum` appears. If this occurs, follow this sequence to resolve the problem:
  - a. Reenter the checksum.
  - b. If you still get a checksum error, recalculate the checksum.
  - c. If your calculations result in a different value for the checksum, enter the new value.
  - d. If your calculations result in the same value for the checksum, or if a new checksum value does not resolve the error, reenter the key part halves and checksum.

When you have entered the first key part successfully, continue with:

- [“Steps for generating key parts using ICSF utilities” on page 101](#) if you are using the ICSF utilities to generate random numbers for key values.
- [“Steps for entering intermediate key parts” on page 107](#) if you are entering key parts manually.

## Steps for entering intermediate key parts

If you want to enter more than two key parts, you must enter one or more intermediate key parts. Enter intermediate key parts after you enter the first key part and prior to entering the final one.

To enter intermediate master key parts:

1. Select option 1, `COPROCESSOR MGMT`, on the ICSF Primary menu and press `ENTER`.  
The Coprocessor Management panel appears.
2. Select the coprocessor or coprocessors to be processed by entering an 'E' on the Coprocessor Management panel. Select the same coprocessors that were selected when entering the first key value.
3. When pressing `ENTER`, the Master Key Entry panel appears ([Figure 23 on page 108](#)).

```

CSFDKE50 ----- ICSF - Master Key Entry -----
COMMAND ==>

      AES new master key register      : EMPTY
      DES new master key register      : PART FULL
      ECC new master key register      : EMPTY
      RSA new master key register      : EMPTY

Specify information below
Key Type ==> DES-MK          (AES-MK, DES-MK, ECC-MK, RSA-MK)

Part      ==> MIDDLE        (RESET, FIRST, MIDDLE, FINAL)

Checksum  ==> 58

Key Value ==> 12021945CADE8431
          ==> 04091939BABE9632
          ==> 0000000000000000 (AES-MK, ECC-MK and RSA-MK only)
          ==> 0000000000000000 (AES-MK, ECC-MK only)

Press ENTER to process.
Press END   to exit to the previous menu.

```

Figure 23. The Master Key Entry Panel for Intermediate Key Values

#### 4. Fill in the panel

- a. Enter the master key type in the Key Type field. In this example we are continuing to enter the DES master key.
- b. Enter MIDDLE in the Part field.
- c. Enter the two-digit checksum and the two 16-digit key values if you did not use random number panel.
- d. Make sure you have recorded the two 16-digit key values. You may need to reenter these same values at a later date to restore master key values that have been cleared. **Make sure all master key parts you enter are recorded and saved in a secure location.**
- e. When all the fields are complete, press ENTER.

If the checksum entered in the checksum field matches the checksum that the master key entry utility calculated, the key part is accepted. The message at the top of the panel states KEY PART LOADED, as shown in Figure 24 on page 109. The new master key register status changes to PART FULL. The verification pattern and hash pattern that are calculated for the key part appear near the bottom of the panel. Compare them with the patterns generated by the random number generator or provided by the person who gave you the key part value to enter.

- f. Record the verification pattern and hash pattern.

```

CSFDKE50 ----- ICSF - Master Key Entry -----KEY PART LOADED-
COMMAND ==>

      AES new master key register      : EMPTY
      DES new master key register      : PART FULL
      ECC new master key register      : EMPTY
      RSA new master key register      : EMPTY

Specify information below
Key Type ==> ___      (AES-MK, DES-MK, ECC-MK, RSA-MK)
Part     ==> _____ (RESET, FIRST, MIDDLE, FINAL)
Checksum ==> 00
Key Value ==> 0000000000000000
          ==> 0000000000000000
          ==> 0000000000000000 (AES-MK, ECC-MK and RSA-MK only)
          ==> 0000000000000000 (AES-MK, ECC-MK only)

Press ENTER to process.
Press END   to exit to the previous menu.

```

*Figure 24. The Master Key Entry Panel with Intermediate Key Values*

5. If the checksums do not match, the message `Invalid Checksum` appears. If this occurs, follow this sequence to resolve the problem:
  - a. Reenter the checksum.
  - b. If you still get a checksum error, recalculate the checksum.
  - c. If your calculations result in a different value for the checksum, enter the new value.
  - d. If your calculations result in the same value for the checksum or if a new checksum value does not resolve the error, reenter the key part halves and checksum.

When you have entered the middle key part successfully, continue with:

- [“Steps for generating key parts using ICSF utilities” on page 101](#) if you are using the ICSF utilities to generate random numbers for key values.
- [“Steps for entering the final key part” on page 109](#) if you are entering key parts manually.

## Steps for entering the final key part

After you enter the first key part and any intermediate key parts, you then enter the final master key part.

1. Select option 1, `COPROCESSOR MGMT`, on the ICSF Primary menu and press `ENTER`.  
The Coprocessor Management panel appears.
2. Select the coprocessor or coprocessors to be processed by entering an 'E' on the Coprocessor Management panel.
3. When pressing `ENTER`, the Master Key Entry panel appears.

```

CSFDKE50 ----- ICSF - Master Key Entry -----
COMMAND ==>

      AES new master key register      : EMPTY
      DES new master key register      : PART FULL
      ECC new master key register      : EMPTY
      RSA new master key register      : EMPTY

Specify information below
Key Type ==> ___      (AES-MK, DES-MK, ECC-MK, RSA-MK)
Part     ==> _____ (RESET, FIRST, MIDDLE, FINAL)
Checksum ==> 65
Key Value ==> 1939040919720419
          ==> EA10111975BB5312
          ==> 0000000000000000 (AES-MK, ECC-MK and RSA-MK only)
          ==> 0000000000000000 (AES-MK, ECC-MK only)

Press END      Press ENTER to process.
               to exit to the previous menu.

```

Figure 25. The Master Key Entry Panel when entering Final Key Values

4. Fill in the panel

- a. Enter the master key type in the Key Type field.

In this example, we are continuing to enter the DES master key.

- b. Enter FINAL in the Part field.

- c. Enter the two-digit checksum and the two 16-digit key values if you did not use random number panel.

- d. Make sure you have recorded the two 16-digit key values. You may need to reenter these same values at a later date to restore master key values that have been cleared. **Make sure all master key parts you enter are recorded and saved in a secure location.**

- e. When all the fields are complete, press ENTER.

If the checksum entered in the checksum field matches the checksum that the master key entry utility calculated, the key part is accepted. The message at the top of the panel states KEY PART LOADED, as shown in [Figure 26 on page 111](#). The new master key register status changes to FULL. The verification pattern and hash pattern that are calculated for the key part appear near the bottom of the panel. Compare them with the patterns generated by the random number generator or provided by the person who gave you the key part value to enter.

- f. Record the verification pattern and hash pattern.



```

CSFDKE60 ----- ICSF - Master Key Entry -----KEY PART LOADED
COMMAND ==>

      AES new master key register      : EMPTY
      DES new master key register      : FULL
      ECC new master key register      : EMPTY
      RSA new master key register      : EMPTY

Specify information below
Key Type ==> DES-MK          (AES-MK, DES-MK, ECC-MK, RSA-MK)

Part    ==> FINAL          (RESET, FIRST, MIDDLE, FINAL)

Checksum ==> 00

Key Value ==> 0000000000000000
          ==> 0000000000000000
          ==> 0000000000000000 (AES-MK, ECC-MK and RSA-MK only)
          ==> 0000000000000000 (AES-MK, ECC-MK only)

Entered key part VP: 8D8A000BE067EBF7 HP: 9D92F343479D77F2 229FD4CDB49C2679
Master Key      VP: 8F887096A8D4922C HP: 4C887096A8D4922B 33387096A8D4922B
                (Record and secure these patterns)

Press ENTER to process.
Press END   to exit to the previous menu.

```

Figure 26. The Master Key Entry Panel with Final Key Values

5. If the checksums do not match, the message Invalid Checksum appears. If this occurs, follow this sequence to resolve the problem:
  - a. Reenter the checksum.
  - b. If you still get a checksum error, recalculate the checksum.
  - c. If your calculations result in a different value for the checksum, enter the new value.
  - d. If your calculations result in the same value for the checksum or if a new checksum value does not resolve the error, reenter the key part halves and checksum.
6. When you have entered the final key part successfully, it is combined with the first key part and any intermediate key parts in the new master key register.

The new master key register status is now FULL, and the panel displays two verification patterns and two hash patterns. It gives you verification patterns and hash patterns for both the final key part and the new master key because it is now complete.

7. Check that the key part verification pattern or hash pattern you may have previously calculated matches the verification pattern or hash pattern that is shown on the panel. If they do not, you may want to restart the key entry process. For information on how to restart the key entry process, see [“Steps for restarting the key entry process” on page 112](#).
8. *Record the verification pattern and hash pattern* for the new master key because you may want to verify it at another time.

**Note:** When you initialize or reencipher a CKDS or PKDS, ICSF places the verification pattern for the master keys into the key data set header record.

When you have entered the master keys correctly, they are in the new master key registers and are not active on the system.

**Note:** Ensure that the new master key is installed on all cryptographic coprocessors.

When you enter the master keys, you should do *one* of these:

- If you are defining the DES or AES master keys for the first time, initialize the CKDS with the DES and AES master keys. For a description of the process of initializing a CKDS on your system, see [“Initializing the key data sets at first-time startup” on page 115](#).

- If you are defining the ECC or RSA master keys for the first time, initialize the PKDS with the master keys. For a description of the process of initializing a PKDS on your system, see [“Initializing the key data sets at first-time startup”](#) on page 115.
- If you are defining an AES, DES, ECC, or RSA master key when it was cleared, set the master keys to make them active. For a description of the process of recovering from tampering, see [“Reentering master keys when they have been cleared”](#) on page 113.
- If you are defining the DES or AES master keys to add to an existing CKDS, update the CKDS with the new master key. For a description of the process of updating a CKDS on your system, see [“Updating the key data sets with additional master keys”](#) on page 118 for additional information.
- If you are defining the ECC or RSA master keys to add to an existing PKDS, update the PKDS with the new master key. For a description of the process of updating a PKDS on your system, see [“Updating the key data sets with additional master keys”](#) on page 118 for additional information.
- If you are changing a DES or AES master key, reencrypt the CKDS under the new DES or AES master key and make it active. For a description of the process of changing a DES or AES master key, see [“Changing the master keys”](#) on page 126.
- If you are changing an ECC or RSA master keys, reencrypt the PKDS under the new ECC or RSA master key and make it active. For a description of the process of changing a ECC or RSA master key, see [“Changing the master keys”](#) on page 126.

## Steps for restarting the key entry process

If you realize that you made an error when entering a key part, you can restart the process of entering the new master key. For example, if the verification pattern or the hash pattern that was calculated does not match the one that you calculated, you may want to restart the process. Restarting the key entry process clears the new master key register, which erases all the new master key parts you entered previously.

To restart the key entry process, follow these steps:

1. On the Master Key Entry panel, enter the master key type in the Key Type field.

In this example, we are resetting a new DES master key.

2. Enter RESET in the Part field.

```

CSFDKE50 ----- ICSF - Master Key Entry -----
COMMAND ==>

          AES new master key register      : EMPTY
          DES new master key register      : PART FULL
          ECC new master key register      : EMPTY
          RSA new master key register      : EMPTY

Specify information below
Key Type ==> DES-MK          (AES-MK, DES-MK, ECC-MK, RSA-MK)

Part      ==> RESET_        (RESET, FIRST, MIDDLE, FINAL)

Checksum  ==> 40

Key Value ==> 51ED9CFA90716CFB
          ==> 58403BFA02BD13E8
          ==> 0000000000000000 (AES-MK, ECC-MK and RSA-MK only)
          ==> 0000000000000000 (AES-MK, ECC-MK only)

Press ENTER to process.
Press END   to exit to the previous menu.

```

Figure 27. Selecting Reset on the Master Key Entry Panel

3. Press ENTER.

The Restart Key Entry Process panel appears. See [Figure 28 on page 113](#). This panel confirms your request to restart the key entry process.

```
CSFDKE80 ----- ICSF - Restart Key Entry Process -----
COMMAND ==>

ARE YOU SURE YOU WISH TO RESTART THE KEY ENTRY PROCESS?

Restarting the process will clear the DES-MK master key register.

Press ENTER to confirm restart request
Press END to cancel restart request
```

*Figure 28. Confirm Restart Request Panel*

4. If you want to restart the key entry process, press ENTER.

The restart request automatically empties the master key register.

5. If you do not want to restart, press END.

When you make a choice, you return to the Master Key Entry panel. If you selected to continue with the restart process, the new master key register status field is reset to EMPTY, as shown in [Figure 29 on page 113](#). This indicates that the register has been cleared.

```
CSFDKE50 ----- ICSF - Master Key Entry -----
COMMAND ==>

AES new master key register      : EMPTY
DES new master key register      : EMPTY
ECC new master key register      : EMPTY
RSA new master key register      : EMPTY

Specify information below
Key Type ==> ----- (AES-MK, DES-MK, ECC-MK, RSA-MK)

Part ==> ----- (RESET, FIRST, MIDDLE, FINAL)

Checksum ==> 00

Key Value ==> 0000000000000000
             ==> 0000000000000000
             ==> 0000000000000000 (AES-MK, ECC-MK and RSA-MK only)
             ==> 0000000000000000 (AES-MK, ECC-MK only)
```

*Figure 29. The Master Key Entry Panel Following Reset Request*

6. Either begin the key entry process again or press END to return to the ICSF primary menu panel.

## Reentering master keys when they have been cleared

In these situations, the cryptographic feature clears the master key registers so that the master key values are not disclosed.

- If the cryptographic feature detects tampering (the intrusion latch is tripped), ALL installation data is cleared: master keys, retained keys for all domains, as well as roles and profiles.
- If the cryptographic feature detects tampering (the secure boundary of the card is compromised), the card is rendered inoperable.

- If you issue a command from the TKE workstation to zeroize a domain. This command zeroizes the master key data specific to the domain.
- If you issue a command from the Support Element panels to zeroize all domains. This command zeroizes ALL installation data: master keys, retained keys, and access control roles and profiles.

Although the values of the master keys are cleared, the secure keys in the CKDS and PKDS are still enciphered under the cleared master keys. Therefore, to recover the keys in the CKDS and PKDS, you must reenter the same master keys and set the master key. For security reasons, you may then want to change all the master keys.

## PR/SM considerations

You must first ensure that key entry is enabled for each LP on the Change LPAR Cryptographic Controls panel of the SE. You must then reenter the master keys in each LPAR. If you zeroize a domain using the TKE workstation however, the master keys are cleared only in that domain. Master keys in other domains are not affected and do not need to be reentered. For more information about reentering master keys in LPAR mode, see [Appendix D, “PR/SM Considerations during Key Entry,” on page 499](#).

**Note:** If you used the Pass Phrase Initialization (PPINIT) utility to initialize your system, use the utility to reload the master keys. See [“Steps for reinitializing a system” on page 91](#) for additional information.

When the cryptographic feature clears the master keys, reenter the same master keys by using these steps:

1. Check the status of the PKA callable services control if applicable. If it is enabled, use the Administrative Control Functions to disable it. See [“Steps for enabling and disabling PKA callable services and Dynamic CKDS/PKDS access controls” on page 98](#) for details.
2. Retrieve the key parts, checksums, verification patterns, and hash patterns you used when you entered the master keys originally. These values should be stored in a secure place as specified in your enterprises security process.
3. Access the Master Key Entry panels and enter the master keys as described in [“Steps for entering the first master key part” on page 105](#).
4. After you have entered the master keys, select option 2, KDS MANAGEMENT, from the primary menu. The Key Data Set Management panel appears. See [Figure 30 on page 114](#).

To activate the master keys you just entered, you need to set them.

5. To set any master key, choose option 4 on the panel and press ENTER.

```
CSFMKM10 ----- ICSF - Key Data Set Management -----
OPTION ==> 4

Enter the number of the desired option.

  1 CKDS MK MANAGEMENT - Perform Cryptographic Key Data Set (CKDS)
                           master key management functions
  2 PKDS MK MANAGEMENT- Perform Public Key Data Set (PKDS)
                           master key management functions
  3 TKDS MK MANAGEMENT- Perform PKCS #11 Token Data Set (TKDS)
                           master key management functions
  4 SET MK                - Set master keys

Press ENTER to go to the selected option.
Press END to exit to the previous menu.

OPTION ==>
```

*Figure 30. Selecting the Set Host Master Key Option on the Key Data Set Management panel*

When you select option 4, ICSF checks all coprocessors. If the value in any new master key register matches the active CKDS and PKDS, ICSF will transfer the master key from the new master key

register to the current master key register. This process sets the master keys that matches the active CKDS and PKDS.

When ICSF attempts to set the master keys, it displays a message on the top right of the Key Data Set Management panel. The message indicates either that the master key was successfully set or that an error prevented the completion of the set process.

When you set the reentered master keys, the master keys that encipher the active CKDS and PKDS now exist. There is no need to refresh the CKDS or PKDS.

6. You can now change the master keys, if you choose to, for security reasons. Continue with [“Changing the master keys”](#) on page 126.

## Initializing the key data sets at first-time startup

---

If running in a sysplex, see Chapter 12, [“Running in a Sysplex Environment,”](#) on page 155.

A CKDS or PKDS is not required to use ICSF, but you can have a CKDS, a PKDS, or both. By defining and initializing a CKDS and PKDS, secure CCA symmetric and asymmetric key functions are available, and ICSF can be used to manage CCA key tokens that are stored in the CKDS and PKDS.

When you are using a CKDS, you must:

- Create a cryptographic key data set (CKDS).
- Enter a new DES-MK into all coprocessors (optional).
- Enter a new AES-MK into all coprocessors (optional).
- Initialize the CKDS.

When you are using a PKDS, you must:

- Create a public key data set (PKDS).
- Enter a new RSA-MK into all coprocessors (optional).
- Enter a new ECC-MK into all coprocessors (optional).
- Initialize the PKDS.

When you initialize the CKDS, ICSF creates a header record for the CKDS and sets any DES or AES master keys in the new master key registers. When you initialize the PKDS, ICSF creates a header record for the PKDS and sets any ECC or RSA master keys in the new master key registers.

**Important:** The master keys are loaded into the new master key register. The utilities that are described in this section require the master keys to be in the new master key register and not set. Newer versions of the TKE workstation allow the master keys to be set from the TKE workstation. This option must not be used for a coprocessor or domain that is visible to ICSF. These utilities fail if the master key is not in the new master key register.

## CKDS

A CKDS is not required in order to use ICSF. However, by defining and initializing a CKDS, secure CCA symmetric key functions are available, and ICSF can be used to manage CCA symmetric key tokens in the CKDS. When you initialize a CKDS, you can copy the disk copy of the CKDS to create other CKDSs for use on the system. You can also use a CKDS on another ICSF system if the system has the same master key value.

**Note:** Use of a CKDS on another system depends both upon where the CKDS was initialized and the cryptographic hardware type of the other system. At any time, you can read a different disk copy into storage. For information about how to read a disk copy into storage on a single system, see [“Refreshing the key data sets”](#) on page 120.

For a description of how to use the Master Key Entry panels to enter the master key, see [“Steps for entering the first master key part”](#) on page 105. For a description of how to use the TKE workstation to enter the master key, see [z/OS Cryptographic Services ICSF TKE Workstation User's Guide](#).

## Steps for initializing a CKDS

For information about initializing a CKDS in a sysplex environment, see [Chapter 12, “Running in a Sysplex Environment,”](#) on page 155.

There are three formats of the CKDS. You can use the following steps to initialize any format of CKDS.

- A fixed length record format supported by all releases of ICSF.
- A variable length record format supported by ICSF FMID HCR7780 and later releases.
- A common variable length record format supported by ICSF FMID HCR77A1 and later releases. This format is referred to as KDSR format.

To initialize the CKDS:

1. From the ICSF Primary Menu, select option 2, KDS MANAGEMENT.

```
HCR77C0 ----- Integrated Cryptographic Service Facility -----
OPTION ==>

Enter the number of the desired option.

 1 COPROCESSOR MGMT - Management of Cryptographic Coprocessors
 2 KDS MANAGEMENT - Master key set or change, KDS processing
 3 OPSTAT           - Installation options
 4 ADMINCNTL       - Administrative Control Functions
 5 UTILITY          - ICSF Utilities
 6 PPINIT          - Pass Phrase Master Key/KDS Initialization
 7 TKE             - TKE PKA Direct Key Load
 8 KGUP           - Key Generator Utility processes
 9 UDX MGMT        - Management of User Defined Extensions
```

*Figure 31. Selecting KDS Management on the ICSF primary menu panel*

2. The Key Data Set Management panel appears. Select option 1, CKDS MK MANAGEMENT.

```
CSFMKM10 ----- ICSF - Key Data Set Management -----
OPTION ==>

Enter the number of the desired option.

 1 CKDS MK MANAGEMENT - Perform Cryptographic Key Data Set (CKDS)
                       functions including master key management
 2 PKDS MK MANAGEMENT - Perform Public Key Data Set (PKDS)
                       functions including master key management
 3 TKDS MK MANAGEMENT - Perform PKCS #11 Token Data Set (TKDS)
                       functions including master key management
 4 SET MK              - Set master key
```

*Figure 32. Selecting CKDS MK MANAGEMENT on the Key Data Set Management panel*

3. The CKDS Operations panel appears:

```

CSFCKD20 ----- ICSF - CKDS Operations -----
COMMAND ==>

Enter the number of the desired option.

 1 Initialize an empty CKDS
 2 REFRESH - Activate an updated CKDS
 3 Update an existing CKDS
 4 Update an existing CKDS and activate master keys
 5 Refresh and activate master keys

Enter the name of the CKDS below.

CKDS ==>

```

Figure 33. The CKDS Operations panel

In the CKDS field, enter the name of the empty VSAM data set that was created to use as the disk copy of the CKDS.

- The name you enter can be the same name that is specified in the CKDSN keyword option in the installation options data set. For information about creating a CKDS and specifying the CKDS name in the installation options data set, see [z/OS Cryptographic Services ICSF System Programmer's Guide](#).

4. Select option 1, Initialize an empty CKDS. This will activate the master keys.

ICSF creates the header record in the disk copy of the CKDS and refreshes the CKDS. Next, ICSF sets the DES or AES master key, if any. ICSF then adds the required system key to the CKDS and refreshes the CKDS. When ICSF completes all these steps, the message INITIALIZATION COMPLETE appears. If you did not enter a master key into the new master key register previously, the message NMK REGISTER NOT FULL appears and the initialization process ends. You must enter a master key into the new master key register to initialize the CKDS.

**Note:** If any part of the option 1 fails, you must delete the CKDS and start over. If the failure occurs when one of the master keys has been set and prior to the system key being created, you will need to reset the master key.

When you complete the entire process, a CKDS and zero or more master keys exist on your system. You can now generate keys using functions like the key generate callable service and the key generator utility program (KGUP) or convert PCF keys to ICSF keys using the PCF CKDS conversion program. ICSF services use the keys to perform the cryptographic functions you request.

## PKDS

A PKDS is not required in order to use ICSF. However, by defining and initializing a PKDS, secure CCA asymmetric key functions are available, and ICSF can be used to manage CCA asymmetric key tokens in the PKDS. When you initialize a PKDS, you can copy the disk copy of the PKDS to create other PKDSs for use on the system. You can also use a PKDS on another ICSF system if the system has the same master key value.

**Note:** Use of a PKDS on another system depends both upon where the PKDS was initialized and the cryptographic hardware type of the other system. At any time, you can read a different disk copy into storage. For information about how to read a disk copy into storage on a single system, see [“Refreshing the key data sets”](#) on page 120 for additional information.

For a description of how to use the Master Key Entry panels to enter the master key, see [“Steps for entering the first master key part”](#) on page 105. For a description of how to use the TKE workstation to enter the master key, see [z/OS Cryptographic Services ICSF TKE Workstation User's Guide](#).

### Steps for initializing the PKDS

For information about initializing a PKDS in a sysplex environment, see [Chapter 12, “Running in a Sysplex Environment,”](#) on page 155.

There are two formats of the PKDS. You can use the following steps to initialize any format of PKDS.

- PKDS record format supported by all releases of ICSF.
- Common record format supported by ICSF FMID HCR77A1 and later releases. This format is referred to as KDSR format.

To initialize the PKDS:

1. Select option 2, KDS MANAGEMENT, on the “[ICSF Primary Menu panel](#)” on page 481.  
The “[CSFMKM10 – Key Data Set Management panel](#)” on page 485 appears.
2. Select option 2, for PKDS MK MANAGEMENT. The “[CSFMKM30 – PKDS Management panel](#)” on page 485 appears.
3. Select option 1, INIT/REFRESH/UPDATE PKDS and the Initialize a PKDS panel appears. See [Figure 34 on page 118](#).

```
CSFCKD30 ----- ICSF - PKDS Operations -----  
COMMAND ====>  
  
Enter the number of the desired option.  
  
  1  Initialize an empty PKDS and activate master keys  
      KDSR format? (Y/N) ====>  
  2  REFRESH - Activate a PKDS  
  3  Update an existing PKDS  
  4  Update an existing PKDS and activate master keys  
  5  Refresh and activate master keys  
  
Enter the name of the PKDS below.  
  
PKDS ====>
```

*Figure 34. ICSF Initialize/Refresh a PKDS Panel*

4. In the PKDS field, enter the name of the empty VSAM data set that was created to use as the disk copy of the PKDS.
  - The name you enter can be the same name that is specified in the PKDSN keyword option in the installation options data set. For information about creating a PKDS and specifying the PKDS name in the installation options data set, see [z/OS Cryptographic Services ICSF System Programmer's Guide](#).
  - In the KDSR format? field, enter Y if you want the PKDS to use the common record format. Enter N if you want to use the old format.
5. Select option 1, Initialize an empty PKDS and activate master keys and then press ENTER.

ICSF creates the header record in the disk copy of the PKDS. Next, ICSF sets the ECC or RSA master key, if any. ICSF then adds the required system key to the PKDS and refreshes the PKDS. When ICSF completes all these steps, the message INITIALIZATION COMPLETE appears. If you did not enter a master key into the new master key register previously, the message NMK REGISTER NOT FULL appears and the initialization process ends. You must enter a master key into the new master key register to initialize the PKDS.

**Note:** If any part of the option 1 fails, you must delete the PKDS and start over. If the failure occurs when one of the master keys has been set and prior to the system key being created, you will need to reset the master key.

When you complete the entire process, a PKDS and zero or more master keys exist on your system. You can now generate keys using functions like the PKA key generate callable service. ICSF services use the keys to perform the cryptographic functions you request.

## Updating the key data sets with additional master keys

If running in a sysplex, see [Chapter 12, “Running in a Sysplex Environment,” on page 155](#).



When you add a new master key to your system for your applications, you need to update the key data set so keys can be added to the key data set and ICSF knows the new master key is required for coprocessor activation.

**Important:** The master keys are loaded into the new master key register. The utilities described in this section require the master keys to be in the new master key register and not set. Newer versions of the TKE workstation allow the master keys to be set from the TKE workstation. This option must not be used for a coprocessor or domain that is visible to ICSF. These utilities will fail if the master key is not in the new master key register.

## CKDS

You can add the AES master key to a CKDS that was initialized with only the DES master key. It is also possible to add the DES master key to a CKDS that was initialized with only the AES master key.

There are three options for updating the CKDS on the CKDS Operations panel.

- Option 3 (Update an existing CKDS) adds the missing master key verification pattern to the CKDS header record. The CKDS will not become the active CKDS and the master key will not be set. Use this option if you have more than one CKDS to update as a CKDS cannot be updated if the new master key register is empty. The last CKDS should be processed using option 4, 'Update an existing CKDS and activate master keys'.
- Option 4 (Update an existing CKDS and activate master keys) adds the missing master key verification pattern, makes the specified CKDS the active CKDS, and sets the master keys. This option should be used if you have only one CKDS to update or to update the last of your CKDSs after all other CKDSs have been updated using option 3, 'Update an existing CKDS'. This option should be used on the first LPAR in a shared CKDS sysplex.
- Option 5 (Refresh and activate master keys) makes the specified CKDS the active CKDS and sets the master keys. This option is used on other LPARs that are sharing the CKDS, after that CKDS has been updated with the missing master key to activate the CKDS and to set the master keys after using option 4, 'Update an existing CKDS and activate master keys', on the first LPAR.

These are the steps to update the CKDS:

1. Load the new master key register for the missing master key by using the master key entry panels or by using the TKE workstation. The missing master key must be loaded on all active coprocessors.
2. From the [“ICSF Primary Menu panel”](#) on page 481, select option 2, KDS MANAGEMENT.
3. From the [“CSFMKM10 – Key Data Set Management panel”](#) on page 485, select option 1 for CKDS MK MANAGEMENT.
4. The [“CSFMKM20 – CKDS Management panel”](#) on page 485 appears, select option 1, CKDS OPERATIONS.
5. The [“CSFCKD20 – CKDS Operations panel”](#) on page 482 appears. If updating multiple CKDS, for all but the last CKDS, choose option 3, Update an existing CKDS and press ENTER. ICSF checks the status of the new master key registers and that the master key verification pattern of the master key is written to the CKDS header record.

**Note:** All the CKDSs that you want to update should be processed before going to the next step.

6. In the CKDS field, enter the name of an existing, initialized CKDS.
7. If updating the last or only CKDS, choose option 4 (Update an existing CKDS and activate master keys) and press ENTER. ICSF checks the status of the new master key registers and that the master key verification pattern of the master key is written to the CKDS header record. The CKDS becomes the active CKDS and sets the master key.

## PKDS

On systems that support the ECC master key, you can add the ECC master key to any existing PKDS. It is also possible to add the RSA master key to a PKDS that was initialized with only the ECC master key.

There are three options for updating the PKDS on the PKDS Operations panel.

- Option 3 (Update an existing PKDS) adds the missing master key verification pattern to the PKDS header record. The PKDS will not become the active PKDS and the master key will not be set. Use this option if you have more than one PKDS to update as a PKDS cannot be updated if the new master key register is empty. The last PKDS should be processed using option 4 (Update an existing PKDS and activate master keys).
- Option 4 (Update an existing PKDS and activate master keys) adds the missing master key verification pattern, makes the specified PKDS the active PKDS, and sets the master keys. This option should be used if you have only one PKDS to update or to update the last of your PKDSs after all other PKDSs have been updated using option 3.
- Option 5 (Refresh and activate master keys) makes the specified PKDS the active PKDS and sets the master keys. This option is used on other LPARs after the PKDS has been updated with the missing master key to activate the PKDS and to set the master keys.

These are the steps to update the PKDS:

1. Load the new master key register for the missing master key by using the master key entry panels or by using the TKE workstation. The missing master key must be loaded on all active coprocessors.
2. From the [“ICSF Primary Menu panel” on page 481](#), select option 2, KDS MANAGEMENT.
3. From the [“CSFMKM10 – Key Data Set Management panel” on page 485](#), select option 2 for PKDS MK MANAGEMENT.
4. The [“CSFMKM30 – PKDS Management panel” on page 485](#) appears, select option 1, PKDS OPERATIONS.
5. The [“CSFCKD30 – PKDS Operations panel” on page 482](#) appears. In the PKDS field, enter the name of an existing, initialized PKDS.
6. If updating multiple PKDS, for all but the last PKDS, choose option 3, Update an existing PKDS, and press ENTER. ICSF will check the status of the new master key registers and the master key verification pattern of the master key is written to the PKDS header record.

**Note:** All the PKDSs that you wish to update should be processed prior to going to the next step.

7. If updating the last or only PKDS, choose option 4, Update an existing PKDS and activate master keys, and press ENTER. ICSF will check the status of the new master key registers and that the master key verification pattern of the master key is written to the PKDS header record. The PKDS will become the active PKDS and sets the master key.

## Refreshing the key data sets

---

You can refresh the in-storage key data set with an updated or different disk copy of the key data set. You can refresh the in-storage key data sets at any time without disrupting cryptographic functions.

When you initialize a CKDS for the first time, you can copy the disk copy of the CKDS to create other CKDSs for the system. You can use KGUP to add and update any of the disk copies on your system. You can use the dynamic CKDS update callable services to add or update the disk copy of the current in-storage CKDS. For information about using KGUP, see [Chapter 13, “Managing Cryptographic Keys Using the Key Generator Utility Program,” on page 167](#). For information on using the dynamic CKDS callable services, see [z/OS Cryptographic Services ICSF Application Programmer's Guide](#).

When you initialize a PKDS for the first time, you can make disk copies to create other PKDSs for the system. You can use the dynamic PKDS update callable services to add or update the disk copy of the current in-storage PKDS. For information on using the dynamic PKDS callable services, refer to the [z/OS Cryptographic Services ICSF Application Programmer's Guide](#). You can refresh the in-storage PKDS with an updated or different disk copy of the PKDS by using these steps. You can refresh the PKDS at any time without disrupting cryptographic functions.

The coordinated refresh utilities will refresh the key data set for all members in the sysplex sharing that key data set. The local refresh utilities will only refresh the key data set on the system where the utility is invoked.

If you are running either a stand-alone system or a sysplex environment where all members of the systems are using ICSF FMID HCR7790 or later, you may be able to perform a coordinated CKDS refresh. The coordinated CKDS refresh operation simplifies CKDS administration by automating steps from the local CKDS refresh procedure and allowing the refresh to be initiated from one member. Coordinated CKDS refresh is carried out for all members in the sysplex sharing the same active CKDS. If you are in a single system environment, coordinated CKDS refresh can still be used to automate the manual steps of a local CKDS refresh.

If you are running either a stand-alone system or a sysplex environment where all members of the sysplex are using ICSF FMID HCR77A0 or later, you may be able to perform a coordinated PKDS refresh. The coordinated PKDS refresh operation simplifies PKDS administration by automating steps from the local PKDS refresh procedure and allowing the refresh to be initiated from a one member of the sysplex. Coordinated PKDS refresh is carried out for all members in the sysplex sharing the same active PKDS. If you are in a single system environment, coordinated PKDS refresh can still be used to automate the manual steps of a local PKDS refresh.

On systems where there are active master keys (the MKVP in the key data set matches the current master key register), the MKVPs in the header of the new key data set must be the same as the active key data set. ICSF will not allow a system to refresh to a key data set that will cause any active master keys to become inactive.

## Performing a local CKDS refresh

You use the CKDS utility program, CSFEUTIL, to invoke a local refresh of the CKDS from a batch job. See [Chapter 20, “Using the ICSF Utility Program CSFEUTIL,” on page 439](#).

You can refresh the in-storage CKDS with an updated or different disk copy of the CKDS by using these steps. You can refresh the CKDS at any time without disrupting cryptographic functions.

**Note:** To refresh the CKDS, your userid's TSO region size must be large enough to load the CKDS into memory. The CKDS load operation alone requires #records \* Max LRECL bytes of 64-bit virtual storage. Your userid's TSO region size must be large enough to accommodate this in addition to any other memory required by your TSO user.

**Note:** Prior to refreshing a CKDS, consider temporarily disallowing dynamic CKDS update services. For more information, see [“Steps for enabling and disabling PKA callable services and Dynamic CKDS/PKDS access controls” on page 98](#).

1. Enter option 2, KDS MANAGEMENT, on the ICSF Primary Menu panel to access the Key Data Set Management panel: [“ICSF Primary Menu panel” on page 481](#)
2. Enter option 1, CKDS MK MANAGEMENT and the CKDS Management panel appears: [“CSFMKM10 — Key Data Set Management panel” on page 485](#)
3. Enter option 1, CKDS Operations to access the CKDS Operations panel.

```
CSFCKD10 ----- ICSF CKDS Operations -----  
COMMAND ==>>>  
  
Enter the number of the desired option.  
  
  1 Initialize an empty CKDS (creates the header and system keys)  
  2 REFRESH - Activate an updated CKDS  
  
Enter the name of the CKDS below.  
  
CKDS ==>> 'PIN1.CKDS'
```

*Figure 35. Selecting the Refresh Option on the ICSF Initialize a CKDS Panel*

4. In the CKDS field, specify the name of the disk copy of the CKDS that you want ICSF to read into storage.
5. Choose option 2, REFRESH, and press ENTER.

ICSF places the disk copy of the specified CKDS into storage. A REFRESH does not disrupt any applications that are running on ICSF. A message that states that the CKDS was refreshed appears on the right of the top line on the panel.

If you have CKDS record authentication enabled, ICSF performs a MAC verification on each record in the CKDS. When ICSF reads the CKDS into storage, it performs a MAC verification on each record in the CKDS. If a record fails the MAC verification, ICSF sends a message that gives the key label and type to the z/OS system security console. You can then use either KGUP or the dynamic CKDS update services to delete the record from the CKDS. Any other attempts to access a record that has failed MAC verification results in a return code and reason code that indicate that the MAC is not valid.

6. Press END to return to the Primary Menu panel.

**Note:** You can use either a KGUP panel or a utility program, instead of the CKDS panel, to perform a local CKDS refresh. For information about these other methods, see [“Performing a local CKDS refresh”](#) on page 121 with KGUP.

## Performing a coordinated CKDS refresh

A coordinated CKDS refresh may be performed on a single instance of ICSF, on a single-system sysplex, or on a multi-system sysplex. The coordinated refresh operation is initiated from a single ICSF instance and then carried out across all other sysplex members sharing the same active CKDS. This results in the in-storage copy of the CKDS being updated for all ICSF instances in the sysplex that share the same active CKDS as the initiator.

To perform a coordinated CKDS refresh, all members of the sysplex (including sysplex members that are not configured with the same active CKDS) must be at the ICSF FMID HCR7790 release or later.

A coordinated CKDS refresh can be done by writing an application to invoke the Coordinated KDS Administration (CSFCRC) callable service. For information on this callable service, see [z/OS Cryptographic Services ICSF Application Programmer's Guide](#).

Before performing a refresh, you should consider temporarily disallowing dynamic CKDS updates on all sysplex members for the CKDS you are processing. For information on disabling dynamic CKDS updates, See [“Steps for enabling and disabling PKA callable services and Dynamic CKDS/PKDS access controls”](#) on page 98.

If you are performing a refresh to a new CKDS, the new CKDS must be allocated, must not be empty, and must be enciphered with the current master key or keys. You will optionally be able to use the archive option for renaming the current CKDS to an archive name and the new CKDS to the active CKDS name. The archive data set name must not be allocated or exist on the system prior to performing the refresh.

To perform a coordinated CKDS refresh:

1. Enter option 2, KDS MANAGEMENT, on the ICSF Primary Menu panel to access the Key Data Set Management panel.
2. Enter option 1, CKDS MK MANAGEMENT, and the CKDS Management panel appears: [“CSFMKM20 – CKDS Management panel”](#) on page 485
3. Enter option 4, COORDINATED CKDS REFRESH, and the Coordinated KDS Refresh panel appears:

```

CSFCRC10 ----- ICSF - Coordinated KDS Refresh -----
COMMAND ==>
To perform a coordinated KDS refresh to a new KDS, enter the KDS names below
and optionally select the rename option. To perform a coordinated KDS refresh
of the active KDS, simply press enter without entering anything on this panel.

  KDS Type ==> CKDS
Active KDS ==> 'CSF.CKDS'

  New KDS ==>

      Rename Active to Archived and New to Active (Y/N) ==> N

      Archived KDS ==>

Press ENTER to perform a coordinated KDS refresh.
Press END to exit to the previous menu.

```

Figure 36. The Coordinated KDS Refresh panel

The active CKDS name is displayed in the **Active KDS** field. You can use this panel to refresh to a new CKDS or to refresh the active CKDS.

To refresh to a new CKDS:

- a. Enter the name of the new CKDS in the **New KDS** field. This data set must be allocated, not empty, and enciphered under the current master key or keys.
- b. Optionally, the rename option may be used to have the current CKDS renamed to an archive name and the new CKDS renamed to the active CKDS name. The rename option simplifies CKDS administration by removing the need to update the ICSF Installation Options Data Set with the name of the new data set after the coordinated CKDS refresh to a new CKDS completes.

If you would like to have the new CKDS renamed to match the name of the current active CKDS:

- i) Type Y in the **Rename Active to Archived and the New to Active (Y / N)** field.
- ii) Enter the name under which the currently active CKDS will be archived in the **Archived KDS** field. The archive CKDS name must not be allocated and must not exist on the system prior to performing the coordinated refresh to a new data set.

If you do not want to have the new CKDS renamed to match the name of the current active CKDS, type N in the **Rename Active to Archived and the New to Active (Y / N)** field. Remember to change the name of the KDS in the Installation Options Data Set as described in [z/OS Cryptographic Services ICSF System Programmer's Guide](#). The CKDS name must be changed in each cluster member's Installation Options Data Set after the coordinated CKDS refresh function completes successfully. If the Installation Options Data Set is updated with a new CKDS name and the coordinated CKDS refresh function fails, ICSF might be configured with an invalid CKDS the next time it is restarted.

- c. Press ENTER to begin the coordinated refresh.

To refresh the active CKDS, no input is required on the panel and will be ignored if entered.

- i) Verify that the **Active KDS** field shows the name of the active CKDS. ICSF should have filled in this field automatically.
  - ii) Press ENTER to begin the coordinated refresh.
4. A confirmation panel is displayed, prompting you to verify that you want to continue with the coordinated refresh. Verify that the information on this confirmation panel is correct. If it is, type Y in the confirmation field provided and press ENTER. The Coordinated KDS Refresh will then start processing.
  5. Verify the dialog results and correct any indicated failures or unexpected results. See [“Recovering from a coordinated administration failure” on page 134](#) for additional information.

## Performing a local PKDS refresh

You use the PKDS utility program, CSFPUTIL, to invoke a local refresh of the PKDS from a batch job. See Chapter 21, “Using the ICSF Utility Program CSFPUTIL,” on page 449.

**Note:** To refresh the PKDS, your userid's TSO region size must be large enough to load the PKDS into memory. The PKDS load operation alone requires #records \* Max LRECL bytes of 64-bit virtual storage. Your userid's TSO region size must be large enough to accommodate this in addition to any other memory required by your TSO user.

**Note:** Prior to refreshing a PKDS, consider temporarily disallowing dynamic PKDS update services. For more information, see “Steps for enabling and disabling PKA callable services and Dynamic CKDS/PKDS access controls” on page 98.

1. Enter option 2, KDS MANAGEMENT, on the ICSF Primary Menu panel to access the Key Data Set Management panel: “ICSF Primary Menu panel” on page 481

The “CSFMKM10 – Key Data Set Management panel” on page 485 appears.

2. Enter option 2, PKDS MK MANAGEMENT and the PKDS Management panel appears: “CSFMKM30 – PKDS Management panel” on page 485
3. Enter option 1, PKDS Operations to access the PKDS Operations panel appears: “CSFCKD30 – PKDS Operations panel” on page 482
4. In the PKDS field, specify the name of the disk copy of the PKDS that you want ICSF to read into storage. ICSF places the disk copy of the specified PKDS into storage. A message that states that the PKDS was refreshed appears on the right of the top line on the panel.
5. Choose option 2, REFRESH, and press ENTER.
6. Press END to return to the Primary Menu panel.

ICSF places the disk copy of the specified PKDS into storage. A REFRESH does not disrupt any applications that are running on ICSF. A message that states that the PKDS was refreshed appears on the right of the top line on the panel.

## Performing a coordinated PKDS refresh

A coordinated PKDS refresh may be performed on a single instance of ICSF, on a single-system sysplex, or on a multi-system sysplex. The coordinated refresh operation is initiated from a single ICSF instance and then carried out across all other sysplex members sharing the same active PKDS. This results in the in-storage copy of the PKDS being updated for all ICSF instances in the sysplex that share the same active PKDS as the initiator.

To perform a coordinated PKDS refresh, all members of the sysplex (including sysplex members that are not configured with the same active PKDS) must be at the ICSF FMID HCR77A0 release or later.

A coordinated PKDS refresh can be done by writing an application to invoke the Coordinated KDS Administration (CSFCRC) callable service. For information on this callable service, see *z/OS Cryptographic Services ICSF Application Programmer's Guide*.

Before performing a refresh, you should consider temporarily disallowing dynamic PKDS updates on all sysplex members for the PKDS you are processing. For information on disabling dynamic PKDS updates, See “Steps for enabling and disabling PKA callable services and Dynamic CKDS/PKDS access controls” on page 98.

If you are performing a refresh to a new PKDS, the new PKDS must be allocated, must not be empty, and must be enciphered with the current master key or keys. You will optionally be able to use the archive option for renaming the current PKDS to an archive name and the new PKDS to the active PKDS name. The archive data set name must not be allocated or exist on the system prior to performing the refresh.

To perform a coordinated PKDS refresh:

1. Enter option 2, KDS MANAGEMENT, on the ICSF Primary Menu panel to access the Key Data Set Management panel.



2. Enter option 2, PKDS MK MANAGEMENT, and the PKDS Management panel appears: “[CSFMKM30 – PKDS Management panel](#)” on page 485
3. Enter option 4, COORDINATED PKDS REFRESH, and the Coordinated KDS Refresh panel appears:

```

CSFCRC10 ----- ICSF - Coordinated KDS Refresh -----
COMMAND ==>
To perform a coordinated KDS refresh to a new KDS, enter the KDS names below
and optionally select the rename option. To perform a coordinated KDS refresh
of the active KDS, simply press enter without entering anything on this panel.

KDS Type ==> PKDS
Active KDS ==> 'CSF.PKDS'

New KDS ==>

Rename Active to Archived and New to Active (Y/N) ==> N

Archived KDS ==>

Press ENTER to perform a coordinated KDS refresh.
Press END to exit to the previous menu.

```

Figure 37. The Coordinated KDS Refresh panel

The active PKDS name is displayed in the **Active KDS** field. You can use this panel to refresh to a new PKDS or to refresh the active PKDS.

To refresh to a new PKDS:

- a. Enter the name of the new PKDS in the **New KDS** field. This data set must be allocated, not empty, and enciphered under the current master key or keys.
- b. Optionally, the rename option may be used to have the current PKDS renamed to an archive name and the new PKDS renamed to the active PKDS name. The rename option simplifies PKDS administration by removing the need to update the ICSF Installation Options Data Set with the name of the new data set after the coordinated PKDS refresh to a new PKDS completes.

If you would like to have the new PKDS renamed to match the name of the current active PKDS:

- i) Type Y in the **Rename Active to Archived and the New to Active (Y / N)** field.
- ii) Enter the name under which the currently active PKDS will be archived in the **Archived KDS** field. The archive PKDS name must not be allocated and must not exist on the system prior to performing the coordinated refresh to a new data set.

If you do not want to have the new PKDS renamed to match the name of the current active PKDS, type N in the **Rename Active to Archived and the New to Active (Y / N)** field. Remember to change the name of the KDS in the Installation Options Data Set as described in [z/OS Cryptographic Services ICSF System Programmer's Guide](#). The PKDS name must be changed in each cluster member's Installation Options Data Set after the coordinated PKDS refresh function completes successfully. If the Installation Options Data Set is updated with a new PKDS name and the coordinated PKDS refresh function fails, ICSF might be configured with an invalid PKDS the next time it is restarted.

- c. Press ENTER to begin the coordinated refresh.

To refresh the active PKDS, no input is required on the panel and will be ignored if entered.

- i) Verify that the **Active KDS** field shows the name of the active PKDS. ICSF should have filled in this field automatically.
  - ii) Press ENTER to begin the coordinated refresh.
4. A confirmation panel is displayed, prompting you to verify that you want to continue with the coordinated refresh. Verify that the information on this confirmation panel is correct. If it is, type Y in the confirmation field provided and press ENTER. The Coordinated KDS Refresh will then start processing.

5. Verify the dialog results and correct any indicated failures or unexpected results. See [“Recovering from a coordinated administration failure”](#) on page 134 for additional information.

## Changing the master keys

---

For security reasons, your installation should change the master keys periodically. In addition, if the master keys have been cleared, you might also want to change the master keys when you reenter the cleared master keys.

There are three main steps that are involved in performing a master key change:

1. Enter the master key parts by using the ICSF Master Key Entry or the TKE workstation.
2. Reencrypt the key data sets under the new master keys. This fills an empty VSAM data set with the reencrypted keys and makes the data set the new key data set. This new reencrypted key data set is a disk copy.
3. Change the new master keys and activate the reencrypted key data sets.

**Note:**

- DES and AES master keys can be changed separately or together.
- RSA and ECC master keys can be changed separately or together.

If your system is using multiple coprocessors, they must have the same master key or keys. When you load a new master key or keys in one coprocessor, you should load the same new master key or keys in the other coprocessors. Therefore, to reencrypt a key data set under a new master key, the new master key registers in all coprocessors must contain the same value.

**Important:** The master keys are loaded into the new master key register. The utilities that are described in this section require the master keys to be in the new master key register and not set. Newer versions of the TKE workstation allow the master keys to be set from the TKE workstation. This option must not be used for a coprocessor or domain that is visible to ICSF. Setting the master keys should be done by using ICSF utilities so ICSF knows that the master keys have changed. Changing the master keys without using ICSF may cause an outage.

When using the local reencrypt KDS and change master key utilities, each step is performed separately and only on the system where the utility is invoked.

When using the coordinated change master key utility after the new master key is loaded, the remaining steps will be done by the utility across all members of the sysplex that share the same key data set. Additional function for renaming and archiving the key data set is available.

The coordinated change master key utility combines the CKDS or PKDS reencrypt and set master key steps for both single system environments and sysplex environments. Additionally, when in a sysplex environment, the coordinated change master key utility coordinates across all sysplex members that share the same active CKDS or PKDS. This removes the need to perform manual steps on each system that shares the same CKDS or PKDS, including bringing the disk copy of the reencrypted CKDS or PKDS into storage. Be aware that this utility changes the master keys for all systems in the sysplex that share the same active CKDS or PKDS as the member who initiates the procedure.

If you are running either a stand-alone system or a sysplex environment where all members of the systems are using ICSF FMID HCR7790 or later, you may be able to perform a coordinated CKDS change master key. All members of the sysplex (including any sysplex members that are not using the same active CKDS) must be at ICSF FMID HCR7790 or later. ICSF on all systems in the sysplex must be running in noncompatibility mode.

If you are running either a stand-alone system or a sysplex environment where all members of the systems are using ICSF FMID HCR77A0 or later, you may be able to perform a coordinated PKDS change master key. All members of the sysplex (including any sysplex members that are not using the same active PKDS) must be at ICSF FMID HCR77A0 or later.



**Note:** Do not use the coordinated KDS change master key procedure to reencipher archived or backup copies of the CKDS or PKDS that are not currently active. Use it to only reencipher the active CKDS or PKDS.

If an error reenciphering a key in a key data set that causes the utility to fail, a CSFC0316 message is generated specifying the label for the problem record. You can use the Key Check utility to check the keys in a key data set before reenciphering the key data set.

## Key check utility

**Note:** The key check utility is available on IBM z13 and later servers.

The key check utility validates each key in the key data set in the same manner as the KDS reencipher utility without reenciphering the key. The utility can be run prior to reenciphering on a key data set to ensure the KDS reencipher and change master key utilities will complete successfully. The utility checks the active key data sets. The results of the check are written to the ICSF joblog.

The key check utility can be invoked from the CKDS Management and PKDS Management panels or by writing an application to invoke the ICSF Multi-Purpose Service (CSFMPS) callable service. For more information, see [z/OS Cryptographic Services ICSF Application Programmer's Guide](#).

### Steps for checking the CKDS

1. Enter option 2, KDS MANAGEMENT, on the ICSF Primary Menu panel: [“ICSF Primary Menu panel” on page 481](#) to access the Key Data Set Management panel: [“CSFMKM10 – Key Data Set Management panel” on page 485](#)
2. Enter option 1, CKDS MK MANAGEMENT and the CKDS Management panel appears: [“CSFMKM20 – CKDS Management panel” on page 485](#)
3. Enter option 7 for CKDS KEY CHECK to run the utility on the active CKDS.

The panel message will indicate if the check was successful or if there are errors. CSFM661I messages are written to the ICSF joblog with warnings and errors.

### Steps for checking the PKDS

1. Enter option 2, KDS MANAGEMENT, on the ICSF Primary Menu panel: [“ICSF Primary Menu panel” on page 481](#) to access the Key Data Set Management panel: [“CSFMKM10 – Key Data Set Management panel” on page 485](#)
2. Enter option 2, PKDS MK MANAGEMENT and the PKDS Management panel appears: [“CSFMKM30 – PKDS Management panel” on page 485](#)
3. Enter option 7 for PKDS KEY CHECK to run the utility on the active PKDS.

The panel message will indicate if the check was successful or if there are errors. CSFM661I messages are written to the ICSF joblog with warnings and errors.

## Symmetric master keys and the CKDS

The procedure you need to follow for changing the symmetric master keys will differ depending on factors such as your system's compatibility mode. Although the details of the various procedures differ, they guide you through performing the same significant actions. To change the symmetric keys, you need to:

1. Enter the master key parts into the new master key registers.
2. Reencipher the CKDS under the new master key.
3. Change the symmetric master keys and make the reenciphered CKDS the active CKDS.

Because this procedure branches into different instructions based on whether ICSF is running in noncompatibility, compatibility, or co-existence mode, you should first understand the following background information on these modes before referring to and performing the procedure.

ICSF runs in noncompatibility, compatibility, or co-existence mode with the IBM cryptographic products, and Programmed Cryptographic Facility (PCF). You specify which mode ICSF runs in by using an installation option. For a description of the modes and how to specify an installation option, see [z/OS Cryptographic Services ICSF System Programmer's Guide](#).

In noncompatibility mode, ICSF allows you to change the master key with continuous operations. Therefore, applications can continue to run without disruption. However, when ICSF is in compatibility mode or co-existence mode, you should use a different procedure to activate the changed master key. This is to ensure that no application is holding an internal token with the wrong master key.

In all three modes, you enter the new master key and reencipher the disk copy of the CKDS under the new master key using the master key panels. In noncompatibility mode, you then activate the new master key and refresh the in-storage copy of the CKDS with the disk copy using the master key panels or a utility program.

In compatibility mode and coexistence mode however, activating the new master key and refreshing the in-storage copy of the CKDS does not reencipher internal key tokens under the new master key. ICSF applications that are holding internal key tokens which have been enciphered under the wrong master key will fail with a warning message. Applications that use the PCF macros, run with no warning message and produce erroneous results.

If you have a cryptographic feature installed, when you start ICSF, you must go to the Key Data Set Management panel and do a set master key (option 4, SET MK). This will change the master keys of all the cryptographic features.

A re-IPL ensures that a program does not access a cryptographic service that uses a key that is encrypted under a different master key. If a program is using an operational key, the program should either re-create or reimport the key, or generate a new key.

If a re-IPL is not practical in your installation, you can use this alternative method. Stop all cryptographic applications, especially those using PCF macros, when activating the new master key and refreshing the in-storage copy of the CKDS. This eliminates all operational keys that are encrypted under the current master key. When you start ICSF again, applications using an operational key can either re-create or reimport the key.

## Steps for reenciphering the CKDS and performing a local symmetric master key change

If running in a sysplex, see [Chapter 12, “Running in a Sysplex Environment,”](#) on page 155.

**Note:** Prior to reenciphering a CKDS, consider temporarily disallowing dynamic CKDS update services. For more information, see [“Steps for enabling and disabling PKA callable services and Dynamic CKDS/PKDS access controls”](#) on page 98.

Before beginning this procedure, you must:

- Enter the key parts of the new master key that you want to replace the current master key into all coprocessors on your system. For information about how to do this procedure, see [“Entering master key parts”](#) on page 99. The new master key register must be full when you change the master key.
- Create a new VSAM data set in which the reenciphered keys will be placed to create the new reenciphered CKDS. This data set must be allocated and empty and must contain the same data set attributes as the active CKDS. For more information about defining a CKDS, see [z/OS Cryptographic Services ICSF System Programmer's Guide](#).

**Note:** To reencipher the CKDS, your userid's TSO region size must be large enough to load the CKDS into memory. The CKDS load operation alone requires #records \* Max LRECL bytes of 64-bit virtual storage. Your userid's TSO region size must be large enough to accommodate this in addition to any other memory required by your TSO user.

You can use the ICSF utility panels or a utility program to reencipher the CKDSs and change the master key. See [Chapter 20, “Using the ICSF Utility Program CSFEUTIL,”](#) on page 439 for instructions on how to use the utility program to reencipher a disk copy of a CKDS and to change a master key.

To reencipher the CKDS and change the master key using the ICSF panels:

1. Enter option 2, KDS MANAGEMENT, on the ICSF Primary Menu panel to access the Key Data Set Management panel: [“ICSF Primary Menu panel” on page 481](#)

The [“CSFMKM10 – Key Data Set Management panel” on page 485](#) appears.

2. Enter option 1, CKDS MK MANAGEMENT and the CKDS Management panel appears: [“CSFMKM20 – CKDS Management panel” on page 485](#)
3. Select option 2, REENCIPHER CKDS, on the [“CSFMKM20 – CKDS Management panel” on page 485](#), and press ENTER.

When you change the master key, you must first reencipher the disk copy of the CKDS under the new master key.

**Note:** If your system is using multiple coprocessors, they must have the same master key. When you change the master key in one coprocessor, you should change the master key in the other coprocessors. Therefore, to reencipher a CKDS under a new master key, the new master key registers in all coprocessors must contain the same value.

4. The [“CSFCMK10 – Reencipher CKDS panel” on page 482](#) appears. In the Input CKDS field, enter the name of the CKDS that you want to reencipher. In the Output CKDS field, enter the name of the data set in which you want to place the reenciphered keys.

Reenciphering the disk copy of the CKDS does not affect the in-storage copy of the CKDS. On this panel, you are working with only a disk copy of the CKDS.

5. Press ENTER to reencipher the input CKDS entries and place them into the output CKDS.

The message REENCIPHER SUCCESSFUL appears on the top right of the panel if the reencipher succeeds.

**Note:** If the operation fails with a return and reason code, see section [“Return and reason codes for the CSFEUTIL program” on page 441](#) or the *z/OS Cryptographic Services ICSF Application Programmer's Guide Appendix A* for a description of the failing return and reason codes.

6. If you have more than one CKDS on a disk, specify the information and press ENTER as many times as you need to reencipher all of them. Reencipher all your disk copies at this time. When you have reenciphered all the disk copies of the CKDS, you are ready to change the master key.
7. Press END to return to the [“CSFMKM20 – CKDS Management panel” on page 485](#).

Performing a local symmetric master key change involves refreshing the in-storage copy of the CKDS with a disk copy and activating the new master key.

8. If you are running in PCF compatibility or co-existence mode, do not select option 3, the Change option. To activate the changed master key when running in compatibility or co-existence mode, you need to re-IPL z/OS and start ICSF. When you re-IPL z/OS and start ICSF, you activate the changed master key and refresh the in-storage CKDS.
9. If you are running in noncompatibility mode, to change the master key, select option 3, CHANGE SYM MK, on the CKDS Management panel: [“CSFMKM20 – CKDS Management panel” on page 485](#) The Change Master Key panel appears: [“CSFCMK20 – Change Master Key panel” on page 483](#)

10. In the New CKDS field, enter the name of the disk copy of the CKDS that you want ICSF to place in storage.

You should have already reenciphered the disk copy of the CKDS under the new master key. The last CKDS name that you specified in the Output CKDS field on the [“CSFCMK10 – Reencipher CKDS panel” on page 482](#) automatically appears in this field.

11. Press ENTER.

ICSF loads the data set into storage where it becomes operational on the system. ICSF also places the new master key into the master key register so it becomes active.

When you press ENTER, ICSF attempts to change the master key. It displays a message on the top right of the panel. The message indicates either that the master key was changed successfully or that an error occurred that prevented the successful completion of the change process. For example, if

you indicate a data set that is not reenciphered under the new master key, an error message displays and the master key is not changed.

12. When changing the master key, remember to change the name of the CKDS in the Installation Options Data Set.

## Asymmetric master keys and the PKDS

The procedure you need to follow for changing the asymmetric master keys will differ depending on your system's hardware and coprocessor licensed internal code. Although the details of the procedures differ, they guide you through performing the same significant actions. To change the asymmetric keys, you need to:

1. Enter the master key parts into the new master key register.
2. Reencipher the PKDS under the new master key.
3. Change the asymmetric master keys and make the reenciphered PKDS the active PKDS.

The procedure for the changing the RSA master key depends on the cryptographic coprocessors on your system.

- If your system is an IBM z196 or z114 where there is a CEX3 coprocessor with September 2011 or later licensed internal code or your system is an IBM zEC12, zBC12, or later server, these are the main steps involved in performing a local RSA master key change:
  1. Enter the RSA-MK master key parts.
  2. Reencipher the PKDS under the new RSA-MK.
  3. Perform an asymmetric master key change.
- If your system is an IBM z9 or IBM z10 server or an IBM z196 or z114 where all CEX3 coprocessors have licensed internal code older than September 2011, these are the main steps involved in performing a local RSA master key change:
  1. Disable PKA callable services control.
  2. Enter the RSA-MK master key parts. The RSA-MK is automatically set when the final key part is loaded.
  3. Reencipher the PKDS under the current RSA-MK.
  4. Perform an asymmetric master key change.
  5. Enable PKA callable services control.

## Steps for reenciphering the PKDS and performing a local asymmetric master key change

If running in a sysplex, see [Chapter 12, “Running in a Sysplex Environment,”](#) on page 155.

**Note:** Prior to reenciphering a PKDS, consider temporarily disallowing dynamic PKDS update services. For more information, see [“Steps for enabling and disabling PKA callable services and Dynamic CKDS/PKDS access controls”](#) on page 98.

Before beginning this procedure, you must:

1. Enter the key parts of the new master key that you want to replace the current master key into all coprocessors on your system. For information about how to do this procedure, see [“Entering master key parts”](#) on page 99. The new master key register must be full when you change the master key.
2. Create a VSAM data set in which the reenciphered keys are placed to create the new reenciphered PKDS. This data set must be allocated and empty and must contain the same data set attributes as the active PKDS. For more information about defining a PKDS, see [z/OS Cryptographic Services ICSF System Programmer's Guide](#).

**Note:** To reencipher the PKDS, your userid's TSO region size must be large enough to load the PKDS into memory. The PKDS load operation alone requires #records \* Max LRECL bytes of 64-bit virtual storage.

Your user's TSO region size must be large enough to accommodate this in addition to any other memory required by your TSO user.

You can use the ICSF utility panels or a utility program to reencipher the PKDSs. See Chapter 21, “Using the ICSF Utility Program CSFPUTIL,” on page 449 for instructions on how to use the utility program to reencipher a disk copy of a PKDS. If you use CSFPUTIL to reencipher the PKDS, change the asymmetric master keys by using following procedure starting with step 8.

To reencipher the PKDS and change the master key using the ICSF utility panels:

1. Disable the PKA callable services control on the ICSF Administrative Control Functions panel if appropriate. See “Steps for enabling and disabling PKA callable services and Dynamic CKDS/PKDS access controls” on page 98.

2. Enter option 2, KDS MANAGEMENT, on the ICSF Primary Menu panel to access the Key Data Set Management panel: “ICSF Primary Menu panel” on page 481

The “CSFMKM10 – Key Data Set Management panel” on page 485 appears.

3. Enter option 2, PKDS MK MANAGEMENT and the PKDS Management panel appears: “CSFMKM30 – PKDS Management panel” on page 485

When you perform a local master key change, you must first reencipher the disk copy of the PKDS under the new master key.

**Note:** If your system is using multiple coprocessors, they must have the same master key. When you change the master key in one coprocessor, you should change the master key in the other coprocessors. Therefore, to reencipher a PKDS under a new master key, the new master key registers in all coprocessors must contain the same value.

4. The “CSFCMK12 – Reencipher PKDS panel” on page 483 appears. In the Input PKDS field, enter the name of the PKDS that you want to reencipher. In the Output PKDS field, enter the name of the data set in which you want to place the reenciphered keys.

Reenciphering the disk copy of the PKDS does not affect the in-storage copy of the PKDS. On this panel, you are working with only a disk copy of the PKDS.

5. Press ENTER to reencipher the input PKDS entries and place them into the output PKDS.

The message REENCIPHER SUCCESSFUL appears on the top of the panel if the reencipher succeeds.

6. If you have more than one PKDS on a disk, specify the information and press ENTER as many times as you need to reencipher all of them. Reencipher all your disk copies now. When you have reenciphered all the disk copies of the PKDS, you are ready to change the master key.

7. Press END to return to the “CSFMKM30 – PKDS Management panel” on page 485.

8. To change the master key select option 3, CHANGE ASYM MK, on the PKDS Management panel. The Change Asymmetric Master Key Panel appears: “CSFCMK22 – Change Asymmetric Master Key panel” on page 483

9. In the New PKDS field, enter the name of the disk copy of the PKDS that you want ICSF to place in storage.

You should have already reenciphered the disk copy of the PKDS under the new master key. The last PKDS name that you specified in the Output PKDS field on the Reencipher PKDS panel automatically appears in this field.

10. Press ENTER.

ICSF loads the data set into storage where it becomes operational on the system. ICSF also places the new master key into the master key register so it becomes active.

When you press ENTER, ICSF attempts to change the master key. It displays a message on the top of the panel. The message indicates either that the master key was changed successfully or that an error occurred that prevented the successful completion of the change process. For example, if you indicate a data set that is not reenciphered under the new master key, an error message displays and the master key is not changed.

11. When performing a local change master key, remember to change the name of the PKDS in the Installation Options Data Set.

## Performing a coordinated change master key

The coordinated change master key function simplifies the procedure for changing the master keys that are used by the CKDS and PKDS. Coordinated change master key may be performed on a single instance of ICSF, on a single-system sysplex, or on a multi-system sysplex.

A coordinated KDS change master key can be done by writing an application to invoke the Coordinated KDS Administration (CSFCRC) callable service. See [z/OS Cryptographic Services ICSF Application Programmer's Guide](#) for the description of the service.

### Symmetric master keys

To perform a coordinated CKDS change master key, all members of the sysplex (including sysplex members that are not configured with the same active CKDS) must be at the ICSF FMID HCR7790 level or later.

Before performing a coordinated refresh, you should consider temporarily disallowing dynamic CKDS updates on all sysplex members for the CKDS you are processing. For information on disabling dynamic CKDS updates, see [“Steps for enabling and disabling PKA callable services and Dynamic CKDS/PKDS access controls”](#) on page 98.

### Asymmetric master keys

To perform a coordinated PKDS change master key, all members of the sysplex (including sysplex members that are not configured with the same active CKDS) must be at the ICSF FMID HCR77A0 level or later.

Before performing a coordinated refresh, you should consider temporarily disallowing dynamic PKDS updates on all sysplex members for the PKDS you are processing. For information on disabling dynamic CKDS updates, see [“Steps for enabling and disabling PKA callable services and Dynamic CKDS/PKDS access controls”](#) on page 98

For the RSA master key, you need to use a TKE workstation to enter the new master key if any of your systems are IBM z9 or IBM z10 servers or an IBM z196 or z114 servers where all CEX3 coprocessors have licensed internal code older than September 2011. The ICSF Master Key Entry panels will automatically set new RSA master key loaded on coprocessors running on these systems. Coordinated change master key can only be performed when new master keys are loaded in the new master key register.

### Usage notes

- Reenciphering a large KDS (millions of records) may cause a temporary internal suspension of KDS update requests running in parallel. If you cannot tolerate a temporary suspension in your CKDS or PKDS workload and would prefer that update requests are failed instead of suspended, you should disallow dynamic CKDS or PKDS access prior to performing the coordinated KDS change master key.
- This procedure is only for reenciphering the active KDS. It is not for reenciphering archived or backup KDS copies that are not currently active.
- If you have a combination of cryptographic coprocessors installed in a sysplex environment, the ICSF instance configured with the cryptographic coprocessor containing the highest level of licensed internal code must initiate the coordinated change master key. If the coordinated change master key is not initiated by the ICSF instance containing the highest level of licensed internal code, the operation will fail.

### Steps to performing a coordinated KDS master key change

Before beginning this procedure, you must:



- Enter the key parts of the new master key that you want to replace the current master key into all coprocessors on your system. For information about how to do this procedure, see [“Entering master key parts” on page 99](#). The new master key register must be full when you change the master key.
- Create a new VSAM data set that will be used by coordinated change master key to place the reenciphered KDS entries. This data set must be allocated and empty and must contain the same data set attributes as the active KDS you are performing the coordinated change master key on. For more information about defining a CKDS or PKDS, see [z/OS Cryptographic Services ICSF System Programmer's Guide](#).

Optionally, you may:

- Create an additional VSAM data set to serve as a backup of the new, reenciphered, KDS. This data set must be allocated and empty and must contain the same data set attributes as the active KDS you are performing the coordinated change master key on.
- If you are planning to use the archive option, which is described next, determine a VSAM data set name to use for the archived KDS data set. This data set must not be allocated and must not exist on the system. For more information about defining a CKDS or PKDS, see [z/OS Cryptographic Services ICSF System Programmer's Guide](#).

To reencipher the KDS and change the master key:

1. Enter option 2, KDS MANAGEMENT, on the [“ICSF Primary Menu panel” on page 481](#) to access the Master key set or change, KDS processing panel.
2. The [“CSFMKM10 – Key Data Set Management panel” on page 485](#) is displayed.
  - Enter option 1 for CKDS MK Management and the CKDS Management panel appears: [“CSFMKM20 – CKDS Management panel” on page 485](#)
  - Enter option 2 for PKDS MK Management and the PKDS Management panel appears: [“CSFMKM30 – PKDS Management panel” on page 485](#)
3. Enter option 5 for COORDINATED CKDS CHANGE MK option on the CKDS or the PKDS Management menu panel and the Coordinated KDS Change master key panel appears:

```

CSFCRC20 ----- ICSF - Coordinated KDS change master key -----
To perform a coordinated KDS change master key, enter the KDS names below
and optionally select the rename option.

  KDS Type ==> CKDS
Active KDS ==> 'CSF.CKDS'
New KDS ==>
  Rename Active to Archived and New to Active (Y/N) ==> N
Archived KDS ==>
  Create a backup of the reenciphered KDS (Y/N) ==> N
Backup KDS ==>

Press ENTER to perform a coordinated KDS change master key.
Press END to exit to the previous menu.

```

In this example, CKDS was selected to perform the coordinated change master key. The KDS type is displayed in the **KDS Type** field. The active KDS is displayed in the **Active KDS** field.

- a. Enter the name of the new KDS in the **New KDS** field. This must be an empty and allocated VSAM data set containing the same data set attributes as the active KDS. The reenciphered keys are placed into this new data set to create the new KDS.
- b. Decide whether you want to have the new KDS renamed to match the name of the current active KDS. Having the new KDS renamed to match the name of the current active KDS simplifies KDS administration because you will not need to update the ICSF Options Data Set with the name of the new data set after the coordinated change master key completes.

- If you would like to have the new KDS renamed to match the name of the current active KDS:
    - i) Type Y in the **Rename Active to Archived and the New to Active ( Y / N )** field.
    - ii) Enter the name under which the currently active KDS will be archived in the **Archived KDS** field. This must be a VSAM data set name that is not allocated and does not exist on the system.
  - If you do not want to have the new KDS renamed to match the name of the current active KDS, type N in the **Rename Active to Archived and the New to Active ( Y / N )** field. Remember to change the name of the KDS in the Installation Options Data Set as described in the *z/OS Cryptographic Services ICSF System Programmer's Guide*. The KDS name must be changed in each cluster member's Installation Options Data Set after the coordinated KDS change master key function completes successfully. If the Installation Options Data Set is updated with a new KDS name and the coordinated change master key function fails, ICSF might be configured with an invalid KDS the next time it is restarted.
- c. Decide if you want to also create a backup copy of the newly enciphered KDS. This is an empty and allocated VSAM data set containing the same data set attributes as the active KDS. The reenciphered keys are placed into this data set to create the backup KDS.
4. Press ENTER to begin the coordinated change master key.
  5. A confirmation panel will be displayed, prompting you to verify that you want to continue with the coordinated change master key. Verify that the information on this confirmation panel is correct. If it is, type Y in the confirmation field provided and press ENTER.
 

The coordinated change master key function will be executed. This function will verify that all ICSF instances sharing the same active KDS are configured with the same New Master Key registers values. Additionally, it will verify that the KDS names specified for input are valid and are compatible with each other. The disk copy of the active KDS will be reenciphered under the new master keys to create the new KDS on disk and will create an in-storage copy of that new KDS. In a sysplex environment, the in-storage copy of the new KDS will be created for all ICSF instances that share the KDS.
  6. Verify the dialog results and correct any indicated failures or unexpected results.

## Recovering from a coordinated administration failure

This information describes how to use ICSF diagnostic information to recover from a coordinated administration failure.

The coordinated administration functions performs multiple steps to validate the environment, including verifying master key registers across the sysplex cluster and validating KDSs involved in the operation. If the environment is verified and meets criteria for the operation, then the initiating system of the coordinated administration function will attempt to coordinate the function across all members of the sysplex cluster (all ICSF instances sharing the same active KDS).

## Coordinated change master key and coordinated refresh messages

The coordinated refresh and coordinated change master key dialogs result in one or more dialog messages indicating the success or failure of the operation. In the case of a failure, there should be enough information in the dialog message to identify the problem. If there is not enough information in the dialog, you must use the ICSF job log to further identify the problem.

During coordinated change master key and coordinated refresh, a sequence of messages are written to the ICSF job log. CSFM622I messages are written to provide status for internal steps taken by the function. For example, one of the very first steps for a coordinated change master key operation is to make a copy of the in-storage KDS that will be used for the subsequent reencipher step. When this copy is made, the following CSFM622I message is written to the ICSF joblog.

```
CSFM622I COORDINATED CHANGE-MK PROGRESS: NEW IN-STORAGE KDS CONSTRUCTED.
```



If a failure occurs during coordinated change master key or coordinated refresh, failure messages are written to the ICSF job log that provide diagnostic information for determining the cause of the problem. Depending on how far the function is into processing, steps may be required to back out from the overall operation. CSFM622I messages are also used to provide status for back out steps. Additionally, all failure cases will end with the following CSFM616I message to provide further diagnostic information.

```
CSFM616I COORDINATED operation FAILED, RC=return-code RS=reason-code
        SUPRC=supplemental-return-code SUPRS=supplemental-reason-code
        FLAGS=flags.
```

An explanation of the return code and reason code provided in the CSFM616I message can be found in the "Return and Reason Codes" section of the [z/OS Cryptographic Services ICSF Application Programmer's Guide](#). The rest of the information in this message is IBM internal diagnostic information.

The sequence of messages written to the ICSF job log during a coordinated change master key and coordinated refresh should indicate how far along the function progressed, and, if a failure occurred, should include enough diagnostic information to determine the cause of the problem. Use the CSFM622I messages to determine how far along the function progressed before the failure. Then use the failure messages to determine why the problem occurred.

## New master key register mismatch

For a coordinated change master key, all sysplex cluster members must have their new master key registers pre-loaded with the same master key values. For coordinated CKDS change master key, one of either the DES or AES new master key registers must be pre-loaded, or both may be pre-loaded on all sysplex cluster members. For coordinated PKDS change master key, one of either the RSA or ECC new master key registers must be pre-loaded, or both may be pre-loaded on all sysplex cluster members. For coordinated TKDS change master key, the P11 or RCS new master key register must be pre-loaded and committed on all sysplex cluster members.

If a sysplex cluster member's new master key registers do not match the initiator's new master key registers, the following error message is displayed on the dialog. In this example, the coordinated CKDS change master key failed because the AES new master key register did not match on one of the sysplex cluster members systems.

```
THE AES NEW MASTER KEY REGISTERS ARE NOT CONSISTENT ACROSS ALL COPROCESSORS FOR
THE SYSPLEX SYSTEMS PARTICIPATING IN THIS OPERATION. THEY MUST BE THE SAME. THIS
ERROR WAS DETECTED ON A SYSTEM OTHER THAN THIS ONE.
```

In addition, the following message is written to the ICSF job log.

```
CSFM615I COORDINATED CHANGE-MK FAILED. NEW MASTER KEYS INCORRECT ON sysname.
        RC = return-code, RSN = reason-code.
```

To resolve this problem, the security administrator should compare all sysplex cluster members' new master key registers to ensure that they match the initiator's exactly. If a sysplex cluster member's new master key registers do not match, the security administrator should re-load them or clear them to match the values on the initiating system.

Additional information about the failure can be determined by looking up the return and reason codes in [z/OS Cryptographic Services ICSF Application Programmer's Guide](#).

## Cataloged failures

If any of these data sets are not cataloged, one of the following dialog messages will be displayed:

```
ICSF COULD NOT SUFFICIENTLY RESOLVE SYSTEM CATALOG INFORMATION FOR ONE OF THE
CURRENTLY ACTIVE OR NEW DATA SETS. REFER TO THE ICSF JOBLOG(S) FOR ADDITIONAL
INFO. IBM DIAGNOSTIC INFORMATION: RROPRC=0000000C RROPRSN=00000C2C SUPPRC=00000000
SUPPRSN=00000000 FLAGS=02800000
```

```
ICSF SUFFERED AN UNEXPECTED I/O ERROR REFERENCING OR UPDATING ONE OF THE ACTIVE,
NEW OR BACKUP DATA SETS. REFER TO THE ICSF JOBLOG(S) FOR ADDITIONAL INFO. IBM
```

```
DIAGNOSTIC INFORMATION: RROPRC=0000000C RROPRSN=00002740 SUPPRC=0000000C
SUPPRSN=00001790 FLAGS=41800000
```

In addition, a CSFM619I message, a CSFM623I message, or both messages will be written to the ICSF job log.

To correct this problem, make sure the necessary data sets are cataloged and retry the function.

## Mainline processing failure

If a coordinated change master key or coordinated refresh operation fails during one of its internal mainline processing steps, a dialog message will be displayed indicating the problem and a CSFM620I message will be written to the ICSF job log.

For example, when using the rename option, if the active KDS cannot be renamed to the archive data set name, the following dialog message will be displayed:

```
ICSF WAS UNABLE TO SUCCESSFULLY RENAME ONE OF THE ACTIVE DATA SET TO THE
ARCHIVE NAME, OR THE NEW DATA SET TO THE ACTIVE NAME. REFER TO THE ICSF
JOBLOG(S) FOR ADDITIONAL INFO. IBM DIAGNOSTIC INFORMATION: RROPRC=0000000C
RROPRSN=00000C3E SUPPRC=0000000C SUPPRSN=00000C3E FLAGS=41800000
```

In addition, the following message will be written to the ICSF job log:

```
CSFM620I COORDINATED CHANGE-MK MAINLINE PROCESSING FAILED BECAUSE THE ACTIVE DATA
SET CANNOT BE RENAMED TO THE ARCHIVE NAME.
```

To correct this problem the security administrator or system programmer should determine if there is a conflict with the archive data set name that caused the failure. The CSFM620I is also used for other internal mainline processing failures, such as if a problem occurs trying to load or process the target or backup data sets. For either case, the CSFM620I message should provide enough information for the security administrator or system programmer to further investigate the problem.

## Backout processing failure

If a failure occurs during mainline processing of a coordinated change master key or coordinated refresh, backout processing will attempt to undo any steps that have already completed in the operation.

A CSFM620I message will be written to the ICSF job log to indicate the mainline processing failure. Additionally backout processing messages will be written to the ICSF job log indicating the status of the backout.

If backout processing fails, a dialog message will indicate the problem. For example:

```
ICSF PROCESSING SUFFERED AN UNRECOVERABLE ERROR AND WAS FORCED TO SHUT
DOWN ACROSS PARTICIPATING SYSPLEX SYSTEMS TO AVOID A POTENTIAL INCONSISTENT
ENVIRONMENT. REFER TO THE ICSF JOBLOG(S) FOR ADDITIONAL INFO. IBM DIAGNOSTIC
INFORMATION: RROPRC=0000000C RROPRSN=0000C3E SUPPRC=0000000C SUPPRSN=00000C42
FLAGS=C5800000
```

A series of CSFM622I messages will be written to the ICSF joblog to track the status of the back out steps. If there is a failure during backout processing, a CSFM621I message will be written to the ICSF job log indicating the failure during backout processing.

When a failure in backout processing occurs, use the overall sequence of CSFM620I, CSFM621I, and CSFM622I messages to determine which step the function failed on, and which step failed during backout processing. For this situation, it is likely other messages listed in this section are also written to the ICSF job log to help determine the root cause of the problem.

## Set master key failure

If there was a problem setting the master key on either the initiating system or a target system of a coordinated change master key, a dialog message will indicate the failure and a CSFM625I message will be written to that system's ICSF job log.

For example, if the step for setting the AES master key fails, the following dialog message will be displayed:

```
A SET-MASTER-KEY ACTION FAILED ON THIS SYSTEM. REFER TO THE ICSF JOBLLOG(S) FOR
ADDITIONAL INFO.
```

The following message will be written to the ICSF job log for this failure.

```
CSFM625I SET AES MASTER KEY FAILED FOR COPROCESSOR SERIAL NUMBER 93X06032.
```

If this failure occurs on the initiating system, the entire change master key processes will be canceled and the target systems will not be affected by the operation. Check the status of the coprocessor with the serial number identified in the message to determine if it requires maintenance.

If this failure occurs on a target system, the initiating system and other target systems may have successfully changed their master key. If the initiating system has set the master key and completed the coordinated change master key, the active KDS is now enciphered under the new master key. Check the status of the coprocessor with the serial number identified in the message to determine if it requires maintenance. After the coprocessor's status is resolved, the target system must manually set the new master key value to remain in synch with the active KDS. For CKDS and PKDS, follow the steps in [“Reentering master keys when they have been cleared” on page 113](#) (Any CCA cryptographic coprocessor). For TKDS, follow the steps in [“Re-entering Master Keys after they have been cleared” on page 146](#).

## Back-level ICSF releases in the sysplex

The coordinated CKDS change master key and coordinated CKDS refresh functions are only available if all ICSF instances in the CKDS sysplex group are running ICSF FMID HCR7790 or later. If an ICSF instance at a level lower than ICSF FMID HCR7790 joins the sysplex group, a CSFM631I message (indicating all down-level systems) will be written to the ICSF job log and the operation will fail.

The coordinated PKDS change master key and coordinated PKDS refresh functions are only available if all ICSF instances in the PKDS sysplex groups are running ICSF FMID HCR77A0 or later. If an ICSF instance at a level lower than ICSF FMID HCR77A0 joins the sysplex group, a CSFM631I message (indicating all down-level systems) will be written to the ICSF job log and the operation will fail.

The coordinated TKDS change master key function is only available if all ICSF instances in the TKDS sysplex groups are running ICSF FMID HCR77A0 or later. If an ICSF instance at a level lower than ICSF FMID HCR77A0 joins the sysplex group, a CSFM631I message (indicating all down-level systems) will be written to the ICSF job log and the operation will fail.

To resolve this problem, all down-level systems must either be removed from the KDS sysplex group or upgraded to the required level or higher. If this is not possible, the coordinated change master key and coordinated refresh functions cannot be used. The local CKDS change master key, local CKDS refresh, local PKDS change master key, and local PKDS refresh can be used with ICSF instances running at supported FMID levels. The TKDS does not have a local change master key, local refresh, or coordinated refresh function.

## Rename failures

If there is a failure during the optional rename step of coordinated change master key or coordinated refresh, CSFM629I and CSFM630I messages will be written to the ICSF job log to indicate the reason for the failure.

The rename function uses the IDCAMS processor to perform the actual VSAM data set rename. CSFM629I messages are used to route IDCAMS processor messages to the ICSF job log when the IDCAMS processor fails to perform the rename. The CSFM629I messages contain the reason from the IDCAMS failure. These messages are followed by a CSFM630I message that indicates which data set name failed to be renamed to which new name.

ICSF KDS data sets are KDS VSAM data sets. They consist of three parts: a cluster name, an index name, and a data name. For example, if you use the sample JCL provided in the "Steps to create the CKDS"

section of the *z/OS Cryptographic Services ICSF System Programmer's Guide*, the cluster name, data name, and index name will be the following in order.

```
CSF.CSFCKDS
CSF.CSFCKDS.DATA
CSF.CSFCKDS.INDEX
```

When the rename option is selected, all three parts of the active KDS will be renamed to the archive name, and all three parts of the target KDS will be renamed to the active name. When renaming the data and index portions of a KDS VSAM data set, the suffix format of the original data set is maintained. For example, if the preceding data set names are used for the active CKDS, and the archive data set name is specified as CSF.CSFCKDS.ARC, the three portions of the active CKDS will be renamed to:

```
CSF.CSFCKDS.ARC
CSF.CSFCKDS.ARC.DATA
CSF.CSFCKDS.ARC.INDEX
```

In the case of a failure during rename processing, the coordinated function will attempt to back out and rename the data sets back to their original names. If the back out fails, you may end up with a partially renamed data set. This can be easily corrected by performing an IDCAMS ALTER from JCL.

Whenever a rename failure occurs, scan the ICSF job log of the initiating system for CSFM629I and CSFM630I messages. These messages will indicate which data set part failed during rename and if backout processing was able to rename the data set back to its original name. If backout processing was able to rename back to the original name, check the catalog for the data set name that failed to be used for rename. Most likely you have a conflict with the archive data set name and need to either rename existing data sets in your catalog or choose a different archive name.

If backout processing failed to rename your data set back to the original name, use ISPF to confirm that the data set parts match up with what is reported in the CSFM629I and CSFM630I messages.

For example, if during a coordinated CKDS change master key operation, the active CKDS cluster name is successfully renamed to the archive name, but the data portion fails to be renamed, backout processing begins. If backout processing fails to rename the data set back to the original active CKDS name, ICSF will shut down all instances in the sysplex CKDS cluster because the active CKDS name is only half renamed. In this scenario, the following set of messages may be reported in the ICSF job log.

```
CSFM618I CKDS DATA SET CSF.CSFCKDS RENAMED TO CSF.CSFCKDS.ARC
CSFM629I IDCAMS SYSTEM SERVICES TIME: 13:35:12 06/07/11
CSFM629I
CSFM629I ALTER CSF.CSFCKDS.DATA -
CSFM629I NEWNAME(CSF.CSFCKDS.ARC.DATA )
CSFM629I IDC3013I DUPLICATE DATA SET NAME
CSFM629I IDC3009I ** VSAM CATALOG RETURN CODE IS 8 - REASON CODE IS IGG0CLE6-8
CSFM629I IDC0532I **ENTRY CSF.CSFCKDS.DATA NOT ALTERED
CSFM629I IDC0001I FUNCTION COMPLETED, HIGHEST CONDITION CODE WAS 8
CSFM629I
CSFM629I IDC0002I IDCAMS PROCESSING COMPLETE. MAXIMUM CONDITION CODE WAS 8
CSFM630I CKDS RENAME FAILED: CSF.CSFCKDS.DATA TO CSF.CSFCKDS.ARC.DATA
CSFM629I IDCAMS SYSTEM SERVICES TIME: 13:35:18 06/07/11
CSFM629I
CSFM629I ALTER CSF.CSFCKDS.ARC -
CSFM629I NEWNAME(CSF.CSFCKDS )
CSFM629I IDC3013I DUPLICATE DATA SET NAME
CSFM629I IDC3009I ** VSAM CATALOG RETURN CODE IS 8 - REASON CODE IS IGG0CLE6-8
CSFM629I IDC0532I **ENTRY CSF.CSFCKDS.ARC NOT ALTERED
CSFM629I IDC0001I FUNCTION COMPLETED, HIGHEST CONDITION CODE WAS 8
CSFM629I
CSFM629I IDC0002I IDCAMS PROCESSING COMPLETE. MAXIMUM CONDITION CODE WAS 8
CSFM630I CKDS RENAME FAILED: CSF.CSFCKDS.ARC TO CSF.CSFCKDS
CSFM620I COORDINATED CHANGE-MK MAINLINE PROCESSING FAILED BECAUSE THE ACTIVE DATA SET
CANNOT BE RENAMED TO THE ARCHIVE NAME.
CSFM622I COORDINATED CHANGE-MK PROGRESS: BACKOUT IS BEING DRIVEN BY MAINLINE.
CSFM629I IDCAMS SYSTEM SERVICES TIME: 13:35:24 06/07/11
CSFM629I
CSFM629I ALTER CSF.CSFCKDS.ARC -
CSFM629I NEWNAME(CSF.CSFCKDS )
CSFM629I IDC3013I DUPLICATE DATA SET NAME
CSFM629I IDC3009I ** VSAM CATALOG RETURN CODE IS 8 - REASON CODE IS IGG0CLE6-8
CSFM629I IDC0532I **ENTRY CSF.CSFCKDS.ARC NOT ALTERED
```

```

CSFM629I IDC0001I FUNCTION COMPLETED, HIGHEST CONDITION CODE WAS 8
CSFM629I
CSFM629I IDC0002I IDCAMS PROCESSING COMPLETE. MAXIMUM CONDITION CODE WAS 8
CSFM630I CKDS RENAME FAILED: CSF.CSFCKDS.ARC TO CSF.CSFCKDS
CSFM621I COORDINATED CHANGE-MK BACK OUT PROCESSING FAILED BECAUSE THE ARCHIVE DATA SET
CANNOT BE RENAMED TO THE ACTIVE NAME.
CSFM621I COORDINATED CHANGE-MK BACK OUT PROCESSING FAILED BECAUSE ICSF IS UNABLE TO
RELIABLY RESTORE THE ORIGINAL ACTIVE KDS.
CSFM622I COORDINATED CHANGE-MK PROGRESS: CANCELING CORE WORK.
CSFM616I COORDINATED CHANGE-MK FAILED, RC=0000000C RS= 00000C3E SUPRC= 0000000C SUPRS=
00000C42 FLAGS= C5800000.
CSFU006I CHANGE-MK FEEDBACK: CC=0000000C RSN=00000C3E SUPPRC=0000000C SUPPRSN=00000C42
FLAGS=C5800000.
CSFM308I MEMBER XXX REPORTED REMOVED FROM SYSPLEX GROUP SYSICSF.
CSFM308I MEMBER XXX REPORTED REMOVED FROM SYSPLEX GROUP SYSICSF.
CSFM401I CRYPTOGRAPHY - SERVICES ARE NO LONGER AVAILABLE.

```

This sequence of messages indicates that the active CKDS name of CSF.CSFCKDS was renamed to CSF.CSFCKDS.ARC. Then, the CSF.CSFCKDS.DATA data portion of the active CKDS failed to be renamed to CSF.CSFCKDS.DATA.ARC because another data set in the catalog was already using this name. At this point, the coordinated CKDS change master key function tried to back out and rename the cluster portion of the CKDS from CSF.CSFCKDS.ARC back to its original name of CSF.CSFCKDS. However the renaming failed because another data set with name CSF.CSFCKDS now exists in the catalog. The result is a half renamed active CKDS which causes ICSF to shut down across the CKDS sysplex cluster.

The first step to resolving this problem is to confirm in ISPF that the following data set names reported in the messages do exist:

```

CSF.CSFCKDS.ARC
CSF.CSFCKDS.DATA
CSF.CSFCKDS.INDEX

```

Once this is confirmed, the next step is to rename the cluster name back to the original name manually by calling IDCAMS ALTER from JCL. Before doing that, the messages indicate that back out processing already failed to rename the cluster name back because another data set is now using that name. The data set that has taken that name should be renamed to a different name as this name is needed to restore the active CKDS.

Once the cluster name conflict has been resolved, issue IDCAMS ALTER from JCL to rename the CSF.CSFCKDS.ARC cluster name back to the original active CKDS name of CSF.CSFCKDS.

For example:

```

//DEFINE EXEC PGM=IDCAMS,REGION=4M
//SYSPRINT DD SYSOUT=*
//SYSIN DD *
  ALTER CSF.CSFCKDS.ARC -
    NEWNAME(CSF.CSFCKDS)
/*

```

ICSF may be restarted on all instances that were previously taken down. Processing should resume as normal and the coordinated CKDS change master key with rename option may be issued again with an archive data set name that does not have a conflict in the catalog.

## Adding cryptographic coprocessors after initialization

You may need to initialize coprocessors after system initialization.

**Note:** If you used the Pass Phrase Initialization (PPINIT) utility to initialize your system, use the utility to added coprocessors. See [“Steps for adding a CCA coprocessor after first time Pass Phrase Initialization” on page 91.](#)

This is the procedure:

1. Load the new master key register with the current master key values using the ICSF Master Key Entry panel (see [“Steps for entering the first master key part” on page 105](#)) or the TKE workstation.

2. When the new master key register is loaded, SET the master key. Enter option 2, KDS MANAGEMENT, on the ICSF Primary Menu panel to access the Key Data Set Management panel: [“ICSF Primary Menu panel” on page 481](#)

The [“CSFMKM10 – Key Data Set Management panel” on page 485](#) appears.

3. Choose option 4, SET MK.

The master keys will be set if the verification pattern of the new master key register matches the MKVP in the key data sets. All new master key registers that match will be set.

## Clearing master keys

---

For security reasons, your installation may need to clear the master keys. This may be required, for example, prior to turning the processor hardware over for maintenance.

If you have a TKE workstation, you can use it to zeroize all domains that have keys loaded. Refer to [z/OS Cryptographic Services ICSF TKE Workstation User's Guide](#) for more information.

If you do not have a TKE workstation, you might want to consider nullifying the master keys. To do this you would need to enter new master keys for the master key you have loaded, reencipher a dummy CKDS and PKDS, and change the master keys. You would need to perform this operation twice to ensure that the master keys are cleared from the old master key register.

You can also use the zeroize function on the Support Element panel. Besides clearing the master keys, this also clears all domains and installation data.

---

## Chapter 9. Managing PKCS #11 master keys

This topic describes how to manage master keys for Enterprise PKCS #11 (EP11) coprocessors and regional cryptographic servers.

- For Enterprise PKCS #11, a master key is used to protect all secure PKCS #11 keys that are active on your system. This master key is known as the P11 master key or P11-MK.
- For regional cryptographic services, an RCS-MK master key is used to protect RCS keys that are active on your system. The RCS-MK must be loaded using your RCS vendor utility supplied with the regional cryptographic server.

Because master key protection is essential to the security of the other keys, master keys are only stored within the hardware of the cryptographic coprocessor or regional cryptographic server. This nonvolatile key storage area is unaffected by system power outages because it has a battery backup or is stored to flash memory. The values of the master keys never appear in the clear outside the hardware of the cryptographic coprocessor or regional cryptographic server.

A TKE workstation is required to load key parts for the P11 master key. Unlike the CCA coprocessors, this cannot be done using ICSF alone. Be prepared to switch between your TKE workstation and your ICSF host session. For more information, see [z/OS Cryptographic Services ICSF TKE Workstation User's Guide](#).

**Important:** The master keys are loaded into the new master key register. The utilities described in this topic require the master key to be in the new master key register. Newer versions of the TKE workstation allow the master keys to be set from the TKE workstation. This option must not be used for a coprocessor or domain that is visible to ICSF. Setting the master keys from the TKE workstation may result in the loss of the cryptographic function of that coprocessor or domain.

### New master key automatically set when ICSF started

ICSF automatically sets new master key registers when ICSF is started if the current master key does not match the MKVP in the TKDS. The check of the new master key registers is made every time ICSF is started.

The following conditions must be true:

- The new master key register must be full (full committed).
- The master key verification pattern (MKVP) of the new master key register must match the MKVP in the header of the TKDS.

---

## Entering master key parts using the TKE workstation

P11 master key parts are loaded using smart cards only. You may enter up to 20 master keys parts.

### Note:

1. If your ICSF instance (single system or LPAR image) is using multiple EP11 coprocessors, they must have the same master key. Therefore, the new master key registers in all EP11 coprocessors must contain the same value.
2. If you are reentering master keys after they have been cleared, use the same master key part values as when you originally entered the keys.

---

## First time use of Enterprise PKCS #11 keys

ICSF PKCS #11 services may be utilized for clear key operations both with and without a TKDS. To use secure PKCS #11 keys, a TKDS is required. The first time you intend to use secure PKCS #11 services, you must load a P11-MK and initialize a new, empty TKDS or update your existing, clear key only TKDS. For information on creating an empty TKDS, see [z/OS Cryptographic Services ICSF System Programmer's](#)



*Guide.* When you initialize/update the TKDS, ICSF creates a header record for the TKDS, installs the required P11-MK key pattern in the TKDS, and sets the master key. All secure PKCS #11 keys stored in the TKDS are enciphered under the P11-MK. (Note, the TKDS may contain both clear and secure keys, if desired.) After the master key has been set, you can generate or enter any keys you need to perform secure PKCS #11 cryptographic functions.

To begin, load the P11 new master key register using the TKE workstation. If you intend to have multiple instances of ICSF sharing the same active TKDS in a sysplex environment, you can define an EP11 domain group on the TKE workstation to load the same P11-MK in all domains used by all ICSF instances that will share the same active TKDS. After loading the new P11 master key, commit the new P11 master key using the TKE workstation.

After the P11 new master key register has been loaded and committed, the TKDS must be initialized. TKDS initialization is only required the first time the P11 new master key register is loaded. When sharing the TKDS in a sysplex environment, TKDS initialization should be performed on each ICSF instance sharing the TKDS. Optionally, after you initialize a TKDS on one ICSF instance, you can then share it with other ICSF instances that are configured with the same P11 master key value, by simply starting up or restarting the other ICSF instances.

## Initialize or update the TKDS

If running in a sysplex, see [Chapter 12, “Running in a Sysplex Environment,”](#) on page 155.

At this point, the new P11 master key register on each EP11 coprocessor available to this ICSF instance must be in the FULL COMMITTED state. If running in a Sysplex, the new P11 master key register in each domain sharing the TKDS should also be FULL COMMITTED with the same master key parts. You must now initialize a new (or update the existing) TKDS, thus activating the P11-MK.

1. From the ICSF Primary Menu, select option 2, KDS MANAGEMENT.

```
HCR77C0 ----- Integrated Cryptographic Service Facility -----
OPTION ===>

Enter the number of the desired option.

  1  COPROCESSOR MGMT   -  Management of Cryptographic Coprocessors
  2  KDS MANAGEMENT   -  Master key set or change, KDS processing
  3  OPSTAT             -  Installation options
  4  ADMINCNTL         -  Administrative Control Functions
  5  UTILITY            -  ICSF Utilities
  6  PPINIT            -  Pass Phrase Master Key/KDS Initialization
  7  TKE               -  TKE PKA Direct Key Load
  8  KGUP              -  Key Generator Utility processes
  9  UDX MGMT          -  Management of User Defined Extensions
```

*Figure 38. Selecting KDS MANAGEMENT on the ICSF primary menu panel*

2. The Key Data Set Management panel appears. Select option 3, TKDS MK MANAGEMENT.

```
CSFMKM10 ----- ICSF - Key Data Set Management -----
OPTION ===>

Enter the number of the desired option.

  1  CKDS MK MANAGEMENT - Perform Cryptographic Key Data Set (CKDS)
                             functions including master key management
  2  PKDS MK MANAGEMENT - Perform Public Key Data Set (PKDS)
                             functions including master key management
  3  TKDS MK MANAGEMENT - Perform PKCS #11 Token Data Set (TKDS)
                             functions including master key management
  4  SET MK              - Set master key
```

*Figure 39. Selecting TKDS MK MANAGEMENT on the Key Data Set Management panel*



3. The TKDS Master Key Management panel appears. Select option 1, INIT/UPDATE TKDS. This causes ICSF to update the header record of the active TKDS and set the master key. No additional sub-panels are shown.

```
CSFMKM40 ----- ICSF - TKDS Master Key Management -----  
OPTION ==>  
  
Enter the number of the desired option.  
  
 1 INIT/UPDATE TKDS - Initialize the active TKDS or update the header of  
                       the active TKDS  
 2 COORDINATED TKDS CHANGE MK - Perform a coordinated TKDS master key change  
 3 COORDINATED TKDS CONVERSION - Convert the TKDS to use KDSR record format
```

*Figure 40. Selecting INIT/UPDATE TKDS on the Key Data Set Management panel*

4. When ICSF completes, the message INITIALIZATION COMPLETE appears. If you did not enter a master key into the new master key register previously, the message NMK REGISTER NOT FULL COMMITTED appears and the initialization process ends.

**Note:** If any part of the option 1 fails, you may need to reload the new master key register before starting over.

After you complete the entire process, the P11-MK is activated for the ICSF host system that you initiated this from. You may now start using secure PKCS #11 services. If running in a Sysplex, all instances of ICSF on other systems sharing the TKDS must perform TKDS initialization as well or must be restarted before they can start using secure PKCS #11 services.

## Changing the Master Key

If running in a sysplex, see [Chapter 12, “Running in a Sysplex Environment,”](#) on page 155.

For security reasons your installation should change the master keys periodically. In addition, if the master keys have been cleared, you may also want to change the master keys after you reenter the cleared master keys.

### **Note for P11-MK:**

1. If running in a Sysplex, all ICSF instances sharing the TKDS must be at ICSF FMID HCR77A0 or higher in order to change the P11-MK, even if these systems are not using secure PKCS #11 services.
2. If your ICSF instance is using multiple coprocessors, they must have the same master key. When you change the master key in one coprocessor, you should change the master key in the other coprocessors. Therefore, to reencipher a TKDS under a new master key, the new master key registers in all Enterprise PKCS #11 coprocessors must contain the same value.
3. Changing the P11-MK can only be performed by the coordinated change master key function. All ICSF instances sharing the TKDS will have their P11 master keys changed during this process. The P11 new master key registers in each domain for each coprocessor sharing the TKDS must be loaded from TKE with the same value.

### **Note for RCS-MK:**

1. If running in a sysplex, all ICSF instances sharing the TKDS must be running at the ICSF FMID HCR77B1 APAR OA49069 level or higher in order to change the RCS-MK, even if these systems are not using regional cryptographic services.
2. If your ICSF instance is using multiple RCS devices, they must be at the RCS generation 2 level or later and have the same master key. When you change the master key in one device, you should change the master key in the other devices. Therefore, to reencipher a TKDS under a new master key, the new master key registers in all regional cryptographic servers must contain the same value.
3. Changing the RCS-MK can only be performed by the coordinated change master key function. All ICSF instances sharing the TKDS will have their RCS master keys changed during this process. The RCS new master key register for each active RCS device sharing the TKDS must be loaded with the same value from your RCS vendor utility.

To begin, load the new P11 master key using the TKE workstation and P11 master key parts stored on smart cards or load the new RCS master key using your RCS vendor utility. Then commit the new P11 or RCS master key using the TKE workstation or your RCS vendor utility. For more information, see [z/OS Cryptographic Services ICSF TKE Workstation User's Guide](#).

Create a new VSAM data set in which the reenciphered keys will be placed when creating the new reenciphered TKDS. This data set must be allocated and empty, and must contain the same data set attributes as the active TKDS. For more information about defining a TKDS, see [z/OS Cryptographic Services ICSF System Programmer's Guide](#).

Optionally, you may:

- Create an additional VSAM data set to serve as a backup of the new, reenciphered, KDS. This data set must be allocated and empty, and must contain the same data set attributes as the active KDS you are performing the coordinated change master key on.
- If you are planning to use the archive option, determine a VSAM data set name to use for the archived TKDS data set. This data set must not be allocated and must not exist on the system. For more information about defining a TKDS, see [z/OS Cryptographic Services ICSF System Programmer's Guide](#).

1. From the ICSF Primary Menu, select option 2, KDS MANAGEMENT.

```
HCR77C0 ----- Integrated Cryptographic Service Facility -----
OPTION ==>

Enter the number of the desired option.

 1 COPROCESSOR MGMT - Management of Cryptographic Coprocessors
 2 KDS MANAGEMENT  - Master key set or change, KDS processing
 3 OPSTAT           - Installation options
 4 ADMINCNTL       - Administrative Control Functions
 5 UTILITY         - ICSF Utilities
 6 PPINIT          - Pass Phrase Master Key/KDS Initialization
 7 TKE             - TKE PKA Direct Key Load
 8 KGUP           - Key Generator Utility processes
 9 UDX MGMT       - Management of User Defined Extensions
```

*Figure 41. Selecting KDS Management on the ICSF primary menu panel*

2. The Key Data Set Management panel appears. Select option 3, TKDS MK MANAGEMENT.

```
CSFMKM10 ----- ICSF - Key Data Set Management -----
OPTION ==>

Enter the number of the desired option.

 1 CKDS MK MANAGEMENT - Perform Cryptographic Key Data Set (CKDS)
                       functions including master key management
 2 PKDS MK MANAGEMENT - Perform Public Key Data Set (PKDS)
                       functions including master key management
 3 TKDS MK MANAGEMENT - Perform PKCS #11 Token Data Set (TKDS)
                       functions including master key management
 4 SET MK              - Set master key
```

*Figure 42. Selecting TKDS MK MANAGEMENT on the Key Data Set Management panel*

3. The TKE Key Data Set Management panel appears. Select option 2, COORDINATED TKDS CHANGE MK.

```

CSFMKM40 ----- ICSF - TKDS Master Key Management -----
OPTION ==>

Enter the number of the desired option.

 1 INIT/UPDATE TKDS - Initialize the active TKDS or update the header of
                       the active TKDS
 2 COORDINATED TKDS CHANGE MK - Perform a coordinated TKDS master key change
 3 COORDINATED TKDS CONVERSION - Convert the TKDS to use KDSR record format

```

Figure 43. Selecting COORDINATED TKDS CHANGE MK on the Key Data Set Management panel

4. The Coordinated KDS change master key panel is displayed.

```

----- ICSF - Coordinated KDS change master key -----

To perform a coordinated KDS change master key, enter the KDS names below
and optionally select the rename option.

  KDS Type ==> TKDS
  Active KDS ==> 'CSF.TKDS'
  New KDS ==>

    Rename Active to Archived and New to Active (Y/N) ==> N
    Archived KDS ==>

    Create a backup of the reenciphered KDS (Y/N) ==> N
    Backup KDS ==>

Press ENTER to perform a coordinated KDS change master key.
Press END to exit to the previous menu.

```

Figure 44. Coordinated KDS change master key panel

The KDS type (TKDS) is displayed in the KDS Type field. The active TKDS is displayed in the Active KDS field.

- a. Enter the name of the new TKDS in the New KDS field. This is an empty and allocated VSAM data set containing the same data set attributes as the active TKDS. The reenciphered keys will be placed into this new data set to create the new TKDS.
- b. Decide if you want to have the new TKDS renamed to match the name of the current active TKDS. Having the new TKDS renamed to match the name of the current active TKDS simplifies TKDS administration, because you will not need to update the ICSF Options Data Set with the name of the new data set after the TKDS is reenciphered.

If you would like to have the new TKDS renamed to match the name of the current active TKDS:

- a. Type Y in the Rename Active to Archived and the New to Active (Y / N) field.
- b. Enter the name under which the currently active TKDS will be archived in the Archived KDS field. This must be a VSAM data set name that is not allocated and does not exist on the system.

If you do not want to have the new TKDS renamed to match the name of the current active TKDS, type N in the Rename Active to Archived and the New to Active (Y / N) field. Remember to change the name of the TKDS in the Installation Options Data Set as described in the [z/OS Cryptographic Services ICSF System Programmer's Guide](#).

- c. Decide if you want to also create a backup copy of the newly enciphered TKDS. This is an empty and allocated VSAM data set containing the same data set attributes as the active TKDS. The reenciphered keys will be placed into this data set to create the backup TKDS.
5. Press ENTER to begin the coordinated change master key. This will reencipher the disk copy of the active TKDS under the new master keys to create the new TKDS on disk. This will also create an in-storage copy of that new TKDS and activate (set) the new P11, RCS, or both P11 and RCS master keys

on the Enterprise PKCS #11 coprocessors, regional cryptographic servers, or Enterprise PKCS #11 coprocessors and regional cryptographic servers.

6. A confirmation panel will be displayed, prompting you to verify that you want to continue with the coordinated change master key. Verify that the information on this confirmation panel is correct. If it is, type Y in the confirmation field provided and press ENTER.

The coordinated change master key function will be executed. When ICSF completes, the message CHANGE MK SUCCESSFUL appears. In the case of a failure, see [“Recovering from a coordinated administration failure” on page 134](#) for assistance in resolving failures.

**Note:**

- a. In a sysplex environment, the in-storage copy of the new TKDS will be created (and new P11 master key activated) for all ICSF instances that share the same active TKDS.
- b. For more information about the coordinated change master key function, see [“Coordinated change master key and coordinated refresh utilities” on page 155](#).

## Re-entering Master Keys after they have been cleared

---

In these situations, the Enterprise PKCS #11 coprocessor clears the master key registers so that the master key values are not disclosed:

- If the coprocessor detects tampering (the intrusion latch is tripped), ALL installation data is cleared: master keys and (optionally) all installed administrators.
- If the coprocessor detects tampering (the secure boundary of the card is compromised), it self-destructs and can no longer be used.
- If you issue a command from the TKE workstation to zeroize a domain or the entire cryptographic feature.
- If you issue a command from the Support Element panel to zeroize the entire cryptographic feature.

For situations when the regional cryptographic server would clear the RCS master key, consult your RCS vendor documentation.

Although the values of the master keys are cleared, the secure keys in the TKDS are still enciphered under the cleared P11 or RCS master key. Therefore, to recover these secure keys, you must reenter the same master keys and activate the P11-MK or RCS-MK. For security reasons, you may then want to change all the master keys.

**Note:** A TKE workstation is required to load key parts for the P11 master key. See [“Entering master key parts using the TKE workstation” on page 141](#) and the *z/OS Cryptographic Services ICSF TKE Workstation User's Guide* for details.

## Setting the Master Key

After the master keys have been cleared, reenter the same master keys by following these steps:

1. Load the new P11 master key using the TKE workstation or your new RCS master key using your RCS vendor utility.
2. Commit the new P11 master key using the TKE workstation or your new RCS master key using your RCS vendor utility.
3. To activate the P11, RCS, or both P11 and RCS master keys you just entered, you need to set it. On the ICSF Primary Menu panel, select option 2, KDS MANAGEMENT.

```

HCR77C0 ----- Integrated Cryptographic Service Facility -----
OPTION ==>

Enter the number of the desired option.

 1 COPROCESSOR MGMT - Management of Cryptographic Coprocessors
 2 KDS MANAGEMENT - Master key set or change, KDS processing
 3 OPSTAT           - Installation options
 4 ADMINCNTL       - Administrative Control Functions
 5 UTILITY          - ICSF Utilities
 6 PPINIT          - Pass Phrase Master Key/KDS Initialization
 7 TKE             - TKE PKA Direct Key Load
 8 KGUP            - Key Generator Utility processes
 9 UDX MGMT        - Management of User Defined Extensions

```

*Figure 45. Selecting KDS MANAGEMENT on the ICSF primary menu panel*

4. The Key Data Set Management panel appears. To set the P11, RCS, or both P11 and RCS master keys, select option 4, SET MK.

```

CSFMKM10 ----- ICSF - Key Data Set Management -----
OPTION ==>

Enter the number of the desired option.

 1 CKDS MK MANAGEMENT - Perform Cryptographic Key Data Set (CKDS)
                       functions including master key management
 2 PKDS MK MANAGEMENT - Perform Public Key Data Set (PKDS)
                       functions including master key management
 3 TKDS MK MANAGEMENT - Perform PKCS #11 Token Data Set (TKDS)
                       functions including master key management
 4 SET MK              - Set master key

```

*Figure 46. Selecting SET MK on the Key Data Set Management panel*

After you select option 4, ICSF checks that the states of the registers are correct. ICSF then transfers the P11, RCS, or both P11 and RCS master keys from the new master key register to the current master key register. This process sets the master key. When ICSF attempts to set the master key, it displays a message on the top right of the Key Data Set Management panel. The message indicates either that the master key was successfully set or that an error prevented the completion of the set process.

You can now change the P11, RCS, or both master key or keys, if you choose to, for security reasons. Continue with [“Changing the Master Key”](#) on page 143.



---

## Chapter 10. CCA compliance

Beginning with the Crypto Express6, a CCA coprocessor can be configured in a compliance mode. When running in a compliance mode, the specific requirements of that mode govern how the coprocessor can be administered and used. The compliance boundary is at a domain level. Therefore, the coprocessor can be configured such that compliance applies to some domains and not others.

A domain must be available in compliance mode in order for compliant-tagged key tokens to be used. Though a domain can be configured in a compliance mode, it is still possible to run non-compliant workloads within that domain. Only workloads that have been migrated to use compliant-tagged key tokens must be compliant. A discussion of compliant-tagged key tokens can be found in [\*z/OS Cryptographic Services ICSF Application Programmer's Guide\*](#).

There is a special sub-mode of compliance mode called migration mode. The purpose of migration mode is to migrate an existing key population to be compliant-tagged key tokens. When a domain is placed in migration mode, compliant-tagged key tokens cannot be used within that domain. This means that if compliant-tagged key tokens are to be used during this period, at least one other coprocessor must be available in compliance mode. After the migration is complete, the coprocessor can be taken out of migration mode.

Before the migration of key tokens, it is recommended that the installation enables compliance warnings. This function generates compliance warning events in the form of SMF records if workloads are using non-compliant keys or non-compliant operations. Attempts to migrate a non-compliant key fails. Migrating a key that is used in a non-compliant operation causes a failure when that key is used. For more information on migrating workloads to be compliant, see [\*z/OS Cryptographic Services ICSF System Programmer's Guide\*](#).

Requests that contain compliant-tagged key tokens must be processed on a CEX6C or later coprocessor. As a result, if the installation also includes CCA coprocessors at a lower level, there may be an imbalance in requests across the various CCA coprocessors.

A TKE workstation is required to change the mode of a coprocessor. For more information, see [\*z/OS Cryptographic Services ICSF TKE Workstation User's Guide\*](#).

### PCI-HSM 2016

A domain can be configured in PCI-HSM 2016 compliance mode. When a domain is configured in PCI-HSM 2016 mode, the requirements of the PCI-HSM v3.0 (June 2016) specification are applied to that domain.

**Note:** The following restrictions apply to PCI-HSM 2016 domains:

- Clear Master Key Entry from the ICSF panels is not allowed. New master keys must be loaded from the TKE workstation.
- The passphrase initialization utility is not allowed. New master keys must be loaded from the TKE workstation. After that, the ICSF panels can be used to initialize your CDKS or PKDS and set the master keys.
- There are restrictions on the use of compliant-tagged key tokens. For more information, see [\*z/OS Cryptographic Services ICSF Application Programmer's Guide\*](#).





---

# Chapter 11. Key management on systems without coprocessors

The CKDS can be used to manage clear AES and DES DATA keys on a system that does not have any cryptographic coprocessors or accelerators.

## Initializing the CKDS at first-time startup

---

There are three formats of the CKDS. All formats are supported for systems without coprocessors.

- A fixed length record format supported by all releases of ICSF.
- A variable length record format supported by ICSF FMID HCR7780 and later releases.
- A common variable length record format (KDSR) supported by ICSF FMID HCR77A1 and later releases.

A CKDS is not required in order to use ICSF. However, by defining and initializing a CKDS, secure CCA symmetric key functions are available, and ICSF can be used to manage CCA symmetric key tokens in the CKDS. When you initialize a CKDS, you can copy the disk copy of the CKDS to create other CKDSs for use on the system. You can also use a CKDS from another ICSF system.

At any time, you can read a different disk copy into storage. For information about how to read a disk copy into storage, see [“CKDS refresh” on page 153](#).

A CKDS initialized on a system without coprocessors cannot be used with a system with coprocessors. ICSF will terminate during initialization and issue the CSFM128E message if you attempt to start ICSF with a CKDS that was initialized on a system without coprocessors. The CKDS cannot be updated to support systems with coprocessors.

## Steps for initializing a CKDS

1. From the ICSF Primary Menu, select option 2, KDS MANAGEMENT.

```
HCR77C0 ----- Integrated Cryptographic Service Facility -----  
OPTION ==>  
  
Enter the number of the desired option.  
  
 1 COPROCESSOR MGMT - Management of Cryptographic Coprocessors  
 2 KDS MANAGEMENT - Master key set or change, KDS processing  
 3 OPSTAT           - Installation options  
 4 ADMINCNTL       - Administrative Control Functions  
 5 UTILITY          - ICSF Utilities  
 6 PPINIT          - Pass Phrase Master Key/KDS Initialization  
 7 TKE              - TKE PKA Direct Key Load  
 8 KGUP            - Key Generator Utility processes  
 9 UDX MGMT        - Management of User Defined Extensions
```

*Figure 47. Selecting KDS MANAGEMENT on the ICSF primary menu panel*

2. The Key Data Set Management panel appears. Select option 1, CKDS MK MANAGEMENT.

```

CSFMKM10 ----- ICSF - Key Data Set Management -----
OPTION ==>

Enter the number of the desired option.

 1 CKDS MK MANAGEMENT - Perform Cryptographic Key Data Set (CKDS)
   functions including master key management
 2 PKDS MK MANAGEMENT - Perform Public Key Data Set (PKDS)
   functions including master key management
 3 TKDS MK MANAGEMENT - Perform PKCS #11 Token Data Set (TKDS)
   functions including master key management
 4 SET MK               - Set master key

```

Figure 48. Selecting CKDS MK MANAGEMENT on the Key Data Set Management panel

3. The CKDS Management panel appears. Select option 1, CKDS OPERATIONS.

```

CSFMKM20 ----- ICSF - CKDS Management -----
OPTION ==> 1

Enter the number of the desired option.

 1 CKDS OPERATIONS - Initialize a CKDS, activate a different CKDS,
   (Refresh), or update the header of a CKDS and make
   it active
 2 REENCIPHER CKDS - Reencipher the CKDS prior to changing a symmetric
   master key
 3 CHANGE SYM MK   - Change a symmetric master key and activate the
   reenciphered CKDS
 4 COORDINATED CKDS REFRESH - Perform a coordinated CKDS refresh
 5 COORDINATED CKDS CHANGE MK - Perform a coordinated CKDS change master key
 6 COORDINATED CKDS CONVERSION - Convert the CKDS to use KDSR record format
 7 CKDS KEY CHECK   - Check keys in the active CKDS for format errors

```

Figure 49. Selecting CKDS OPERATIONS on the CKDS Management panel

4. The CKDS Operations panel appears. In the CKDS field, enter the name of the empty VSAM data set that was created to use as the disk copy of the CKDS.

- The name you enter can be the same name that is specified in the CKDSN keyword option in the installation options data set. For information about creating a CKDS and specifying the CKDS name in the installation options data set, see *z/OS Cryptographic Services ICSF System Programmer's Guide*.

Select option 1, Initialize an empty CKDS.

```

CSFCKD20 ----- ICSF - CKDS Operations -----
COMMAND ==>

Enter the number of the desired option.

 1 Initialize an empty CKDS
 2 REFRESH - Activate an updated CKDS
 3 Update an existing CKDS
 4 Update an existing CKDS and activate master keys
 5 Refresh and activate master keys

Enter the name of the CKDS below.

CKDS ==>

```

Figure 50. The CKDS Operations panel

ICSF creates the header record in the disk copy of the CKDS and refreshes the CKDS.

When ICSF completes all these steps, the message INITIALIZATION COMPLETE appears.

## CKDS refresh

When you initialize a CKDS for the first time, you can copy the disk copy of the CKDS to create other CKDSs for the system. You can use the dynamic CKDS update callable services to add or update the disk copy of the current in-storage CKDS. For information on using the dynamic CKDS callable services, refer to the z/OS Cryptographic Services ICSF Application Programmer's Guide.

Refreshing to the same CKDS or a different CKDS in the sysplex can be done using the Coordinated CKDS Refresh utility. All members of the sysplex sharing the CKDS will load the specified CKDS and make it the active CKDS. See [“Performing a coordinated CKDS refresh” on page 122](#) for additional information.

The CKDS can be refreshed on a single system using the local CKDS Refresh utility. The utility can be invoked from the ICSF panels or using the CSFEUTIL. See [“Performing a local CKDS refresh” on page 121](#).

A coordinated CKDS refresh can be done by writing an application to invoke the Coordinated KDS Administration (CSFCRC) callable service. See [“Performing a coordinated CKDS refresh” on page 122](#) for more information.

## Callable services

These callable services can be used on a system without coprocessors with an initialized CKDS. The key management services can only be used to manage clear keys, encrypted keys cannot be managed in this configuration.

- Key Data Set List (CSFKDSL)
- Key Data Set Metadata Read (CSFKDMR)
- Key Data Set Metadata Write (CSFKDMW)
- Key Record Create (CSNBKRC) and Key Record Create2 (CSNBKRC2)
- Key Record Delete (CSNBKRD)
- Key Record Read (CSNBKRR) and Key Record Read2 (CSNBKRR2)

Key Record Read will not return a clear key token to the caller unless the caller is in supervisor state or system key.

- Key Record Write (CSNBKRW) and Key Record Write2 (CSNBKRW2)

These services support labels for the key identifier:

- Field Level Decipher (CSNBFLD)
- Field Level Encipher (CSNBFLE)
- Symmetric Key Decipher (CSNBSYD)
- Symmetric Key Encipher (CSNBSYE)
- Symmetric MAC Generate (CSNBMSG)
- Symmetric MAC Verify (CSNBMSV)

These services do not require a coprocessor:

- Key Token Build (CSNBKTB)
- Key Token Build2 (CSNBKTB2)
- MDC Generate (CSNBMDG)
- One Way Hash (CSNBOWH)
- Random Number Generate (CSNBRNG)
- Random Number Generate Long (CSNBRNGL)



---

## Chapter 12. Running in a Sysplex Environment

ICSF is supported in a SYSPLEX environment. The CKDS, PKDS, and TKDS can be shared across systems in a sysplex.

To share a CKDS, PKDS, or TKDS between all systems in the sysplex, specify the data set name on the CKDSN, PKDSN, or TKDSN keyword option and specify either SYSPLEXCKDS(YES), SYSPLEXPKDS(YES), or SYSPLEXTKDS(YES) in your ICSF installation options data set. Failure to specify SYSPLEXCKDS(YES), SYSPLEXPKDS(YES), or SYSPLEXTKDS(YES) when you are sharing a CKDS, PKDS, or TKDS can result in damage to the CKDS, PKDS, or TKDS. For a description of the keywords, see 'Parameters in the installation options data set' in *z/OS Cryptographic Services ICSF System Programmer's Guide*.

To use a different CKDS, PKDS, or TKDS for a subset of systems in the sysplex, you must choose unique CKDS, PKDS, or TKDS names for each CKDS, PKDS, or TKDS. When running with multiple catalogs within a sysplex, the CKDS, PKDS, and TKDS can be shared only if they are on the same volume. If you have separate CKDS, PKDS, or TKDS for subsets of systems in the sysplex (each subset with its own catalog), you must give the CKDS, PKDS, or TKDS a unique data set name within the sysplex. If you have multiple CKDSs, PKDSs, or TKDSs cataloged in separate catalogs, but with the same data set name, ICSF processing of that KDS can result in loss or damage to the key material in the CKDSs, PKDSs, or TKDSs.

This topic discusses sharing and managing key data sets and managing master keys in a sysplex.

---

### Sysplex communication level

There are several communication protocols for sysplex support for the key data set. ICSF uses the level protocol of the lowest release of ICSF of the systems that are sharing a particular key data set. The newer protocols provide performance enhancements for update processing in a sysplex environment.

For the coordinated administration utilities, the minimum level is 2. This is the level that was introduced in ICSF FMID HCR7790 for the CKDS and in ICSF FMID HCR77A0 for the PKDS and TKDS. All systems in the sysplex, regardless of their active key data set, must be at the minimum level or higher in order for ICSF to use this new protocol.

To determine what protocol ICSF is using, check the ICSF job log for the following message:

```
CSFM639I ICSF COMMUNICATION LEVEL FOR CKDS CHANGED FROM 0 TO 3.
```

If you are using ICSF FMID HCR77B1 or later, the DISPLAY ICSF operator command can be used to display current communication level.

```
D ICSF,KDS
CSFM668I 11.18.28 ICSF KDS 534
CKDS ISFTTEST.SHERID.CKDSNEW
FORMAT=KDSR COMM LVL=3 SYSPLEX=Y MKVPs=DES AES
PKDS ISFTTEST.SHERID.PKDSNEW
FORMAT=KDSR COMM LVL=3 SYSPLEX=Y MKVPs=RSA ECC
TKDS ISFTTEST.SHERID.TKDSNEW
FORMAT=KDSR COMM LVL=3 SYSPLEX=Y MKVPs=P11 RCS
```

**Note:** The ICSF communication protocol is not configurable. ICSF determines the communication protocol internally based on the ICSF instances that have joined the sysplex group. See the CSFM639I message description in *z/OS Cryptographic Services ICSF Messages* for details.

---

### Coordinated change master key and coordinated refresh utilities

There are utilities that coordinate key data set refreshes and master key changes across sysplex members sharing the same active key data set. The coordinated administration functions simplify key data set management by automating the manual process for performing local refreshes and local master key changes. Although a sysplex environment is not required to use these functions, sysplex environments

gain the maximum benefit from them when the changes are coordinated across all LPARs sharing the same active key data set.

The utilities are initiated from a single ICSF LPAR. This LPAR drives the operation across the sysplex by using sysplex messaging to other members sharing the same active key data set. Only one coordinated administration function may be performed at a time.

## Coordinated KDS refresh

The coordinated KDS refresh utility, for the CKDS and PKDS only, drives the initiating system to send sysplex messages to all sysplex members sharing the same active key data set, instructing them to either refresh their in-store key data set copy of the active key data set, or refresh their in-store key data set copy to a new key data set. Performing a coordinated refresh to a new key data set results in the new key data set becoming the active key data set for all sysplex members in this key data set sysplex cluster.

## Coordinated KDS change master key

**Important:** The master keys are loaded into the new master key register. The coordinated KDS change master key utility that is described in this section requires the master key to be in the new master key register and not set. Newer versions of the TKE workstation allow the master keys to be set from the TKE workstation. This utility fails if the master key is not in the new master key register.

The coordinated KDS change master key utility, for the CKDS, PKDS, and TKDS, reenciphers the active key data set disk-copy to a new key data set using the master key values into the new master key registers. Before performing the coordinated change master key function, you must load the new master key registers.

For CKDS, the coordinated change master key utility can be used to change the DES master key, the AES master key, or both.

For PKDS, the coordinated change master key utility can be used to change the RSA master key, the ECC master key, or both.

For TKDS, the coordinated change master key utility is the only function available for changing the P11 and RCS master keys. It can be used to change the P11 master key, the RCS master key, or both.

After reenciphering the active key data set disk-copy, the initiating system will send sysplex messages to the other members sharing the same active key data set to inform them to re-load their in-store key data set from the new reenciphered key data set. Next, the initiating system sets the master keys for the new master key registers and make the new key data set the active key data set.

Finally, the initiating system sends sysplex messages to the other members of the key data set sysplex cluster to inform them to set their master keys for the new master key registers and to make the new key data set their active key data set.

## Dynamic KDS update controls

When performing a coordinated change master key on the CKDS, PKDS, or TKDS, it is not required to disable dynamic KDS updates within the sysplex while performing a coordinated change master key. This is an enhancement over the local master key change functions, for which disallowing dynamic KDS update services is recommended.

During a coordinated change master key, dynamic key data set update requests are routed to, and processed by, the ICSF instance that initiated the coordinated change master key. The initiator processes dynamic key data set updates against the active key data set during the coordinated change master key. When the initiating system has reenciphered the key data set, and before it coordinates the key data set master key change across the sysplex, there is a brief suspension to dynamic KDS update processing. During this brief suspension, dynamic key data set updates that were processed by the initiator are applied to the new reenciphered key data set.

If you cannot tolerate a temporary suspension of dynamic KDS update services in your workload while processing a coordinated change master key and would prefer that update requests are failed instead, you should disallow dynamic KDS access prior to performing coordinated change master key.

During a coordinated TKDS change master key, all PKCS #11 session objects are reenciphered on all members of the TKDS sysplex cluster. The PKCS #11 session objects are reenciphered after the TKDS records are reenciphered and right before the new P11 or RCS master key value is set during the temporary suspensions of dynamic TKDS update services.

For a coordinated CKDS and PKDS refresh, dynamic KDS update processing is internally suspended by the initiator until the coordinated refresh completes. However, IBM still recommends that you disallow dynamic access prior to performing a coordinated refresh.

## Key store policy

If a Key Store Policy is defined on the active CKDS, the active PKDS, or both the active CKDS and PKDS, it will continue to be used on the new CKDS and the new PKDS after a coordinated change master key or coordinated refresh completes. The TKDS does not have a Key Store Policy.

## Initializing ICSF for the first time in a sysplex

---

### CCA

The CCA master keys must be loaded and the CKDS and PKDS must be initialized before your CCA applications can run on your sysplex. Detailed procedures are given in the sections on the CKDS and PKDS management. These are the general procedures used to set up ICSF for the first time in a sysplex.

### Using the TKE workstation or master key entry panels

You can select the master keys you want to use with your applications when using the TKE workstation or the Master Key Entry panels.

1. Start ICSF on all LPARs in your sysplex. All LPARs should be using the same installation options data set.
2. Load the new master key registers for the master keys you are going to use on all LPARs. This can be done by using the ICSF Master Key Entry panels or the TKE workstation.
3. Initialize your CKDS and PKDS on one LPAR.
4. On all other LPARs, you can stop and start ICSF. This will load the initialized key data sets and set the master keys and your coprocessors will be active and available for work.

**Note:** While the key data sets have been initialized on the first LPAR, the in-store copy of the key data sets on the other LPARs in the sysplex have not be refreshed and the header record is not in the in-store copies. Stopping and starting ICSF reloads the key data sets and sets the master keys.

### Using pass phrase initialization utility

You can use the Pass phrase Initialization utility (PPINIT) to initialize the CKDS and PKDS and load all the CCA master keys available on your system. You use PPINIT to initialize the CKDS and PKDS on one LPAR and use the pass phrase and initialized CKDS and PKDS to load the master keys on the remaining LPARs.

1. Start ICSF in the first LPAR and follow the instructions in [Chapter 7, “Using the pass phrase initialization utility,”](#) on page 87.
2. Once the first LPAR has been successfully initialized, start ICSF in the other LPARs that are sharing the same CKDS and PKDS.
3. From each LPAR that is sharing the same CKDS and PKDS, go to the Pass Phrase Initialization panel. See [“Steps for reinitializing a system”](#) on page 91.
  - a. Enter the same pass phrase as entered on the first LPAR.
  - b. Select 'Reinitialize System'.

- c. Enter the same CKDS name and PKDS name as entered on the first LPAR.

## PKCS #11

The TKDS must be initialized before your PKCS #11 applications can be run on your sysplex and the P11 or RCS master keys must be loaded for PKCS #11 secure key applications. Detailed procedures are given in the sections on the TKDS management. These are the general procedures used to set up ICSF for the first time in a sysplex.

1. Start ICSF on all LPARs in your sysplex. All LPARs should be using the same installation options data set.
2. Load the new P11 master key registers for the master keys you are going to use on all LPARs using the TKE workstation or load the new RCS master key using your RCS vendor utility.
3. Initialize your TKDS on one LPAR.
4. On all other LPARs, you can stop and start ICSF. This will set the master keys and your coprocessors will be active and available for work.

**Note:** While the key data sets have been initialized on the first LPAR, the in-store copy of the key data sets on the other LPARs in the sysplex have not be refreshed and the header record is not in the in-store copies. Stopping and starting ICSF reloads the key data sets and sets the master keys.

## CKDS management in a sysplex

---

ICSF may share the same active CKDS across multiple LPARs on the same zSeries server or across LPARs on different zSeries servers. All ICSF instances sharing the same active CKDS must have the same symmetric master keys installed.

It is not required that all ICSF instances share their active CKDS across a sysplex. It is also not required that all ICSF instances in a sysplex be configured with the same active CKDS. Each system may have its own master keys and its own active CKDS. A sysplex may have a combination of ICSF instances that share their active CKDS and ICSF instances that do not share their active CKDS.

In a sysplex environment, a set of ICSF instances all sharing the same active CKDS can be described as a CKDS sysplex cluster. Other ICSF instances configured with different active CKDSs can join the same sysplex group to create multiple CKDS sysplex clusters.

It is not required for each of the ICSF instances sharing the same active CKDS to be configured with the same DOMAIN. Cryptographic Coprocessor DOMAINS may be split up across LPARs all sharing the same active CKDS.

The CKDS can be refreshed using these utilities:

- Local CKDS Refresh – Refreshes the in-storage copy of the specified CKDS on the LPAR where it is initiated. See [“Performing a local CKDS refresh” on page 121](#) or [Chapter 20, “Using the ICSF Utility Program CSFEUTIL,” on page 439](#).
- Coordinated CKDS refresh – Refreshes the in-storage copy of the specified CKDS on all members of the sysplex sharing the CKDS. See [“Performing a coordinated CKDS refresh” on page 122](#).

When sharing the CKDS, a few precautions should be observed:

- Dynamic CKDS services update the DASD copy of the active CKDS and the in-storage copy on the system where it is run. The SYSPLEXCKDS option in the ICSF installation options data set provides consistent sysplex-wide update of the DASD copy of the active CKDS and the in-storage copies of the active CKDS for all members of the sysplex sharing the same active CKDS. If SYSPLEXCKDS(YES,FAIL(xxx)) is specified in the installation options data set, sysplex messages will be issued to sysplex members configured with the same active CKDS. The messages will inform them of the CKDS update and request them to update their in-storage CKDS copy. If SYSPLEXCKDS(NO,FAIL(xxx)) is specified in the installation options data set, sysplex messages will not be sent to sysplex members for CKDS updates. When configured this way, either a coordinated refresh or a local CKDS refresh must be performed to load the updates into ICSF's in-storage copy of the CKDS.



- If multiple sysplexes share a CKDS, or if a sysplex and other non-sysplex systems share a CKDS, there is no provision for an automatic update of the in-storage copies of the CKDS on the systems that are not in the same sysplex as the system initiating the CKDS update. When configured this way, either a coordinated CKDS refresh or a local CKDS refresh will be required on the systems that are sharing the same active CKDS, but are not in the same sysplex as the initiating system in order to update the in-storage copy on each system.
- If KGUP is used to update the active CKDS, the update is only made to the DASD copy of the CKDS. Either a coordinated CKDS refresh or a local CKDS refresh must be performed to load the updates into ICSF's in-storage copy of the CKDS.
- There are three formats of the CKDS. Sysplex members must be running an ICSF FMID that supports the format being shared.
  - Fixed-length record format supported by all releases of ICSF.
  - Variable-length record format supported by ICSF FMID HCR7780 and later releases.
  - Common variable-length format record (KDSR) supported by ICSF FMID HCR77A1 and later releases.

## Setting symmetric master keys for the first time when sharing a CKDS in a sysplex environment

Setting symmetric master keys for the first time in a sysplex environment can be accomplished using:

- The optional TKE workstation (Group of coprocessors and/or group of domains function). See [z/OS Cryptographic Services ICSF TKE Workstation User's Guide](#) for more information.
- Master Key Entry panels.
- The pass phrase initialization utility (PPINIT).

Before setting symmetric master keys for the first time in a sysplex environment, you will need to allocate an empty CKDS. For information about defining a CKDS, see [z/OS Cryptographic Services ICSF System Programmer's Guide](#).

Once you have allocated an empty CKDS, all LPARs that will share this CKDS must update their ICSF options data set to use this CKDS as their active CKDS. On the first LPAR that starts ICSF, you will load the symmetric master keys, initialize the CKDS, and set the symmetric master keys. On all other LPARs that will share the same active CKDS, you will only load the same master keys, refresh the CKDS, and then set the master key. You will only initialize the CKDS once from the first LPAR.

### Using the TKE workstation or master key entry panels

Master key entry may be used to set master keys in a sysplex environment.

1. Load your master keys in the first LPAR as described in [“Entering master key parts” on page 99](#) or use the TKE workstation.
2. Initialize the CKDS from the first LPAR as described in [“Steps for initializing a CKDS” on page 116](#).
3. For all remaining LPARs, load the master keys and do one of the following:
  - Stop and start ICSF.
  - Refresh the CKDS using the local CKDS refresh utility and set the master keys using the SET MK utility.
  - Use the local Symmetric change master key utility.
  - Use the Refresh and activate master key option on CKDS Operations panel on each LPAR.

### Using pass phrase initialization utility

The Pass Phrase Initialization utility can be used to set the CCA master keys and initialize the CKDS and PKDS in a sysplex environment.

1. Start ICSF in the first LPAR and follow the instructions in [Chapter 7, “Using the pass phrase initialization utility,” on page 87](#).

2. Once the first LPAR has been successfully initialized, start ICSF in the other LPARs that are sharing the same active CKDS.
3. From each LPAR that is sharing the same active CKDS, go to the Pass Phrase Initialization panel and:
  - a. Enter the same pass phrase as entered on the first LPAR.
  - b. Select 'Reinitialize System'.
  - c. Enter the same CKDS name and PKDS name as entered on the first LPAR.

These steps will load and set the same master keys as in the first LPAR and activate the same CKDS.

## Updating the CKDS with additional master keys in a sysplex environment

When you add a new master key to your system for your applications, you need to update the key data set so keys can be added to the key data set and ICSF knows the new master key is required for coprocessor activation.

The master keys are loaded into the new master key register. The utilities described in this section require that the master key be in the new master key register. Newer versions of the TKE workstation allow the master keys to be set from the TKE workstation. The Update Key Data Set utilities will fail if the master key is not in the new master key register.

The procedure to update a key data set in a sysplex:

1. Load the new master key register for the missing master key. The missing master key must be loaded on all active coprocessors on all members of the sysplex sharing the key data set.
2. On one system, update the header record of the key data sets for the master keys you are adding. See [“CKDS” on page 119](#).
3. After the CKDS has been updated and the master key set on the first system, set the new master key on the remaining systems by using option 5, 'Refresh and activate master keys', on the CKDS Operations panel. See [“CKDS” on page 119](#).

## Refreshing the CKDS in a sysplex environment

Refreshing to the same CKDS or a different CKDS in the sysplex can be done using the Coordinated CKDS Refresh utility. All members of the sysplex sharing the CKDS will load the specified CKDS and make it the active CKDS. See [“Performing a coordinated CKDS refresh” on page 122](#) for additional information.

The CKDS can be refreshed in a sysplex using the local CKDS Refresh utility. The utility must be run individually on each LPAR in the sysplex, either from the ICSF panels or using the CSFEUTIL utility. See [“Performing a local CKDS refresh ” on page 121](#) for additional information.

## Changing symmetric master keys in a sysplex environment

Changing the master keys consists of:

1. Loading the new master key registers on all coprocessors on all member of the sysplex sharing the active CKDS.
2. Allocating a new CKDS.
3. Reenciphering the CKDS.
4. Setting the master keys and making the reenciphered CKDS the active CKDS.

Changing the master keys in a sysplex can be done by using the coordinated CKDS change master key utility. After loading the new master keys and allocating the new CKDS, the utility is initiated on one LPAR and all members of the sysplex sharing the CKDS will participate. The CKDS will be reenciphered on the initiating LPAR, all members will refresh to the reenciphered CKDS, and set the master keys. See [“Symmetric master keys and the CKDS” on page 127](#) for additional information.

Changing the master keys in a sysplex using the local change symmetric master key utility is more complicated. See [“Steps for reenciphering the CKDS and performing a local symmetric master key change” on page 128](#) for additional information.

1. Load the new master keys.
2. Allocate a new CKDS.
3. Reencipher the CKDS on one LPAR using the REENCIPHER CKDS utility.
4. Change the master keys on all LPARs individually using the CHANGE SYM MK utility.

## PKDS management in a sysplex

---

The systems sharing a PKDS may be different LPARs on the same zSeries server or different systems across multiple zSeries servers. The only requirement for sharing the PKDS is that the same asymmetric master keys be installed on all systems sharing that PKDS. It is not required to share the PKDS across a sysplex. Each system may have its own asymmetric master keys and its own PKDS. A sysplex may have a combination of systems that share a PKDS and individual systems with separate PKDSs.

In a sysplex environment, a set of ICSF instances all sharing the same active PKDS can be described as a PKDS sysplex cluster. Other ICSF instances configured with different active PKDSs can join the same sysplex group to create multiple PKDS sysplex clusters.

It is not required for each ICSF instances sharing the same active PKDS to be configured with the same DOMAIN. Cryptographic Coprocessor DOMAINS may be split up across LPARs all sharing the same active PKDS.

The PKDS can be refreshed using these utilities:

- Local PKDS Refresh – Refreshes the in-storage copy of the specified PKDS on the system where it is initiated. See [“Performing a local PKDS refresh”](#) on page 124 or Chapter 21, [“Using the ICSF Utility Program CSFPUTIL,”](#) on page 449.
- Coordinated PKDS refresh – Refreshes the in-storage copy of the specified PKDS on all members of the sysplex sharing the PKDS. See [“Performing a coordinated PKDS refresh”](#) on page 124.

When sharing the PKDS, a few precautions should be observed:

- Dynamic PKDS services update the DASD copy of the active PKDS and the in-storage copy on the system where it is run. The SYSPLEXPKDS option in the ICSF installation options data set provides consistent sysplex-wide update of the DASD copy of the active PKDS and the in-storage copies of the active PKDS for all members of the sysplex sharing the same active PKDS. If SYSPLEXPKDS(YES,FAIL(xxx)) is specified in the installation options data set, sysplex messages will be issued to sysplex members configured with the same active PKDS. The messages will inform them of the PKDS update and request them to update their in-storage PKDS copy. If SYSPLEXPKDS(NO,FAIL(xxx)) is specified in the installation options data set, sysplex messages will not be sent to sysplex members for PKDS updates. When configured this way, either a coordinated refresh or a local refresh must be performed to load the updates into ICSF's in-storage copy of the PKDS.
- If multiple sysplexes share a PKDS, or if a sysplex and other non-sysplex systems share a PKDS, there is no provision for an automatic update of the in-storage copies of the PKDS on the systems that are not in the same sysplex as the system initiating the PKDS update. When configured this way, either a coordinated PKDS refresh or a local PKDS refresh will be required on the systems that are sharing the same active PKDS, but are not in the same sysplex as the initiating system in order to update the in-storage copy on each system.
- The PKDS must be initialized for PKA callable services to be enabled. Use the TSO panels to initialize a new PKDS.
- There are two formats of the PKDS. Sysplex members must be running an ICSF FMID that supports the format being shared:
  - Variable-length record supported by all releases of ICSF.
  - Common variable-length format record (KDSR) supported by ICSF FMID HCR77A1 and later releases.

## Setting asymmetric master keys for the first time when sharing a PKDS in a sysplex environment

Setting asymmetric master keys for the first time in a sysplex environment can be accomplished using:

- The optional TKE workstation (Group of coprocessors and/or group of domains function). See [z/OS Cryptographic Services ICSF TKE Workstation User's Guide](#) for more information.
- Master Key Entry panels.
- The pass phrase initialization utility (PPINIT).

Before setting asymmetric master keys for the first time in a sysplex environment, you will need to allocate an empty PKDS. For information about defining a PKDS, see [z/OS Cryptographic Services ICSF System Programmer's Guide](#).

Once you have allocated an empty PKDS, all LPARs that will share this PKDS must update their ICSF options data set to use this PKDS as their active PKDS. On the first LPAR that starts ICSF, you will load the asymmetric master keys, initialize the PKDS, and set the asymmetric master keys. On all other LPARs that will share the same active PKDS, you will only load the same master keys and then set the master key. You should only initialize the PKDS once from the first LPAR that started ICSF.

### Using the TKE workstation or master key entry panels

Master key entry may be used to set master keys in a sysplex environment.

1. Load your master keys in the first LPAR as described in [“Entering master key parts” on page 99](#) or use the TKE workstation.
2. Initialize the PKDS from the first LPAR as described in [“Steps for initializing the PKDS” on page 117](#).
3. For all remaining LPARs, load the master keys and do one of the following:
  - Stop and start ICSF.
  - Refresh the PKDS using the local PKDS refresh utility and set the master keys using the SET MK utility.
  - Use the local symmetric change master key utility.
  - Use the refresh and activate master key option on PKDS Operations panel on each LPAR.

### Using pass phrase initialization utility

The pass phrase initialization utility can be used to set the CCA master keys and initialize the CKDS and PKDS in a sysplex environment.

1. Start ICSF in the first LPAR and follow the instructions in [Chapter 7, “Using the pass phrase initialization utility,” on page 87](#).
2. Once the first LPAR has been successfully initialized, start ICSF in the other LPARs that are sharing the same active PKDS.
3. From each LPAR that is sharing the same active PKDS, go to the Pass Phrase Initialization panel and:
  - a. Enter the same pass phrase as entered on the first LPAR.
  - b. Select 'Reinitialize System'.
  - c. Enter the same CKDS name and PKDS name as entered on the first LPAR.

These steps will load and set the same master keys as in the first LPAR and activate the same PKDS.

## Updating the PKDS with additional master keys in a sysplex environment

When you add a new master key to your system for your applications, you need to update the key data set so keys can be added to the key data set and ICSF knows the new master key is required for coprocessor activation.

The master keys are loaded into the new master key register. The utilities described in this section require the master key to be in the new master key register. Newer versions of the TKE workstation allow the master keys to be set from the TKE workstation. The Update Key Data Set utilities will fail if the master key is not in the new master key register.

The procedure to update a key data set in a sysplex:

1. Load the new master key register for the missing master key. The missing master key must be loaded on all active coprocessors on all members of the sysplex sharing the key data set.
2. On one system, update the header record of the key data sets for the master keys you are adding. See [“PKDS” on page 119](#).
3. After the PKDS has been updated and the master key set on the first system, set the new master key on the remaining systems by using option 5, 'Refresh and activate master keys', on the PKDS Operations panel. See [“PKDS” on page 119](#).

## Refreshing the PKDS in a sysplex environment

Refreshing to the same PKDS or a different PKDS in the sysplex can be done using the Coordinated PKDS Refresh utility. All members of the sysplex sharing the PKDS will load the specified PKDS and make it the active PKDS. See [“Performing a coordinated PKDS refresh” on page 124](#) for additional information.

The PKDS can be refreshed in a sysplex using the local PKDS Refresh utility. The utility must be run individually on each LPAR in the sysplex, either from the ICSF panels or using the CSFPUTIL utility. See [“Performing a local PKDS refresh ” on page 124](#) for additional information.

## Changing asymmetric master keys in a sysplex environment

Changing the master keys consists of:

1. Loading the new master key registers on all coprocessors on all member of the sysplex sharing the active PKDS.
2. Allocating a new PKDS.
3. Reenciphering the PKDS.
4. Setting the master keys and making the reenciphered PKDS the active PKDS.

Changing the master keys in a sysplex can be done by using the coordinated PKDS change master key utility. After loading the new master keys and allocating the new PKDS, the utility is initiated on one LPAR and all members of the sysplex sharing the PKDS will participate. The PKDS will be reenciphered on the initiating LPAR, all members will refresh to the reenciphered PKDS, and sets the master keys. See [“Asymmetric master keys and the PKDS” on page 130](#) for additional information.

Changing the master keys in a sysplex using the local change symmetric master key utility is more complicated. See [“Steps for reenciphering the PKDS and performing a local asymmetric master key change” on page 130](#) for additional information.

1. Load the new master keys.
2. Allocate a new PKDS.
3. Reencipher the PKDS on one LPAR using the REENCIPHER PKDS utility.
4. Change the master keys on all LPARs individually using the CHANGE ASYM MK utility.

### Notes for the RSA master key

If your system is an IBM z9 or IBM z10 server or an IBM z196 or z114 where all CEX3 coprocessors have licensed internal code older than September 2011:

- The PKA callable services control will be active on your system. It will appear on the Administrative Control Functions panel.

- The RSA master key will be set when the final key part is loaded on the Master Key Entry panel. The master key will be in the current master key register. The PKA callable services control must be disabled to load the RSA master key.
- The coordinated PKDS change master key utility can be used if the RSA master key is loaded using the TKE workstation. The RSA master key should not be set using the TKE workstation. The change master key utility will set the master key.

If your system is an IBM z196 or z114 where there is a CEX3 coprocessor with September 2011 or newer licensed internal code or your system is an IBM zEC12, zBC12, or later server:

- The PKA callable services control will not be active on your system. It will not appear on the Administrative Control Functions panel.
- The RSA master key will not be set when the final key part is loaded on the Master Key Entry panel. The master key will be in the new master key register.

## TKDS management in a sysplex

The systems sharing a TKDS may be different LPARs on the same zSeries server or different systems across multiple zSeries servers. It is not required to share the TKDS across a sysplex. Each system may have its own TKDS. A sysplex may have a combination of systems that share a TKDS and individual systems with separate TKDSs. There is no requirement that the DOMAINS must be the same to share a TKDS.

In a sysplex environment, a set of ICSF instances all sharing the same active TKDS can be described as a TKDS sysplex cluster. Other ICSF instances configured with different active TKDSs can join the same sysplex group to create multiple TKDS sysplex clusters.

When sharing the TKDS, a few precautions should be observed:

- Dynamic TKDS services update the DASD copy of the active TKDS and the in-storage copy on the system where it is run. The SYSPLEXTKDS option in the ICSF installation options data set provides consistent sysplex-wide update of the DASD copy of the active TKDS and the in-storage copies of the active TKDS for all members of the sysplex sharing the same active TKDS. If SYSPLEXTKDS(YES,FAIL(xxx)) is specified in the installation options data set, sysplex messages will be issued to sysplex members configured with the same active TKDS. The messages will inform them of the TKDS update and request them to update their in-storage TKDS copy. If SYSPLEXTKDS(NO,FAIL(xxx)) is specified in the installation options data set, sysplex messages will not be sent to sysplex members for TKDS updates.
- If multiple sysplexes share a TKDS, or if a sysplex and other non-sysplex systems share a TKDS, there is no provision for an automatic update of the in-storage copies of the TKDS on the systems which are not in the same sysplex as the system initiating the TKDS update.
- There are two formats of the TKDS. Sysplex members must be running an ICSF FMID that supports the format being shared.
  - Variable-length record supported by all releases of ICSF.
  - Common variable-length format record (KDSR) supported by ICSF FMID HCR77A1 and later releases.

## Setting the PKCS #11 master key for the first time when sharing a TKDS in a sysplex environment

Setting the P11 master key for the first time in a sysplex environment can only be accomplished using the TKE workstation (Group of coprocessors and/or group of domains function). See [z/OS Cryptographic Services ICSF TKE Workstation User's Guide](#) for more information about TKE.

For instructions on how to set the P11 master keys for the first time when sharing a TKDS in a sysplex environment, refer to [“First time use of Enterprise PKCS #11 keys” on page 141 in Chapter 9, “Managing PKCS #11 master keys,” on page 141.](#)

Setting the RCS master key for the first time in a sysplex environment can only be accomplished using your RCS vendor utility.



## Changing PKCS #11 master keys when the TKDS is shared in a sysplex environment

ICSF coordinates TKDS master key changes across sysplex members sharing the same active TKDS. The master key change is initiated from a single ICSF instance. This instance will drive the operation across the sysplex using sysplex messaging to other members sharing the same active TKDS.

A Coordinated TKDS change master key will reencipher the active TKDS disk-copy to a new TKDS using the master key values that have been pre-loaded into the new master key registers. Before performing the coordinated TKDS change master key function, you must use the TKE to load the new P11 master key registers or your RCS vendor utility to load the new RCS master key.

After reenciphering the active TKDS disk-copy, the initiating system will send sysplex messages to the other members sharing the same active TKDS, informing them to re-load their in-store TKDS from the new reenciphered TKDS. Next, the initiating system will set the P11, RCS, or both master key or keys for the new master key registers that have been pre-loaded and make the new TKDS the active TKDS. Finally, the initiating system will send sysplex messages to the other members of their TKDS sysplex cluster, informing them to set their P11, RCS, or both P11 and RCS master keys for the new master key registers that have been pre-loaded and to make the new TKDS their active TKDS.

During a coordinated TKDS master key change, dynamic TKDS update requests will be routed to, and processed by, the ICSF instance that initiated the coordinated TKDS master key change. The initiator will process dynamic TKDS updates against the active TKDS during the coordinated TKDS change master key. When the initiating system has reenciphered the TKDS, and before it coordinates the TKDS master key change across the sysplex, there is a brief suspension to dynamic TKDS update processing. During this brief suspension, dynamic TKDS updates that were processed by the initiator are applied to the new reenciphered TKDS.

### Notes:

1. It is not necessary to be in a sysplex to perform a coordinated TKDS change master key. The procedure to change the P11, RCS, or both P11 and RCS master keys on single system images is identical to that of a sysplex environment.
2. In order to perform a coordinated TKDS change master key:
  - If the TKDS does not contain RCS keys, all systems sharing the TKDS within the sysplex must be at ICSF FMID HCR77A0 or later. The system initiating the coordinated TKDS change master key must have at least one active Enterprise PKCS #11 coprocessor.
  - If the TKDS contains a RCS MKVP, all systems sharing the TKDS within the sysplex must be at ICSF FMID HCR77B1 with PTF OA49069 level or later and must have at least one active Enterprise PKCS #11 coprocessor or regional cryptographic server.

See [Chapter 9, “Managing PKCS #11 master keys,” on page 141](#) for information on how to perform a coordinated TKDS change master key.





---

## Chapter 13. Managing Cryptographic Keys Using the Key Generator Utility Program

The key generator utility program (KGUP) generates and maintains keys in the cryptographic key data set (CKDS). The CKDS stores DATA keys, MAC keys, PIN keys, transport keys, and other AES and DES keys. All formats of the CKDS are supported by KGUP.

You use KGUP to perform these tasks:

- Generate or enter keys.
- Maintain CKDS entries by deleting or renaming the entries.
- Load completed operational keys into the CKDS that were entered from a TKE workstation.

When KGUP generates or receives a key value, the program either adds a new record or updates an existing record in the CKDS. For information about how KGUP generates and receives keys to establish key exchange with other systems, see [“Using KGUP for key exchange” on page 170](#).

Each key that KGUP generates (except clear DES and AES data-encrypting keys) exists in the CKDS enciphered under your system's master key.

You use control statements to specify the functions for KGUP to perform. The control statement specifies the task you want KGUP to perform and information about the CKDS entry that is affected. For example, to have KGUP generate an IMPORTER key-encrypting key, you use a control statement like:

```
ADD LABEL(KEY1) TYPE(IMPORTER)
```

When KGUP processes the control statement, the program generates a key value and encrypts the value under a master key variant for an importer key-encrypting key. KGUP places the key in a CKDS record labeled KEY1. The key type field of the entry specifies IMPORTER. For a description of the fields in a CKDS entry, see [“Specifying KGUP data sets” on page 211](#).

When your system is using clear keys only (CLRDES and CLRAES) and has no coprocessors, random number can be generated to create clear DES and AES keys.

You store the control statements in a data set. You must also specify other data sets that KGUP uses when the program processes control statements. You submit a batch job stream to run KGUP. In the job control statements, you specify the names of the data sets that KGUP uses.

KGUP changes a disk copy of the CKDS according to the functions you specify with the control statements. When KGUP changes the disk copy of the CKDS, you can replace the in-storage copy of the CKDS with the disk copy using the ICSF panels. This operation should be performed on all systems sharing the updated CKDS. The Coordinated CKDS Refresh utility preforms the refresh of all systems when sysplex-wide consistency enabled.

To use KGUP, you must perform these tasks:

- Create control statements.
- Specify data sets.
- Submit a job stream.

You may also want to refresh the CKDS with the disk copy of the CKDS that KGUP updated. You can use the KGUP panels to help you perform these tasks. However, you can also use KGUP without accessing the panels. This topic first describes each of the tasks to run KGUP and then describes how to use the panels to perform the tasks.

## System requirements

To run KGUP, ICSF must be active. On systems with cryptographic coprocessors, the master keys must be loaded on the cryptographic coprocessors.

The CKDS to be updated must be initialized.

## SAF requirements

To run KGUP, the user must have access to KGUP via the CSFKGUP profile in the CSFSERV class and CONTROL authority to the profile covering the CKDS in the DATASET class.

### ICSF services

KGUP calls the following ICSF callable services. The user must have access to these services.

CSFSERV resource	Callable service	KGUP verbs affected	Notes
CSFIQF	CSFIQF	OPKYLOAD	
CSFKIM	CSFKIM	ADD, UPDATE	Used when importing an encrypted DES key value.
CSFKGN	CSFKGN	ADD, UPDATE	Used when generating DES keys and AES DATA keys.
CSFKGN2	CSFKGN2	ADD, UPDATE	Used when generating AES keys.
CSFKTR2	CSFKTR2	ADD, UPDATE	Used to convert a key token.
CSFRNGL	CSFRNGL	ADD, UPDATE	Used when generating CLRDES and CLRAES keys. Used when generating a random key and the complementary key is to be returned in the clear.
CSFSKI2	CSFSKI2	ADD, UPDATE	Used when importing a clear key value for AES keys.
CSFSKM	CSFSKM	ADD, UPDATE	Used when importing a clear key value for DES keys.
CSFOPKL	CSFOPKL	OPKYLOAD	

In addition, if key lifecycle auditing of tokens or labels is enabled [AUDITKEYLIFECKDS(TOKEN(YES)) or AUDITKEYLIFECKDS(LABEL(YES)) is specified], the user must have access to the CSFGKF profile in the CSFSERV class to generate the key fingerprint used in auditing.

### Verb authority control

The verb authority control is enabled by creating the CSF.KGUP.VERB.AUTHORITY.CHECK profile for the XFACILIT class. The CSFKGUP resource in the CSFSERV class is used to restrict authority to the KGUP control statement verbs.

When the verb authority control is not enabled, any authorized user of KGUP can use all of the control statement verbs.

When the verb authority control is enabled, the users SAF authority to the CSFKGUP resource are required to have this level of authority to use the verbs. If the CSFKGUP profile is not created, all users have access to all verbs.

Verbs	Authority
ADD, RENAME, OPKYLOAD	READ (default authority)
DELETE, UPDATE	UPDATE

### CSFKEYS authority control

The CSFKEYS authority control is enabled by creating the CSF.KGUP.CSFKEYS.AUTHORITY.CHECK profile in the XFACILIT class.

When the CSFKEYS authority control is not enabled, there are no SAF checks against the CSFKEYS class for labels used by KGUP control statements.

When the CSFKEYS authority control is enabled, all labels referenced in KGUP control statements are SAF checked against the profiles in the CSFKEYS class. The key store policy granular key access control setting is also enforced for both warn and fail modes. The user has READ authority if no profile for the label exists.

When the SAF profile prefixing is enabled, the system name is prepended to the resource profile and checked against the RACF database.

Source of label	Authority (default)	Authority when granular key access is enabled
Verb ADD: LABEL or RANGE keyword	READ	UPDATE
Verbs DELETE and UPDATE: LABEL or RANGE keyword	READ	CONTROL
Verb RENAME: LABEL keyword	READ	CONTROL
Verb OPKYLOAD: LABEL keyword	READ	UPDATE
Verbs ADD and UPDATE: TRANSKEY keyword	READ	READ

## Steps for disallowing dynamic CKDS updates during CKDS administration updates

ICSF prioritizes changes to the CKDS sequentially, regardless of the source. A KGUP job does not have priority over application calls to the dynamic CKDS update services. Exclusive use of the CKDS by any one application call is minimal, however. For this reason, ICSF allows for a maximum concurrent usage of the CKDS by both KGUP and the dynamic update services.

When you perform any function that affects the current CKDS (such as reenciphering, refreshing, or changing the master key), you should consider temporarily disallowing the dynamic CKDS update services.

If you are planning to use KGUP to make significant changes to the CKDS, you should disallow dynamic CKDS update on every system which shares the CKDS. If you are planning to perform a coordinated CKDS change master key or coordinated CKDS refresh operation on a large CKDS (millions of records), you may experience a temporary suspension of CKDS update requests running in parallel. If you cannot tolerate a temporary suspension in your workload, and would prefer that update requests are failed instead of suspended, you should disallow dynamic CKDS updates on every system which shares the same active

CKDS prior to performing the coordinated CKDS administration operation. If an application tries to use the dynamic CKDS update services when they are disallowed, the return code indicates that the CKDS management service has been disabled by the system administrator.

To disallow dynamic CKDS access, perform these tasks:

1. Select option 4, Administrative Control Functions, on the “ICSF Primary Menu panel” on page 481.

The Administrative Control Functions panel appears. See [Figure 51](#) on page 170.

2. Enter a 'D' to disallow dynamic CKDS access.

```

CSFACF00 ----- ICSF Administrative Control Functions
COMMAND ==>
    Active CKDS: CRYPTO25.HCRICSF.CKDS
    Active PKDS: CRYPTO25.HCRICSF.PKDS
    Active TKDS: CRYPTO25.HCRICSF.TKDS

To change the status of a control, enter the appropriate character
(E - ENABLE, D - DISABLE) and press ENTER.

      Function                               STATUS
      -----                               -
D  Dynamic CKDS Access                       ENABLED
.  PKA Callable Services                     ENABLED
.  Dynamic PKDS Access                       DISABLED

Press ENTER to go to the selected option.
Press END  to exit to the previous menu.

```

*Figure 51. Selecting to Disallow Dynamic CKDS Access on User Control Functions Panel*

3. Press ENTER.

The message CKDS UPDATES DISABLED appears in the upper right-hand corner of the panel.

4. Press END to return to the Primary Menu panel.

## Using KGUP for key exchange

KGUP generates keys that are complementary keys. Complementary keys have the same clear key value for corresponding key types. KGUP generates and maintains these types of complementary keys:

- DES Data-encrypting (DATA)
- AES and DES Data-encrypting (CIPHER) and cipher-translate (CIPHERXL) keys
- AES and DES Importer key-encrypting key and exporter key-encrypting key
- DES Input PIN-encrypting key and output PIN-encrypting key
- DES MAC generation key and MAC verification key
- DES PIN generation key and PIN verification key

KGUP generates control information and key tokens for distribution to another site. For DES keys, this information can be used as input to KGUP to import the complementary key into the CKDS. For AES keys using the variable-length key token, KGUP cannot be used to import encrypted key values. Clear key values can be used with AES keys. To import a AES variable-length key token generated by KGUP, the receiving site must be sent the whole key token and must use the Symmetric Key Import2 callable service to import the key under the AES master key and use the CKDS Key Record Create2 service to store the key in the CKDS.

When you distribute keys or PINs, your system has one key, and the other system has the complementary key. For example, when your system sends a DATA key to another system, the importer and exporter key-encrypting keys at the systems complement each other. The DATA key is encrypted under an exporter key-encrypting key at your system. The DATA key is decrypted by the complementary importer key-encrypting key at the receiving system.

When KGUP generates a key, the other system involved in the key or PIN exchange needs the complement of the key. When KGUP generates a key, the program also generates a control statement to create the complement of the key. You send the control statement to the other system which uses the statement to create the complementary key.

For example, when you use KGUP to create an input PIN-encrypting key, KGUP also creates a control statement for the complementary output PIN-encrypting key. You send the control statement to another system. The other system uses the control statement to create the output PIN-encrypting key. Then your system can send PIN blocks to the other system.

For some key types, you can choose the output key type by specifying the OUTTYPE parameter on a KGUP ADD statement. For example, you can generate a CIPHER key for inclusion into the CKDS and export a copy of the key as either a CIPHER key or a CIPHERXL key. If you export the copy of the CIPHER key as a CIPHER key, the receiver of the key can use it to decipher data. If you export the copy of the CIPHER key as a CIPHERXL key, the receiver can use the key only in the Ciphertext Translate2 callable service to translate cipher text from one cipher translation key to another. The receiver of the CIPHERXL key cannot use the key to actually decipher the data.

KGUP stores the complementary key control statement in a data set. Because some cryptographic systems may not use KGUP control statements, KGUP also stores complementary key information as a record in a different data set. The information is not in the form of a control statement. You process and send the information to a system which creates the complementary key.

When KGUP generates a key, the program also generates information to create the complementary key. This information includes the complementary key value. The value is either a clear key value or encrypted key value. For an encrypted key value, the program encrypts the value under an exporter key. The importer key that complements this exporter key already exists at the other system. The importer key is one key in a complementary transport key pair that your system already established with the other system. The pair would be an importer key on the other system and an exporter key on your system. The other system reenciphers the value from under the importer key to under its master key to generate the complementary key.

Besides generating keys and complementary key information, KGUP imports key values that are sent from other systems. The program can receive a control statement to create a key that is the complement of a key on another system. The key value your KGUP receives may be encrypted under a transport key. The transport key would be one key of a complementary transport key pair that you already established with the other system. The pair would be an exporter key on the other system and an importer key on your system. KGUP reenciphers the complementary key from under the importer key to under the master key and places the key in the CKDS.



**CAUTION:** KGUP does not create complementary key control statement for existing key labels, nor new a key label that has CLEAR parm specified in the KGUP statement.

For KGUP to send or receive keys in a key exchange with another system, the systems must previously establish a pair of complementary transport keys. For example, KGUP on one system defines the pair and generates the importer key in the clear. KGUP on the other system uses this value to define a pair of keys that are complements of the keys at the original site. For an example of how two ICSF systems establish pairs of complementary transport keys for key exchange, see [“Scenario of Two ICSF Systems Establishing Initial Transport Keys”](#) on page 238.

When a transport key is used, the key value of the key being exported is encrypted by a variant of the transport key. This encrypted key value can be imported into any cryptographic product that supports CCA. However, systems with some cryptographic products do not recognize CCA control vectors. When you exchange keys with such a system, a key that you send or receive is enciphered under a transport key directly. You specify to KGUP a NOCV transport key and the key value will be encrypted by the transport key only.

You can define a pair of complementary transport keys with another system so your system and the other system can exchange keys without control vectors. You use a control statement to indicate to KGUP to produce these keys. Then send the clear value that KGUP produced to the PCF system so the system can generate the corresponding complementary pair of keys. Then you use the transport keys to exchange other keys. Refer to [“Scenario of an ICSF System and a PCF System Establishing Initial Transport Keys”](#) on

page 239 for an example of how to establish pairs of complementary transport keys for key exchange between an ICSF system and a PCF system.

You can also use KGUP to create complementary keys that are used by two different systems. Neither key would be operational on your system so KGUP would not update your CKDS. When KGUP generates the complementary key information, you send it to the two systems that need to share complementary keys.

## Using KGUP control statements

---

You use control statements to specify the function you want the key generator utility program (KGUP) to perform. You use job control language (JCL) to submit the control statements to KGUP. You can create and submit KGUP control statements either on your own or using the KGUP panels. OPKYLOAD control statements cannot be created using the KGUP panels.

You specify information to KGUP using an ADD, UPDATE, DELETE, RENAME, SET or OPKYLOAD control statement. You use keywords on the control statement to specify:

- The function KGUP performs
- Information about the key that KGUP processes

For example, if you specify the KEY keyword on an ADD control statement, you supply a key which KGUP adds to the CKDS in an entry.

This topic describes the syntax of the control statements with their keywords. Use these rules when interpreting the syntax of the control statements:

- Specify uppercase letters and special characters as shown in the examples.
- Lowercase letters represent keyword values that you must specify.
- A bar (|) indicates a choice (OR).
- Ellipses (...) indicates that multiple entries are possible.
- Braces ({} ) denote choices, one of which you must specify.
- Brackets ([ ]) denote choices, one of which you may specify.

Control statements in the Control Statement Input data set may not be longer than 71 characters including the continuation character.

The parse routine allows you to abbreviate a keyword in a control statement to the least number of characters that uniquely identify the keyword. To avoid conflicts in abbreviations, it is a good practice to fully spell out all keywords in the statements.

## General Rules for CKDS Records

There are some general rules for creating labels for CKDS key records.

- Each label can consist of up to 64 characters. The first character must be alphabetic or a national character (#, \$, @). The remaining characters can be alphanumeric, a national character (#, \$, @), or a period (.).
- Labels must be unique for all key types except for DES key types EXPORTER, IMPORTER, IPINENC, PINGEN, PINVER, and OPINENC.
- Labels must be unique for any key record, including transport and PIN keys, created or updated using the dynamic CKDS update services.

KGUP and the dynamic CKDS update services, unless they are modified by user-written exits, check for uniqueness according to these rules prior to making any change to the CKDS.

## CKDS record level authentication

ICSF may have an optional record level authentication code that is part of each record in the CKDS. The record level authentication code is used to identify when a record in the CKDS is modified by a program other than ICSF. The record level authentication is enabled when the CKDS is initialized and cannot be

changed after the CKDS is initialized. If the CKDS is properly protected using RACF profiles, then unauthorized modification of the CKDS can be prevented.

KGUP detects when ICSF and the CKDS are enabled for record level authentication and performs the necessary processing. When record level authentication is not enabled, KGUP does not perform record level authentication processing.

## KGUP Uniqueness Checking

KGUP first checks to see if the label in the control statement matches a label that already exists in the CKDS.

If KGUP is processing an ADD control statement and there is no matching record, KGUP continues processing. Also, if KGUP is processing a RENAME control statement and there is no match for the *new-label* parameter, KGUP continues processing the control statement. If KGUP finds a matching label, KGUP then checks whether the key requires a unique label. If the key does not require a unique label, KGUP continues processing the ADD or RENAME control statement. If the key does require a unique label, KGUP stops processing the control statement and issues a message.

If KGUP is processing an UPDATE or DELETE control statement and there is no matching record, KGUP ends processing and issues an error message. Also, if KGUP is processing a RENAME control statement and there is no match for the *old-label* parameter, KGUP ends processing and issues an error message. If KGUP finds a matching label, KGUP continues processing the UPDATE, DELETE, or RENAME control statement.

## Dynamic CKDS Update Services Uniqueness Checking

The dynamic CKDS update services require unique record labels in the CKDS. Each service checks to see if the label in the application call matches a label that already exists in the CKDS. For the Key Record Create service, if there is no matching record in the CKDS, ICSF continues processing the application call. If there is a match, ICSF stops processing and returns a return code and reason code to the application. For the Key Record Write and Key Record Delete services, if there is only one record in the CKDS that matches the label in the application call, ICSF continues processing the application call. If there is more than one matching record in the CKDS, ICSF stops processing and returns a return code and reason code to the application.

## Key Store Policy Duplicate Token Checking

When the RACF XFACILIT resource CSF.CKDS.TOKEN.NODUPLICATES is enabled, KGUP will check for duplicate encrypted tokens in the CKDS for ADD and UPDATE control statements. When a duplicate token is found, the processing of that control statement will be terminated.

## Access Control Points and Key Wrapping

User should note that any enabled access control points that affect key wrapping in ICSF (default wrapping, weak key warning or prohibit weak key wrapping) affect KGUP in the same manner as any application using ICSF callable services.

## KGUP and key lifecycle auditing

ICSF may log audit records for actions taken by KGUP. The audit records that are logged are dependent on the AUDITKEYLIFECKDS option setting. If auditing is enabled, ICSF makes additional requests to the Crypto Express coprocessor to generate the key fingerprint. This applies to variable-length tokens and all secure tokens. By default, no audit records are logged. See [\*z/OS Cryptographic Services ICSF System Programmer's Guide\*](#) for more information.

## KGUP and PCI-HSM compliance

KGUP can be used to create DES keys that are compliance-tagged for PCI-HSM applications. The KEYMGT keyword with the COMP-TAG value causes KGUP to generate compliance tagged keys.



When you generate compliance tagged key, all transport keys that are specified must be compliance-tagged.

When you generate random keys that are compliance-tagged, at least one active coprocessor must be in compliance mode. Otherwise, the request fails.

```
ADD TYPE(CIPHER) LABEL(1abe11) KEYMGT('COMP-TAG')
```

```
ADD TYPE(EXPORTER) OUTTYPE(IMPORTER) LABEL(1abe12) TRANSKEY(kek1),  
KEYMGT('COMP-TAG')
```

```
ADD TYPE(MAC) OUTTYPE(MACVER) LABEL(1abe13) TRANSKEY(kek1, kek2),  
KEYMGT('COMP-TAG')
```

When you supply clear key values in the control statement, at least one active coprocessor must be in migration mode. Otherwise, the request fails.

```
ADD TYPE(PINVER) LABEL(1abe14) CLEAR KEY(value1,value2) KEYMGT('COMP-TAG')
```

When you generate random keys and requesting the clear key value be returned in the Control Statement Output data set, at least one active coprocessor must be in migration mode. Otherwise, the request fails.

```
ADD TYPE(MAC) OUTTYPE(MACVER) LABEL(1abe13) CLEAR,  
KEYMGT('COMP-TAG')
```

## Restrictions

- DATA key type is not allowed.
- No single-length keys are allowed.
- No NOCV transport keys for the TRANSKEY keyword are allowed.
- The NOCV keyword is not allowed for COMP-TAG keys.

## Syntax of the ADD and UPDATE control statements

The ADD and UPDATE control statements use the same keywords. Use the ADD or UPDATE control statement to specify that KGUP generate a key value or import a key value that you provide. The ADD control statement adds new keys to the CKDS. The UPDATE control statement overlays an existing key with a new key.

Refer to [Figure 52 on page 175](#) for the syntax of the ADD and UPDATE control statements.



```

{ADD | UPDATE}

  {LABEL(label [, label] ...) | RANGE(start-label, end-label)}
  TYPE(key-type)
  [ALGORITHM(DES/AES)]
  [OUTTYPE(key-type)]
  [TRANSKEY(key-label1 [, key-label2]) | CLEAR]
  [NOCV]
  [LENGTH(n)]
  [SINGLE | DOUBLE0 | $TRIPLE | $TRIPLE0]
  [KEY(key-value [, key-value] ...)]
  [KEYUSAGE(key-usage-value [, key-usage-value] ...)]
  [KEYMGT(key-management-value1 [, key-management-value2])]
  [DKYGENKYUSAGE(key-usage-value1 [, key-usage-value2])]

```

Figure 52. ADD and UPDATE Control Statement Syntax

### **LABEL (*label* [, *label*] ...)**

This keyword defines the names of the key entries for KGUP to process within the CKDS. KGUP processes a separate entry for each label. If you specify more than one label on an ADD or UPDATE control statement, the program uses identical key values in each entry.

You must specify at least one key label, and you can specify up to 64 labels with the LABEL keyword. For the general rules about key label conventions and uniqueness, see [“General Rules for CKDS Records”](#) on page 172.

On a KGUP control statement, you must specify either the LABEL or RANGE keyword. When you supply a key value on the control statement with the KEY keyword, you must specify the LABEL keyword.

### **RANGE (*start-label*, *end-label*)**

This keyword defines the range of the multiple labels that you want KGUP to create or maintain within the CKDS.

The label consists of between 2 and 64 characters that are divided as follows:

- The first 1 to 63 characters are the label base. These characters must be identical on both the start-label and end-label and are repeated for each label in the range. For the general rules about key label conventions and uniqueness, see [“General Rules for CKDS Records”](#) on page 172.
- The last 1 to 4 characters form the suffix. The number of digits in the start-label and end-label must be the same, and the characters must all be numeric. These numeric characters establish the range of labels KGUP creates. The start-label numeric value must be less than the end-label numeric value.

KGUP creates a separate CKDS entry for each label including the start and end labels. The program generates a different key value for each entry it creates.

You cannot use the RANGE keyword when you supply a key value to KGUP. Use RANGE to only generate a key value. The RANGE and KEY keywords are mutually exclusive.

On a KGUP control statement, you must specify either the LABEL or RANGE keyword.

### **TYPE (*key-type*)**

This keyword specifies the type of key you want KGUP to process. You can specify only one key type for each control statement. For DES key types EXPORTER, IMPORTER, IPINENC, PINGEN, PINVER, and OPINENC key types, KGUP allows keys with the same labels but different key types. You can specify any of the key types in [Table 38](#) on page 176.

Table 38. Key types

Key Type	Algorithm	Usage	Notes	Default Length
<b>CIPHER</b>	AES	Data-encrypting key for the CSNBSAD and CSNBSAE services.	128-bit, 192-bit, or 256-bit key.	256-bit
<b>CIPHER</b>	DES	Data-encrypting key for the CSNBDEC and CSNBENC services.	Single-length, double-length, or triple-length key.	Double-length
<b>CIPHERXI</b>	DES	Input cipher translate key for CSNCTT2 and CSNCTT3 services.	Double-length key. May not have replicated key values.  The September, 2012 or later licensed internal code (LIC) is required.	Double-length
<b>CIPHERXL</b>	DES	Input cipher translate key for CSNCTT2 and CSNCTT3 services.	Double-length key. May not have replicated key values.  The September, 2012 or later licensed internal code (LIC) is required.	Double-length
<b>CIPHERXO</b>	DES	Output cipher translate key for CSNCTT2 and CSNCTT3 services.	Double-length key. May not have replicated key values.  The September, 2012 or later licensed internal code (LIC) is required.	Double-length
<b>CLRAES</b>		Clear AES data-encrypting key for the CSNBSYD and CSNBSYE services.	128-bit, 192-bit, or 256-bit key	128-bit
<b>CLRDES</b>		Clear DES data-encrypting key for the CSNBSYD and CSNBSYE services.	Single-length, double-length, or triple-length key.	Single-length
<b>DATA</b>	AES, DES	Data-encrypting key for the CSNBDEC, CSNBENC, CSNBSAD, CSNBSAE, CSNBSYD, and CSNBSYE services.	Single-length, double-length, or triple-length key for DES.  128-bit, 192-bit, or 256-bit key for AES.	<ul style="list-style-type: none"> <li>• Double-length for DES</li> <li>• 128-bit for AES</li> </ul>
<b>DATAM</b>	DES	Double-length MAC generation key.	Double-length key DOUBLEO not allowed.	Double-length
<b>DATAMV</b>	DES	Double-length MAC verification key.	Double-length key DOUBLEO not allowed.	Double-length
<b>DECIPHER</b>	DES	Data-decrypting key for the CSNBDEC service.	Single-length, double-length, or triple-length key.	Double-length

Table 38. Key types (continued)

Key Type	Algorithm	Usage	Notes	Default Length
<b>DKYGENKY*</b>	AES, DES	Diversified key generating key for CSNBDKG and CSNBDKG2 services.	Double-length key for DES. 128-bit, 192-bit, or 256-bit key for AES.	<ul style="list-style-type: none"> <li>• Double-length for DES</li> <li>• 256-bit for AES</li> </ul>
<b>ENCIPHER</b>	DES	Data-encrypting key for the CSNBENC service.	Single-length, double-length, or triple-length key.	Double-length
<b>EXPORTER</b>	AES, DES	Exporter key-encrypting key.	Double-length or triple-length key for DES. 128-bit, 192-bit, or 256-bit key for AES.	<ul style="list-style-type: none"> <li>• Double-length for DES</li> <li>• 256-bit for AES</li> </ul>
<b>IMPORTER</b>	AES, DES	Importer key-encrypting key.	Double-length or triple-length key for DES. 128-bit, 192-bit, or 256-bit key for AES.	<ul style="list-style-type: none"> <li>• Double-length for DES</li> <li>• 256-bit for AES</li> </ul>
<b>IMPPKA</b>	DES	Limited authority importer key-encrypting key.	Double-length or triple-length key.	Double-length
<b>IPINENC</b>	DES	Input PIN encryption key.	Double-length or triple-length key.	Double-length
<b>KEYGENKY*</b>	DES	Key generating key for DUKPT. Used with CSNBPTR, CSNBPTV, CSNBDKG, and CSNBUKD services.	Double-length key.	Double-length
<b>MAC*</b>	AES	MAC generation and verification key.	128-bit, 192-bit, or 256-bit key for AES.	256-bit
<b>MAC</b>	DES	MAC generation key.	Single-length, double-length, or triple-length key.	Double-length
<b>MACVER</b>	DES	MAC verification key.	Single-length, double-length, or triple-length key.	Double-length
<b>NULL</b>	AES, DES	Used to create a null CKDS entry.		
<b>OPINENC</b>	DES	Output PIN encryption key.	Double-length or triple-length key.	Double-length
<b>PINCALC*</b>	AES	PIN calculation key.	128-bit, 192-bit, or 256-bit key.	256-bit
<b>PINGEN</b>	DES	PIN generating key.	Double-length or triple-length key.	Double-length
<b>PINPROT*</b>	AES	PIN protection key.	128-bit, 192-bit, or 256-bit key.	256-bit

Key Type	Algorithm	Usage	Notes	Default Length
<b>PINPRW*</b>	AES	PIN reference value key.	128-bit, 192-bit, or 256-bit key.	256-bit
<b>PINVER</b>	DES	PIN verification key.	Double-length or triple-length key.	Double-length

All these types of keys are stored in the CKDS.

**Note:**

1. Key types CIPHERXI, CIPHERXL, and CIPHERXO have control vectors with guaranteed unique key halves. Key-encrypting keys that are used to wrap these key types must have control vectors with guaranteed unique key halves. These key-encrypting keys can be generated by using KGUP by specifying the DOUBLEO keyword in the control statement.
2. The key types that are marked with an asterisk (\*) require additional information to create the key. See the KEYUSAGE keyword for the values that must be specified.

**ALGORITHM(DES|AES)**

This keyword defines the algorithm of the key you are generating. DES is the default value except for key types that are not supported for the DES algorithm. When only one algorithm is supported for the key type, the keyword is optional. The supported algorithms for all key types are listed in [Table 38 on page 176](#). Generated operational keys are encrypted under the respective master key.

**Note:**

- To use an algorithm, the master key of the algorithm must be active.
- If you are going to create AES keys that use the variable-length format key token, the CKDS must be a variable-length record format or common record format (KDSR) CKDS and the key output data set must have a longer LRECL.

**OUTTYPE (key-type)**

This keyword specifies the type of complementary key you want KGUP to generate for export. This keyword is valid only when you are requesting KGUP to generate keys and you also specify the CLEAR or TRANSKEY keywords.

OUTTYPE is mutually exclusive with the KEY keyword.

See [Table 39 on page 178](#) for a list of the default and optional complementary key types for each of the 11 different key types. If OUTTYPE is not specified, KGUP generates the default complementary key that is shown in this table.

Type	Algorithm	OUTTYPE (Default)	OUTTYPE (Allowed)
<b>CIPHER</b>	AES	CIPHER	CIPHER
<b>CIPHER</b>	DES	CIPHER	CIPHER, CIPHERXI, CIPHERXL, CIPHERXO, ENCIPHER, DECIPHER
<b>CIPHERXI</b>	DES	CIPHERXO	CIPHER, CIPHERXO, ENCIPHER
<b>CIPHERXL</b>	DES	CIPHERXL	CIPHER, CIPHERXL

<i>Table 39. Default and optional OUTTYPES allowed for each key TYPE (continued)</i>			
Type	Algorithm	OUTTYPE (Default)	OUTTYPE (Allowed)
<b>CIPHERXO</b>	DES	CIPHERXI	CIPHER, CIPHERXI, DECIPHER
<b>CLRAES</b>		Not Allowed	Not Allowed
<b>CLRDES</b>		Not Allowed	Not Allowed
<b>DATA</b>	AES	Not Allowed	Not Allowed
<b>DATA</b>	DES	DATA	DATA
<b>DATAM</b>	DES	DATAMV	DATAM, DATAMV
<b>DATAMV</b>	DES	Not Allowed	Not Allowed
<b>DECIPHER</b>	DES	ENCIPHER	CIPHER, CIPHERXO, ENCIPHER
<b>DKYGENKY*</b>	AES, DES	DKYGENKY*	DKYGENKY*
<b>ENCIPHER</b>	DES	DECIPHER	CIPHER, CIPHERXI, DECIPHER
<b>EXPORTER</b>	AES, DES	IMPORTER	IMPORTER
<b>IMPORTER</b>	AES, DES	EXPORTER	EXPORTER
<b>IMPPKA</b>	DES	EXPORTER	EXPORTER
<b>IPINENC</b>	DES	OPINENC	OPINENC
<b>KEYGENKY*</b>	DES	KEYGENKY*	KEYGENKY*
<b>MAC*</b>	AES	MAC*	MAC*
<b>MAC</b>	DES	MACVER	MAC, MACVER
<b>MACVER</b>	DES	Not Allowed	Not Allowed
<b>NULL</b>		Not Allowed	Not Allowed
<b>OPINENC</b>	DES	IPINENC	IPINENC
<b>PINCALC*</b>	AES	Not Allowed	Not Allowed

<i>Table 39. Default and optional OUTTYPES allowed for each key TYPE (continued)</i>			
Type	Algorithm	OUTTYPE (Default)	OUTTYPE (Allowed)
PINGEN	DES	PINVER	PINVER
PINPROT*	AES	PINPROT*	PINPROT*, CIPHER
PINPRW*	AES	PINPRW*	PINPRW*
PINVER	DES	Not Allowed	Not Allowed

**Note:** The key types that are marked with an asterisk (\*) require additional information to create the key and the key's complement. See the KEYUSAGE keyword for the values that must be specified.

### TRANSKEY (key-label1[,key-label2])

This keyword identifies the label of a transport key that exists in the CKDS. KGUP uses the transport key either to decrypt an imported key value or to encrypt a key value to send to another system. The algorithm of the transport key must match the key that is being wrapped, that is, an AES key must be wrapped with an AES transport key. Also, you should make sure the strength of the transport key is sufficient to wrap the key being generated. A triple-length DES keys should be wrapped with a triple-length transport key.

When KGUP generates a key, the program enciphers the key under the appropriate master key. KGUP can also generate a key value that can be used to create the key's complement. You can have KGUP encrypt the key value with a transport key. On the control statement, use the TRANSKEY keyword to specify an EXPORTER key-encrypting key that KGUP should use to encipher the complementary key. You can send the encrypted key value to another system to create the complementary key.

**Note:** If you specify this keyword on the UPDATE control statement and you do not supply a key value, KGUP generates a new key value and updates the existing record with the new key value in the CKDS. For more information, see [“Example 7: UPDATE Control Statement with Key Value and Transkey Keywords”](#) on page 206.

When you generate an IMPORTER key-encrypting key to encipher a key that is stored with data in a file, you can request that KGUP not generate the complementary EXPORTER key-encrypting key. You do this by not specifying the TRANSKEY or CLEAR keyword. This is also true for CIPHER, DATA, and MAC keys.

**For DES key types:** When you input a key value that is in importable form, the key that is specified by the KEY keyword is enciphered under an IMPORTER key-encrypting key. KGUP reenciphers the key value from under the transport key to under a master key variant. On the control statement, you use the TRANSKEY keyword to specify the transport key that enciphers the key. When the key being imported with the original wrapping method for DES keys, only the key value is required. When enhanced wrapping is used, the KEYMGT('WRAP-ENH') keyword is required along with the key value.

You can import or export a new version of a key that is encrypted under the current version of the same key. You can do this by specifying the same key label in the TRANSKEY keyword as in the LABEL or RANGE keyword on an UPDATE control statement.

Your site can generate keys for key exchange between two other sites. These sites do not need to know the clear value of the keys that are used for this communication. KGUP generates control statements that you send to the sites. Then, the sites' KGUPs establish the keys that they need for key exchange.

To do this procedure, submit an ADD or UPDATE control statement with two TRANSKEY key labels. The first TRANSKEY label identifies the transport key that is valid between your site and the first recipient site. The second TRANSKEY label identifies the transport key that is valid between your site and the second recipient site. KGUP generates a pair of control statements to create the complementary pair of keys that are needed at the two sites.

**Note:** You cannot specify two DES NOCV key-encrypting keys. For more information about control vectors, see the description of the NOCV keyword.

The TRANSKEY keyword and the CLEAR keyword are mutually exclusive.

If you have specified a key type of NULL, CLRDES or CLRAES for the TYPE keyword, you cannot use the TRANSKEY keyword.

### **CLEAR**

This keyword indicates that either:

- You are supplying an unencrypted key value with the KEY keyword.
- KGUP should create a control statement that generates an unencrypted complementary key value.

You can supply either encrypted or unencrypted key values to KGUP with the KEY keyword. On the control statement to supply the unencrypted key, you specify the CLEAR keyword.

When KGUP generates a key, KGUP enciphers the key under a master key variant. KGUP can also generate a key value to be used to create the key's complement. KGUP can create the complementary key value in unencrypted form. To generate an unencrypted complementary key value, you specify the CLEAR keyword. Your ICSF system must be in special secure mode to use this keyword.

The CLEAR keyword and the TRANSKEY keyword are mutually exclusive. You cannot use the CLEAR keyword on a control statement when you use the TRANSKEY keyword. You cannot use the CLEAR keyword if you specify a NULL, CLRDES, or CLRAES key for the TYPE keyword.

### **NOCV**

To exchange keys with systems that do not recognize CCA key tokens, ICSF provides a way to by-pass transport key variant processing. KGUP or an application program encrypts a key under the transport key itself not under the transport key variant. This is called NOCV processing.

The NOCV keyword indicates that the key that is generated or imported is a DES transport key to use in NOCV processing. The transport key has the NOCV flag set in the key control information when stored in the CKDS.

The NOCV keyword is only valid for generating transport keys. The keyword is not valid if you specify the TRANSKEY keyword with two transport key labels.

### **LENGTH(n), SINGLE, DOUBLE, \$TRIPLE, and \$TRIPLEO**

The LENGTH keyword specifies the length of the key value. Specifying the length of the key is optional. If the length is not specified, the default length is used.

For AES keys and CLRAES, LENGTH(16) generates a 128-bit key, LENGTH(24) generates a 192-bit key, and LENGTH(32) generates a 256-bit key. The SINGLE, DOUBLE, \$TRIPLE, and \$TRIPLEO keywords are not allowed.

For CLRDES keys, LENGTH(8) generates a single-length key, LENGTH(16) generates a double-length key and LENGTH(24) generates a triple-length key. The SINGLE, DOUBLE, \$TRIPLE, and \$TRIPLEO keywords are not allowed.

For DES keys:

- LENGTH(8) generates a single-length key.
- LENGTH(16) generates a double-length key.
- LENGTH(24) generates a triple-length key for key type DATA only. The control vector will be zeros. Not valid with other key types.
- For key types that are double-length by default, LENGTH(8) or SINGLE in an ADD or UPDATE statement causes KGUP to generate a double-length key with both key halves the same. On the KGUP panel, you can achieve this by specifying 8 in the LENGTH field for a double-length key type.
- For most double-length key types, specifying DOUBLEO causes KGUP to create a double length key with guaranteed unique key halves. The control vector is modified to indicate this.

- \$TRIPLE generates a triple-length key for those key types which can be triple-length. All key tokens will have a control vector including DATA keys.
- For those key types which can be triple-length, specifying \$TRIPLEO causes KGUP to create a triple-length key with guaranteed unique key values. The control vector is modified to indicate this.

*Table 40. DES key types and supported key lengths*

<b>Key Type</b>	<b>Single-length(K1)</b>	<b>Double-length replicated key parts (K1    K1)</b>	<b>Double-length (K1    K2)</b>	<b>Triple-length (K1    K2    K3)</b>
CIPHER	LENGTH(8) or SINGLE	Note 1	LENGTH(16) or DOUBLEO	\$TRIPLE or \$TRIPLEO
CIPHERXI	Not allowed	Not allowed	LENGTH(16) or DOUBLEO	Not allowed
CIPHERXL	Not allowed	Not allowed	LENGTH(16) or DOUBLEO	Not allowed
CIPHERXO	Not allowed	Not allowed	LENGTH(16) or DOUBLEO	Not allowed
DATA zero CV	LENGTH(8) or SINGLE	Note 1	LENGTH(16)	LENGTH(24)
DATA standard CV	Not allowed	Not allowed	Not allowed	\$TRIPLE or \$TRIPLEO
DATAM	Not allowed	Not allowed	LENGTH(16)	Not allowed
DATAMV	Not allowed	Not allowed	LENGTH(16)	Not allowed
DECIPHER	LENGTH(8) or SINGLE	Note 1	LENGTH(16) or DOUBLEO	\$TRIPLE or \$TRIPLEO
DKYGENKY	Not allowed	LENGTH(8) or SINGLE	LENGTH(16) or DOUBLEO	Not allowed
ENCIPHER	LENGTH(8) or SINGLE	Note 1	LENGTH(16) or DOUBLEO	\$TRIPLE or \$TRIPLEO
EXPORTER	Not allowed	LENGTH(8) or SINGLE	LENGTH(16) or DOUBLEO	\$TRIPLE or \$TRIPLEO
IMPORTER	Not allowed	LENGTH(8) or SINGLE	LENGTH(16) or DOUBLEO	\$TRIPLE or \$TRIPLEO
IMPPKA	Not allowed	LENGTH(8) or SINGLE	LENGTH(16) or DOUBLEO	\$TRIPLE or \$TRIPLEO
IPINENC	Not allowed	LENGTH(8) or SINGLE	LENGTH(16) or DOUBLEO	\$TRIPLE or \$TRIPLEO
MAC	LENGTH(8) or SINGLE	Note 1	LENGTH(16) or DOUBLEO	\$TRIPLE or \$TRIPLEO
MACVER	LENGTH(8) or SINGLE	Note 1	LENGTH(16) or DOUBLEO	\$TRIPLE or \$TRIPLEO
OPINENC	Not allowed	LENGTH(8) or SINGLE	LENGTH(16) or DOUBLEO	\$TRIPLE or \$TRIPLEO
PINGEN	Not allowed	LENGTH(8) or SINGLE	LENGTH(16) or DOUBLEO	\$TRIPLE or \$TRIPLEO



Key Type	Single-length(K1)	Double-length replicated key parts (K1    K1)	Double-length (K1    K2)	Triple-length (K1    K2    K3)
PINVER	Not allowed	LENGTH(8) or SINGLE	LENGTH(16) or DOUBLEO	\$TRIPLE or \$TRIPLEO

**Note 1**

The only way to get a double-length key with replicated key values for these key types is to supply the key values with the KEY() and CLEAR keywords.

In any case, LENGTH is used only for generating keys. If you are specifying clear or encrypted key parts, do not use the LENGTH keyword (and do not fill in a value for LENGTH on the KGUP panel).

- The LENGTH keyword and the KEY keyword are mutually exclusive.
- The SINGLE, DOUBLEO, \$TRIPLE, and \$TRIPLEO keywords are mutually exclusive.
- The SINGLE, \$TRIPLE, and KEY keywords are mutually exclusive.
- The DOUBLEO and \$TRIPLEO keywords can be specified with the KEY keyword when unique key values are supplied. The control vector is modified.

**KEY (key-value[,key-value]...)**

This keyword allows you to supply KGUP with a key value. KGUP can use this key value to add a key or update a key entry.

If you do not specify this keyword, KGUP generates the key value for you. You cannot use the RANGE keyword or the LENGTH, DOUBLE, or \$TRIPLE keywords with this keyword. Each key part consists of exactly 16 characters that represent 8 hexadecimal values.



**CAUTION:** KGUP does not create complementary key control statement for existing key labels nor for a key label that has CLEAR keyword specified in the KGUP statement. When the TRANSKEY keyword is specified with KEY, KGUP does not create an entry in the control statement output data set.

For key types CLRDES and CLRAES, the key value is the clear value you want to be stored in the key token. The CLEAR keyword is not allowed. For CLRDES, you must supply one, two, or three parts. For CLRAES, you must supply two, three, or four parts.

**AES keys**

For AES keys, the key value is the clear value you want to import to be stored in the key token wrapped by the master key.

- You must supply two, three, or four parts.
- The CLEAR keyword is required. The TRANSKEY keyword is not allowed.

**DES keys**

For DES keys, the key value is either:

- The clear value you want to import to be stored in the key token wrapped by the master key. The CLEAR keyword is required.
- The encrypted value to import to be stored in the key token wrapped by the master key. The TRANSKEY keyword is required. If the key value is wrapped with the SHA-1 enhanced wrapping method, the KEYMGT('WRAP-ENH') keyword must be specified for the key to be imported correctly. Triple-length keys are always wrapped with the SHA-256 enhanced wrapping method and there is no need to indicate the wrapping method.

When you supply one key value,

- For keys that can be single-length, a single-length key is returned.
- For keys that are double-length by default, a double-length key with replicated key values is returned.

When you supply two key values, a double-length key is returned. You should not supply the same value twice in the keyword. When you specify DOUBLEO, the two values must not be the same. The control vector will indicate unique key values.

When you supply three key values, a triple-length key is returned. You should not supply the same value twice in the keyword. When you specify \$TRIPLEO, all three key values must be unique. The control vector will indicate unique key values.

For double-length keys, when you use the TRANSKEY keyword with the KEY keyword, the transport key you specify is the importer key that encrypts the key value. If you supply only one key value for a double-length key and also specify TRANSKEY, the TRANSKEY must be an NOCV importer.

### Complementary key pairs

Most key types have complementary key type. See [Table 39 on page 178](#) for more information.

You cannot generate one key of a key pair without supplying a key value for the key. You must specify the KEY keyword.

### KEYUSAGE(key-usage-value[,key-usage-value]...)

This keyword defines key usage values for the key that is being generated. The usage values are used to restrict a key to a specific algorithm or usage.

The associated data for variable length tokens is described in Appendix B of the Application Programmer's Guide. The DES control vector is described in Appendix C. of the Application Programmer's Guide.

The following values have been defined. The usage values are specific to a key type. The values can only be specified for the key type that is indicated in the following tables.

**Note:** Any value with a non-alphanumeric character must be enclosed in quotes when specified with the KEYUSAGE keyword. For example:

```
KEYUSAGE( ' CVVKEY-A' )
```

When a pair of keys is generated, one for the local system and the other for a remote system, both keys are generated with the same key-usage flags when the KEYUSAGE keyword is used.

<i>Table 41. Usage values for key types</i>		
Key type	Key algorithm	Key Usage Values
<b>CIPHER</b>	AES	The following values are optional: C-XLATE, V1PYLD and One or both can be specified: DECRYPT, ENCRYPT.  <b>Note:</b> The key generated when KEYUSAGE is not specified has only the DECRYPT and ENCRYPT key-usage. This is the default.
<b>DKYGENKY</b>	DES	One of the following must be specified: DKYLO, DKYL1, DKYL2, DKYL3, DKYL4, DKYL5, DKYL6, DKYL7 and One of the following must be specified: DALL, DDATA, DEXP, DIMP, DMAC, DMKEY, DMPIN, DMV, DPVR

<i>Table 41. Usage values for key types (continued)</i>		
<b>Key type</b>	<b>Key algorithm</b>	<b>Key Usage Values</b>
<b>DKYGENKY</b>	AES	One of the following must be specified: D-PPROT, D-PCALC, D-PPRW and One of the following values must be specified: DKYLO, DKYL1, DKYL2 and The following values are required: KUF-MBE, DKYUSAGE
<b>DKYGENKY</b>	AES	One of the following must be specified: D-MAC, D-SECMSG and The following value is required: DKYUSAGE and One of the following values must be specified: KUF-MBE, KUF-MBP and One of the following values must be specified: DKYLO, DKYL1, DKYL2
<b>DKYGENKY</b>	AES	The following value is required: D-CIPHER and One of the following values must be specified: DKYLO, DKYL1, DKYL2 and The following value is optional: DKYUSAGE and One of the following values may be specified when DKYUSAGE is specified: KUF-MBE, KUF-MBP (KUF-MBE is the default)
<b>DKYGENKY</b>	AES	One of the following must be specified: D-ALL, D-EXP, D-IMP and One of the following values must be specified: DKYLO, DKYL1, DKYL2
<b>EXPORTER</b>	AES	The following value is optional: V1PYLD and The following values are optional, but both must be specified together: EXPTT31D, VARDRV-D.  When the EXPTT31D keyword is not specified, all other exporter control keywords are enabled in the generated key. When the EXPTT31D keyword is specified, the key can only be used with the CSNBT31X service.

Table 41. Usage values for key types (continued)

Key type	Key algorithm	Key Usage Values
<b>IMPORTER</b>	AES	The following value is optional: V1PYLD and The following values are optional, but both must be specified together: IMPTT31D, VARDRV-D.  When the IMPTT31D keyword is not specified, all other importer control keywords are enabled in the generated key. When the IMPTT31D keyword is specified, the key can only be used with the CSNBT31X service.
<b>KEYGENKY</b>	DES	One of the following must be specified: UKPT, CLR8-ENC
<b>MAC</b>	DES	One of the following may be specified: ANY-MAC, CVVKEY-A, CVVKEY-B
<b>MACVER</b>	DES	One of the following may be specified: ANY-MAC, CVVKEY-A, CVVKEY-B
<b>MAC</b>	AES	One of the following must be specified: GENERATE, GENONLY, VERIFY and The following value must be specified: CMAC and One of the following is optional: DKPINOP, DKPINAD1, DKPINAD2  <b>Notes:</b> <ul style="list-style-type: none"> <li>• One of either DKPINOP, DKPINAD1, or DKPINAD2 is required for keys to be used with the DK PIN services.</li> <li>• When DKPINOP, DKPINAD1, or DKPINAD2 is specified, GENERATE is not allowed.</li> </ul>
<b>PINCALC</b>	AES	Three values must be specified: GENONLY, DKPINOP, and CBC.
<b>PINPROT</b>	AES	The following values must be specified: ENCRYPT, CBC and One of the following must be specified: DKPINOPP, DKPINOP, DKPINAD1.
<b>PINPROT</b>	AES	Four values must be specified: DECRYPT, NOFLDFMT, CBC, ISO-4.  <b>Note:</b> All PIN services key usage controls will be enabled.
<b>PINPROT</b>	AES	Four values must be specified: ENCRYPT, NOFLDFMT, CBC, ISO-4.  <b>Note:</b> All PIN services key usage controls will be enabled.
<b>PINPRW</b>	AES	One of the following must be specified: GENONLY, VERIFY and The following values must be specified: DKPINOP, CMAC.

**Notes:**

- Note that certain key usage for these key types prevent a single key from being generated. A complementary key is required or a key value must be specified with the KEY keyword.
- **Diversified Key Generating Keys:** The key-derivation sequence level specifies the hierarchical level of the DKYGENKY. If the sequence level is non-zero, the DKYGENKY can only generate another DKYGENKY key with the sequence level decremented by one. If the sequence level is zero, the DKYGENKY can only generate the final diversified key (a non-DKYGENKY key) with the key type specified by the usage bits.
- **PINPROT Keys:** When specifying an AES CIPHER as the OUTTYPE for an AES PINPROT key, the key usage values must be ENCRYPT and DKPINOPP. The key usage value for the AES CIPHER key is DECRYPT.

*Table 42. Meaning of usage values*

Key Usage Value	Key types	Meaning
<b>ANY-MAC</b>	MAC, MACVER	The MAC usage field (control vector offset 0-3) is set to '0000'b. There is no restriction for this key. This is the default value.
<b>C-XLATE</b>	CIPHER	Restricts the key to be used with the cipher text translate2 service only.
<b>CBC</b>	PINCALC, PINPRW	Use the CBC encryption mode.
<b>CLR8-ENC</b>	KEYGENKY	The CLR8-ENC key usage bit (control vector offset 19) is set to '1'b. The key can only be used with the 'CLR8-ENC' rule array keyword for CSNBDKG.
<b>CMAC</b>	MAC, PINPROT	Use the CMAC algorithm.
<b>CVVKEY-A</b>	MAC, MACVER	The MAC usage field (control vector offset 0-3) is set to '0010'b. When this key is used with CSNBCVG or CSNBCVV, it can only be used as the key A parameter. This is valid with single- and double-length keys.
<b>CVVKEY-B</b>	MAC, MACVER	The MAC usage field (control vector offset 0-3) is set to '0011'b. When this key is used with CSNBCVG or CSNBCVV, it can only be used as the key B parameter. This is valid with single-length keys.
<b>D-ALL</b>	DKYGENKY	All key types can be derived except DKYGENKY keys.
<b>D-CIPHER</b>	DKYGENKY	CIPHER keys can be derived.
<b>D-EXP</b>	DKYGENKY	EXPORTER and OKEYXLAT keys can be derived.
<b>D-IMP</b>	DKYGENKY	IMPORTER and IKEYXLAT keys can be derived.
<b>D-MAC</b>	DKYGENKY	MAC keys can be derived.
<b>D-PCALC</b>	DKYGENKY	PINCALC keys can be derived.
<b>D-PPROT</b>	DKYGENKY	PINPROT keys can be derived.
<b>D-PPRW</b>	DKYGENKY	PINPRW keys can be derived.
<b>D-SECMSG</b>	DKYGENKY	SECMSG keys can be derived.
<b>DALL</b>	DKYGENKY	All key types can be generated except DKYGENKY and KEYGENKY keys. Usage is restricted by an access control point. See the Diversified Key Generate callable service.

<i>Table 42. Meaning of usage values (continued)</i>		
<b>Key Usage Value</b>	<b>Key types</b>	<b>Meaning</b>
<b>DDATA</b>	DKYGENKY	Generate single- and double-length DATA keys.
<b>DECRYPT</b>	PINPROT CIPHER	This key can be used to decrypt DK PIN blocks. This key can be used to decrypt data.
<b>DEXP</b>	DKYGENKY	Generate EXPORTER and OKEYXLAT keys.
<b>DIMP</b>	DKYGENKY	Generate IMPORTER and IKEYXLAT keys.
<b>DKPINAD1</b>	MAC, PINPROT	This key can be used in the DK PIN protection methods to create or verify a pin block to allow the changing of the account number that is associated with a PIN.
<b>DKPINAD2</b>	MAC	This key can be used in the DK PIN protection methods to create or verify an account change string to allow the changing of the account number that is associated with a PIN.
<b>DKPINOP</b>	MAC, PINCALC, PINPROT, PINPRW	This key can be used in the DK PIN protection methods as a general-purpose key. It cannot be used as a special-purpose key.
<b>DKPINOPP</b>	PINPROT	This key is to be used to encrypt a PBF-1 format pin block for the specific purpose of creating a DK PIN mailer.
<b>DKYLO</b>	DKYGENKY	Specifies that this key-generating key can be used to derive the key that is specified by the Key derivation and Derived key usage controls (AES) or control vector (DES).
<b>DKYL1</b>	DKYGENKY	Specifies that this key-generating key can be used to derive a DKYGENKY with a subtype of DKYLO.
<b>DKYL2</b>	DKYGENKY	Specifies that this key-generating key can be used to derive a DKYGENKY with a subtype of DKYL1.
<b>DKYL3</b>	DKYGENKY	Specifies that this key-generating key can be used to derive a DKYGENKY with a subtype of DKYL2.
<b>DKYL4</b>	DKYGENKY	Specifies that this key-generating key can be used to derive a DKYGENKY with a subtype of DKYL3.
<b>DKYL5</b>	DKYGENKY	Specifies that this key-generating key can be used to derive a DKYGENKY with a subtype of DKYL4.
<b>DKYL6</b>	DKYGENKY	Specifies that this key-generating key can be used to derive a DKYGENKY with a subtype of DKYL5.
<b>DKYL7</b>	DKYGENKY	Specifies that this key-generating key can be used to derive a DKYGENKY with a subtype of DKYL6.
<b>DKYUSAGE</b>	DKYGENKY	Specifies that the DKYUSAGE keyword identifies key usage information for the key to be derived by the DKYGENKY. This value is required when the key type to be derived is MAC, PINCALC, PINPROT, PINPRW, and SECMSG. Not valid for D-ALL, D-CIPHER, D-IMP, and D-EXP.
<b>DMAC</b>	DKYGENKY	Single-length and double-length MAC keys can be derived.
<b>DMKEY</b>	DKYGENKY	Secure messaging keys for encrypting keys can be derived..

<i>Table 42. Meaning of usage values (continued)</i>		
<b>Key Usage Value</b>	<b>Key types</b>	<b>Meaning</b>
<b>DMPIN</b>	DKYGENKY	Secure messaging keys for encrypting PINs can be derived.
<b>DMV</b>	DKYGENKY	Single-length and double-length MACVER keys can be derived.
<b>DPVR</b>	DKYGENKY	PINVER keys can be derived.
<b>ENCRYPT</b>	PINPROT CIPHER	This key can be used to encrypt DK PIN blocks. This key can be used to encrypt data.
<b>EXPTT31D</b>	EXPORTER	Key can be used with CSNBT31X to export an AES KDKGENKY or DES DKYGENKY key.
<b>GENERATE</b>	MAC	This key can generate and verify MACs.
<b>GENONLY</b>	MAC, PINCALC, PINPRW	This key can be used to only generate data (MACs, PINs, or PRWs).
<b>IMPTT31D</b>	IMPORTER	Key can be used with CSNBT31I to import an TR-31 key block version "D".
<b>ISO-4</b>	PINPROT	Specifies that ISO-4 PIN blocks can be wrapped.
<b>KUF-MBE</b>	DKYGENKY	Specifies that the key usage fields of the key to be generated must be equal to the related generated key usage fields of the DKYGENKY generating key. Not valid for D-ALL, D-CIPHER, D-IMP, and D-EXP.
<b>KUF-MBP</b>	DKYGENKY	Specifies that the key usage fields of the key to be generated must be permitted based on the related generated key usage fields of the DKYGENKY generating key. The key to be derived is not permitted to have a higher level of usage than the related key usage fields permit. The key to be derived is only permitted to have key usage that is less than or equal to the related key usage fields. Not valid for D-ALL, D-CIPHER, D-IMP, and D-EXP.
<b>NOFLDFMT</b>	PINPROT	Specifies that there is no field format identifier.
<b>UKPT</b>	KEYGENKY	The UKPT key usage bit (control vector offset 18) is set to '1'b. The key can only be used in the CSNBPTR and CSNBPVR services.
<b>VARDRV-D</b>	EXPORTER, IMPORTER	Key can be used to wrap or unwrap an AES TR-31 key block version "D".
<b>VERIFY</b>	MAC, PINPRW	This key can be used to verify data (MACs or PRWs).
<b>V1PYLD</b>	CIPHER, EXPORTER, IMPORTER	The generated key or keys have version 1 (fixed-length) format of the payload for the variable-length symmetric key token. Applies to AES keys only.

**Notes:**

- **Diversified Key Generating Key Note:** The subtype field specifies the hierarchical level of the DKYGENKY. If the subtype is non-zero, then the DKYGENKY can only generate another DKYGENKY

key with the hierarchy level that is decremented by one. If the subtype is zero, the DKYGENKY can only generate the final diversified key (a non-DKYGENKY key) with the key type that is specified by the usage bits.

- **PINPROT Keys:** When specifying an AES CIPHER as the OUTTYPE for an AES PINPROT key, the key usage values must be ENCRYPT and DKPINOPP. The key usage value for the AES CIPHER key is DECRYPT.
- **AES MAC Keys:** When DKPINOP, DKPINAD1, or DKPINAD2 is specified, GENERATE is not allowed.

## Complementary key-usage values

When a pair of keys is generated, one for the local system and the other for a remote system,

- **For the AES CIPHER key type,** the key usage for the complementary key is determined from the values from the KEYUSAGE keyword as shown in [Table 41 on page 184](#). The other values do not have a complementary value and are copied.

Key usage values	Complementary key usage values
ENCRYPT, DECRYPT	ENCRYPT, DECRYPT
ENCRYPT	DECRYPT
DECRYPT	ENCRYPT

- **For the AES MAC key type,** the key usage for the complementary key is determined from the values from the KEYUSAGE keyword as shown in [Table 41 on page 184](#). The other values do not have a complementary value and are copied. Note that for any key that is generated for the DK PIN methods, the local system gets the GENONLY key-usage. VERIFY key-usage is not allowed.

Key usage values	Complementary key usage values
GENERATE	GENERATE
GENONLY	VERIFY
GENONLY, DKPINOP	VERIFY, DKPINOP
GENONLY, DKPINAD1	VERIFY, DKPINAD1
GENONLY, DKPINAD2	VERIFY, DKPINAD2
VERIFY	GENONLY

- **For the AES PINPROT key type:**
  - When CLEAR or TRANSKEY is specified, ENCRYPT and DECRYPT are complementary values.
  - When the NOFLDFMT common control usage is specified, all PIN service control values are enabled as appropriate.
  - The other values do not have a complementary value and are copied.
- **For the AES PINPRW key types:**
  - When TRANSKEY is specified, the GENONLY value is allowed for the local system and VERIFY values is allowed for the remote system.
  - When CLEAR is specified, GENONLY and VERIFY are complementary values.
  - The other values do not have a complementary value and are copied.
- **For the AES DKYGENKY key type,** the key usage values for the complementary key are the complement of the generated key. There are restrictions for the values that are specified in the DKYGENKYUSAGE keyword. See the DKYGENKYUSAGE keyword description.



- **For all other key types**, both keys are generated with the same key-usage values.

## DES

This keyword is no longer supported but is tolerated.

## KEYMGT(key-management-value1[,key-management-value2])

This keyword defines the key management value for the key that is being generated. The values are used to govern the management of the key.

The associated data for variable length tokens is described in Appendix B of *z/OS Cryptographic Services ICSF Application Programmer's Guide*. The DES control vector is described in Appendix C of *z/OS Cryptographic Services ICSF Application Programmer's Guide*.

The following values are defined. The management values are specific to a key type. The values can be specified only for the key type that is indicated in Table 45 on page 191 and Table 46 on page 192.

**Note:** Any value with a non-alphanumeric character must be enclosed in quotation marks when specified with the KEYMGT keyword. For example, KEYMGT( 'COMP-TAG' ).

When a pair of keys is generated (one for the local system and the other for a remote system), both keys are generated with the same key-management values when the KEYMGT keyword is used.

KGUP adds the KEYMGT('WRAP-ENH') keyword to the output control statement when the default wrapping method is enhanced.

Key type	Key algorithm	Key management values
CIPHER	DES	The following values are optional: COMP-TAG, WRAP-ENH.
CIPHERXI	DES	The following values are optional: COMP-TAG, WRAP-ENH.
CIPHERXL	DES	The following values are optional: COMP-TAG, WRAP-ENH.
CIPHERXO	DES	The following values are optional: COMP-TAG, WRAP-ENH.
DATA	DES	The following value is optional: WRAP-ENH.
DATAM	DES	The following values are optional: COMP-TAG, WRAP-ENH.
DATAMV	DES	The following values are optional: COMP-TAG, WRAP-ENH.
DECIPHER	DES	The following values are optional: COMP-TAG, WRAP-ENH.
DKYGENKY	DES	The following values are optional: COMP-TAG, WRAP-ENH.

<i>Table 45. Management values for key types (continued)</i>		
<b>Key type</b>	<b>Key algorithm</b>	<b>Key management values</b>
ENCIPHER	DES	The following values are optional: COMP-TAG, WRAP-ENH.
EXPORTER	DES	The following values are optional: COMP-TAG, WRAP-ENH.
IMPORTER	DES	The following values are optional: COMP-TAG, WRAP-ENH.
IMPPKA	DES	The following values are optional: COMP-TAG, WRAP-ENH.
IPINENC	DES	The following values are optional: COMP-TAG, WRAP-ENH.
KEYGENKY	DES	The following values are optional: COMP-TAG, WRAP-ENH.
MAC	DES	The following values are optional: COMP-TAG, WRAP-ENH.
MACVER	DES	The following values are optional: COMP-TAG, WRAP-ENH.
OPINENC	DES	The following values are optional: COMP-TAG, WRAP-ENH.
PINGEN	DES	The following values are optional: COMP-TAG, WRAP-ENH.
PINVER	DES	The following values are optional: COMP-TAG, WRAP-ENH.

<i>Table 46. Meaning of management values</i>		
<b>Key management value</b>	<b>Key types</b>	<b>Meaning and notes</b>
COMP-TAG	CIPHER, CIPHERXI, CIPHERXL, CIPHERXO, DATAM, DATAMV, DECIPHER, DKYGENKY, ENCIPHER, EXPORTER, IMPORTER, IMPPKA, IPINENC, KEYGENKY, MAC, MACVER, OPINENC, PINGEN, PINVER	<p>The key is marked to be used with PCI-HSM compliant applications.</p> <p>This value cannot be used with single-length keys.</p> <p>This value cannot be used when the NOCV keyword is specified.</p>

<i>Table 46. Meaning of management values (continued)</i>		
<b>Key management value</b>	<b>Key types</b>	<b>Meaning and notes</b>
WRAP-ENH	All DES key types	The wrapping method is the enhanced method. The wrapping method is ANSI X9.24 compliant.

**DKYGENKYUSAGE(key-usage-value1[,key-usage-value2])**

This keyword defines key usage values to be supplied for the AES DKYGENKY key that is being generated. This keyword is required when the DKYUSAGE value is specified in the KEYUSAGE keyword.

The following values have been defined. The usage values are specific to the key type to be derived. The values can be specified only for the key type that is indicated in [Table 47 on page 193](#) and [Table 48 on page 194](#). The values for the specific key types are detailed in this document in the Key Token Build2 callable service description.

**Note:** Any value with a non-alphanumeric character must be enclosed in quotation marks when specified with the DKYGENKYUSAGE keyword. For example, DKYGENKYUSAGE( 'CVVKEY-A' ).

<i>Table 47. Values by type for DKYGENKYUSAGE</i>	
<b>Type of key to be derived</b>	<b>DKYGENKYUSAGE values</b>
<b>CIPHER</b>	The following values are optional: C-XLATE, DECRYPT, ENCRYPT  <b>Note:</b> The key that is generated when DKYGENKYUSAGE is not specified has DECRYPT and ENCRYPT key-usage. This is the default.
<b>MAC</b>	One of the following values is required: GENERATE, GENONLY, VERIFY  and The following value is required: CMAC  and One of the following values is optional: DKPINAD1, DKPINAD2, DKPINOP  <b>Notes:</b> <ul style="list-style-type: none"> <li>• One of DKPINOP, DKPINAD1, or DKPINAD2 is required for keys to be used with the DK PIN services.</li> <li>• When DKPINOP, DKPINAD1, or DKPINAD2 is specified, GENERATE is not allowed.</li> </ul>
<b>PINCALC</b>	The following values are required: GENONLY, CBC, DKPINOP.
<b>PINPROT</b>	One of the following values is required: DECRYPT, ENCRYPT  and The following value is required: CBC  and One of the following values is required: DKPINAD1, DKPINOP, DKPINOPP

<i>Table 47. Values by type for DKYGENKYUSAGE (continued)</i>	
Type of key to be derived	DKYGENKYUSAGE values
<b>PINPRW</b>	One of the following values is required: GENONLY, VERIFY and The following values are required: CMAC, DKPINOP
<b>SECMSG</b>	The following value is required: SMPIN and One of the following values is required: ANY-USE, DPC-ONLY

<i>Table 48. Meaning of usage values</i>		
Value	Key types	Description
<b>ANY-USE</b>	SECMSG	The use of the key in a callable service is not restricted.
<b>CBC</b>	PINPROT, PINCALC	The derived key must use the CBC encryption mode.
<b>CMAC</b>	MAC, PINPRW	The derived key must use the CMAC algorithm.
<b>C-XLATE</b>	CIPHER	Restricts the key to be used with the cipher text translate2 service only.
<b>DPC-ONLY</b>	SECMSG	The use of the key is restricted to the DK PIN Change service.
<b>DECRYPT</b>	CIPHER, PINPROT	The derived key can be used to decrypt PIN blocks.
<b>DKPINAD1</b>	MAC, PINPROT	The derived key can be used to create or verify a pin block to allow changing the account number associate with a PIN for the DK PIN methods.
<b>DKPINAD2</b>	MAC	The derived key can be used to create or verify an account change string to allow changing the account number that is associated with a PIN for the DK PIN methods.
<b>DKPINOP</b>	MAC, PINCALC, PINPROT, PINPRW	The derived key can be used as a general-purpose key for the DK PIN methods.
<b>DKPINOPP</b>	PINPROT	The derived key can be used to encrypt a PIN block for the specific purpose of creating a PIN mailer for the DK PIN methods.
<b>ENCRYPT</b>	CIPHER, PINPROT	The derived key can be used to encrypt PIN blocks.
<b>GENERATE</b>	MAC	The derived key can be used to generate and verify MACs.
<b>GENONLY</b>	MAC, PINCALC	The derived key can be used to generate MACs or PINs.
<b>SMPIN</b>	SECMSG	Enable the encryption of PINs in an EMV secure message.

<i>Table 48. Meaning of usage values (continued)</i>		
Value	Key types	Description
<b>VERIFY</b>	MAC	The derived key can be used to verify MACs.

## Complementary DKYGENKY usage values

When a pair of DKYGENKY keys is generated, one for the local system and the other for a remote system, the complementary key has a different value as shown in [Table 49 on page 195](#). Values that do not appear in the table are copied for the complementary key.

<i>Table 49. Complementary values for usage values</i>		
Type of key to be derived	DKYGENKY usage value	Complementary value
<b>CIPHER</b>	ENCRYPT	DECRYPT
<b>CIPHER</b>	DECRYPT	ENCRYPT
<b>MAC</b>	GENERATE	GENERATE
<b>MAC</b>	GENONLY	VERIFY
<b>MAC</b>	VERIFY	GENONLY
<b>MAC with DKPINOP, DKPINAD1 or DKPINAD2</b>	GENONLY	VERIFY
<b>PINCALC</b>	Not allowed	Not allowed
<b>PINPROT</b>	ENCRYPT	DECRYPT
<b>PINPRW</b>	GENONLY	VERIFY



**Attention:** NOCV processing takes place automatically when KGUP or an application specifies the use of a transport key that was generated by KGUP with a NOCV keyword specified.

The use of NOCV processing eliminates the ability of the system that generates the key to determine the use of the key on a receiving system. Therefore, access to these keys should be strictly controlled. For a description of security considerations, see *z/OS Cryptographic Services ICSF System Programmer's Guide*.

## Using the ADD and UPDATE control statements for key management and distribution functions

You use the ADD and UPDATE control statements to run KGUP for functions that involve key generation, maintenance, and distribution. For ADD and UPDATE control statements, KGUP either imports a key value that you supply or generates a key value. KGUP allows the creation and maintenance of clear key tokens in the CKDS. This topic describes the combinations of control statement keywords you use to perform these functions. [Table 50 on page 195](#) shows the keyword combinations permitted on ADD and UPDATE control statements.

<i>Table 50. Keyword Combinations Permitted in ADD and UPDATE Control Statements for DES Keys. Keyword Combinations Permitted in ADD and UPDATE Control Statements for DES Keys</i>							
Control Statement	LABEL or RANGE	TYPE	OUTTYPE	TRANSKEY or CLEAR	NOC V	ALGORITHM	LENGTH or KEY
<b>ADD</b>	Yes	Yes	Yes <sup>1</sup>	Yes <sup>2</sup>	Yes <sup>3</sup>	Yes	Yes <sup>1</sup>
<b>UPDATE</b>	Yes	Yes	Yes <sup>1</sup>	Yes <sup>2</sup>	Yes <sup>3</sup>	Yes	Yes <sup>1</sup>

**Note:**

1. OUTTYPE can be used with either TRANSKEY or CLEAR but is mutually exclusive with KEY.
2. TRANSKEY is not valid when TYPE is NULL, CLRDES or CLRAES.
3. NOCV is not valid when TRANSKEY is specified with two key labels. It is not valid when TYPE is CLRDES or CLRAES.

Table 51. Keyword Combinations Permitted in ADD and UPDATE Control Statements for AES Keys. Keyword Combinations Permitted in ADD and UPDATE Control Statements for AES Keys

Control Statement	LABEL or RANGE	TYPE	OUTTYPE	TRANSKEY or CLEAR	ALGORITHM	LENGTH or KEY
ADD	Yes	Yes	Yes <sup>1</sup>	Yes <sup>2</sup>	Required	Yes <sup>1</sup>
UPDATE	Yes	Yes	Yes <sup>1</sup>	Yes <sup>2</sup>	Required	Yes <sup>1</sup>

**Note:**

1. OUTTYPE can be used with either TRANSKEY or CLEAR but is mutually exclusive with KEY.
2. TRANSKEY is not valid when TYPE is NULL, CLRDES or CLRAES.

## To Import Keys

You use an ADD or UPDATE control statement to supply a value to KGUP. The program receives the value, enciphers the value under a master key variant, and places the value in a CKDS entry. The value that you supply may be in clear form or it may be encrypted under a transport key. The statement that contains the value may be sent from another system. The other system sends the value to create a key on your system. This key is the complement of a key that was generated on the other system.

You can supply a transport key value to KGUP from a system that does not use control vectors. You use the key for key exchange with that system. KGUP places the key into the CKDS with an indication that the key is to be used without control vectors.

### Import a Clear Key Value

You can supply a clear key value on a control statement for KGUP to import.

These statements show the syntax when you supply a clear key value to KGUP.

**Note:** For these control statements, your system should be in special secure mode.

When you supply a single-length, clear key value:

```
ADD or UPDATE LABEL(label) TYPE(data,exporter,importer,
mac,macver, or any PIN key) CLEAR KEY(key-value)
```

When you supply a double-length, clear key value:

```
ADD or UPDATE LABEL(label) TYPE(data,datam,datamv,exporter,importer,
or any PIN key) CLEAR KEY(key-value, key-value)
```

When you supply a triple-length, clear key value:

```
ADD or UPDATE LABEL(label) TYPE(data),
CLEAR KEY(key-value, key-value, key-value)
```

When you supply a single-length clear key value and you use the key to exchange keys with a cryptographic product that does not use control vectors or double-length keys:

```
ADD or UPDATE LABEL(label) TYPE(exporter or importer),
CLEAR KEY(key-value) NOCV
```

When you supply a double-length, clear key value, and you use the key to exchange keys with a cryptographic product that does not use control vectors:

```
ADD or UPDATE LABEL(label) TYPE(exporter or importer),
CLEAR KEY(key-value,key-value) NOCV
```

**Import a Clear Key Value for AES keys:** You can supply a clear key value on a control statement for KGUP to import.

When you supply a 128-bit clear key value for an AES DATA key:

```
ADD or UPDATE LABEL(label) TYPE(data) ALGORITHM(AES),
CLEAR KEY(key-value,key-value)
```

When you supply a 192-bit clear key value for an AES key that uses the variable-length token:

```
ADD or UPDATE LABEL(label) TYPE(cipher, exporter, or importer),
ALGORITHM(AES) CLEAR KEY(key-value,key-value)
```

**CLRDES and CLRAES key types:** The CLEAR keyword is not allowed because the key type indicates that the KEY is a clear key value. Also, special secure mode is not required for these key types.

```
ADD or UPDATE LABEL(label) TYPE(clraes),
KEY(key-value, key-value)
```

```
ADD or UPDATE LABEL(label) TYPE(clrdes),
KEY(key-value, key-value)
```

### ***Import an Encrypted Key Value for DES keys***

When you supply KGUP with an encrypted key value, the value is encrypted under a transport key. The transport key is one key in a complementary key pair that you share with another system. When the other system's KGUP generated a key, the program also stored a control statement to use to create the complementary key. The other system sends the control statement to your system. You can use the statement to supply an encrypted key value to KGUP to create the key.

These statements show the syntax when you supply an encrypted key value to KGUP.

When you supply a single-length, encrypted key value:

```
ADD or UPDATE LABEL(label) TYPE(data,exporter,importer,
mac,macver, or any PIN key) TRANSKEY(key-label 1) KEY(key-value)
```

When you supply a double-length, encrypted key value:

```
ADD or UPDATE LABEL(label) TYPE(data,datam,datamv,exporter,importer,
or any PIN key) TRANSKEY(key-label 1) KEY(key-value,key-value)
```

When you supply a triple-length, encrypted key value:

```
ADD or UPDATE LABEL(label) TYPE(data),
TRANSKEY(key-label 1) KEY(key-value, key-value, key-value)
```

When you supply a single-length, encrypted key value, and you are using the key to exchange keys with a cryptographic product that does not use control vectors or double-length keys:

```
ADD or UPDATE LABEL(label) TYPE(exporter or importer),
TRANSKEY(key-label 1) KEY(key-value) NOCV
```

**Note:** Single-length keys with replicated key parts can be brought in under a TRANSKEY only if the TRANSKEY is an NOCV IMPORTER.

When you supply a double-length encrypted key value and you will use the key to exchange keys with a cryptographic product that does not use control vectors:

```
ADD or UPDATE LABEL(label) TYPE(exporter or importer),
TRANSKEY(key-label 1) KEY(key-value,key-value) NOCV
```

## To Generate Keys

You use an ADD or UPDATE control statement to have KGUP generate a key value to place in the CKDS. The program generates the value, enciphers the value under a master key variant, and places the value in the CKDS. When KGUP generates a key, the program may also store information to create the key's complement in a data set.

You can have KGUP generate a transport key that you use to send or receive keys from a system that does not use control vectors. KGUP places the key into the CKDS with an indication that the key is to be used without control vectors.

**Note:** If you specify a transport key on the UPDATE control statement and you do not supply a key value, KGUP generates a new key value and updates the existing record with the new key value in the CKDS. For more information, see [“Example 7: UPDATE Control Statement with Key Value and Transkey Keywords”](#) on page 206.

### ***Generate an Importer Key For File Encryption***

You can have KGUP create an importer key without having KGUP store information about the complement of the key. You do not use the importer key in key exchange with another system. You use the importer key to encrypt a data-encrypting key that you use to encrypt data in a file on your system. You can store the data-encrypting key with the file, because the data-encrypting key is encrypted under the importer key.

These statements show the syntax when you generate an importer key to use in file encryption on a system:

When you generate a single-length key value:

```
ADD or UPDATE LABEL(label) or RANGE(start-label,end-label),  
TYPE(importer) SINGLE
```

When you generate a double-length key value:

```
ADD or UPDATE LABEL(label) or RANGE(start-label,end-label),  
TYPE(importer)
```

### ***Generate an AES data key***

You can have KGUP create an AES data key. The keys may be 128-, 192- or 256-bits in length.

These statements show the syntax when you generate an AES data key on a system.

When you generate a 128-bit key value:

```
ADD or UPDATE ALGORITHM(AES) LABEL(label) or RANGE(start-label,end-label),  
TYPE(data) LENGTH(16)
```

When you generate a 192-bit key value:

```
ADD or UPDATE ALGORITHM(AES) LABEL(label) or RANGE(start-label,end-label),  
TYPE(data) LENGTH(24)
```

### ***Generate a Complementary, Clear Key Value***

You can have KGUP store complementary key information when KGUP generates a key. This information includes the key value. You send the information to another system which uses the information to generate the complementary key. KGUP stores the key value to create the complementary key in either clear or encrypted form. KGUP stores information both in and not in the form of a control statement.

These statements show the syntax when you have KGUP store the complementary key value in clear form.

**Note:** For these control statements, your system should be in special secure mode.



When you generate a single-length, transport or PIN clear key value:

```
ADD or UPDATE LABEL(label) or RANGE(start-label,end-label),
TYPE(exporter,importer,ipinenc,opinenc, or pingen) CLEAR SINGLE
```

When you generate a single-length, DATA clear key value:

```
ADD or UPDATE LABEL(label) or RANGE(start-label,end-label),
TYPE(data) LENGTH(8) CLEAR
```

When you generate a double-length, DATA clear key value:

```
ADD or UPDATE LABEL(label) or RANGE(start-label,end-label),
TYPE(data) LENGTH(16) CLEAR
```

When you generate a triple-length, DATA clear key value:

```
ADD or UPDATE LABEL(label) or RANGE(start-label,end-label),
TYPE(data) LENGTH(24) CLEAR
```

When you generate a single-length, MAC clear key value:

```
ADD or UPDATE LABEL(label) or RANGE(start-label,end-label),
TYPE(mac) OUTTYPE(mac or macver) CLEAR
```

When you generate a double-length, DATAM clear key value:

```
ADD or UPDATE LABEL(label) or RANGE(start-label,end-label),
TYPE(datam) LENGTH(16) OUTTYPE(datam or datamv) CLEAR
```

When you generate a double-length, PINGEN clear key value:

```
ADD or UPDATE LABEL(label) or RANGE(start-label,end-label),
TYPE(pingen) LENGTH(16) CLEAR
```

When you generate a double-length, clear key value:

```
ADD or UPDATE LABEL(label) or RANGE(start-label,end-label),
TYPE(exporter,importer,ipinenc,opinenc, or pingen) CLEAR
```

When you generate a single-length, clear key value, and you are using the key to exchange keys with a cryptographic product that does not use control vectors:

```
ADD or UPDATE LABEL(label) or RANGE(start-label,end-label),
TYPE(exporter or importer) CLEAR NOCV SINGLE
```

When you generate a double-length, clear key value, and you are using the key to exchange keys with a cryptographic product that does not use control vectors:

```
ADD or UPDATE LABEL(label) or RANGE(start-label,end-label),
TYPE(exporter or importer) LENGTH(16) CLEAR NOCV
```

When you generate a triple-length, clear key value, and you are using the key to exchange keys with a cryptographic product that does not use control vectors:

```
ADD or UPDATE LABEL(label) or RANGE(start-label,end-label),
TYPE(exporter or importer) $TRIPLE CLEAR NOCV
```

When you generate a double-length, clear key value, and you are using the key to exchange keys with a cryptographic product that does not use control vectors:

```
ADD or UPDATE LABEL(label) or RANGE(start-label,end-label),
TYPE(exporter or importer) CLEAR NOCV
```

When you generate a clear key value to transport data-encrypting keys for use in the DES algorithm:

```
ADD or UPDATE LABEL(label) TYPE(exporter or importer) CLEAR
```

### ***Generate a Complementary, Encrypted Key Value***

KGUP encrypts the complementary key value under the exporter key that you specify.

These statements show the syntax when you have KGUP generate the complementary key value in encrypted form.

When you generate a single-length, transport or PIN encrypted key value:

```
ADD or UPDATE LABEL(label) or RANGE(start-label,end-label),  
TYPE(exporter,importer,ipinenc,opinenc, or pingenc),  
TRANSKEY(key-label 1) SINGLE
```

When you generate a single-length, DATA encrypted key value:

```
ADD or UPDATE LABEL(label) or RANGE(start-label,end-label),  
TYPE(data) OUTTYPE(data) TRANSKEY(key-label 1)
```

When you generate a single-length, MAC encrypted key value:

```
ADD or UPDATE LABEL(label) or RANGE(start-label,end-label),  
TYPE(mac) OUTTYPE(mac or macver) TRANSKEY(key-label 1)
```

When you generate a double-length, encrypted key value:

```
ADD or UPDATE LABEL(label) or RANGE(start-label,end-label),  
TYPE(exporter,importer,ipinenc,opinenc, or pingenc) TRANSKEY(key-label 1)
```

When you generate a double-length DATA encrypted key value:

```
ADD or UPDATE LABEL(label) or RANGE(start-label,end-label),  
TYPE(data or datam) LENGTH(16) TRANSKEY(key-label 1)
```

When you generate a double-length DATAM encrypted key value:

```
ADD or UPDATE LABEL(label) or RANGE(start-label,end-label),  
TYPE(datam) TRANSKEY(key-label 1)
```

When you generate a triple-length DATA encrypted key value:

```
ADD or UPDATE LABEL(label) or RANGE(start-label,end-label),  
TYPE(data) LENGTH(24) TRANSKEY(key-label 1)
```

When you generate a single-length, encrypted key value, and you are using the key to exchange keys with a cryptographic product that does not use control vectors:

```
ADD or UPDATE LABEL(label) or RANGE(start-label,end-label),  
TYPE(exporter or importer) TRANSKEY(key-label 1) SINGLE NOCV
```

When you generate a double-length, encrypted key value, and you are using the key to exchange keys with a cryptographic product that does not use control vectors.

```
ADD or UPDATE LABEL(label) or RANGE(start-label,end-label),  
TYPE(exporter or importer) TRANSKEY(key-label 1) NOCV
```

### ***Generate a Complementary Key Pair For Other Systems***

You can also use KGUP as a key distribution center. KGUP generates a pair of complementary key values that are both used on other systems. KGUP encrypts the values under appropriate variants of two different exporter key-encrypting keys. KGUP does not alter your system's CKDS. The program stores two control statements each containing one of the keys that are encrypted under a transport key. You send the statements to two other sites which can create the keys and use the keys to exchange keys.

These statements show the syntax when you have KGUP generate a pair of complementary key values to send to other systems.

When you generate single-length transport or PIN key values:

```
ADD or UPDATE LABEL(label) or RANGE(start-label,end-label),
TYPE(exporter,importer,ipinenc,opinenc, or pingenc),
TRANSKEY(key-label 1,key-label 2) SINGLE
```

When you generate single-length DATA key values:

```
ADD or UPDATE LABEL(label) or RANGE(start-label,end-label),
TYPE(data) OUTTYPE(data) TRANSKEY(key-label 1,key-label 2)
```

When you generate double-length DATA key values:

```
ADD or UPDATE LABEL(label) or RANGE(start-label,end-label),
TYPE(data) LENGTH(16) TRANSKEY(key-label 1,key-label 2)
```

When you generate triple-length DATA key values:

```
ADD or UPDATE LABEL(label) or RANGE(start-label,end-label),
TYPE(data) LENGTH(24) TRANSKEY(key-label 1,key-label 2)
```

When you generate single-length MAC key values:

```
ADD or UPDATE LABEL(label) or RANGE(start-label,end-label),
TYPE(mac) OUTTYPE(mac or macver) TRANSKEY(key-label 1,key-label 2)
```

When you generate double-length DATAM key values:

```
ADD or UPDATE LABEL(label) or RANGE(start-label,end-label)
TYPE(datam) OUTTYPE(datam or datamv),
TRANSKEY(key-label 1,key-label 2)
```

When you generate a double-length key value:

```
ADD or UPDATE LABEL(label) or RANGE(start-label,end-label),
TYPE(exporter,importer,ipinenc,opinenc, or pingenc),
TRANSKEY(key-label 1,key-label 2)
```

## To Create NULL Keys

You can use KGUP to create an initial record in the CKDS. To do this, you create an ADD control statement with a key TYPE of NULL. Once you have created this key record, you can use the Key Record Write callable service to place a key value in the record.

If you are generating a large number of keys, you will get better performance if you create the NULL key records with KGUP. This is preferable to using the Key\_Record\_Create callable service.

### Create NULL Key Records

You can use KGUP to create a single NULL key record or a range of NULL key records. This statement shows the syntax you use:

```
ADD LABEL(label) or RANGE(start-label,end-label) TYPE(null)
```

## Syntax of the RENAME Control Statement

The RENAME control statement changes the label of a key entry in the CKDS. KGUP does not change any other information in the entry.

The RENAME control statement has this syntax:

## RENAME

**LABEL** (*old-label*, *new-label*)

**TYPE** (*key-type*)

Figure 53. RENAME Control Statement Syntax

### **LABEL**(old-label,new-label)

This keyword specifies the labels of the CKDS entries that you want KGUP to process. For the general rules about key label conventions and uniqueness, see [“General Rules for CKDS Records”](#) on page 172.

First you specify the old label which is the current label in the CKDS that KGUP changes. Then you specify the new label to replace the old label.

### **TYPE**(key-type)

Because you can use the same label in entries with different key types, this keyword specifies the type of key for the old entry and the new entry.

## Syntax of the DELETE Control Statement

DELETE control statements instruct KGUP to remove key entries from the CKDS.

The DELETE control statement has this syntax:

## DELETE

{**LABEL** (*label*[, *label*]...) | **RANGE** (*start-label*, *end-label*)}

**TYPE** (*key-type*)

Figure 54. DELETE Control Statement Syntax

### **LABEL** (*label*[,*label*]...)

This keyword defines the names of the key entries for KGUP to delete from the CKDS. KGUP deletes a separate entry for each label.

You must specify at least one key label, and you can specify up to 64 labels with the LABEL keyword. For the general rules about key label conventions and uniqueness, see [“General Rules for CKDS Records”](#) on page 172.

On a KGUP control statement, you must specify either the LABEL or RANGE keyword.

### **RANGE** (*start-label*, *end-label*)

This keyword defines the range of the multiple labels that you want KGUP to delete from the CKDS.

The label consists of between 2 and 64 characters that are divided as follows:

- The first 1 to 63 characters are the label base. These characters must be identical on both the start-label and end-label and are repeated for each label in the range. For the general rules about key label conventions and uniqueness, see [“General Rules for CKDS Records”](#) on page 172.
- The last 1 to 4 characters form the suffix. The number of digits in the start-label and end-label must be the same, and the characters must all be numeric. These numeric characters establish the range of labels KGUP creates. The start-label numeric value must be less than the end-label numeric value.

### **TYPE**(key-type)

Because you can use the same label in entries with different key types, this keyword specifies the type of key that is being deleted.

## To Delete Keys

You can use a KGUP control statement to remove a key or a range of keys from the CKDS. This statement shows the syntax when you delete keys from the CKDS:

```
DELETE LABEL(label) or RANGE(start-label,end-label)
TYPE(data,exporter,importer,ipinenc,mac,macver,
null,opinenc,pingen, or pinver)
```

## Syntax of the SET Control Statement

The SET control statement specifies data you want KGUP to pass to the installation-defined exit routine for processing.

The SET control statement has this syntax:

```
SET
  INSTDATA(data-value)
```

Figure 55. SET Control Statement Syntax

### INSTDATA(data-value)

This keyword specifies the data KGUP sends to the KGUP exit routine while processing control statements.

During a KGUP job, the data you specify with the INSTDATA keyword is held and sent to the exit routine each time the exit is entered for control statement processing. The same information is sent until KGUP encounters another SET control statement. The data you specified in this SET control statement replaces the data you specified in the previous SET control statement.

A KGUP exit routine performs different operations that depend on the data that is sent and the time of the call. A KGUP exit routine can change the data you send the exit and send the changed data to the user area of a key entry in the CKDS. The user area of a key entry can contain any information that you choose to store in the area.

For more information about the KGUP exit routine, see [z/OS Cryptographic Services ICSF System Programmer's Guide](#).

The maximum length of the character string that you can specify to an exit routine is 52 bytes. If you use blanks or special characters within the string, then you must delimit the entire string with single quotes ('). These quotes are not included as part of the 52-byte string.

## Syntax of the OPKYLOAD Control Statement

The OPKYLOAD control statement specifies the operational key created by the TKE workstation on a CCA coprocessor that you want KGUP to load to the CKDS. An SMF record type 82 subtype 7 will be generated when the key is written to the CKDS.

The OPKYLOAD control statement has this syntax:

```
OPKYLOAD
  LABEL (key-label)
  SERNBR (coprocessor-serial-number)
  [WRAPENH]
  [NOCV]
```

Figure 56. OPKYLOAD Control Statement Syntax

### LABEL (key-label)

This label must match the label used to create the key by the TKE workstation on the coprocessor.

### SERNBR (coprocessor-serial-number)

The serial number is available on the Service Element panels and the ICSF coprocessor management panel. The coprocessor-serial-number is the serial number of the coprocessor where the key identified by the key-label has been loaded from the TKE workstation.

## WRAPENH

WRAPENH specifies that DES keys should be wrapped with the enhanced wrapping method. When this keyword is not specified, the key is wrapped based on the default wrapping parameter DEFAULTWRAP in the installation options data set. When the coprocessor does not support enhanced wrapping for DES keys, this keyword has no affect. DES keys that are required to be enhanced wrapped will always be wrapped with the enhanced method and this keyword has no affect.

## NOCV

NOCV specifies that the DES IMPORTER/EXPORTER key being written to the CKDS should be NOCV IMPORTER/EXPORTER. The key must have a default control vector.

## Examples of Control Statements

### Example 1: ADD Control Statement

This example shows a control statement that specifies that KGUP add an entry to the CKDS.

```
ADD TYPE(IMPORTER) LABEL(DASDOCT93401E)
```

KGUP checks that an entry labeled DASDOCT93401E with a keytype of importer does not already exist in the CKDS. KGUP allows EXPORTER, IMPORTER, IPINENC, PINGEN, PINVER, and OPINENC key pairs to have the same label. All other key types require a unique label. If the key entry already exists, KGUP stops processing the control statement.

If the entry does not exist, KGUP creates the entry with a label of DASDOCT93401E and type of IMPORTER. KGUP generates a double-length key and encrypts the key under the master key. KGUP places the key in the entry.

**Note:** Because neither the TRANSKEY nor CLEAR keyword is specified, KGUP does not create a complementary key. You cannot use this key to communicate with another system. You can, however, use the key to encipher a key stored with data in a file. CIPHER, CIPHERXL, DATA, DATAM, DKYGENKY, IMPORTER, KEYGENKY and MAC are the only key types that do not require either the TRANSKEY or CLEAR keyword specified.

### Example 2: ADD Control Statement with CLEAR Keyword

This example shows a control statement that specifies that KGUP add an entry to the CKDS. Because the CLEAR keyword is specified, KGUP processes only this control statement if ICSF is in special secure mode.

```
ADD TYPE(EXPORTER) LABEL(ATMBRANCH5M0001) CLEAR
```

KGUP checks that an entry with the label ATMBRANCH5M0001 with the type EXPORTER does not already exist in the CKDS. KGUP allows EXPORTER, IMPORTER, IPINENC, PINGEN, PINVER, and OPINENC key pairs to have the same label. All other key types require a unique label. If the entry already exists, KGUP stops processing the control statement.

If the entry does not exist, KGUP creates the entry for the label specified and the type exporter. KGUP generates a double-length key, encrypts the key under the master key, and places the key in the entry.

KGUP stores information to the key output data set. You can send the information to another system that does not use KGUP. The other system uses the information to create the complements of the keys you created. The information contains the clear key value and specifies the key type as importer.

For example, the control statement would be in this format:

```
ADD TYPE(IMPORTER) LABEL(ATMBRANCH5M0001) CLEAR,  
KEY(6709E5593933DA00,9099937DDE93A944)
```

The key value is the clear key value of the key created. The type of key is the complement of the type of key created.

**Note:** The key in the previous example is a mixed parity key. KGUP imports mixed parity keys, but issues a warning message.

### Example 3: ADD Control Statement with one TRANSKEY Keyword

This example shows a control statement that specifies that KGUP add an entry to the CKDS. Because the TRANSKEY keyword is specified, KGUP also creates a control statement that another installation uses to create the complement of the key for PIN exchange.

```
ADD TYPE(IPINENC) LABEL(LOCTOJWL.JULY03) TRANSKEY(SENDJWL.JULY03)
```

KGUP checks that an entry with the label LOCTOJWL . JULY03 for an input PIN-encrypting key does not already exist in the CKDS. KGUP allows EXPORTER, IMPORTER, IPINENC, PINGEN, PINVER, and OPINENC key pairs to have the same label. All other key types require a unique label. If the entry already exists, KGUP stops processing the control statement.

If the entry does not exist, KGUP creates the entry with a label of LOCTOJWL . JULY03 and type of IPINENC. KGUP generates a double-length key. KGUP encrypts the key under the master key and places the key in the entry.

KGUP stores information to the key output data set. You can send the information to another system that does not use KGUP. The other system uses the information to create the complement of the key you created. The information contains the key in exportable form. The key is encrypted under the exporter key, labelled SENDJWL . JULY03, that was specified by the TRANSKEY keyword. The information specifies the key type as output PIN-encrypting key (OPINENC).

**Note:** If SENDJWL . JULY03 is a DES NOCV exporter, the exportable OPINENC key is encrypted without a control vector.

KGUP stores a control statement to the control statement output data set. You can send the control statement to another system. The other system's KGUP uses the statement to create a key that complements the key that you created.

For example, the control statement would be in this format:

```
ADD TYPE(OPINENC) LABEL(LOCTOJWL.JULY03) TRANSKEY(SENDJWL.JULY03),  
KEY(6709E5593933DA00,9099937DDE93A944)
```

The key value is the encrypted value of the key that KGUP created. The key is encrypted under the exporter key, labeled SENDJWL . JULY03, which was the transport key label that was specified on the original control statement. The type of key is the complement of the type of key it created.

### Example 4: ADD Control Statement with two TRANSKEY Keywords

This example shows a control statement specifying that KGUP create keys for key exchange between two other sites.

```
ADD TYPE(EXPORTER) LABEL(JWL@SSIJULY03),  
TRANSKEY(SENDTOJWLJULY03,SENDTOSIIJULY03)
```

KGUP generates a key value and encrypts the value under the variants of the exporter key-encrypting keys that are specified by the TRANSKEY keyword. KGUP does not alter the CKDS in any way.

KGUP stores these two control statements to the control statement output data set:

```
ADD TYPE(EXPORTER) LABEL(JWL@SSIJULY03) TRANSKEY(SENDTOJWLJULY03),  
KEY(4542E37B570033AD,3C00F6850A99E11B)  
  
ADD TYPE(IMPORTER) LABEL(JWL@SSIJULY03) TRANSKEY(SENDTOSIIJULY03),  
KEY(6709E5993933DA00,1449A3D9ED0A1586)
```

The control statements create keys that complement each other. You send the statements to two sites that want to exchange keys. The receiving sites process the statements to create a complementary pair of transport keys.

KGUP also stores information to create the keys in the key output data set.

### Example 5: ADD Control Statement with a Range of NULL Keys

This example shows a control statement that creates a range of empty key records in a CKDS. Once the key labels exist, you can enter key types and key values for these records in several ways. One method is to use KGUP to create UPDATE control statements. Another method is to write application programs that use the Key\_Record\_Write callable service to add key types and key values to the existing empty key records.

```
ADD TYPE(NULL) RANGE(BRANCH5M0001,BRANCH5M0025)
```

KGUP checks for any entries with labels between BRANCH5M0001 and BRANCH5M0025 in the CKDS. If any entries in this range already exist, KGUP processes the control statement up to the point where a duplicate label is found. It then stops processing the control statement and issues error messages.

If no entries exist, KGUP creates a range of 25 sequentially-numbered key records and adds them to the CKDS.

### Example 6: ADD Control Statement with OUTTYPE and TRANSKEY Keywords

This example shows a control statement that specifies that KGUP add an entry with the key type of DATAM to the CKDS. The TRANSKEY keyword instructs KGUP to create a control statement for an intermediate node to use to create the complement DATAMV key for intermediate node data translation.

```
ADD LABEL(DATAKEY.TO.TRANSLATION) TYPE(DATAM) OUTTYPE(DATAMV),  
TRANSKEY(TKBRANCH2.INTER)
```

KGUP checks that an entry with the label DATAKEY . TO . TRANSLATION does not already exist in the CKDS, because DATAM keys require unique labels. If the entry already exists, KGUP stops processing the control statement.

If the entry does not exist, KGUP creates the entry with a label of DATAKEY . TO . TRANSLATION and a type of DATAM. KGUP then generates a single-length key, encrypts the key under the master key variant for a DATAM key, and places the key in the CKDS entry.

KGUP stores information to the key output data set. You can send the information to another system that does not use KGUP. The other system uses the information to create the complement of the key you created. The information contains the key value of the key in exportable form. The key is encrypted under the exporter key, labeled TKBRANCH2 . INTER, that was specified by the TRANSKEY keyword. The information specifies the key type as data-translation key (DATAMV).

KGUP stores a control statement to the control statement output data set. You can send the control statement to another system. The other system's KGUP uses the statement to create a key that complements the key you created.

For example, the control statement would be in this format:

```
ADD TYPE(DATAMV) LABEL(DATAKEY.TO.TRANSLATION),  
TRANSKEY(TKBRANCH2.INTER) KEY(2509F2869257BD00,1616161616161616)
```

The key value is the encrypted value of the key that KGUP created. The key is encrypted under the exporter key, labelled TKBRANCH2 . INTER, which was the transport key label that was specified on the original control statement. The type of key is the complement of the type of key it created.

### Example 7: UPDATE Control Statement with Key Value and Transkey Keywords

This example shows a control statement that specifies that KGUP import a key value. KGUP places the key value into an entry in the CKDS that already exists.



```
UPDATE LABEL(PINVBRANCH5M0002) TYPE(PINVER) TRANSKEY(TKBRANCH5JUNE99),
KEY(7165865940460A48,2237451B4545718B)
```

The key value on the control statement is encrypted under a transport key that is shared with another system. The label for the transport key is TKBRANCH5JUNE99. KGUP uses the importer key labelled TKBRANCH5JUNE99 to decrypt the key value.

KGUP encrypts the key value under the master key variant for a PIN verification key. KGUP then places the key in a key entry labelled PINVBRANCH5M0002 with the type PINVER in the CKDS.

### Example 8: DELETE Control Statement

This example shows a control statement that specifies that KGUP delete an entry from the CKDS.

```
DELETE LABEL(GENBRANCH2M0003) TYPE(PINGEN)
```

KGUP deletes the entry with a label of GENBRANCH2M0003 and type of PIN generation key from the CKDS. If KGUP cannot find the entry, KGUP gives you an error message.

### Example 9: RENAME Control Statement

This example shows a control statement that specifies that KGUP rename an entry in the CKDS.

```
RENAME LABEL(JWL@SSIDEC97,JWL@SSIJUNE99) TYPE(EXPORTER)
```

KGUP checks if an entry with a label of JWL@SSIJUNE99 and a key type of EXPORTER already exists in the CKDS. If the entry does exist, KGUP does not process the control statement. KGUP checks if an entry with the label JWL@SSIDEC97 contains a key type of EXPORTER exists. If the entry exists, KGUP renames the entry JWL@SSIJUNE99.

### Example 10: SET Control Statement

This example shows a control statement that specifies that KGUP send certain installation data every time an exit is called during KGUP processing. KGUP sends the data every time an exit is called until KGUP encounters another SET statement or the job stream completes.

```
SET INSTDATA('This key is valid effective 9/9/99')
```

KGUP sends the installation data each time an installation exit is called during KGUP processing.

### Example 11: OPKYLOAD Control Statement

This example shows a control statement to load a key into the CKDS from any CCA cryptographic coprocessor. The serial number of the card is 94000011. A key has been loaded on the card with the label ERC033.DEC50.

```
OPKYLOAD LABEL(ERC033.DEC50) SERNBR(94000011)
```

KGUP checks the CKDS for the label and will fail if the label exists. KGUP then queries the coprocessor to see if the key exists on the card. If the key exists, the key token is retrieved from the card and loaded into the CKDS.

To specify that the enhanced wrapping method should be used for DES keys, add the WRAPENH keyword to the control statement.

```
OPKYLOAD LABEL(ERC033.DEC50) SERNBR(94000011) WRAPENH
```

## Example 12: OPKYLOAD Control Statement for NOCV Key-encrypting Keys

This example shows a control statement to load a key into the CKDS from a CEX2C or CEX3C, where the key is a key-encrypting key to be used as a NOCV KEK. The serial number of the card is 94000064. A key has been loaded on the card with the label ERC033.NOCV.IMPORTER.

```
OPKYLOAD LABEL(ERC033.NOCV.IMPORTER) SERNBR(94000064) NOCV
```

KGUP checks the CKDS for the label and will fail if the label exists. KGUP then queries the coprocessor to see if the key exists on the card. If the key exists, the key token is retrieved from the card. If the key is a key-encrypting key with the default control vector, the NOCV token flag is set. The token is then loaded into the CKDS.

## Example 13 – ADD and UPDATE Control Statements with CLRDES and CLRAES Key Type

This example shows a control statement that adds a CLRDES key to the CKDS with a random 16 byte key. The ALGORITHM keyword is not allowed.

```
ADD TYPE(CLRDES) LENGTH(16) LAB(CLRDES.KEYLN8)
```

This example shows a control statement for updates a CLRAES key in the CKDS with a random 24 byte key. The ALGORITHM keyword is not allowed.

```
UPDATE TYPE(CLRAES) LENGTH(24) LAB(CLRAES.NOV11)
```

## Example 14 – ADD and UPDATE Control Statement for a Group of CLRDES or CLRAES Keys with a Key Value

This example shows a control statement that adds a group of CLRDES. The clear key value is specified. The CLEAR and ALGORITHM keywords are not allowed.

```
ADD TYPE(CLRDES) KEY(2C2C2C2C2C2C2C2C,1616161616161616),  
LAB(X.CLRDES.KEYLN16,Y.CLRDES.KEYLN16,Z.CLRDES.KEYLN16)
```

This example shows a control statement that updates a group of CLRAES. The clear key value is specified. The CLEAR and ALGORITHM keywords are not allowed.

```
UPDATE TYPE(CLRAES) KEY(2C2C2C2C2C2C2C2C,1616161616161616),  
LAB(X.CLRAES.NOV11,Y.CLRAES.NOV11,Z.CLRAES.NOV11)
```

## Example 15 – ADD and UPDATE Control Statements with ALGORITHM Keyword

This example shows a control statement that adds an AES DATA key to the CKDS with a random 128-bit key value.

```
ADD TYPE(DATA) ALGORITHM(AES) LENGTH(16) LAB(AES.BIT128)
```

This example shows a control statement that adds a group of AES DATA keys to the CKDS. A different key value will be generated for each label.

```
ADD TYPE(DATA) LENGTH(16) LAB(A.AES.L128,B.AES.L128,C.AES.L128) ALGORITHM(AES)
```

This example shows a control statement that adds a group of DES DATA keys to the CKDS. A different key value will be generated for each label.

```
ADD TYPE(DATA) LENGTH(16) LAB(A.DES.L16,B.DES.L16,C.DES.L16) ALGORITHM(DES)
```

This example shows a control statement that adds a group of DES DATA keys to the CKDS. A different key value will be generated for each label.

```
ADD TYPE(DATA) ALGORITHM(DES) LENGTH(24) RAN(DES.LN24.KEY1,DES.LN24.KEY3)
```

This example shows a control statement that changes an AES DATA key.

```
UPDATE TYPE(DATA) KEY(4343434343434343,5656565656565656),  
LAB(AES.BIT128) ALGORITHM(AES) CLEAR
```

This example shows a control statement that changes a range of DES keys.

```
UPDATE TYPE(DATA) LENGTH(16) RAN(DES.KEY1,DES.KEY3) ALGORITHM(DES)
```

### **Example 16 – ADD control statement to add a range of CLRDES keys**

This example shows a control statement that adds a range of CLRDES keys. A different key value is generated for each key label.

```
ADD TYPE(CLRDES) LENGTH(24) RAN(CLRDES.KEYLN24.KEY1,CLRDES.KEYLN24.KEY3)
```

### **Example 17 – UPDATE control statement with CLRDES keyword**

This example shows a control statement that changes a CLRDES key.

```
UPDATE TYPE(CLRDES) KEY(4343434343434343) LAB(CLRDES.KEYLN8)
```

### **Example 18 – UPDATE control statement with CLRDES keyword**

This example shows a control statement that changes a range of CLRDES keys.

```
UPDATE TYPE(CLRDES) LENGTH(16) RAN(CLRDES.KEY1,CLRDES.KEY3)
```

### **Example 19 – DELETE control statement with CLRDES keyword**

This example shows a control statement that deletes a CLRDES key.

```
DELETE TYPE(CLRDES) LAB(CLRDES.KEYLN24)
```

### **Example 20 – DELETE control statement to delete a group of CLRDES key labels**

This example shows a control statement that deletes a group of CLRDES keys.

```
DELETE TYPE(CLRDES) LAB(A.KEYLN16,B.KEYLN16,C.KEYLN16)
```

### **Example 21 – RENAME Control Statement with CLRDES Keyword**

This example shows a control statement that renames a CLRDES key.

```
RENAME TYPE(CLRDES) LAB(CLRDES.KEYLN16,CLRDES.DOUBLE.LENGTH.KEY)
```

### **Example 22 – ADD Control Statement with CLRAES Keyword**

This example shows a control statement that adds a CLRAES key to the CKDS with a random 16 byte key.

```
ADD TYPE(CLRDES) LENGTH(16) LAB(AES.BIT128)
```

### Example 23 – ADD Control Statement to Add a Group of CLRAES Keys

This example shows a control statement that adds a group of CLRAES keys to the CKDS. Key value is generated.

```
ADD TYPE(CLRAES) LENGTH(16) LAB(A.AES.L128,B.AES.L128,C.AES.L128)
```

### Example 24 – ADD Control Statement to Add a Group of CLRAES Keys

This example shows a control statement that adds a group of CLRAES keys. The clear key value is specified.

```
ADD TYPE(CLRAES) KEY(2C2C2C2C2C2C2C2C,1616161616161616,A9A9A9A9A9A9A9A9),  
LAB(X.AES.BIT192,Y.AES.BIT192,Z.AES.BIT192)
```

### Example 25 – ADD Control Statement to Add a Range of CLRAES Keys

This example shows a control statement that adds a range of CLRAES keys. A different key value is generated for each key label.

```
ADD TYPE(CLRAES) LENGTH(32) RAN(AES.LN32.KEY1,AES.LN32.KEY3)
```

### Example 26 – UPDATE Control Statement with CLRAES Keyword

This example shows a control statement that changes a CLRAES key.

```
UPDATE TYPE(CLRAES) KEY(4343434343434343,1616161616161616) LAB(AES.BIT128)
```

### Example 27 – UPDATE Control Statement with CLRAES Keyword

This example shows a control statement that changes a range of CLRAES keys.

```
UPDATE TYPE(CLRAES) LENGTH(16) RAN(AES.KEY1,AES.KEY3)
```

### Example 28 – DELETE Control Statement with CLRAES Keyword

This example shows a control statement that deletes a CLRAES key.

```
DELETE TYPE(CLRAES) LAB(AES.LN24)
```

### Example 29 – DELETE Control Statement to Delete a Group of CLRAES Key Labels

This example shows a control statement that deletes a group of CLRAES keys.

```
DELETE TYPE(CLRAES) LAB(A.AES.LN16,B.AES.LN16,C.AES.LN16)
```

### Example 30 – RENAME Control Statement with CLRAES Keyword

This example shows a control statement that renames a CLRAES key.

```
RENAME TYPE(CLRAES) LAB(AES.ESC001,AES.EXC001)
```

## Example 31 – ADD Control Statement for ALGORITHM keyword

This example shows a control statement that adds an AES DATA key to the CKDS with a random 128-bit key value.

```
ADD TYPE(DATA) ALGORITHM(AES) LENGTH(16) LAB(AES.BIT128)
```

This example shows a control statement that adds a DES DATA key to the CKDS with a random 16-byte key value.

```
ADD TYPE(DATA) ALGORITHM(DES) LENGTH(16) LAB(DES.KEYLN16)
```

This example shows a control statement that adds a group of AES DATA keys to the CKDS. A different key value will be generated for each label.

```
ADD TYPE(DATA) LENGTH(16) LAB(A.AES.L128,B.AES.L128,C.AES.L128) ALGORITHM(AES)
```

This example shows a control statement that adds a group of DES DATA keys to the CKDS. A different key value will be generated for each label.

```
ADD TYPE(DATA) LENGTH(16) LAB(A.DES.L16,B.DES.L16,C.DES.L16) ALGORITHM(DES),  
CLEAR
```

This example shows a control statement that adds a group of AES DATA keys. The clear key value is specified.

```
ADD TYPE(DATA) ALGORITHM(AES) CLEAR,  
KEY(2C2C2C2C2C2C2C2C,1616161616161616,A9A9A9A9A9A9A9A9),  
LAB(X.AES.BIT192,Y.AES.BIT192,Z.AES.BIT192)
```

This example shows a control statement that adds a group of DES DATA keys to the CKDS. A different key value will be generated for each label.

```
ADD TYPE(DATA) ALGORITHM(DES) LENGTH(24) RAN(DES.LN24.KEY1,DES.LN24.KEY3)
```

## Example 32 – UPDATE Control Statement with the ALGORITHM keyword

This example shows a control statement that changes an AES DATA key.

```
UPDATE TYPE(DATA) KEY(4343434343434343,5656565656565656),  
LAB(AES.BIT128) ALGORITHM(AES) CLEAR
```

This example shows a control statement that changes a range of DES keys.

```
UPDATE TYPE(DATA) LENGTH(16) RAN(DES.KEY1,DES.KEY3) ALGORITHM(DES)
```

## Specifying KGUP data sets

During key generator utility program (KGUP) processing, you store the information you supply and receive in these data sets:

- The cryptographic key data set (CKDS) contains key entries that you have KGUP add, update, rename, or delete.
- The control statement input data set contains the control statements that specify the functions you want KGUP to perform.
- The diagnostics data set contains information you can use to check that the control statement succeeded.
- The key output data set contains information that another system uses to create keys that are complements of keys on your system.

- The control statement data set contains control statements that another system uses to create keys that are complements of keys on your system.

You specify the names of the data sets in the job control language to submit the job.

These topics describe the data sets that KGUP accesses or generates in detail.

### Cryptographic Key Data Set (CKDS)

This VSAM key sequenced data set contains the cryptographic keys for a particular KGUP job.

There are three formats of the CKDS:

- Fixed-length record. The logical record length (LRECL) is 252 bytes.
- Variable-length record. The logical record length (LRECL) is 1024 bytes.
- Common record format (KDSR). The logical record length (LRECL) is 2048 bytes.

The first record in the CKDS is a header record. The header record is the same for all types of CKDS.

**Note:** The format of the CKDS header and records are documented in Appendix A of [z/OS Cryptographic Services ICSF System Programmer's Guide](#).

In the KGUP job stream, it is defined by the CSFCKDS data definition statement.

### Control Statement Input Data Set

This data set contains the control statements that the particular KGUP job processes. For a description of the syntax of these control statements, see [“Using KGUP control statements” on page 172](#).

This data set is a physical sequential data set with a fixed logical record length (LRECL) of 80 bytes.

**Note:** If a control statement adds or updates a key, later control statements in the control statement input data set for that KGUP job use the new or updated key.

In the KGUP job stream, the control statement input data set is defined by the CSFIN data definition statement.

### Diagnostics Data Set

This data set contains a copy of each input control statement that is followed by one or more diagnostic messages that were generated for that control statement. It is a physical sequential data set with a fixed logical record length (LRECL) of 133 bytes. It should be fixed with ASA codes. [Figure 57 on page 212](#) shows an example of a diagnostics data set.

```
KEY GENERATION DIAGNOSTIC REPORT DATE:1997/9/14 (YYYY/MM/DD) TIME:12:10:15 PAGE 1
/* THIS IS A KEY USED TO EXPORT KEYS FROM A TO B */
ADD TYPE(EXPORTER) TRANSKEY(TK1),
  LABEL(ATOB)
> > > CSFG0321 STATEMENT SUCCESSFULLY PROCESSED.
/* THIS IS A KEY USED TO IMPORT KEYS FROM B TO A */
ADD TYPE(IMPORTER) TRANSKEY(TK1),
  LABEL(BTOA)
> > > CSFG0321 STATEMENT SUCCESSFULLY PROCESSED.
> > > CSFG0780 A REFRESH OF THE IN-STORAGE CKDS IS NECESSARY TO ACTIVATE CHANGES MADE BY
KGUP.
> > > CSFG0002 CRYPTOGRAPHIC KEY GENERATION - END OF JOB. RETURN CODE = 0.
```

*Figure 57. Diagnostics Data Set Example*

In the KGUP job stream, the data set is defined by the CSFDIAG data definition statement.

### Key Output Data Set

This data set contains information about each key KGUP generates, except an importer key used to protect a key that is stored with a file. Each entry contains the key value and the complement key type of the key created. Another system can use this information to create a key that is the complement of the key your system created.

This data set is a physical sequential data set with a fixed logical record length (LRECL). The minimum LRECL is 208 bytes. This will accommodate 64 byte DES key tokens. If you are exporting AES keys

that use the variable-length key token, the LRECL should be at least 500. The maximum supported LRECL is 1044.

To establish key exchange with a system that does not use KGUP control statements, you can send that system information from this data set. The receiving system can then use this information to create the complement of the key you created. You can print or process this data set when KGUP ends.

KGUP only lists a record for the key if the TRANSKEY or CLEAR keyword was in the control statement. If the TRANSKEY keyword was specified in the output key data set, KGUP lists, for the key type, the complement of the control statement key type. KGUP lists, for the key value, the key encrypted under the transport key as specified by the TRANSKEY keyword.

The encrypted key is in the form of an external key token. An external key token contains the encrypted key value and control information about the key. For example, the token contains the control vector for the key type or the associated data.

If the CLEAR keyword was specified, in the output key data set KGUP lists, for the key type, the complement of the control statement key type. KGUP lists, for the key value, the clear key value of the key. With this information another system could generate keys that are complements of the keys your system generated. This would permit your system and the other system to exchange keys.

When KGUP generates two complementary keys, each encrypted by a different transport key, KGUP lists a record for each key. The first record contains a key that is encrypted under the first transport key variant and the type that is specified on the control statement. The second record contains a key that is encrypted under the second transport key variant and a type that is the complement of the first key.

The records in the key output data set are in this format:

**Key label**

(Character length 64 bytes) The key label specified on the control statement.

**Key type**

(Character length 8 bytes) The key type specified on the control statement or the complement of that key type if the TRANSKEY keyword was specified.

**TRANSKEY label or CLEAR**

(Character length 64 bytes) Either the key label of a transport key which encrypts the key entry or the character string CLEAR (left justified) if the key is unencrypted.

**TRANSKEY type**

(Character length 8 bytes) The key type of the TRANSKEY, which is always exporter.

**Key Token**

(Character length variable bytes) A key token is composed of the key value and control information. The key value in this field is either unencrypted or encrypted under a transport key. For DES keys, the clear key value is stored where the key value is stored in a fixed length token. For AES keys, the clear key value is stored, left justified, in the key token field. For version '00'x and '01'x DES key tokens, the token is always 64 bytes long. For version '05'x AES key tokens, the token is variable length. The length field is a two byte field at offset 2 in the token. For a description of format of a key token, see [\*z/OS Cryptographic Services ICSF System Programmer's Guide\*](#).

In the KGUP job stream, the data set is defined by the CSFKEYS data definition statement.

**Control Statement Output Data Set**

KGUP produces an output control statement for every key that is generated as a result of an input control statement with the TRANSKEY keyword specified. The output control statement contains the complement key type of the key type that is specified on the input control statement. The value that is output for the KEY keyword is encrypted under the transport key that is specified on the input control statement.

You can edit the output control statements and distribute them to the appropriate sites for input to KGUP at those locations.

The data set is a physical sequential data set with a fixed logical record length (LRECL) of 80 bytes.

One output control statement appears when you have KGUP generate a key value and create an operational and exportable key pair using a transport key.

Two output control statements appear when you have KGUP generate two exportable keys by using two different transport keys. These statements generate complementary keys types. You can send each statement to a different site to establish communication between the two sites.

In the KGUP job stream, the data set is defined by the CSFSTMNT data definition statement. The data set will contain information only when the input control statement contains the TRANSKEY keyword. The TRANSKEY keyword indicates that you will be transporting the key to another system.

The specific name of these types of data sets must appear in the job stream that runs KGUP.

## Submitting a job stream for KGUP

The key generator utility program (KGUP) is an APF-authorized program that runs as a batch job. It requires certain JCL statements to run. Submit the JCL to run KGUP when you create the KGUP control statements and data sets.

The JCL to run KGUP should be in this format:

```
//KGUPPROC EXEC PGM=CSFKGUP, PARM=( 'SSM' )
//CSFCKDS DD DSN=PROD.CKDS, DISP=OLD
//CSFIN DD DSN=PROD.KGUPIN.GLOBAL, DISP=OLD
//CSFDIAG DD DSN=PROD.DIAG.GLOBAL, DISP=OLD
//CSFKEYS DD DSN=PROD.KEYS.GLOBAL, DISP=OLD
//CSFSTMNT DD DSN=PROD.STMT.GLOBAL, DISP=OLD
//
```

Figure 58. KGUP Job Stream

The EXEC statement specifies the load module name for KGUP. The PARM keyword on the EXEC statement passes information to KGUP. The keyword specifies either:

- NOSSM to indicate that special secure mode must be disabled
- SSM to indicate that special secure mode must be enabled

You must pass the SSM parameter if any KGUP control statements for the KGUP run contain the CLEAR keyword. NOSSM is the default.

If special secure mode is not enabled and you pass the SSM parameter to KGUP, the program ends immediately without processing any KGUP control statements. If you pass the NOSSM parameter and KGUP encounters a control statement with the CLEAR keyword, the job ends immediately.

In the JCL example, the PARM keyword specifies SSM to indicate that special secure mode should be enabled. You specify SSM if any control statement in the control statement input data set, PROD.KGUPIN.GLOBAL, contains the CLEAR keyword.

In the JCL, the data definition (DD) statements name the data sets necessary to input information to KGUP and output information from the program. See [“Specifying KGUP data sets”](#) on page 211 for a detailed description of these data sets.



**Attention:** If a KGUP job ends prematurely, results of the job are unpredictable. You should not read that cryptographic key data set into storage for use.

For a description of the KGUP return codes, see the explanation of message CSFG0002, which is in [z/OS Cryptographic Services ICSF Messages](#).

## Enabling Special Secure Mode

When you pass the SSM parameter to KGUP in a JCL statement, you need to enable special secure mode processing. To use special secure mode, the installation options data set must specify YES for the SSM



installation option or the CSF.SSM.ENABLE SAF profile must be defined in the XFACILIT SAF resource class.

## Reducing Control Area Splits and Control Interval Splits from a KGUP Run

KGUP processes keys on a disk copy of a CKDS which is a VSAM data set. KGUP uses key-direct update processing to process the keys. To access keys, VSAM uses the key's label as the VSAM key. This means that keys are added to the data set in collating sequence. That is, if two keys named A and B are in the data set, A appears earlier in the data set than B. As a result, adding keys to the data set can cause multiple VSAM control interval splits and control area splits. For example, a split might occur if the data set contains keys A, B, E and you add C (C must be placed between B and E). These splits can leave considerable free space in the data set.

The amount of control area splits and control interval splits in the CKDS affects performance. You may want to periodically use the TSO LISTCAT command to list information about the number of control area splits and control interval splits in a CKDS.

You can help reduce the frequency of control interval and control area splits by ensuring that key generator utility control statements are always in the correct collating sequence, A-Z, 0-9, if possible. When adding keys to a new CKDS, add the key entries in sequential order. Also, when adding new entries to the CKDS, you can reorganize the data set to reduce control area splits and control interval splits. To do this, copy the disk copy of the CKDS into another disk copy using the AMS REPRO command or AMS EXPORT/IMPORT commands. You may want to reorganize the data set after every KGUP run.

**Note:** If it is practical, you may want to perform this procedure to reduce control area splits. If you are inserting a large number of keys in the middle of a CKDS, you may want to remove and save all the keys after the place in the data set where you are inserting the keys. In this way, you are adding the keys to the end rather than the middle of the data set. When you finish adding the keys, place the keys that you removed back in the data set.

For a detailed explanation of keyed-direct update processing and a description of what happens when control area and control interval splits occur, refer to [z/OS DFSMS Access Method Services Commands](#).

## Refreshing the In-Storage CKDS

---

ICSF functions access an in-storage copy of the CKDS when the functions reference keys by label. However when you use KGUP, the program makes changes to a disk copy of the CKDS. This situation allows you to maintain the keys in the data set without disturbing current cryptographic operations.

When you update the disk copy, you can use the Refresh option on the Key Administration panel to replace the in-storage copy with the disk copy. For a description of this panel path, see [“Steps for refreshing the active CKDS using the ICSF panels”](#) on page 237. Besides using the panels to refresh the in-storage CKDS, you can invoke a utility program to perform the task. Refer to [“Refreshing the in-storage CKDS using a utility program”](#) on page 441 for details.

The preferred method for performing a CKDS refresh is to use the coordinated refresh function. See [“Performing a coordinated CKDS refresh”](#) on page 122 for additional information.

## Using KGUP Panels

---

The key generator utility program (KGUP) panels help you run KGUP by providing panels to do these tasks:

- Create KGUP control statements (except OPKYLOAD).
- Specify the data sets for KGUP processing.
- Invoke KGUP by submitting job control language (JCL) statements.
- Replace the in-storage copy of the cryptographic key data set (CKDS) with the disk copy that KGUP processing changed.

Using the panels, you can perform the tasks to use KGUP to generate or receive keys for PIN and key distribution and to maintain the CKDS.

To access the KGUP panels, select option 8, KGUP, on the “[ICSF Primary Menu panel](#)” on page 481. The Key Administration panel appears. See [Figure 59](#) on page 216.

```
CSFSAM00 ----- ICSF - Key Administration -----
OPTION ==>

Enter the number of the desired option.

1 Create          - Create key generator control statements
2 Dataset         - Specify datasets for processing
3 Submit          - Invoke Key Generator Utility Program (KGUP)
4 Refresh         - Activate an existing cryptographic key dataset

Press ENTER to go to the selected option
Press END  to exit to the previous panel
```

*Figure 59. Key Administration Panel*

This panel allows you to access panels to perform the tasks to run KGUP. These topics describe the KGUP tasks.

## Steps for creating KGUP control statements using the ICSF panels

You create the control statements to specify the functions you want KGUP to perform. When you create the control statements, ICSF stores the statements in the control statement input data set.

When you create the control statements, do one of these procedures:

- Process the control statements by running KGUP.
- Do not process the control statements and just save the statements in the data set. Then at another time you can access the data set to add more control statements and submit the data set for KGUP processing.

To create the KGUP control statements:

1. Select option 1, Create, on the Key Administration panel, as shown in [Figure 60](#) on page 216, and press ENTER.

```
CSFSAM00 ----- ICSF - Key Administration -----
OPTION ==> 1

Enter the number of the desired option.

1 Create          - Create key generator control statements
2 Dataset         - Specify datasets for processing
3 Submit          - Invoke Key Generator Utility Program (KGUP)
4 Refresh         - Activate an existing cryptographic key dataset
```

*Figure 60. Selecting the Create Option on the Key Administration Panel*

The KGUP Control Statement Data Set Specification panel appears. See [Figure 61](#) on page 217.

```

CSFSAE10 - ICSF - KGUP Control Statement Data Set Specification ----
COMMAND ==>

Enter control statement input data set (DDNAME = CSFIN)

Data Set Name ==> _____
Volume Serial ==> _____ (if uncataloged)

Press ENTER to open or create and open specified data set
Press END to exit to the previous panel

```

Figure 61. KGUP Control Statement Data Set Specification Panel

2. Enter the name of the data set that you want to contain the control statements for KGUP processing.
  - a. For partitioned data sets, specify a member name as part of the data set name.
  - b. If the data set is not cataloged, you must also specify the volume serial for the data set in the Volume Serial field. This volume serial allows ICSF to access the correct volume when ICSF opens the data set.

**Note:** If you specify NOPREFIX in your TSO profile, so data sets are not automatically prefixed with your userid, you must specify the fully qualified data set name within apostrophes. If you specify PREFIX without a valid prefix, your TSO userid becomes the prefix.

Depending on your requirements, there are several options to choose from when entering the data set name. Refer to [Table 52 on page 217](#) for a list of these options and the steps to follow for each.

Table 52. Data Set Name Options	
Option	Steps
<b>To have KGUP append the control statements to an existing data set when you know the data set name and the member name</b>	<ol style="list-style-type: none"> <li>a. Specify the data set name and member name of the existing data set and press ENTER.</li> </ol> <p>The KGUP Control Statement Menu appears. See <a href="#">Figure 65 on page 220</a>. The new control statements will be appended when any existing control statements in the data set.</p>

Table 52. Data Set Name Options (continued)	
Option	Steps
<b>To have KGUP append the control statements to an existing data set when you know the data set name but not the member name</b>	<p>a. Specify the data set name of the existing data set and press ENTER.</p> <p>If the partitioned data set is not empty, the Member Selection List appears. See <a href="#">Figure 63 on page 219</a>.</p> <p>b. On the Member Selection List panel:</p> <ul style="list-style-type: none"> <li>To select a member that already exists, place an s to the left of the member name in the list and press ENTER.</li> </ul> <p>For example, in <a href="#">Figure 63 on page 219</a> SHIFT2 is selected so the data set LARSON.CSFIN.TESTDS1P(SHIFT2) becomes the input control statement data set.</p> <ul style="list-style-type: none"> <li>To locate a member on the selection list, type an l (the lowercase letter L) and the member name on the command line and press ENTER.</li> </ul> <p>The list moves so the member appears on the top line of the list and the cursor appears to the left of the member.</p> <ul style="list-style-type: none"> <li>To create a new member, type s and the new member name on the command line and press ENTER.</li> </ul> <p>The KGUP Control Statement Menu appears. See <a href="#">Figure 65 on page 220</a>. The new control statements will be appended when any existing control statements in the data set.</p>
<b>To have KGUP create a new data set</b>	<p>a. Specify a name for the new data set and press ENTER.</p> <p>The Allocation panel appears. See <a href="#">Figure 64 on page 219</a>.</p> <p>b. Enter the necessary information to allocate a new data set and press ENTER.</p> <p>The KGUP Control Statement Menu appears. See <a href="#">Figure 65 on page 220</a>. The new control statements will be stored in the new data set.</p>

[Figure 62 on page 218](#) shows an example of the KGUP Control Statement Data Set Specification panel with the partitioned data set CSFIN.TESTDS1P and a member name of TEST1.

```

CSFSAE10 - ICSF - KGUP Control Statement Data Set Specification ----
COMMAND ==>

Enter control statement input data set (DDNAME = CSFIN)

  Data Set Name ==> CSFIN.TESTDS1P(test1)_____
  Volume Serial ==> _____ (if uncataloged)

Press ENTER to open or create and open specified data set
Press END  to exit to the previous panel

```

*Figure 62. Entering a Data Set Name on the KGUP Control Statement Data Set Specification Panel*

If the member TEST1 did not previously exist, ICSF creates the member. If the member already exists, ICSF appends the control statements to the end of the data set. <Prefix>.CSFIN.TESTDS1P(test1) becomes the control statement input data set.

If you specify CSFIN.TESTDS1P without the member name, the Member Selection List panel appears. See [Figure 63 on page 219](#).

```

CSFSAE12 ----- ICSF - Member Selection List ----- ROW 1 To 6 OF 6
COMMAND ==>                                     SCROLL ==> PAGE

Data Set: LARSON.CSFIN.TESTDS1P
Select one member name only
  NAME          CREATED      CHANGED      SIZE  INIT  MOD  USERID
  PINEX1        95/08/04 96/08/05 10:44   26   24   1   LARSON
  PINEX2        95/08/04 96/07/04 11:23   14   14   0   LARSON
  KEYEX1        95/08/04 96/08/05 12:44    6    6    1   LARSON
s  SHIFT2       95/08/04 96/08/12 10:55  195  137   2   LARSON
  SHIFT3       95/08/04 96/08/05 12:44   48    4    1   LARSON
  TEST1        95/08/04 96/08/05 11:44    4    4    1   LARSON
***** BOTTOM OF DATA *****

```

Figure 63. Member Selection List Panel

If you specify a new data set name, the Allocation panel appears. See [Figure 64 on page 219](#).

```

CSFSAE11 ----- ICSF - Allocation -----
COMMAND ==> _

DATA SET NAME: LARSON.CSFIN.TESTDS1P
Data set cannot be found. Specify allocation parameters below.

VOLUME SERIAL    ==> _____ (Blank for authorized default volume) *
GENERIC UNIT     ==> _____ (Generic group name or unit address) *
SPACE UNITS      ==> BLOCK_____ (BLKS, TRKS, or CYLS)
PRIMARY QUANTITY ==> 10_____ (In above units)
SECONDARY QUANTITY ==> 5_____ (In above units)
DIRECTORY BLOCKS ==> 10_____ (Zero for sequential data set)
RECORD FORMAT    ==> FB
RECORD LENGTH    ==> 80
BLOCK SIZE       ==> 6400__ (In multiples of record length)
EXPIRATION DATE  ==> _____ (Format is YYDDD)

( * Only one of these fields may be specified)

Press ENTER to allocate specified data set and continue
Press END to exit to the previous panel without allocating

```

Figure 64. Entering Data Set Information on the Allocation Panel

Once the data set has been selected or created, the data set becomes the control statement input data set on the KGUP Control Statement Menu, as shown in [Figure 65 on page 220](#). The name of the control statement input data set you specified appears at the top of the panel.

From this panel, you can press END to go back to the KGUP Control Statement Data Set Specification panel. On the later panel you can either specify another data set to store control statements, or press END again to return to the Key Administration panel.

```

CSFCSM00 ----- ICSF - KGUP Control Statement Menu -----
OPTION ==> _

Storage data set for control statements   (DDNAME = CSFIN)

Data Set Name: LARSON.CSFIN.TESTDS1P(TEST2)

Enter the number of the desired option above.

1 Maintain      - Create ADD, UPDATE, or DELETE control statements
2 Rename       - Create statement to RENAME entry label
3 Set          - Create a statement to SET installation data
4 Edit         - Edit the statement storage data set

Press ENTER to go to the selected option
Press END   to exit to the previous panel

```

*Figure 65. KGUP Control Statement Menu Panel*

3. Choose the type of control statement you want to create and press ENTER.

- To create an ADD, UPDATE, or DELETE control statement, select option 1. For information, see [“Steps for creating ADD, UPDATE, or DELETE control statements”](#) on page 220.
- To create a RENAME control statement, select option 2. For information, see [“Steps for creating a RENAME control statement”](#) on page 226.
- To create a SET control statement, select option 3. For information, see [“Steps for creating a SET control statement”](#) on page 228.
- To edit the input control statement data set, select option 4. For information, see [“Steps for editing control statements”](#) on page 230.

When you choose the Maintain, Rename, or Set option, you access the panels to create the control statement you want. When you create a control statement, the statement is placed in the specified control statement input data set. To edit the control statements that are stored in this data set, choose the Edit option.

## **Steps for creating ADD, UPDATE, or DELETE control statements**

When you select Maintain (option 1) on the KGUP Control Statement Menu panel, the Create ADD, UPDATE, or DELETE Key Statement panel appears. See [Figure 66](#) on page 221.

```

CSFCSE10----- ICSF - Create ADD, UPDATE, or DELETE Key Statement -----
Specify control statement information below

Function ==> _____ ADD, UPDATE, or DELETE
Algorithm ==> DES    DES or AES
Key Type ==> _____ Outtype ==> _____ (Optional)
Label ==> _____
Group Labels ==> NO_  NO or YES
or Range:
Start ==> _____
End ==> _____

Transport Key Label(s)
==> _____
==> _____
or Clear Key ==> NO_  NO or YES

Control Vector ==> YES NO or YES
Length of Key ==> ___ 8, 16 or 24 For AES: 16, 24, or 32
Key Values ==> _____
Comment Line ==> ' _____ '

Press ENTER to create and store control statement
Press END to exit to the previous panel without saving

```

Figure 66. Create ADD, UPDATE, or DELETE Key Statement Panel

1. On the panel, fill out the fields to create the ADD, UPDATE, or DELETE control statement that you want KGUP to process. Each field on the panel corresponds to a control statement keyword. The panel helps you to create a complete, syntactically correct ADD, UPDATE, or DELETE control statement.

The panel creates control statements according to the syntax described in [“Syntax of the ADD and UPDATE control statements”](#) on page 174. See that topic for more information about the control statement keywords.

2. In the Function field, select the function you want KGUP to perform.

**Function**  
**Result**

**ADD**

Enter new key entries in the CKDS. Generate and receive key values for key distribution.

**UPDATE**

Change existing entries in the CKDS. Generate and receive key values for key distribution.

**DELETE**

Remove entries from the CKDS.

You can just type the first letter of the function in the first position in a field on the panel. For example, in [Figure 67 on page 222](#), a was entered in the Function field to specify the ADD function. ICSF recognizes the abbreviation.

For a description of the keywords you must specify for each function, see [“Using the ADD and UPDATE control statements for key management and distribution functions”](#) on page 195.

```

----- ICSF - Create ADD, UPDATE, or DELETE Key Statement -----
Specify control statement information below

Function ==> add___      ADD, UPDATE, or DELETE
Algorithm ==> DES   DES or AES
Key Type ==> _____ Outtype ==> _____ (Optional)
Label ==> _____
Group Labels ==> NO_   NO or YES
-----
or Range:
Start ==> _____
End   ==> _____
-----
Transport Key Label(s)
==> _____
==> _____
-----
or Clear Key ==> NO_   NO or YES

Control Vector ==> YES NO or YES
Length of Key ==> _____ For AES: 16, 24, or 32
Key Values ==> _____
-----
Comment Line ==> '-----' / '-----' / '-----'
-----

Press ENTER to create and store control statement
Press END to exit to the previous panel without saving

```

Figure 67. Selecting the ADD Function on the Create ADD, UPDATE, or DELETE Key Statement Panel

3. In the Key Type field, enter the type of key you want KGUP to process with the control statement. This field represents the TYPE keyword on the control statement.

If you leave the Key Type Field blank and press ENTER, the Key Type Selection panel appears. See [Figure 68 on page 222](#).

```

CSFCSE12----- ICSF - Key Type Selection Panel ---- ROW 1 TO 13 OF 11
COMMAND ==>                                     SCROLL ==> PAGE

Select one key type only
KEY TYPE      DESCRIPTION

CIPHER        Data encryption/decryption key
CIPHERXI      Input cipher text transaction key
CIPHERXL      Cipher text transaction key
CIPHERXO      Output cipher text transaction key
CLRAES        Clear AES encryption/decryption key
CLRDES        Clear DES encryption/decryption key
DATA          Encryption/Decryption key
DATAM         Double-length MAC generation key
DATAMV        Double-length MAC verification key
DECIPHER      Data decryption key
DKYGENKY      Diversified key-generating key
ENCIPHER      Data encryption key
EXPORTER      Export key encrypting key
IMPORTER      Import key encrypting key
IMPPKA        Limited authority key encrypting key
IPINENC       Input PIN encrypting key
MAC           MAC generate key
MACVER        MAC verify key
NULL          Dummy CKDS records
OPINENC       Output PIN-encrypting key
PINGEN        PIN generation key
PINVER        PIN verification key
*****BOTTOM OF DATA*****

```

Figure 68. Selecting a Key on the Key Type Selection Panel

- a. Type s to the left of the key type you want to specify from the displayed list of key types.



In Figure 68 on page 222, the exporter key is selected.

- b. When you have specified a key type, press ENTER to return to the Create ADD, UPDATE, or DELETE Key Statement panel, as shown in Figure 69 on page 223.

```

----- ICSF - Create ADD, UPDATE, or DELETE Key Statement -----
Specify control statement information below

Function ==> ADD___      ADD, UPDATE, or DELETE
Algorithm ==> DES   DES or AES
Key Type ==> EXPORTER      Outtype ==> _____ (Optional)
Label ==> ATMBRANCH5M0001
Group Labels ==> NO_      NO or YES
or Range:
Start ==> _____
End   ==> _____

Transport Key Label(s)
==> tkatmbranch5m0001_____
==> _____
or Clear Key ==> NO_      NO or YES

Control Vector ==> YES   NO or YES
Length of Key ==> 16_   8, 16 or 24      For AES: _____
Key Values ==> _____

Comment Line ==> 'export test key '_____

Press ENTER to create and store control statement
Press END   to exit to the previous panel without saving

```

Figure 69. Completing the Create ADD, UPDATE, or DELETE Key Statement Panel

If you abbreviated the control statement function, the function now appears in its full form. The type of key you selected on the Key Type Selection panel appears in the Key Type field.

4. Specify either a label or range to identify the label of the key entry in the CKDS that you want KGUP to process.

The Label field represents the LABEL keyword on the control statement. The Range field represents the RANGE keyword on the control statement. In the Range fields, specify the first and last label in a range of labels you want KGUP to process.

Table 53. Selecting range and label options	
Option	Steps
<b>To have KGUP process only one key label</b>	<ol style="list-style-type: none"> <li>a. Specify the key label in the Label field.</li> <li>b. Type NO in the Group Labels field.</li> </ol>
<b>To have KGUP process more than one key label</b>	<ol style="list-style-type: none"> <li>a. Specify the first label in the Label field.</li> <li>b. Type YES in the Group Labels field.</li> </ol>

5. Specify either a transport key label or YES in the Clear Key field.

The Transport Key Label field represents the TRANSKEY keyword on the control statement. The Clear Key field represents the CLEAR keyword. These keywords are mutually exclusive.

When KGUP generates a key, the program places the key value in a data set so you can send the value to another system. The other system uses the value to create the complement of the key. You send the key value as either a clear key value or a key value encrypted under a transport key.

When KGUP imports a key value, the program may import a clear or encrypted key value. KGUP decrypts the encrypted key value from under the transport key that you specify in the Transport Key Label field.

<i>Table 54. Selecting the Transport Key Label and Clear Key Label Options</i>	
<b>Option</b>	<b>Steps</b>
<b>To have KGUP generate a key other than an importer key and encrypt the key value</b>	a. Specify the label of the transport key you want KGUP to use to encrypt the key in the Transport Key Label field. b. Type NO in the Clear Key field.
<b>To have KGUP generate a key other than an importer key and leave the key value in the clear</b>	a. Leave the Transport Key Label field blank b. Type YES in the Clear Key field.
<b>To have KGUP import an encrypted key</b>	a. Specify the label of the transport key you want KGUP to use to decrypt the key in the Transport Key Label field. b. Type NO in the Clear Key field.
<b>To have KGUP import a clear key</b>	a. Leave the Transport Key Label field blank b. Type YES in the Clear Key field.

6. Specify either YES or NO in the Control Vector field.

Usually the cryptographic facility exclusive ORs a transport key with a control vector prior to the transport key encrypting a key. However, if your system is exchanging keys with a system like PCF that does not use control vectors, you need to specify that no control vector be used. If you want KGUP to generate a transport key that uses a control vector, type YES in the Control Vectors field. Otherwise type NO. If you type NO in this field, the control statement contains the NOCV keyword.

7. If you want KGUP to work with a single-length key in its processing, type YES in the Length of Key field. Otherwise, type NO. If you type YES in the field, the control statement contains the LENGTH keyword.
8. If you are entering a key value, enter the key value in the Key Values field.

You enter the value as three values if the key is a triple-length key, two values if the key is a double-length key, or as one value if the key is a single-length key. The Key Values field represents the KEY keyword on the control statement.

9. In the Comment Line field, you can enter up to 45 characters of information about the control statement. The information appears as a comment that precedes the control statement in the input control statement data set.
10. When you enter all the information on this panel, press ENTER.

If you entered YES in the Group Labels field, the Group Label panel appears. See [Figure 70](#) on page 225.

```

CSFCSE11 ----- ICSF - Group Label Panel -----
COMMAND ==>

First label:
  ATMBRANCH5M0001_-----

Enter at least one other label:

  ATMBRANCH5M0020_-----
  ATMBRANCH5M0030_-----
  ATMBRANCH5M0050_-----
  -----
  -----
  -----
  -----
  -----
  -----

Press ENTER to add more labels or create and store control statement
Press END  to exit to the previous panel without saving

```

Figure 70. Specifying Multiple Key Labels on the Group Label Panel

- a. Enter any additional key labels you want KGUP to process with the control statement.

The first label you entered in the Label field of the Create ADD, UPDATE, or DELETE Key Statement panel appears at the top of this panel. If you enter duplicate labels, an error message appears on the right side of the panel and the cursor appears on the duplicate label. If the syntax of the label is incorrect, an error message appears and the cursor appears on the incorrect label.

- b. If you have more labels than will fit on this panel, press the ENTER key when you have filled each line on the panel. An additional Group Label Panel appears. Type the remaining labels and press ENTER.

ICSF writes the control statement to the input control statement data set. You return to the Create ADD, UPDATE, or DELETE Key Statement panel.

If you entered NO in the Group Labels field, you do not access the Group Label panel. You remain on the Create ADD, UPDATE, or DELETE Key Statement panel.

- 11. Press ENTER to have ICSF write the control statement in the input control statement data set.

If a specification in any field is incorrect, when ICSF processes the control statement it displays an appropriate message on the top line of the panel. The cursor then appears in the field with the error. To display the long version of the error message at the bottom of the panel, press the HELP key (F1). If you correct the error and press ENTER again, ICSF writes the control statement to the control statement input data set.

If a control statement was created, the message SUCCESSFUL UPDATE appears on the right side of the top line of the panel, as shown in [Figure 71 on page 226](#).

```

----- ICSF - Create ADD, UPDATE, or DELETE Key Statement -----
Specify control statement information below

Function ==> ADD__  ADD, UPDATE, or DELETE
Algorithm ==> DES__ DES or AES
Key Type ==> EXPORTER  Outtype ==> _____ (Optional)
Label ==> ATMBRANCH5M0001_____
Group Labels ==> NO_  NO or YES
-----
or Range:
Start ==> _____
End ==> _____
-----
Transport Key Label(s)
==> TKATMBRANCH5M0001_____
==> _____
-----
or Clear Key ==> NO_  NO or YES
-----
Control Vector ==> YES  NO or YES
Length of Key ==> 16 8, 16 or 24  For AES: _____
Key Values ==> _____
-----
Comment Line ==> 'EXPORT TEST KEY'_____
-----

Press ENTER to create and store control statement
Press END to exit to the previous panel without saving

```

Figure 71. Create ADD, UPDATE, or DELETE Key Statement Panel Showing Successful Update

12. If you want to create another ADD, UPDATE, or DELETE control statement, enter new information in the fields to create the control statement.
13. When you specify the information, press ENTER to place the control statement in the control statement input data set.
14. If you do not want to create another ADD, UPDATE, or DELETE control statement, press END to return to the KGUP Control Statement Menu panel.

## Steps for creating a RENAME control statement

The Create RENAME Control Statement panel appears. The RENAME control statement changes the label of a key entry in a CKDS. To create a RENAME control statement:

1. Choose option 2 on the KGUP Control Statement Menu, as shown in [Figure 72 on page 226](#).

```

CSFCSM00 ----- ICSF - KGUP Control Statement Menu -----
OPTION ==> 2

Storage data set for control statements (DDNAME = CSFIN)

Data Set Name: LARSON.CSFIN.TESTDS1P(TEST2)

Enter the number of the desired option above.

1 Maintain - Create ADD, UPDATE, or DELETE control statements
2 Rename - Create statement to RENAME entry label
3 Set - Create a statement to SET installation data
4 Edit - Edit the statement storage data set

```

Figure 72. Selecting the Rename Option on the KGUP Control Statement Menu Panel

2. See [Figure 73 on page 227](#). If you leave this field blank, the On this panel, you enter information in the fields to create a RENAME control statement. This panel creates a RENAME control statement according to the syntax described in [“Syntax of the RENAME Control Statement” on page 201](#). See that topic for more information about the RENAME control statement keywords.

```

CSFCSE20 ----- ICSF - Create RENAME Control Statement -----
COMMAND ==>

Enter the following information:

Existing Key Label
-----

New Key Label
-----

Key Type          ==> _____ Selection panel displayed if blank

Comment Line      ==> _____

Press ENTER to create and store control statement
Press END  to exit to the previous panel

```

Figure 73. Create RENAME Control Statement Panel

3. In the Existing Key Label field, specify the current label on the CKDS that you want KGUP to change.
4. In the New Key Label field, specify the new label that you want to replace the existing label.
5. In the Key Type field, specify the key type of the key entry whose label you want changed. Key Type Selection panel appears. See [Figure 74](#) on page 227.

```

CSFCSE12----- ICSF - Key Type Selection Panel ----- ROW 1 To 13 OF 11
COMMAND ==>                                     SCROLL ==> PAGE

Select one key type only
KEY TYPE      DESCRIPTION

CIPHER        Data encryption/decryption key
CIPHERXI      Input cipher text transaction key
CIPHERXL      Cipher text transaction key
CIPHERXO      Output cipher text transaction key
CLRAES        Clear AES encryption/decryption key
CLRDES        Clear DES encryption/decryption key
DATA          Encryption/Decryption key
DATAM         Double-length MAC generation key
DATAMV        Double-length MAC verification key
DECIPHER      Data decryption key
DKYGENKY      Diversified key-generating key
ENCIPHER      Data encryption key
EXPORTER      Export key encrypting key
IMPORTER      Import key encrypting key
IMPPKA        Limited authority key encrypting key
IPINENC       Input PIN encrypting key
KEYGENKY      Key-generating key
MAC           MAC generate key
MACVER        MAC verify key
NULL          Used to create CKDS entry
OPINENC       Output PIN encrypting key
PINGEN        PIN generation key
PINVER        PIN verification key
PINVER        PIN verification key
*****BOTTOM OF DATA*****

```

Figure 74. Selecting a Key Type on the Key Type Selection Panel

- a. Type s to the left of the key type you want to specify.

In [Figure 74](#) on page 227, the exporter key is selected.

- b. Press ENTER to return to the Create RENAME Control Statement panel.

The RENAME control statement The key type you choose on the Key Type Selection panel appears in the key type field.

An example of a Create RENAME Control Statement panel which creates a control statement to change the key label JWL@SSIDEC95 to JWL@SSIJUNE96 for an exporter key is shown in [Figure 75](#) on page 228.

```
CSFCSE20 ----- ICSF - Create RENAME Control Statement -----
COMMAND ==>

Enter the following information:

Existing Key Label
  JWL@SSIDEC95_____

New Key Label
  JWL@SSIJUNE96_____

Key Type          ==> ex_____      Selection panel displayed if blank

Comment Line      ==> export test key renamed_____

Press ENTER to create and store control statement
Press END  to exit to the previous panel
```

*Figure 75. Completing the Create RENAME Control Statement Panel*

6. In the Comment Line field, you can enter up to 45 characters of information about the control statement.

The information appears as a comment that precedes the control statement in the input control statement data set.

7. When you enter all the information on the Create RENAME Control Statement panel, press ENTER.

ICSF writes the control statement in the input control statement data set.

If a specification in any field is incorrect, when ICSF processes the control statement it displays an appropriate message on the top line of the panel. The cursor then appears in the field with the error. To display the long version of the error message at the bottom of the panel, press the HELP key (F1). You can correct the error and press ENTER again so ICSF can write the control statement to the control statement input data set.

The Create SET Control Statement panel appears. If a control statement was created, the message SUCCESSFUL UPDATE appears on the right side of the top line of the panel.

8. To create another RENAME control statement, enter new information in the fields to create the control statement.
9. When you specify the information, press ENTER to place the control statement in the control statement input data set.
10. When you have finished creating RENAME control statements, press END to return to the KGUP Control Statement Menu panel.

## Steps for creating a SET control statement

The SET control statement specifies data for KGUP to send to a KGUP exit routine. To create a SET control statement:

1. Choose option 3 on the KGUP Control Statement Menu, as shown in [Figure 76](#) on page 229.

```

CSFCSM00 ----- ICSF - KGUP Control Statement Menu -----
OPTION ==> 3

Storage data set for control statements (DDNAME = CSFIN)

Data Set Name: LARSON.CSFIN.TESTDS1P(TEST2)

Enter the number of the desired option above.

1 Maintain      - Create ADD, UPDATE, or DELETE control statements
2 Rename       - Create statement to RENAME entry label
3 Set          - Create a statement to SET installation data
4 Edit         - Edit the statement storage data set

```

*Figure 76. Selecting the Set Option on the KGUP Control Statement Menu Panel*

2. See [Figure 77](#) on page 229. From this panel you can create a SET control statement. For information about the SET control statement keywords, refer to [“Syntax of the SET Control Statement”](#) on page 203.

```

CSFCSE30 ----- ICSF - Create SET Control Statement -----
COMMAND ==>

Specify installation data for exit processing

Installation Data ==> _____
Comment Line      ==> _____

Press ENTER to create and store control statement
Press END to exit to the previous panel without saving

```

*Figure 77. Create SET Control Statement Panel*

3. In the Installation Data field, enter the data to pass to a KGUP installation exit.
4. In the Comment Line field, you can enter up to 45 characters of information about the control statement.

The information appears as a comment that precedes the control statement in the input control statement data set.

An example of a Create SET Control Statement panel which passes date information to the installation exit is shown in [Figure 78](#) on page 229.

```

CSFCSE30 ----- ICSF - Create SET Control Statement -----
COMMAND ==>

Specify installation data for exit processing

Installation Data ==> BRANCH051992110119930131_____
Comment Line      ==> Branch 5 POS terminal date information_____

Press ENTER to create and store control statement
Press END to exit to the previous panel without saving

```

*Figure 78. Completing the Create SET Control Statement Panel*

5. When you enter all the information on this panel, press ENTER.

ICSF writes the control statement in the input control statement data set.

When the control statement is created, the message SUCCESSFUL UPDATE appears on the right side of the top line of the panel.

6. Press END to return to the KGUP Control Statement Menu panel.

## Steps for editing control statements

You can edit the control statement input data set that you specified for this KGUP job. The control statement input data set contains the control statements you created when you specified the control statement input data set.

To edit the control statements you created:

1. Choose option 4 on the KGUP Control Statement Menu panel, as shown in [Figure 79 on page 230](#).

```
CSFCSM00 ----- ICSF - KGUP Control Statement Menu -----
OPTION ==> 4

Storage data set for control statements (DDNAME = CSFIN)

Data Set Name: LARSON.CSFIN.TESTDS1P(TEST2)

Enter the number of the desired option above.

1 Maintain      - Create ADD, UPDATE, or DELETE control statements
2 Rename       - Create statement to RENAME entry label
3 Set          - Create a statement to SET installation data
4 Edit         - Edit the statement storage data set

Press ENTER to go to the selected option
Press END to exit to the previous panel
```

*Figure 79. Selecting the Edit Option on the KGUP Control Statement Menu Panel*

The ISPF editor displays the control statement input data set. An example of a data set called LARSON.CSFIN.TESTDS1P(TEST2) with a SET, ADD, and RENAME control statement is shown in [Figure 80 on page 230](#).

```
ISREDDE - LARSON.CSFIN.TESTDS1P(TEST2) - 00.00 ----- COLUMNS 001 072
COMMAND ==> - SCROLL ==> CSR
***** ***** TOP OF DATA *****
000001 /* TEST INSTALLATION DATA */
000002 SET INSTDATA('This is test installation data')
000003 /* EXPORT TEST KEY */
000004 ADD TYPE(EXPORTER),
000005 TRANSKEY(SENDTOBRANCH5JUNE99)
000006 LABEL(ATMBRANCH5M0001)
000007 /* EXPORT TEST KEY RENAMED */
000008 RENAME LABEL(JWL@SSIDEC97,JWL@SSIJUNE99) TYPE(EXPORTER)
***** ***** BOTTOM OF DATA *****
```

*Figure 80. Edit Control Statement Initial Display Panel*

2. You can change any information on the control statements in the data set. You can also add lines to the data set that contains comments or control statements.
3. To specify many similar control statements, copy lines in this file and edit them to create additional control statements.

**Note:** The panel does not check whether the control statements that you change are syntactically correct.

[Figure 81 on page 231](#) shows the insertion of a comment line in the file.



```

ISREDDE - LARSON.CSFIN.TESTDS1P(TEST2) - 00.00 ----- COLUMNS 001 072
COMMAND ==> SCROLL ==> CSR
***** ***** TOP OF DATA *****
'' /* This comment was inserted using the editor */_
000001 /* TEST INSTALLATION DATA */
000002 SET INSTDATA('This is test installation data')
000003 /* EXPORT TEST KEY */
000004 ADD TYPE(EXPORTER),
000005     TRANSKEY(SENDTOBRANCH5JUNE99)
000006     LABEL(ATMBRANCH5M0001)
000007 /* EXPORT TEST KEY RENAMED */
000008 RENAME LABEL(JWL@SSIDEC97,JWL@SSIJUNE99) TYPE(EXPORTER)
***** ***** BOTTOM OF DATA *****

```

Figure 81. Edit Control Statement Data Set with Insert

4. When you make any changes, press END to save the changes and return to the KGUP Control Statement Menu panel.

## Steps for specifying data sets using the ICSF panels

When you run a KGUP job, you must specify the KGUP data sets for the program to use in its processing.

1. To access the panels to specify KGUP data sets, select option 2 on the Key Administration panel, as shown in [Figure 82 on page 231](#), and press ENTER.

```

CSFSAM00 ----- ICSF - Key Administration -----
OPTION ==> 2

```

Enter the number of the desired option.

- |   |          |   |
|---|----------|---|
| 1 | Create   | - Create key generator control statements         |
| 2 | Data Set | - Specify data sets for processing                |
| 3 | Submit   | - Invoke Key Generator Utility Program (KGUP)     |
| 4 | Refresh  | - Activate an existing cryptographic key data set |

Press ENTER to go to the selected option  
 Press END to exit to the previous panel

Figure 82. Selecting the Specify Data Set Option on the Key Administration Panel

The Specify KGUP Data Sets panel appears. See [Figure 83 on page 232](#).

```

CSFSAE20 ----- ICSF - Specify KGUP Data Sets -----
COMMAND ==> _

Enter data set names for all cryptographic files.
Cryptographic Key      (DDNAME = CSFCKDS)
  Data Set Name ==> -----

Control Statement Input (DDNAME = CSFIN)
  Data Set Name ==> -----
  Volume Serial ==> ----- (if uncataloged)

Diagnostics            (DDNAME = CSFDIAG) (use * for printer)
  Data Set Name ==> -----
  Volume Serial ==> ----- (if uncataloged)

Key Output             (DDNAME = CSFKEYS)
  Data Set Name ==> -----
  Volume Serial ==> ----- (if uncataloged)

Control Statement Output (DDNAME = CSFSTMNT)
  Data Set Name ==> -----
  Volume Serial ==> ----- (if uncataloged)

Press ENTER to set the data set names. Press END to exit to the previous panel.

```

Figure 83. Specify KGUP Data Sets Panel

This panel contains all the data sets that KGUP uses for input or output during processing. In the Data Set Name field under each type of data set, you specify the name of the data set for KGUP to use.

2. In the Cryptographic Key Data Set Name field, specify the name of the CKDS which contains the key entries that KGUP processes.

You must initialize the CKDS by using the method that is described in [“Initializing the key data sets at first-time startup”](#) on page 115. The data set can be any disk copy of a CKDS that is enciphered under the current master key.

3. In the Control Statement Input Data Set Name field, specify the name of the data set that contains the control statements you want KGUP to process for this job.
4. In the Volume Serial field, enter the volume serial for the data set if it is not cataloged.

If you specified a control statement input data set on the KGUP Control Statement Data Set Specification panel, the data set name appears in the Control Statement Input Data Set Name field on this panel. If you change the data set name on this panel, it automatically changes on the KGUP Control Statement Data Set Specification panel. Refer to [Figure 61 on page 217](#) for an example of the KGUP Control Statement Data Set Specification panel.

5. In the Diagnostics Data Set Name field, specify the name of the data set where KGUP places the image of the control statements and any diagnostic KGUP generates.

You do not have to allocate this data set when you specify the data set in this field. If the data set does not already exist, then a job control language statement that allocates the data set can be used when you submit the job.

6. In the Volume Serial field, enter the volume serial for the data set if the data set already exists but is not cataloged.

If you enter an \* in the Diagnostics Data Set Name field, the information is printed directly to a printer instead of a data set.

7. In the Key Output Data Set Name field, specify the name of the data set that contains key values that are generated to use to create complementary key values.

You do not have to allocate this data set when you specify the data set in this field. If the data set does not already exist, then a job control language statement that allocates the data set can be used when you submit the job.

8. In the Volume Serial field, enter the volume serial for the data set if the data set already exists but is not cataloged.

9. In the Control Statement Output Data Set Name field, specify the name of the data set that contains control statements generated to use to create complementary key values.

You do not have to allocate this data set when you specify the data set in this field. If the data set does not already exist, then a job control language statement that allocates the data set can be used when you submit the job.

10. In the Volume Serial field, enter the volume serial for the data set if the data set already exists but is not cataloged.

For a more complete description of each of the data sets, see [“Specifying KGUP data sets” on page 211](#).

The data sets that you name appear on this panel the next time you access it.

An example of a Specify KGUP Data Sets panel with the names of data sets specified for KGUP processing is shown in [Figure 84 on page 233](#).

```
CSFSAE20 ----- ICSF - Specify KGUP Data Sets -----
COMMAND ==> _

Enter data set names for all cryptographic files.
Cryptographic Key      (DDNAME = CSFCKDS)
  Data Set Name ==> TEST.CSFCKDS_-----

Control Statement Input (DDNAME = CSFIN)
  Data Set Name ==> CSFIN.TESTDS1P(TEST)-----
  Volume Serial ==> _____ (if uncataloged)

Diagnostics            (DDNAME = CSFDIAG) (use * for printer)
  Data Set Name ==> *_____
  Volume Serial ==> _____ (if uncataloged)

Key Output              (DDNAME = CSFKEYS)
  Data Set Name ==> TEST.CSFKEYS_-----
  Volume Serial ==> _____ (if uncataloged)

Control Statement Output (DDNAME = CSFSTMNT)
  Data Set Name ==> TEST.CSFSTMNT_-----
  Volume Serial ==> _____ (if uncataloged)

Press ENTER to set the data set names. Press END to exit to the previous panel.
```

*Figure 84. Completing the Specify KGUP Data Sets Panel*

11. Press ENTER to set the data set names.
12. Press END to return to the ICSF Key Administration panel.

## Steps for creating the job stream using the ICSF panels

The Set KGUP JCL Job Card panel appears. When you create the control statements and specify the data sets for KGUP processing, you submit the job to run KGUP. You submit a KGUP job stream to process control statements which modify a CKDS and output information to other data sets. The names of the data sets that KGUP uses are specified in the job stream.

1. To access the panels to create the KGUP job stream, select option 3 on the Key Administration panel, as shown in [Figure 85 on page 234](#), and press ENTER.

```

CSFSAM00 ----- ICSF - Key Administration -----
OPTION ==> 3

Enter the number of the desired option.

1 Create          - Create key generator control statements
2 Data Set       - Specify data sets for processing
3 Submit         - Invoke Key Generator Utility Program (KGUP)
4 Refresh        - Activate an existing cryptographic key data set

Press ENTER to go to the selected option
Press END  to exit to the previous panel

```

*Figure 85. Invoking KGUP by Selecting the Submit Option on the Key Administration Panel*

See [Figure 86 on page 234](#). The first time you access this panel, the panel displays a JOB statement similar to the one that is shown in this example. ICSF displays your userid as the job name. From this panel you can create a job to run KGUP.

```

CSFSAE30 ----- ICSF - Set KGUP JCL Job Card -----
COMMAND ==> _

S - Submit the KGUP job stream for execution
E - Edit the KGUP job stream and issue the TSO SUBMIT command

Note: If you choose E, and want to submit the job stream with
your changes, issue the TSO SUBMIT command before you leave the
edit session; your updates to the job stream will NOT be saved.

Enter or verify job statement information:

==> //LARSON JOB (ACCOUNT), 'NAME',MSGCLASS=C_____
==> //*_____
==> //*_____
==> //*_____

Enter dsname of library containing Installation Exit Module:

==> _____

Special Secure Mode      ==> NO_ NO or YES

Press END to exit to previous panel

```

*Figure 86. Set KGUP JCL Job Card Panel*

2. Change the job statement according to the specifications of your installation.

The line of the job control language that appears on this panel contains the job card that is needed to submit the job on the Job Entry Subsystem (JES). This panel displays some commonly used parameters that are installation dependent. A job name and the word JOB are the only required parameters on a job statement. All the other parameters are only required depending on your installation. You can delete or specify these parameters and add more parameters depending on the requirements of your installation. When you change the information that is displayed, ICSF saves these changes so they appear every time you display the panel.

- a. In the ACCOUNT parameter, enter accounting information as specified by your installation.
- b. In single quotes, enter the name that appears on the output of the job.
- c. In the MSGCLASS parameter, set the output class for the job log.

When you specify the JOB statement information, the panel displays three comment lines where you can include any information about the job.

- d. If all the parameters do not fit on the first line, delete the \* on the second line and continue the JOB statement parameters.
3. If your installation calls an installation exit during KGUP processing and the library containing the exit load module is not in the link list, specify the library in the "Enter dsname of library containing Installation Exit Module" field.

Because the library must be an authorized library, the library must be defined in your installation's IEAAPFxx member.

4. If any of the control statements contain the CLEAR keyword, specify YES in the Special Secure Mode field. Otherwise, ICSF does not have to be in special secure mode, and you should specify NO in the Special Secure Mode field.

5. When you specify the necessary information, you can either:

- Enter S to submit the job.

KGUP creates the job stream and automatically submits the job to run the program.

- Enter E to edit the job.

KGUP creates the job stream and then displays the job stream on a panel in ISPF edit mode. [Figure 87 on page 235](#) shows an example of a panel in ISPF edit mode that contains a job stream to run KGUP. When ICSF creates the job stream, ICSF defines the data sets that KGUP uses in the job. It defines these data sets according to the information you specified on the Specify KGUP Data Sets Panel. Refer to [Figure 84 on page 233](#).

- a. On this panel, you can view the job stream ICSF created and make any necessary changes to the job stream.
- b. To submit your job with the changes, you must use the TSO SUBMIT command from the edit session. Type SUBMIT on the command line and press ENTER to submit the job and run KGUP.
- c. To return to the Set KGUP JCL Job Card panel without submitting the job stream, press END.

The job stream is not saved when you leave this panel.

```
ISREDDE - SYS88218.T095045.RA000.LARSON.R0000002 ----- COLUMNS 001 072
COMMAND ==> _                               SCROLL ==> CSR
***** ***** TOP OF DATA *****
000001 //LARSON JOB (ACCOUNT), 'NAME',MSGCLASS=C
000002 //*
000003 //*
000004 //*
000005 //KGUP EXEC PGM=CSFKGUP,PARM=('NOSM')
000006 //CSFKDS DD DSN=LARSON.TEST.CSFKDS,
000007 // DISP=OLD
000008 //CSFIN DD DSN=LARSON.CSFIN.TESTDS1P(TEST),
000009 // DISP=OLD
000010 //CSFDIAG DD SYSOUT=*
000011 //CSFKEYS DD DSN=LARSON.TEST.CSFKEYS,
000012 // DISP=OLD
000013 //CSFSTMNT DD DSN=LARSON.TEST.CSFSTMNT,
000014 // DISP=OLD
***** ***** BOTTOM OF DATA *****
```

Figure 87. KGUP JCL Set for Editing and Submitting (Files Exist)

## Example of a KGUP job stream with existing data sets

The KGUP job stream in [Figure 87 on page 235](#) is an example of a job stream in which the data sets already exist.

In the EXEC statement of the job stream that ICSF created, the PGM parameter specifies that the job run KGUP. The PARM parameter notifies KGUP whether special secure mode is enabled. The keyword SSM indicates that the mode is enabled, and NOSM indicates that the mode is not enabled.

The data definition (DD) statements identify the data sets that KGUP uses while processing. ICSF uses the names you provide on the Specify KGUP Data Sets panel. The cryptographic key data set (CSFCKDS) and the control statement input data set (CSFIN) have to exist prior to ICSF generating the job stream. The other data sets do not have to already exist. In the example that is shown on this panel, all the data sets existed prior to ICSF creating the job stream.

On the DD statements, the DSN parameter specifies the data set name. ICSF uses the name you provide on the Specify KGUP Data Sets panel for the data set name. The DISP parameter indicates the data set's status. On this panel, all the data sets existed prior to ICSF creating this job stream, therefore the job stream indicates a status of OLD for the data sets.

In [Figure 87 on page 235](#), the DD statement for the diagnosis data set (CSFDIAG) is different from the other DD statements. The SYSOUT=\* parameter specifies that ICSF print the data set on the output listing.

**Note:** You can change the default values that are used with the job control language such as the record format and record length by changing the outline file, CSFSAJ30. The information appears in the front of CSFSAJ30. CSFSAJ30 resides in the ICSF skeleton library.

## Example of a KGUP job stream with non-existing data sets

[Figure 88 on page 236](#) shows an example of a panel in ISPF edit mode that contains a KGUP job stream where certain data sets did not exist previously.

```

ISREDD - SYS88218.T095045.RA000.LARSON.R0000003 ----- COLUMNS 001 072
COMMAND ==> _ SCROLL ==> CSR
***** ***** TOP OF DATA *****
000001 //LARSON JOB (ACCOUNT), 'NAME', MSGCLASS=C
000002 //*
000003 //*
000004 //*
000005 //KGUP EXEC PGM=CSFKGUP, PARM=('NOSSM')
000006 //CSFCKDS DD DSN=LARSON.TEST.CSFCKDS,
000007 // DISP=OLD
000008 //CSFIN DD DSN=LARSON.CSFIN.TESTDS2P(TEST2),
000009 // DISP=OLD
000010 //CSFDIAG DD DSN=LARSON.TEST.CSFDIAG,
000011 // DISP=(,CATLG,CATLG),UNIT=SYSDA,
000012 // DCB=(RECFM=FBA,LRECL=133,BLKSIZE=13300),
000013 // SPACE=(TRK,(220,10),RLSE)
000014 //CSFKEYS DD DSN=LARSON.TEST.CSFKEYS,
000015 // DISP=(,CATLG,CATLG),UNIT=SYSDA,
000016 // DCB=(RECFM=FB,LRECL=208,BLKSIZE=3328),
000017 // VOL=SER=TS0001,SPACE=(TRK,(60,10),RLSE)
000018 //CSFSTMT DD DSN=LARSON.TEST.CSFSTMT,
000019 // DISP=(,CATLG,CATLG),UNIT=SYSDA,
000020 // DCB=(RECFM=FB,LRECL=80,BLKSIZE=3200),
000021 // SPACE=(TRK,(60,10),RLSE)
***** ***** BOTTOM OF DATA *****

```

*Figure 88. KGUP JCL Set for Editing and Submitting (Files Do Not Exist)*

The job stream contains information to create the diagnosis data set (CSFDIAG), key output data set (CSFKEYS), and the control statement output data set (CSFSTMT) that did not previously exist. On the DISP parameter, the CATLG keyword specifies that you want the data set cataloged when the job ends normally and when the job ends abnormally. The unit parameter indicates the device you want the data set to reside on. The DCB parameter specifies the necessary data control block information such as the record format (RECFM), record length (LRECL) and block size (BLKSIZE).

When you submit the job, KGUP performs the functions you specified on the control statements. The functions KGUP performs change the CKDS. You can view the diagnostics data set to know whether KGUP successfully processed the control statements.

## Steps for refreshing the active CKDS using the ICSF panels

KGUP processing affects keys that are stored on a disk copy of the CKDS. You specify the name of the data set when you submit the KGUP job. For information on specifying the disk copy of the CKDS for KGUP processing, see [“Steps for specifying data sets using the ICSF panels” on page 231](#).

ICSF functions use an in-storage copy of the CKDS. To make the changes caused by the KGUP processing active, you replace the in-storage copy of the CKDS with the disk copy that the KGUP processing changed. You refresh the current copy of the CKDS with the changed disk copy of the CKDS. This procedure should be performed on all systems sharing the updated CKDS to ensure they all utilize the updated CKDS records.

**Note:** The preferred method for performing a CKDS refresh is to use the coordinated refresh function. See [“Performing a coordinated CKDS refresh” on page 122](#) for environment requirements and instructions.

1. To access the panels to refresh the current CKDS, choose option 4 on the Key Administration panel, as shown in [Figure 89 on page 237](#).

```
CSFSAM00 ----- ICSF - Key Administration -----
OPTION ==> 4

Enter the number of the desired option.

1 Create          - Create key generator control statements
2 Data Set        - Specify data sets for processing
3 Submit          - Invoke Key Generator Utility Program (KGUP)
4 Refresh         - Activate an existing cryptographic key data set

Press ENTER to go to the selected option
Press END  to exit to the previous panel
```

*Figure 89. Selecting the Refresh Option on the Key Administration Panel*

The Refresh in-storage CKDS panel appears. See [Figure 90 on page 237](#).

```
CSFSAE40 ----- ICSF - Refresh in-storage CKDS -----
COMMAND ==> _

Enter the Cryptographic Key Data Set (CKDS) to be loaded.

Cryptographic Keys ==> TEST.CSFCKDS_____

Press ENTER to refresh the in-storage copy of CKDS
Press END  to exit to previous panel
```

*Figure 90. Refresh In-Storage CKDS*

2. Enter the name of the disk copy of the CKDS to replace the current in-storage copy.

The name of the CKDS that you chose when you specified data sets for KGUP processing on the Specify KGUP Data Sets panel, automatically appears on this panel. If you change the data set name on this panel, the data set name on the Specify KGUP Data Sets panel also changes. Refer to [Figure 84 on page 233](#) for an example of the Specify KGUP Data Sets panel.

3. Press ENTER to replace the in-storage copy of the CKDS with the disk copy.

Applications that are running on ICSF are not disrupted. A message stating that the CKDS was refreshed appears on the right of the top line on the panel.

If CKDS record authentication is enabled, ICSF performs a MAC verification on the records when reading the CKDS into storage. If a record fails the MAC verification, the record is not loaded into storage. The operator receives a message indicating the key label and type for that record.

4. Press END to return to the Key Administration Panel.

**Note:** If you restart ICSF, the name of the disk copy that you specify in the CKDSN installation option is read into storage.

## Scenario of Two ICSF Systems Establishing Initial Transport Keys

This scenario describes how two ICSF systems, System A and System B, establish initial transport keys between themselves. They establish two pairs of complementary importer and exporter keys at each location, as shown in Figure 91 on page 238.

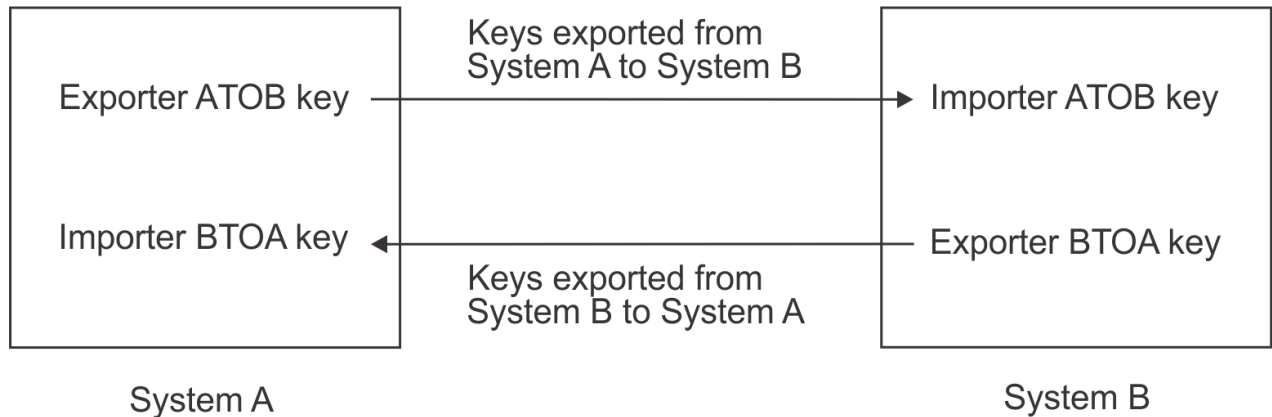


Figure 91. Key Exchange Establishment between Two ICSF Systems

The systems can use these importer and exporter keys during key exchange. First the ICSF administrators at the two locations establish the complementary transport keys to send keys from System A to System B. These keys are the Exporter ATOB key at System A and the Importer ATOB key at System B.

The ICSF administrator at System A submits this control statement to System A's KGUP to create the Exporter ATOB key.

```
ADD LABEL(ATOB) TYPE(EXPORTER) CLEAR
```

KGUP processes this control statement to generate the Exporter ATOB key and places the key in System A's CKDS. KGUP creates a record containing the clear key created for the system, and that record is written to the CSFKEYS data set. This key value must be used to create a control statement like this:

```
ADD LABEL(ATOB) TYPE(IMPORTER) CLEAR,
KEY(B2403EF8125A036F,239AC35A72941EF2)
```

System A can send this control statement to System B, and System B can create the Importer ATOB key. The key value in this control statement is the clear value of the Exporter ATOB key. System A does not send this control statement to System B over the network, because the key value is a clear key value. System A has a courier deliver the control statement to System B.

The administrator at System B submits the control statement to its KGUP. KGUP processes the control statement to create the ATOB importer key. The ATOB exporter key at system A and the ATOB importer key at System B are complementary keys.

This procedure creates a pair of complementary transport keys for keys sent from System A to System B. When System A sends a key to System B it enciphers the key using the ATOB exporter key. When System B receives the key, System B deciphers the key using the ATOB importer key.

Then the ICSF administrators at the two locations establish the complementary transport keys to send keys from System B to System A. These keys are the Importer BTOA key at System A and the Exporter BTOA key at System B.



The ICSF administrator at System A submits this control statement to System A's KGUP to generate the Importer BTOA key.

```
ADD LABEL(BTOA) TYPE(IMPORTER) TRANSKEY(ATOB)
```

KGUP processes this control statement to generate the Importer BTOA key and places the key in System A's CKDS. KGUP also creates this control statement and places the statement in the control statement output data set.

```
ADD LABEL(BTOA) TYPE(EXPORTER) TRANSKEY(ATOB),  
KEY(AF04C35A7F1C9636,03CBB854653A0BCF)
```

System A can send this control statement to System B and System B can use the statement to create the Exporter BTOA key. The key value in this control statement is the value of the Importer BTOA key enciphered under the Exporter ATOB key. System A can send this control statement to System B over the network, because the key value is enciphered.

The ICSF administrator at System B submits the control statement to its KGUP. The program processes the control statement to generate the Exporter BTOA key. The Importer BTOA key at System A and the Exporter BTOA key at System B are complementary keys.

This procedure creates a pair of complementary transport keys for keys sent from System B to System A. When System B sends a key to System A, System B enciphers the key using the Exporter BTOA key. When System A receives the key, System A decipheres the key using the Importer BTOA key.

Using these procedures two pairs of complementary transport keys are established at each facility to allow key exchange between the two facilities.

**Note:**

1. During these procedures, the special secure mode at each system must be enabled, while KGUP is generating or receiving clear key values.
2. The ICSF administrator at System A can submit in the same KGUP job both the ADD control statements meant for processing at System A.
3. The ICSF administrator at System B can submit in the same KGUP job both the ADD control statements meant for processing at System B.

## Scenario of an ICSF System and a PCF System Establishing Initial Transport Keys

This scenario describes how an ICSF system and a PCF system establish initial transport keys between themselves. They establish two pairs of complementary importer and exporter keys at each location, as shown in [Figure 92 on page 239](#).

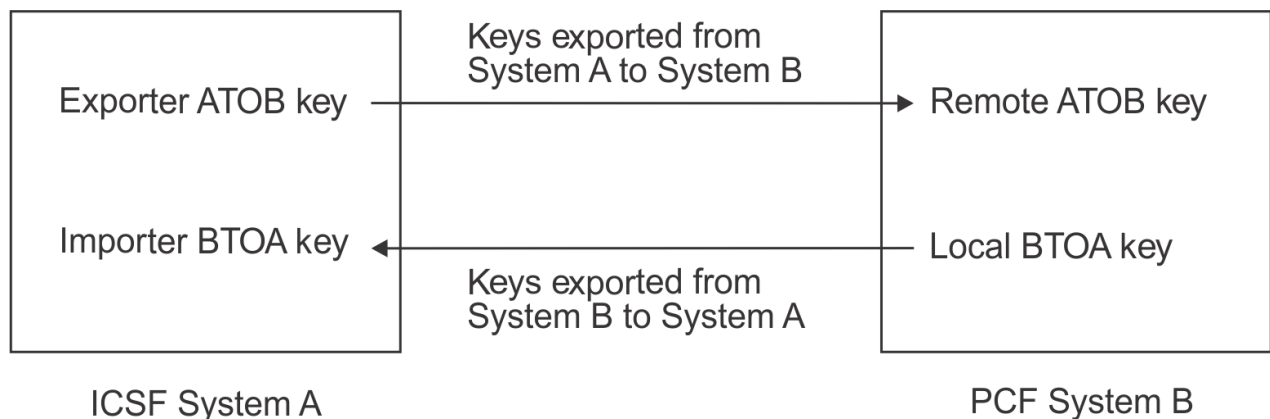


Figure 92. Key Exchange Establishment between an ICSF System and a PCF System

The systems can use these importer and exporter keys during key exchange.

First the ICSF administrators at the two locations establish the complementary transport keys to send keys from ICSF System A to PCF System B. These keys are the Exporter ATOB key at ICSF System A and the Remote ATOB key at PCF System B.

The ICSF administrator at ICSF System A submits this control statement to ICSF System A's KGUP to create the Exporter ATOB key.

```
ADD LABEL(ATOB) TYPE(EXPORTER) CLEAR NOCV
```

**Note:** If System B is a PCF system, the ICSF administrator must also specify the keyword SINGLE on this control statement.

KGUP processes this control statement to generate the Exporter ATOB key and places the key in ICSF System A's CKDS. KGUP also creates this control statement and places the statement in the control statement output data set.

```
ADD LABEL(ATOB) TYPE(IMPORTER) CLEAR,  
KEY(B2403EF8125A036F,239AC35A72941EF2) NOCV
```

ICSF System A needs to send this control statement to PCF System B so that PCF System B can create the Remote ATOB key. The key value in this control statement is the clear value of the ATOB exporter key. ICSF System A does not send this control statement to PCF System B over the network, because the key value is a clear key value. ICSF System A has a courier deliver the control statement to System B.

The administrator at either system must change the ICSF control statement format into the PCF control statement format. The administrator could also use information from the key output data set to create the PCF control statement.

The control statement submitted at PCF System B would have this syntax:

```
REMOTE ATOB,KEY=B2403EF8125A036F,IKEY=239AC35A72941EF2,ADD
```

The administrator at PCF System B submits the control statement to the PCF key generation utility program, which processes the control statement to create the ATOB Remote key. The ATOB Exporter key at System A and the ATOB Remote key at PCF System B are complementary keys.

This procedure creates a pair of complementary transport keys for keys sent from ICSF System A to PCF System B. When ICSF System A sends a key to PCF System B, System A enciphers the key using the ATOB exporter key. When PCF System B receives the key, PCF System B deciphers the key using the Remote ATOB key.

Then the ICSF administrators at the two locations establish the complementary transport keys to send keys from PCF System B to ICSF System A. These keys are the Importer BTOA key at ICSF System A and the Local BTOA key at PCF System B.

The ICSF administrator at ICSF System A submits this control statement to ICSF System A's KGUP to generate the Importer BTOA key.

```
ADD LABEL(BTOA) TYPE(IMPORTER) CLEAR NOCV
```

KGUP processes this control statement to generate the Importer BTOA key and places the statement in ICSF System A's CKDS. KGUP also creates this control statement and places the statement in the control statement output data set.

```
ADD LABEL(BTOA) TYPE(EXPORTER) CLEAR,  
KEY(6F3463CA3FBC0626,536B1864954A0B1F) NOCV
```

System A can send this control statement to System B, which can then use it to create the Local BTOA key. The key value in this control statement is the clear value of the BTOA importer key. ICSF System A does not send this control statement to PCF System B over the network, because the key value is a clear key value. ICSF System A has a courier deliver the control statement to PCF System B.

The administrator at either system must change the ICSF control statement format into the PCF control statement format. The administrator can also use information from the key output data set to create the PCF control statement.

The control statement submitted at PCF System B would have this syntax:

```
LOCAL BTOA,KEY=6F3463CA3FBC0626,IKEY=536B1864954A0B1F,ADD
```

The administrator at PCF System B submits the control statement to the PCF key generation utility program, which processes the control statement to generate the Local BTOA key. The Importer BTOA key at ICSF System A and the Local BTOA key at PCF System B are complementary keys.

**Note:** A single PCF key generation control statement can be used to generate both Remote and Local BTOA keys, also called a CROSS key pair.

```
CROSS BTOA,KEYLOC=6F3463CA3FBC0626,IKEYLOC=536B1864954A0B1F,
KEYREM=B2403EF8125A036F,IKEYREM=239AC35A72941EF2,ADD
```

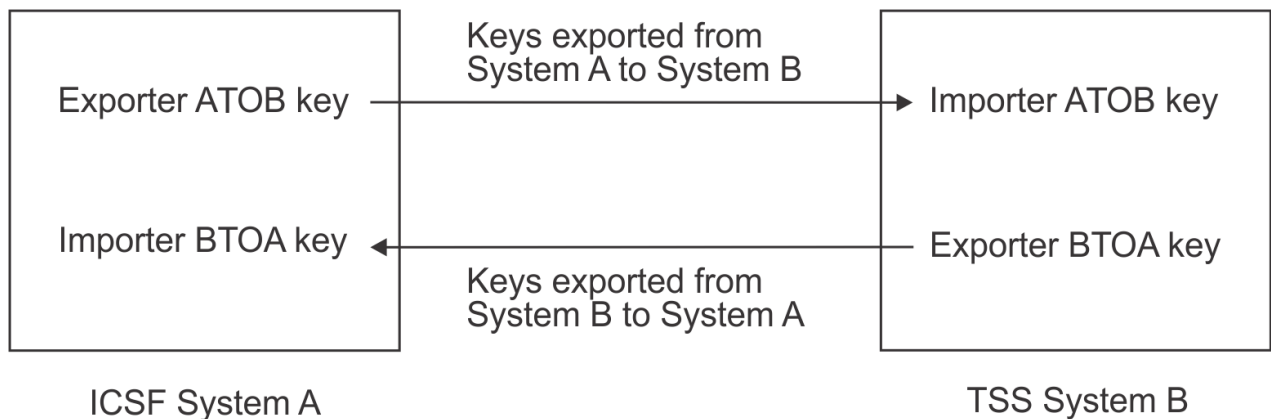
This procedure creates a pair of complementary transport keys for keys sent from PCF System B to ICSF System A. When PCF System B sends a key to ICSF System A, System B enciphers the key, using the Local BTOA key. When ICSF System A receives the key, ICSF System A deciphers the key, using the Importer BTOA key.

By these procedures, two pairs of complementary transport keys are established at each location so that the two systems can exchange keys.

**Note:** During these procedures, the special secure mode should be enabled while KGUP generates or receives clear key values.

## Scenario of an ICSF System and IBM 4767 PCIe and IBM 4765 PCIe Cryptographic Coprocessors Establishing Initial Transport Keys

This scenario describes how an ICSF system and IBM 4767 PCIe and IBM 4765 PCIe Cryptographic Coprocessors establish initial transport keys between themselves. They establish two pairs of complementary importer and exporter keys at each location, as shown in [Figure 93 on page 241](#).



*Figure 93. Key Exchange Establishment between IBM 4767 PCIe and IBM 4765 PCIe Cryptographic Coprocessors systems and an ICSF System*

The systems can use these importer and exporter keys during key exchange. First, the ICSF System A administrator and the TSS System B administrator establish the complementary transport keys to send keys from ICSF System A to TSS System B. These keys are the Exporter ATOB key at System A and the Importer ATOB key at System B.

The ICSF administrator at System A submits this control statement to System A's KGUP to create the Exporter ATOB key.

```
ADD LABEL(ATOB) TYPE(EXPORTER) CLEAR
```

KGUP processes this control statement to generate the Exporter ATOB key and places the key in System A's CKDS. KGUP creates a record containing the clear key created for the system, and that record is written to the CSFKEYS data set. ICSF System A then sends this clear key to TSS System B. Because the key value is in the clear, System A has a courier deliver the key, rather than sending it over the network.

The TSS administrator at System B uses the `Secure_Key_Import` verb to import the ATOB importer key, because the key value is in the clear. The administrator can then use the `Key_Record_Create` and the `Key_Record_Write` verbs to place the key in TSS key storage. The ATOB exporter key at ICSF system A and the ATOB importer key at TSS System B are complementary keys.

This procedure creates a pair of complementary transport keys for keys sent from ICSF System A to TSS System B. When ICSF System A sends a key to TSS System B, it enciphers the key using the ATOB exporter key. When TSS System B receives the key, it deciphers the key using the ATOB importer key.

Next, the administrators at the two facilities establish the complementary transport keys to send keys from TSS System B to ICSF System A. These keys are the Importer BTOA key at ICSF System A and the Exporter BTOA key at TSS System B. The ICSF administrator at System A submits this control statement to System A's KGUP to generate the Importer BTOA key.

```
ADD LABEL(BTOA) TYPE(IMPORTER) TRANSKEY(ATOB)
```

KGUP processes this control statement to generate the Importer BTOA key and places the key in System A's CKDS. The ICSF System A administrator can send this key to the TSS System B over the network, because the key value is enciphered.

The TSS administrator at System B uses `Key_Import`, `Key_Record_Create`, and the `Key_Record_Write` verbs to import the key and place it in TSS key storage. The Importer BTOA key at System A and the Exporter BTOA key at System B are complementary keys.

This procedure creates a pair of complementary transport keys for keys sent from TSS System B to ICSF System A. When TSS System B sends a key to ICSF System A, TSS System B enciphers the key using the Exporter BTOA key. When ICSF System A receives the key, it deciphers the key using the Importer BTOA key.

Using these procedures two pairs of complementary transport keys are established at each location to allow key exchange between the two systems.

**Note:**

1. During these procedures, the special secure mode must be enabled on ICSF while KGUP is generating or receiving clear key values, and the `Secure_Key_Import` verb must be enabled on TSS to receive clear keys.
2. The ICSF administrator at System A can submit in the same KGUP job both the ADD control statements meant for processing at System A.

# Chapter 14. Viewing and Changing System Status

This topic describes:

- [“Displaying administrative control functions” on page 244](#)
- [“Displaying cryptographic coprocessor status” on page 245](#)
- [“Changing coprocessor or accelerator status” on page 247](#)
- [“Displaying coprocessor hardware status” on page 248](#)
- [“Displaying installation options” on page 256](#)
- [“Display CCA domain roles” on page 268](#)
- [“Displaying installation exits” on page 280](#)
- [“Displaying installation-defined callable services” on page 282](#)

You define installation options, and any installation exits and installation-defined callable services to ICSF. Using the ICSF panels, you can view how these options and programs are currently defined. During master key management, you change the status of the key storage registers that contain key parts and the master keys. You can use the ICSF panels to view the status of these hardware registers. You can also use the ICSF panels to deactivate or activate your cryptographic coprocessors and accelerators.

When you check the status of an installation option, an installation exit, or an installation-defined callable service, you may decide to change how you defined the option or program. You must change the information in the installation options data set and restart ICSF to activate the change.

## Identification of cryptographic features

Starting in ICSF FMID HCR77B0, the prefix used to identify Crypto Express2, Crypto Express3, and Crypto Express4 adapters has changed. The following table lists the prefix for these adapters for FMIDs prior to HCR77B0 and the prefix for these adapters for FMID HCR77B0 and later releases. This change applies to ICSF messages, panels, and publications. The TKE workstation uses this same identification starting with TKE release 8.0.

*Table 55. Cryptographic adapter identification*

<b>Cryptographic adapter</b>	<b>Prefix for FMIDs prior to HCR77B0</b>	<b>Prefix for FMID HCR77B0 and later</b>
<b>Crypto Express2 coprocessor</b>	E	2C
<b>Crypto Express2 accelerator</b>	F	2A
<b>Crypto Express3 coprocessor</b>	G	3C
<b>Crypto Express3 accelerator</b>	H	3A
<b>Crypto Express4 CCA coprocessor</b>	SC	4C
<b>Crypto Express4 EP11 coprocessor</b>	SP	4P
<b>Crypto Express4 accelerator</b>	SA	4A

**Note:** All newer cryptographic adapters use the convention where  $n$  is the number in the adapter name. For regional cryptographic servers,  $n$  represents the generation number of the server:

**$nA$**

Crypto Express $n$  accelerators.

**nC**

Crypto Expressn CCA coprocessors.

**nP**

Crypto Expressn EP11 coprocessors.

**nR**

Regional cryptographic servers. Note: 2R requires ICSF FMID HCR77B1 with PTF OA49069 or later.

## Displaying administrative control functions

---

To display administrative control functions:

1. Select option 4, ADMINCNTL, on the “[ICSF Primary Menu panel](#)” on page 481. The “[CSFACF00 – Administrative Control Functions panel](#)” on page 481 appears.
2. On the “[CSFACF00 – Administrative Control Functions panel](#)” on page 481, you can view these options and their values:

### **Dynamic CKDS Access (ENABLED or DISABLED)**

Specifies whether the dynamic CKDS update services are currently enabled. You can enable or disable these services by placing an 'E' or 'D' for the function on this panel.

#### **Value**

##### **Indication**

#### **ENABLED**

The dynamic CKDS update services are enabled.

#### **DISABLED**

The dynamic CKDS update services are disabled.

### **PKA Callable Services (ENABLED or DISABLED)**

Specifies whether the use of PKA callable services is currently enabled. You can enable or disable these services by placing an 'E' or 'D' for the function on this panel.

#### **Value**

##### **Indication**

#### **ENABLED**

PKA callable services are enabled.

#### **DISABLED**

PKA callable services are disabled.

**Note:** The PKA callable services control will not appear on the panel if your system has a CEX3C coprocessor.

### **Dynamic PKDS Access (ENABLED or DISABLED)**

Specifies whether the use of Dynamic PKDS Access callable services are currently enabled. You can enable or disable these services by by placing an 'E' or 'D' for the function on this panel.

#### **Value**

##### **Indication**

#### **ENABLED**

The Dynamic PKDS Access callable services are enabled.

#### **DISABLED**

The Dynamic PKDS Access callable services are enabled.

### **Notes:**

- Access to the functions performed using this panel can be controlled by setting up profiles in the CSFSERV class for both CSFRSWS and CSFSSWS.
- If your system is running ICSF FMID HCR77B1 or later, the DISPLAY ICSF,KDS operator command can also be used to show the access state (ENABLED or DISABLED) for a particular KDS. Use the SETICSF

command to change the access state if required. For additional information on ICSF operator commands, see [z/OS Cryptographic Services ICSF System Programmer's Guide](#).

## Displaying cryptographic coprocessor status

---

Use the ICSF panels to view the status of the coprocessors. To display coprocessor status:

1. Select option 1, COPROCESSOR MGMT, on the “ICSF Primary Menu panel” on page 481.
2. The “CSFCMP00 – Coprocessor Management panel” on page 484 appears.

On this panel, you can view these options and their values:

### Crypto Feature

The prefix indicates the type of cryptographic coprocessor or accelerator.

#### The prefix

##### Represents a

#### A

PCI Cryptographic Accelerator

#### 2C

Crypto Express2 Coprocessor

#### 2A

Crypto Express2 Accelerator

#### 3C

Crypto Express3 Coprocessor

#### 3A

Crypto Express3 Accelerator

#### 4A

Crypto Express4 Accelerator

#### 4C

Crypto Express4 CCA Coprocessor

#### 4P

Crypto Express4 PKCS #11 Coprocessor

#### 5A

Crypto Express5 Accelerator

#### 5C

Crypto Express5 CCA Coprocessor

#### 5P

Crypto Express5 PKCS #11 Coprocessor

#### 6A

Crypto Express6 Accelerator

#### 6C

Crypto Express6 CCA Coprocessor

#### 6P

Crypto Express6 PKCS #11 Coprocessor

#### X

PCI X Cryptographic Coprocessor

### Serial Number

The serial number is a number assigned to the Crypto Express coprocessors during manufacture. It is displayed for coprocessors configured for CCA or PKCS #11. It is not displayed for accelerators.

### Status

This field displays the status of the coprocessor.

## **State**

### **Indication**

#### **Active (Coprocessors)**

All of the MKVPs in the CKDS, PKDS, and TKDS match the current master key registers making the coprocessor available for work.

#### **Active (Accelerators)**

The accelerator is available for work.

#### **Master key incorrect (Coprocessors)**

The coprocessor has been configured online. However, at least one master key does not match the MKVP in the CKDS, PKDS, or TKDS. All of the MKVPs in the CKDS, PKDS, and TKDS must match the current master key registers for the coprocessor to become active.

#### **Offline (All)**

The feature may be physically present but it is not available to the operating system. Either it has never been configured online or it has been configured offline by an operator command from the hardware support element.

**Note:** If a feature is configured offline from the Support Element, this status display will not be updated automatically. Users will need to press ENTER on this panel to get the latest status.

#### **Disabled by TKE (Coprocessors)**

The feature has been removed from service by the TKE workstation.

#### **Deactivated (All)**

The feature has been deactivated from the Coprocessor Management panel or system console.

#### **Busy (All)**

An unexpected error has been returned from the card. The system goes into recovery to try to reset the card. If the reset is successful, the card is usable again. The user will have to press ENTER to refresh the status on the panel.

#### **Being reconfigured (All)**

An error has been detected and the ICSF configuration task has been invoked to check the feature. The feature may become active if the error is resolved.

#### **Initializing stage 1 (All)**

A newly online feature has been detected by ICSF and ICSF is starting the initialization process. No status is available.

#### **Initializing stage 2 (All)**

A newly online feature or active feature is being reset by ICSF as part of the initialization process or recovery process. No status is available.

#### **Initializing stage 3 (All)**

A newly online feature or inactive feature is being readied to process requests. No status is available.

#### **Hung User on latch (All)**

A feature is not responding and the configuration task is attempting to obtain the feature latch so the feature can be reset. One or more users hold the latch.

#### **Bad feature response (All)**

An unexpected response was received from a feature. The feature is unusable.

#### **Retry limit reached (All)**

While initializing a feature, the limit of attempts to gather status/information was reached. The feature is unusable. ICSF will try again to acquire status.

#### **Unknown response (Coprocessors)**

The coprocessor has returned an unrecognizable code in response to an attempt to determine its status.

#### **Unknown feature type (All)**

A feature has a type that is not recognized by ICSF. The feature is unusable.



### AES DES ECC RSA P11

The state of the master keys in the coprocessor. The state can be U (uninitialized - the current master key register is empty), C (correct - the current master key matches the MKVP in the key data set but the master key is not active), A (active – the master key is active and requests using this master key will be processed by the coprocessor), E (error - the current master key do not match the MKVP in the key data set), or I (ignored – the MKVP is not in the key data set). A hyphen (-) in the state area indicates the key type is not supported.

**Note:** If your system is running ICSF FMID HCR77B1 or later, the DISPLAY ICSF,CARDS operator command can also be used to show the state of cryptographic coprocessors and accelerators. For additional information on ICSF operator commands, see [z/OS Cryptographic Services ICSF System Programmer's Guide](#).

## Changing coprocessor or accelerator status

You can change the status of your cryptographic coprocessors and accelerators, either activating or deactivating them. From the “ICSF Primary Menu panel” on page 481, select option 1, COPROCESSOR MGMT, and the “CSFCMP00 – Coprocessor Management panel” on page 484 is displayed.

There are action characters that can be entered on the left of the PCI coprocessor or accelerator number.

### Character Indication

#### D

Makes a coprocessor or accelerator unavailable. The status becomes DEACTIVATED. When the request is made, the status of the coprocessor or accelerator may be anything except OFFLINE.

#### A

Makes available a coprocessor or accelerator previously deactivated by a 'D' action character.

For a coprocessor, if the coprocessor is online and the master keys are correct, the status will be ACTIVE when the request is made. If the master keys are incorrect, the state will be MasterKeys incorrect.

For an accelerator, the status will be ACTIVE when the request completes successfully.

**Note:** If your system is running ICSF FMID HCR77B1 or later, the SETICSF ACTivate and SETICSF DEACTivate operator commands can also be used to change the state of a cryptographic coprocessor or accelerator. For additional information on ICSF operator commands, see [z/OS Cryptographic Services ICSF System Programmer's Guide](#).

## Deactivating the last coprocessor

If there are no CCA cryptographic coprocessors or PKCS #11 coprocessors active, most callable services will fail and most TSO panel utilities will be unavailable. To prevent deactivating the last coprocessor by accident, this panel appears:

```
CSFCMP60 ----- ICSF Deactivate Last Coprocessor -----  
COMMAND ==>  
  
The coprocessor(s) selected would deactivate all active CCA  
coprocessors. Are you sure you wish to deactivate the last  
active CCA coprocessor?  
  
Press ENTER to confirm the deactivate request.  
Press END to cancel the deactivate request.
```

Figure 94. Coprocessor Management Panel

```

CSFCMP61 ----- ICSF Deactivate Last Coprocessor -----
COMMAND ==>

The coprocessor(s) selected would deactivate all active PKCS #11
coprocessors. Are you sure you wish to deactivate the last
active PKCS #11 coprocessor?

Press ENTER to confirm the deactivate request.
Press END to cancel the deactivate request.

```

Figure 95. Coprocessor Management Panel

## Displaying coprocessor hardware status

You can use the ICSF panels to view the status of the cryptographic coprocessor key registers, the master key verification patterns, and other information about the cryptographic hardware. You can use this information for master key management.

When you enter and activate an AES, DES, ECC or RSA master key, you change the status of the registers. The cryptographic facility contains three key registers: one for the old master key, one for the new, and one for the current. The current master key register contains the active master key. The old master key is not lost when a new master key is loaded.

**Note:** The master key verification and hash patterns are displayed as hexadecimal digit strings on the Hardware Status panel. The number of valid digits is determined by the MASTERKCVLEN options data set keyword. See [z/OS Cryptographic Services ICSF System Programmer's Guide](#) for additional information.

To display coprocessor hardware status:

1. From the Coprocessor Management panel, select the coprocessors to be processed by typing an 'S'.

```

CSFCMP00 ----- ICSF Coprocessor Management ----- Row 1 to 7 of 7
COMMAND ==>

Select the cryptographic features to be processed and press ENTER.
Action characters are: A, D, E, K, R, S, and V. See the help panel for details.

  CRYPTO   SERIAL   STATUS   AES DES ECC RSA P11
  FEATURE  NUMBER
  -----
. 4C00     16BA6173   Active   I  A  A  A
. 4C01     16BA6174   Master key incorrect I  A  C  E
. 4C02     16BA6175   Master key incorrect I  A  C  E
. 4A03     N/A        Active
. 4C04     16BA6199   Deactivated
. 4P05     16BA6200   Active
. 4P06     16BA6201   Master key incorrect
***** Bottom of data *****

```

Figure 96. Selecting the coprocessor on the Coprocessor Management Panel

2. Depending on the coprocessor type, one of two different Hardware Status panels appears. Panel CSFCMP40 is displayed for CCA coprocessors ([Figure 97 on page 249](#)). When more than two coprocessors are requested, the status display can be scrolled down to show the other coprocessors. You can scroll down using PFKey 8 and up using PFKey 7.

```

CSFCMP40 ----- ICSF - Coprocessor Hardware Status -----
OPTION ==>

                                CRYPTO DOMAIN: 8

REGISTER STATUS                  COPROCESSOR 6C32

Crypto Serial Number             : 99EA6055
Status                           : ACTIVE
PCI-HSM Compliance Mode         : 2016
Compliance Migration Mode       : INACTIVE
AES Master Key
  New Master Key register        : EMPTY
  Verification pattern           :
Old Master Key register          : VALID
  Verification pattern           : BF494FF74B86343F
Current Master Key register      : VALID
  Verification pattern           : 2058C870E9D3194F

DES Master Key
  New Master Key register        : EMPTY
  Verification pattern           :
  Hash pattern                   :
Old Master Key register          : VALID
  Verification pattern           : 1D08F1C67A1B709A
  Hash pattern                   : 2B0C723D1AB9C948
                                   : E9C9E32E7FF3B7F4
Current Master Key register      : VALID
  Verification pattern           : CA6B408A02371B1D
  Hash pattern                   : DF3A50AE35466123
                                   : 96EF557E8BD074C1

ECC Master Key
  New Master Key register        : EMPTY
  Verification pattern           :
Old Master Key register          : VALID
  Verification pattern           : 9999999999999999
Current Master Key register      : VALID
  Verification pattern           : 9999999999999999

RSA Master Key
  New Master Key register        : EMPTY
  Verification pattern           :
Old Master Key register          : VALID
  Verification pattern           : EF4C65754B5088C2
                                   : 2D03480BC7B952B2
Current Master Key register      : VALID
  Verification pattern           : E83F158521FEEA23
                                   : 986CC9483DAFD711

```

Figure 97. Coprocessor Hardware Status Panel

The coprocessor hardware status fields on this panel contain this information:

**CRYPTO DOMAIN**

This field displays the value that is specified for the DOMAIN keyword in the installation options data set at ICSF startup. This is the domain in which your system is currently working. It specifies which one of several separate sets of master key registers you can currently access. A system programmer can use the DOMAIN keyword in the installation options data set to specify the domain value to use at ICSF startup. For more information see the DOMAIN installation option.

**Crypto Serial Number**

The serial number is a number for the 'coprocessor.

**Status**

This field displays the status of the 'coprocessor.

**State Indication**

**ACTIVE**

All of the MKVPs in the CKDS, PKDS, and TKDS match the current master key registers. Requests for services can be routed to the coprocessor.

**PCI-HSM Compliance Mode**

Indicates the PCI-HSM compliance modes that the coprocessor is in. The value can be INACTIVE, "NOT SUPPORTED", or a supported compliance mode. Only CEX6Cs and above support compliance modes.

**Compliance Migration Mode**

Indicates whether the coprocessor is in compliance migration mode. The value can be ACTIVE, INACTIVE, or "NOT SUPPORTED". Only CEX6Cs and above support compliance migration mode.

**DES Master Key****New Master Key Register**

This field shows the state of the DES new master key register.

This key register can be in any of these states:

**State****Indication****EMPTY**

You have not entered any key parts for the initial master key, or you have just transferred the contents of this register into the master key register. Or you have RESET the registers. Or you have zeroized the domain from a TKE workstation or the Support Element.

**PART FULL**

You have entered one or more key parts but not the final key part.

**FULL**

You have entered an entire new master key, but have not transferred it to the master key register yet.

**Verification Pattern**

When you use the master key panels to enter a new master key, *record the verification pattern* that appears for the master key when the final key part has been entered. You can compare the verification pattern you record with this one to ensure that the key entered and the key in the new master key register are the same.

If your system is using multiple cryptographic coprocessors, you must enter the same master key into all units. If the status of the new master key registers are valid, the NMK verification patterns for each unit should match, because the patterns verify the same key.

**Hash Pattern**

If the master key register is not EMPTY, the panel displays a hash pattern for the key. When you enter a new master key, record the hash pattern that appears on the panel. When the master key becomes active, you can compare the hash patterns to ensure that the one you entered and set is in the master key register.

If your system is using multiple cryptographic coprocessors, you enter the same master key into all units. If the status of the new master key registers are valid, the master key register hash patterns for each unit should match, because the patterns verify the same key.

**Old Master Key register**

This field shows the states of the DES old master key register.

**State****Indication**

**EMPTY**

You have never changed the master key and, therefore, never transferred a master key to the old master key register. Or you have zeroized the domain from a TKE workstation or the Support Element.

**VALID**

You have changed the master key. The master key that was current when you changed the master key was placed in the old master key register.

**Verification Pattern**

When you use the master key panels to enter a new master key, *record the verification pattern* that appears for the master key when the final key part has been entered. You can compare the verification pattern you record with this one to ensure that the key entered and the key in the new master key register are the same.

If your system is using multiple cryptographic coprocessors, you must enter the same master key into all units. If the status of the new master key registers are valid, the DES-MK verification patterns for each unit should match, because the patterns verify the same key.

**Hash Pattern**

If the master key register is not EMPTY, the panel displays a hash pattern for the key. When you enter a new master key, record the hash pattern that appears on the panel. When the master key becomes active, you can compare the hash patterns to ensure that the one you entered and set is in the master key register.

If your system is using multiple cryptographic coprocessors, you enter the same master key into all units. If the status of the new master key registers are valid, the master key register hash patterns for each unit should match, because the patterns verify the same key.

**Current Master Key register**

This field shows the states of the DES master key register.

**State****Indication****EMPTY**

You have never entered and set an initial symmetric master key. Or you have zeroized the domain from a TKE workstation or the Support Element.

**VALID**

You have entered a new symmetric master key on this coprocessor and chosen either the set or change option.

**Verification Pattern**

When you use the master key panels to enter a new master key, *record the verification pattern* that appears for the master key when the final key part has been entered. You can compare the verification pattern you record with this one to ensure that the key entered and the key in the new master key register are the same.

If your system is using multiple cryptographic coprocessors, you must enter the same master key into all units. If the status of the new master key registers are valid, the NMK verification patterns for each unit should match, because the patterns verify the same key.

**Hash Pattern**

If the master key register is not EMPTY, the panel displays a hash pattern for the key. When you enter a new master key, record the hash pattern that appears on the panel. When the master key becomes active, you can compare the hash patterns to ensure that the one you entered and set is in the master key register.

If your system is using multiple cryptographic coprocessors, you enter the same master key into all units. If the status of the new master key registers are valid, the master key register hash patterns for each unit should match, because the patterns verify the same key.

**AES Master Key**

### **New Master Key Register**

This field shows the state of the new master key register.

This key register can be in any of these states:

#### **State Indication**

##### **EMPTY**

You have not entered any key parts for the initial master key, or you have just transferred the contents of this register into the master key register. Or you have RESET the registers. Or you have zeroized the domain from a TKE workstation or the Support Element.

##### **PART FULL**

You have entered one or more key parts but not the final key part.

##### **FULL**

You have entered an entire new master key, but have not transferred it to the master key register yet.

### **Verification Pattern**

When you use the master key panels to enter a new master key, *record the verification pattern* that appears for the master key when the final key part has been entered. You can compare the verification pattern you record with this one to ensure that the key entered and the key in the new master key register are the same.

If your system is using multiple cryptographic coprocessors, you must enter the same master key into all units. If the status of the new master key registers are valid, the NMK verification patterns for each unit should match, because the patterns verify the same key.

### **Old Master Key register**

This field shows the states of the AES old master key register.

#### **State Indication**

##### **EMPTY**

You have never changed the master key and, therefore, never transferred a master key to the old master key register. Or you have zeroized the domain from a TKE workstation or the Support Element.

##### **VALID**

You have changed the master key. The master key that was current when you changed the master key was placed in the old master key register.

### **Verification Pattern**

When you use the master key panels to enter a new master key, *record the verification pattern* that appears for the master key when the final key part has been entered. You can compare the verification pattern you record with this one to ensure that the key entered and the key in the new master key register are the same.

If your system is using multiple cryptographic coprocessors, you must enter the same master key into all units. If the status of the new master key registers are valid, the AES-MK verification patterns for each unit should match, because the patterns verify the same key.

### **Current Master Key register**

This field shows the states of the AES master key register.

#### **State Indication**

##### **EMPTY**

You have never entered and set an initial symmetric master key. Or you have zeroized the domain from a TKE workstation or the Support Element.

**VALID**

You have entered a new symmetric master key on this coprocessor and chosen either the set or change option.

**Verification Pattern**

When you use the master key panels to enter a new master key, *record the verification pattern* that appears for the master key when the final key part has been entered. You can compare the verification pattern you record with this one to ensure that the key entered and the key in the new master key register are the same.

If your system is using multiple cryptographic coprocessors, you must enter the same master key into all units. If the status of the new master key registers are valid, the NMK verification patterns for each unit should match, because the patterns verify the same key.

**ECC Master Key****New Master Key Register**

This field shows the state of the new master key register.

This key register can be in any of these states:

**State****Indication****EMPTY**

You have not entered any key parts for the initial master key, or you have just transferred the contents of this register into the master key register. Or you have RESET the registers. Or you have zeroized the domain from a TKE workstation or the Support Element.

**PART FULL**

You have entered one or more key parts but not the final key part.

**FULL**

You have entered an entire new master key, but have not transferred it to the master key register yet.

For the CEX2C or CEX3C, there can be an old, new and current master key.

**Verification Pattern**

When you use the master key panels to enter a new master key, *record the verification pattern* that appears for the master key when the final key part has been entered. You can compare the verification pattern you record with this one to ensure that the key entered and the key in the new master key register are the same.

If your system is using multiple cryptographic coprocessors, you must enter the same master key into all units. If the status of the new master key registers are valid, the NMK verification patterns for each unit should match, because the patterns verify the same key.

**Old Master Key register**

This field shows the states of the ECC old master key register.

**State****Indication****EMPTY**

You have never changed the master key and, therefore, never transferred a master key to the old master key register. Or you have zeroized the domain from a TKE workstation or the Support Element.

**VALID**

You have changed the master key. The master key that was current when you changed the master key was placed in the old master key register.

### **Verification Pattern**

When you use the master key panels to enter a new master key, *record the verification pattern* that appears for the master key when the final key part has been entered. You can compare the verification pattern you record with this one to ensure that the key entered and the key in the new master key register are the same.

If your system is using multiple cryptographic coprocessors, you must enter the same master key into all units. If the status of the new master key registers are valid, the ECC-MK verification patterns for each unit should match, because the patterns verify the same key.

### **Current Master Key register**

This field shows the states of the ECC master key register.

#### **State Indication**

##### **EMPTY**

You have never entered and set an initial symmetric master key. Or you have zeroized the domain from a TKE workstation or the Support Element.

##### **VALID**

You have entered a new symmetric master key on this coprocessor and chosen either the set or change option.

### **Verification Pattern**

When you use the master key panels to enter a new master key, *record the verification pattern* that appears for the master key when the final key part has been entered. You can compare the verification pattern you record with this one to ensure that the key entered and the key in the new master key register are the same.

If your system is using multiple cryptographic coprocessors, you must enter the same master key into all units. If the status of the new master key registers are valid, the NMK verification patterns for each unit should match, because the patterns verify the same key.

## **RSA Master Key**

### **New Master Key register**

This field shows the state of the RSA new master key register.

This key register can be in any of these states:

#### **State Indication**

##### **EMPTY**

You have not entered any key parts for the initial RSA master key, or you have just transferred the contents of this register into the RSA master key register. Or you have RESET the registers. Or you have zeroized the domain from a TKE workstation or the Support Element.

##### **PART FULL**

You have entered one or more key parts but not the final key part.

### **Verification Pattern**

If the master key register is not EMPTY, a verification pattern is displayed.

### **Old Master Key register**

This field shows the state of the RSA old master key register.

#### **State Indication**

##### **EMPTY**

You have never changed the RSA master key and, therefore, never transferred an RSA master key to the RSA old master key register. Or you have zeroized the domain from a TKE workstation or the Support Element.



**VALID**

You have changed the RSA master key. The RSA master key that was current when you changed the master key was placed in the RSA old master key register.

**Verification Pattern**

If the old asymmetric master key register is valid, the panel displays a verification pattern for the RSA old master key.

**Current Master Key register**

This field shows the states of the RSA master key register.

**State**

**Indication**

**EMPTY**

You have never entered an initial RSA master key on the coprocessor. Or you have zeroized the domain from a TKE workstation or the Support Element.

**VALID**

You have entered a new RSA master key on this coprocessor.

**Verification Pattern**

If the RSA master key registers are valid, the panel displays a verification pattern for the key. When you enter a new RSA master key, *record the verification pattern* that appears on the panel. When the RSA master key becomes active, you can compare the verification patterns to ensure that the one you entered and set is in the master key register.

The RSA master key must be the same on all the PCI X cards. If the status of all these cryptographic coprocessors is valid, the MK verification patterns for each unit should match, because the patterns verify the same key.

**Note:** An audit trail of the verification patterns that the CEX2C or CEX3C calculates appears in SMF record type 82.

Panel CSFCMP41 is displayed for Enterprise PKCS #11 coprocessor. Similar to panel CSFCMP40, except that there is only one master key type, the P11 master key, with two registers instead of three:

- The "New Master Key register" - valid states are EMPTY, FULL UNCOMMITTED, or FULL COMMITTED
- The "Current Master Key register" - valid states are EMPTY or VALID

```

CSFCMP41 ----- ICSF - PKCS #11 Coprocessor Hardware Status -----
OPTION ==>
REGISTER STATUS          COPROCESSOR 4P08          CRYPTO DOMAIN: 8
Crypto Serial Number     : 97006090
Status                   : ACTIVE
Compliance Mode          : FIPS: 2011
                        : BSI: 2009
P11 Master Key
  New Master Key register : EMPTY
  Verification pattern    :
                        :
  Current Master Key register : VALID
  Verification pattern    : 2058C870E9D3194F
                        : 4FE11A79AB122EB2

```

Figure 98. PKCS #11 Coprocessor Hardware Status Panel

**Note:** If your system is running ICSF FMID HCR77B1 or later, the DISPLAY ICSF,MKS operator command can also be used to display coprocessor hardware status. For additional information on ICSF operator commands, see [z/OS Cryptographic Services ICSF System Programmer's Guide](#).

## Displaying installation options

Installation options enable you to specify certain modes and conditions to ICSF. For example, if your installation specifies YES for the SSM option, you can enable special secure mode. You specify installation options in the installation options data set. The ICSF startup procedure, specifies the installation options data set to be used for that start of ICSF. The options become active, when you start ICSF. You can use the panels to view each installation option and its current value.

To display installation options:

1. Select option 3, OPSTAT, on the [“ICSF Primary Menu panel”](#) on page 481.

The Installation Options panel appears.

```
CSFSOP00 ----- ICSF - Installation Options -----  
COMMAND ==> 1  
  
Enter the number of the desired option above.  
  
 1  OPTIONS - Display Installation Options  
 2  EXITS  - Display Installation exits and exit options  
 3  SERVICES - Display Installation Defined Services
```

*Figure 99. Installation Options panel*

2. Select option 1, Options, on the Installation Options panel.

The Installation Option Display panel appears.

```

CSFSOP10 ----- ICSF - Installation Option Display -- Row 1 to 19 of 19
COMMAND ==>>> SCROLL ==>> PAGE
    Active CKDS: CRYPTOR2.HCRICSF.CKDS
    Active PKDS: CRYPTOR2.HCRICSF.PKDS
    Active TKDS: CRYPTOR2.HCRICSF.TKDS

OPTION                                CURRENT VALUE
-----                                -
AUDITKEYLIFECKDS Audit CCA symmetric key lifecycle events  TOKEN(Y),LABEL(Y)
AUDITKEYLIFEPKDS Audit CCA asymmetric key lifecycle events  TOKEN(Y),LABEL(Y)
AUDITKEYLIFETKDS Audit PKCS #11 key lifecycle events  TOKO(Y),SESSO(Y)
AUDITKEYUSGCKDS  Audit CCA symmetric key usage events  TOK(Y),LAB(Y),
INT(001/00.00.00)

AUDITKEYUSGPKDS Audit CCA asymmetric key usage events  TOK(Y),LAB(Y),
INT(001/00.00.00)

AUDITPKCS11USG  Audit PKCS #11 usage events  TOKO(Y),SESSO(Y),
NOKEY(Y),
INT(001/00.00.00)

CHECKAUTH       RACF check authorized callers  YES
CICSAUDIT       Audit CICS client identity  YES
COMPAT          Allow CUSP/PCF compatibility  NO
COMPLIANCEWARN  Compliance Warn mode for PCI-HSM 2016  YES
CTRACE          CTRACE parmlib used at ICSF startup  CTICSF00
DEFAULTWRAP     Default symmetric key wrapping - internal  ORIGINAL
DEFAULTWRAP     Default symmetric key wrapping - external  ORIGINAL
DOMAIN          Current domain index or usage domain index  0
FIPSMODE        Operate PKCS #11 in FIPS 140-2 mode  NO,FAIL(NO)
KDSREFDAYS      Number of days between reference updates  1
KEYARCHMSG      Message for archived KDS record reference  NO
MASTERKCVLEN   Length of master key verification patterns  6
MAXSESSOBJECTS  Max non-auth pgm PKCS #11 session objects  65535
REASONCODES     Source of callable services reason codes  ICSF
RNGCACHE        Random Number Generate cache enabled  YES
SERVICELIBS     Load ICSF using Service Data Sets  YES
SERVSCSFMOD0    Data Set for Dynamic Service Update  SPECIFIED
SERVSIEALNKE    Data Set for Dynamic Service Update  SPECIFIED
SSM             Special Secure Mode enabled  NO
STATS           Crypto Usage Statistics  ENG,SRV,ALG
STATSFILTERS    Crypto Usage Statistics Filters  NOTKUSERID(Y)
SYSPLEXCKDS     Sysplex consistency for CKDS updates  YES,FAIL(YES)
SYSPLEXPKDS     Sysplex consistency for PKDS updates  YES,FAIL(YES)
SYSPLEXTKDS     Sysplex consistency for TKDS updates  YES,FAIL(YES)
USERPARM        User specified parameter data  USERPARM
WAITLIST        Source of CICS Wait List if CICS installed default

***** Bottom of data *****

```

The Installation Options panel displays the keyword for each installation option, a brief description, and the current value of the option.

**Note:** The REMOTEDEVICE installation options (if specified) are not displayed on this panel. The DISPLAY ICSF operator's console must be used to see the list of remote devices defined. For more information, see the DISPLAY ICSF command in *z/OS Cryptographic Services ICSF System Programmer's Guide*.

You may want to change the current value of an installation option. To change and activate an installation option, you must change the option value in the installation options data set and restart ICSF. A subset of option parameters in the installation options data set are refreshable starting with ICSF FMID HCR77C0. See the SETICSF command or ICSF Multi-Purpose Service (CSFMPS and CSFMPS6) for details. For integrity reasons, a change of the DOMAIN option also requires a re-IPL of MVS. For a complete description of these installation options and the installation options data set, see *z/OS Cryptographic Services ICSF System Programmer's Guide*.

The installation options data set that the system uses at ICSF startup contains keywords and their values which specify certain installation options. On this panel, you can view these options and their values:

**Active CKDS: (data-set-name)**

This specifies the name of the CKDS that ICSF is currently using. During startup, ICSF uses the CKDSN option, but this may be changed by re-enciphering or refreshing the CKDS.

**Active PKDS: (data-set-name)**

This specifies the name of the PKDS that ICSF is currently using. During startup, ICSF uses the PKDSN option, but this may be changed by re-enciphering or refreshing the PKDS.

**Active TKDS: (data-set-name)**

This specifies the name of the TKDS that ICSF is currently using. During startup, ICSF uses the TKDSN option, but this may be changed by re-enciphering TKDS.

**AUDITKEYLIFECKDS(TOKEN(YES or NO),LABEL(YES or NO))**

Provides a set of options that control auditing of events related to the lifecycle of symmetric CCA tokens. The audit logs are in the form of Type 82 SMF records.

**TOKEN(YES or NO)**

Controls lifecycle auditing of CKDS tokens.

**Value**

Indication

**YES**

Indicates ICSF should audit lifecycle events related to CKDS tokens. An SMF type 82 subtype 40 record is logged for each event.

**NO**

No lifecycle auditing of CKDS tokens occurs.

**LABEL(YES or NO)**

Controls lifecycle auditing of CKDS labels.

**Value**

Indication

**YES**

Indicates ICSF should audit lifecycle events related to CKDS labels. An SMF type 82 subtype 40 record is logged for each event. The subtype 40 record replaces the subtype 9 record.

**NO**

No lifecycle auditing of CKDS labels occurs. ICSF continues to log an SMF type 82 subtype 9 record for CKDS updates.

If the AUDITKEYLIFECKDS option is not specified, the default is AUDITKEYLIFECKDS (TOKEN(NO),LABEL(NO)).

**Note:**

1. An event that involves a token is considered to be any request that uses a token as opposed to a label. This is true regardless of Key Store Policy enablement.
2. If auditing of CKDS labels is enabled, the Key Generator Utility Program (KGUP) needs access to the CSFGKF profile in the CSFSERV class in order to generate the key fingerprint for keys it processes.

For more information about the events that are audited as well as the information contained in the audit record, see Appendix B in *z/OS Cryptographic Services ICSF System Programmer's Guide* for the description for the subtype 40 record.

The auditing of key lifecycle events can also be controlled via the SETICSF operator command. See the description of the SETICSF command in *z/OS Cryptographic Services ICSF System Programmer's Guide* for more information.

**AUDITKEYLIFECPKDS(TOKEN(YES or NO),LABEL(YES or NO))**

Provides a set of options that control auditing of events related to the lifecycle of asymmetric CCA tokens. The audit logs are in the form of Type 82 SMF records.

**TOKEN(YES or NO)**

Controls lifecycle auditing of PKDS tokens.

**Value**

Indication

**YES**

Indicates ICSF should audit lifecycle events related to PKDS tokens. An SMF type 82 subtype 41 record is logged for each event.

**NO**

No lifecycle auditing of PKDS tokens occurs.

**LABEL(YES or NO)**

Controls lifecycle auditing of PKDS labels.

**Value**

Indication

**YES**

Indicates ICSF should audit lifecycle events related to PKDS labels. An SMF type 82 subtype 41 record is logged for each event. The subtype 41 record replaces the subtype 13 record.

**NO**

No lifecycle auditing of PKDS labels occurs. ICSF continues to log an SMF type 82 subtype 13 record for PKDS updates.

If the AUDITKEYLIFEPKDS option is not specified, the default is AUDITKEYLIFEPKDS (TOKEN(NO),LABEL(NO)).

**Note:** An event that involves a token is considered to be any request that uses a token as opposed to a label. This is true regardless of Key Store Policy enablement.

For more information about the events that are audited as well as the information contained in the audit record, see Appendix B in *z/OS Cryptographic Services ICSF System Programmer's Guide* for the description for the subtype 41 record.

The auditing of key lifecycle events can also be controlled via the SETICSF operator command. See the description of the SETICSF command in *z/OS Cryptographic Services ICSF System Programmer's Guide* for more information.

**AUDITKEYLIFETKDS(TOKENOBJ(YES or NO),SESSIONOBJ(YES or NO))**

Provides a set of options that control auditing of events related to the lifecycle of PKCS #11 objects. The audit logs are in the form of Type 82 SMF records.

**TOKENOBJ(YES or NO)**

Controls lifecycle auditing of PKCS #11 token objects.

**Value**

Indication

**YES**

Indicates ICSF should audit lifecycle events related to PKCS #11 token objects. An SMF type 82 subtype 42 record is logged for each event. The subtype 42 record replaces the subtype 23 record.

**NO**

No lifecycle auditing of PKCS #11 token objects occurs. ICSF continues to log an SMF type 82 subtype 23 record for TKDS updates.

**SESSIONOBJ(YES or NO)**

Controls lifecycle auditing of PKCS #11 session objects.

**Value**

Indication

**YES**

Indicates ICSF should audit lifecycle events related to PKCS #11 session objects. An SMF type 82 subtype 42 record is logged for each event.

**NO**

No lifecycle auditing of PKCS #11 session objects occurs.

If the AUDITKEYLIFETKDS option is not specified, the default is AUDITKEYLIFETKDS (TOKENOBJ(NO),SESSIONOBJ(NO)).

For more information about the events that are audited as well as the information contained in the audit record, see Appendix B in *z/OS Cryptographic Services ICSF System Programmer's Guide* for the description for the subtype 42 record.

The auditing of key lifecycle events can also be controlled via the SETICSF operator command. See the description of the SETICSF command in [z/OS Cryptographic Services ICSF System Programmer's Guide](#) for more information.

### **AUDITKEYUSGCKDS(TOKEN(YES or NO),LABEL(YES or NO),INTERVAL(n))**

Provides a set of options that control auditing of events related to the usage of symmetric CCA tokens. The audit logs are in the form of Type 82 SMF records.

#### **TOKEN(YES or NO)**

Controls usage auditing of CKDS tokens.

##### **Value**

Indication

##### **YES**

Indicates ICSF should audit usage events related to CKDS tokens. An SMF type 82 subtype 44 record is logged for each event.

##### **NO**

No usage auditing of CKDS tokens occurs.

#### **LABEL(YES or NO)**

Controls usage auditing of CKDS labels.

##### **Value**

Indication

##### **YES**

Indicates ICSF should audit usage events related to CKDS labels. An SMF type 82 subtype 44 record is logged for each event.

##### **NO**

No usage auditing of CKDS labels occurs.

#### **INTERVAL(n)**

Defines the time interval over which the audit records are aggregated. Specify *n* as a decimal value in hours from 1 through 24. Individual usages with the same user, service, and key are aggregated over the interval into a single SMF record with a usage count. For performance reasons, ICSF may temporarily reduce the length of an interval from what was specified.

If the AUDITKEYUSGCKDS option is not specified, the default is AUDITKEYUSGCKDS(TOKEN(NO),LABEL(NO),INTERVAL(24)).

**Note:** An event that involves a token is considered to be any request that uses a token as opposed to a label. This is true regardless of Key Store Policy enablement.

For more information about the information contained in the audit record, see Appendix B in [z/OS Cryptographic Services ICSF System Programmer's Guide](#) for the description for the subtype 44 record.

The auditing of key usage events can also be controlled via the SETICSF operator command. See the description of the SETICSF command in [z/OS Cryptographic Services ICSF System Programmer's Guide](#) for more information.

### **AUDITKEYUSGPKDS(TOKEN(YES or NO),LABEL(YES or NO),INTERVAL(n))**

Provides a set of options that control auditing of events related to the usage of asymmetric CCA tokens. The audit logs are in the form of Type 82 SMF records.

#### **TOKEN(YES or NO)**

Controls usage auditing of PKDS tokens.

##### **Value**

Indication

##### **YES**

Indicates ICSF should audit usage events related to PKDS tokens. An SMF type 82 subtype 45 record is logged for each event.

##### **NO**

No usage auditing of PKDS tokens occurs.

**LABEL(YES or NO)**

Controls usage auditing of PKDS labels.

**Value**

Indication

**YES**

Indicates ICSF should audit usage events related to PKDS labels. An SMF type 82 subtype 45 record is logged for each event.

**NO**

No usage auditing of PKDS labels occurs.

**INTERVAL(n)**

Defines the time interval over which the audit records are aggregated. Specify *n* as a decimal value in hours from 1 through 24. Individual usages with the same user, service, and key are aggregated over the interval into a single SMF record with a usage count. For performance reasons, ICSF may temporarily reduce the length of an interval from what was specified.

If the AUDITKEYUSGPKDS option is not specified, the default is AUDITKEYUSGPKDS(TOKEN(NO),LABEL(NO),INTERVAL(24)).

**Note:** An event that involves a token is considered to be any request that uses a token as opposed to a label. This is true regardless of Key Store Policy enablement.

For more information about the information contained in the audit record, see Appendix B in *z/OS Cryptographic Services ICSF System Programmer's Guide* for the description for the subtype 45 record.

The auditing of key usage events can also be controlled via the SETICSF operator command. See the description of the SETICSF command in *z/OS Cryptographic Services ICSF System Programmer's Guide* for more information.

**AUDITPKCS11USG(TOKENOBJ(YES or NO),SESSIONOBJ(YES or NO),NOKEY(YES or NO),INTERVAL(n))**

Provides a set of options that control auditing of usage events related to PKCS #11 services. The audit logs are in the form of Type 82 SMF records.

**TOKEN(YES or NO)**

Controls usage auditing of PKCS #11 token objects.

**Value**

Indication

**YES**

Indicates ICSF should audit usage events related to PKCS #11 token objects. An SMF type 82 subtype 46 record is logged for each event.

**NO**

No usage auditing of PKCS #11 token objects occurs.

**SESSIONOBJ(YES or NO)**

Controls usage auditing of PKCS #11 session objects.

**Value**

Indication

**YES**

Indicates ICSF should audit usage events related to PKCS #11 session objects. An SMF type 82 subtype 46 record is logged for each event.

**NO**

No usage auditing of PKCS #11 session objects occurs.

**NOKEY(YES or NO)**

Controls usage auditing of PKCS #11 services that do not involve an object.

**Value**

Indication

**YES**

Indicates ICSF should audit relevant usages that do not pertain to a PKCS #11 object. Relevant usages include use of the PKCS #11 One-way hash, sign, or verify (CSFPFRF) and PKCS #11 Pseudo-random function (CSFPOWH) services. An SMF type 82 subtype 47 record is logged for each event.

**NO**

No usage auditing of PKCS #11 services that do not involve an object occurs.

**INTERVAL(n)**

Defines the time interval over which the audit records are aggregated. Specify *n* as a decimal value in hours from 1 through 24. Individual usages with the same user, service, and key are aggregated over the interval into a single SMF record with a usage count. For performance reasons, ICSF may temporarily reduce the length of an interval from what was specified.

If the AUDITPKCS11USG option is not specified, the default is AUDITPKCS11USG(TOKENOBJ(NO),SESSIONOBJ(NO),NOKEY(NO), INTERVAL(24)).

For more information about the information contained in the audit record, see Appendix B in [z/OS Cryptographic Services ICSF System Programmer's Guide](#) for the description for the subtypes 46 and 47 records.

The auditing of key usage events can also be controlled via the SETICSF operator command. See the description of the SETICSF command in [z/OS Cryptographic Services ICSF System Programmer's Guide](#) for more information.

**CHECKAUTH(YES or NO)**

Indicates whether ICSF performs access control checking of Supervisor State and System Key callers. If you specify CHECKAUTH(YES), ICSF issues RACROUTE calls to perform the security access control checking and the results are logged in RACF SMF records. If you specify CHECKAUTH(NO), the authorization checks against resources in the CSFSERV, the CSFKEYS, and the XCSFKEY classes are not performed resulting in a significant performance enhancement for supervisor state and system key callers. However, the authorization checks are not logged in the RACF SMF records. If you do not specify the CHECKAUTH option, the default is CHECKAUTH(NO).

**CICSAUDIT(YES OR NO)**

Indicates whether CICSAUDIT is turned on. The default is CICSAUDIT(NO). If you specify CICSAUDIT(YES), when a CICS transaction calls an ICSF service, ICSF subsequently calls a CICS service to obtain the client identity information. This information is then constructed into a log string, which is passed to the security product.

**COMPAT(YES, NO, or COEXIST)**

Indicates whether ICSF is running in compatibility mode, noncompatibility mode, or coexistence mode with the Programmed Cryptographic Facility (PCF). If you do not specify the COMPAT option, the default value is COMPAT(NO).

**Value****Indication****YES**

ICSF is running in compatibility mode, which means you can run CUSP and PCF applications on ICSF because ICSF supports the CUSP and PCF macros in this mode. You do not have to reassemble CUSP and PCF applications to do this. However, you cannot start CUSP or PCF at the same time as ICSF on the same MVS system.

**NO**

ICSF is running in noncompatibility mode, which means that you run PCF applications on PCF and ICSF applications on ICSF. You cannot run PCF applications on ICSF because ICSF does not support the PCF macros in this mode. You can start PCF at the same time as ICSF on the same z/OS operating system. You can start ICSF and then start PCF or you can start PCF and then start ICSF. You should use noncompatibility mode unless you are migrating from PCF to ICSF.

**COEXIST**

ICSF is running in coexistence mode. In this mode you can run a PCF application on PCF, or you can reassemble the PCF application to run on ICSF. To do this, you reassemble the application



against coexistence macros that are shipped with ICSF. In this mode, you can start PCF at the same time as ICSF on the same MVS system.

### **COMPLIANCEWARN(PCIHSM2016(YES or NO or SAF))**

Indicates whether ICSF should generate compliance warning events for a compliance mode. Compliance warning events can be used to help migrate an application to a given compliance mode. Compliance warning events are written in the form of SMF type 82 subtype 48 records. If you do not specify the COMPLIANCEWARN option, the default is NO for all compliance modes.

#### **PCIHSM2016(YES or NO or SAF)**

Controls warning events for the PCI-HSM 2016 compliance mode. If you do not specify the PCIHSM2016 option, the default is NO.

##### **Value**

##### **Indication**

##### **YES**

Generate compliance warning events for all applications.

##### **NO**

No compliance warning events are generated.

##### **SAF**

Generate compliance warning events for applications which have READ access to the CSF.COMPLIANCEWARN.PCIHSM2016 profile in the XFACILIT SAF class.

For more information about the information contained in the SMF record, see Appendix B in z/OS Cryptographic Services ICSF System Programmer's Guide for the description of the subtype 48 record.

A compliance warning event is only written when a DES key is used in a callable service. See Chapter 3 Migration in z/OS Cryptographic Services ICSF System Programmer's Guide for more information on how you can use compliance warning events to help migrate an application.

The generation of compliance warning events can also be controlled with the SETICSF,OPT REFRESH operator command. For more information, see the description of the SETICSF command in z/OS Cryptographic Services ICSF System Programmer's Guide.

### **CTRACE(CTICSFxx)**

Specifies the CTICSFxx ICSF CTRACE configuration data set to use from PARMLIB. CTICSF00 is the default ICSF CTRACE configuration data set that is installed with ICSF FMID HCR77A1 and later releases. CTICSF00 may be copied to create new PARMLIB members using the naming convention of CTICSFxx, where xx is a unique value specified by the user.

This parameter is optional. During ICSF startup, if this parameter is not specified, or if it is specified with a PARMLIB member that is absent or contains an incorrect option, ICSF CTRACE will attempt to use the default CTICSF00 PARMLIB member. If the CTICSF00 PARMLIB member is absent or contains an incorrect option, ICSF CTRACE will perform tracing using an internal default set of trace options. By default, ICSF CTRACE support will trace with the KdsIO, CardIO, and SysCall filters using a 2M buffer.

The operator console TRACE CT command may be used to dynamically change ICSF CTRACE options from a new PARMLIB member or directly from options specified on the command. If the TRACE CT command is used to specify a PARMLIB member that is either absent or contains incorrect options, ICSF CTRACE will ignore it and continue to use the current active options. If an incorrect option is specified directly with the TRACE CT command, ICSF CTRACE will ignore it as well and continue to use the current active options.

The Installation Options panel will display the current active PARMLIB member for CTRACE. If the TRACE CT command is used to update the CTRACE options, a value of "TRACE CT" will be displayed on the panel to indicate that the operator console TRACE CT command was used to modify the CTRACE options. Use the operator console DISPLAY TRACE,COMP=CSF command to display the current active CTRACE options.

**Note:** If the default CTICSF00 PARMLIB member has been deleted from the system and ICSF attempts to use it, ICSF CTRACE will perform tracing using an internal default set of trace options (KdsIO, CardIO, and SysCall filters using a 2M buffer). In this situation, if the operator console DISPLAY TRACE,COMP=CSF command is used to display the current active CTRACE options, a value of Minimum will be displayed.

**DEFAULTWRAP(internal\_wrapping\_method,external\_wrapping\_method)**

Specifies the default key wrapping for DES keys. Any token generated or updated by a service will be wrapped using the specified method unless overridden by rule array keyword or a skeleton token. The default wrapping method for internal and external tokens is specified independently.

Valid values for *internal\_wrapping\_method* and *external\_wrapping\_method* are:

**ORIGINAL**

Specifies the original CCA token wrapping be used: ECB wrapping for DES.

**ENHANCED**

Specifies the new X9.24 compliant CBC wrapping used. Note that the enhanced wrapping method requires an IBM zEnterprise 196 with a CEX3C.

**DOMAIN(n)**

Allows you to access one of the set of master key registers in the CCA and EP11 coprocessors. Each CCA domain contains AES, DES, ECC, and RSA master keys depending on the coprocessor licensed internal code level. Each EP11 domain contains the EP11 master key.

You can use domains to have separate master keys for different purposes.

You can use domains in basic mode or with PR/SM logical partition (LPAR) mode. In basic mode, you access only one domain at a time. You can specify a different master key in each domain. For example, you might have one master key for production operations and a different master key for test operations. In LPAR mode, you can have a different domain for each partition. The number you specify is the number of the domain to be used for this start of ICSF.

The DOMAIN parameter is an optional parameter in the installation options data set. It is required if more than one domain is specified as the usage domain on the PR/SM panels or if running in native mode. If you assign multiple domains to an LPAR, you can have separate master keys for different purposes.

You use the Crypto page of the Customize Activation Profile to assign a usage domain index to a logical partition and enable cryptographic functions. The DOMAIN number you specify in the installation options data set while running in a partition must be the same number as the usage domain index specified for the partition on the Crypto page.

To change and activate the other installation options, you must restart ICSF. In compatibility or coexistence mode, to change and activate the DOMAIN option, you must also re-IPL MVS. A re-IPL ensures that a program does not use a key that has been encrypted under a different master key to access a cryptographic service.

**FIPSMODE(YES or COMPAT or NO,FAIL(fail-option))**

Indicates whether z/OS PKCS #11 services must run in compliance with the Federal Information Processing Standard Security Requirements for Cryptographic Modules, referred to as FIPS 140-2. FIPS 140-2, published by the National Institute of Standards and Technology (NIST), is a standard that defines rules and restrictions for how cryptographic modules should protect sensitive or valuable information. The default is FIPSMODE(NO,FAIL(NO)).

By configuring z/OS PKCS #11 services to operate in compliance with FIPS 140-2 specifications, installations or individual applications can use the z/OS PKCS #11 services in a way that allows only the cryptographic algorithms (including key sizes) approved by the standard, and restricts access to the algorithms that are not approved. For more information, refer to [z/OS Cryptographic Services ICSF Writing PKCS #11 Applications](#).

**KDSREFDAYS**

Specifies, in days, how often a record should be written for a reference date/time change. A key is referenced when it is used to perform a cryptographic operation or read, such that the retrieved token

may have been used in a cryptographic operation. If a key is referenced ICSF will check the date and time the key was referenced previous to the current reference. If the number of days between the current date and time and the date and time the key was last referenced is greater than or equal to the number of days specified in the KDSREFDAYS installation option then the key reference date/time in the KDS will be updated to the current date and time. Otherwise the reference date/time will remain the same. Note, in this context days are 24 hour periods not necessarily beginning or ending at midnight.

Example: If KDSREFDAYS(7) was specified and a key was referenced on Monday, January 1st at 8 AM, and the reference date/time for the key was updated at that time, then any key reference before Monday, January 8th at 8 AM (7 days) will not update the reference date/time in the key record. If the key is referenced again at 7:50 AM on Monday, January 8th, the reference date/time for the key in the KDS will remain January 1st at 8 AM because fewer than seven days have passed. The reference date/time will not be updated until the next time the key is used again Monday, January 8th at 8 AM or after.

KDSREFDAYS applies to all KDS that are in the format that supports key reference tracking. In an environment of mixed KDS formats, where some support reference date tracking and some do not (for example, the CKDS supports reference date tracking, but the PKDS does not) key references will not be tracked for keys in a KDS does not support it, regardless on the value of KDSREFDAYS, until that KDS is updated to the new format. In a SYSPLEX, all systems must be started with the same value of KDSREFDAYS to ensure proper tracking of reference date/times.

KDSREFDAYS(0) means that ICSF will not keep track of key reference dates. The default is KDSREFDAYS(1). The maximum value allowed is KDSREFDAYS(30).

**Note:** Updates to records using the Key Generator Utility Program (KGUP) are not subject to the value specified in the KDSREFDAYS option. All updates made via KGUP will update the reference date/time if the CKDS is in a format that supports reference date tracking (KDSR).

#### **KEYARCHMSG(YES or NO)**

Controls whether a joblog message is issued when an application successfully references a key data set record that has been archived. The message is only issued for the first successful reference of a record. The results of the service request is not affected by this control. The default is NO.

##### **Value**

##### **Indication**

##### **YES**

ICSF issues a message the first time an archived record is referenced by an application.

##### **NO**

ICSF does not issue a message when an archived record is referenced by an application.

#### **MASTERKCVLEN(n)**

Specifies the length of the master key verification patterns.

**Note:** If your system is running ICSF FMID HCR77B1 or later, the DISPLAY ICSF,OPT operator command can also be used to display the value of this option. The SETICSF OPT,MKCVLEN operation command can be used to set the value of this option. For additional information on ICSF operator commands, see *z/OS Cryptographic Services ICSF System Programmer's Guide*.

#### **MAXSESSOBJECTS(n)**

Defines the maximum number of PKCS #11 session objects and states an unauthorized (problem state, non-system key) application may own at any one time. Specify n as a decimal value from 1024 through 2147483647. If you do not specify the MAXSESSOBJECTS option, the default value is MAXSESSOBJECTS(65535).

#### **REASONCODES(ICSF or TSS)**

Specifies which set of reason codes the application interface returns.

##### **Value**

##### **Indication**

**ICSF**

ICSF reason codes are returned.

**TSS**

Reason codes used by the IBM 4765 PCIe, IBM 4767 PCIe, and IBM 4764 PCI-X Cryptographic Coprocessors are returned.

ICSF is the default.

**RNGCACHE(YES or NO)**

Indicates whether ICSF should maintain a cache of random numbers to be used by services that require them. When YES is specified for this option, a noticeable performance improvement may be realized by workloads requesting a significant amount of random data.

If you do not specify the RNGCACHE option, the default value is RNGCACHE(YES).

**Value****Indication****YES**

ICSF maintains a random number cache.

**NO**

ICSF does not maintain a random number cache.

**SERVICELIBS(YES or NO)**

Indicates whether ICSF will be loaded using service data sets.

**YES**

Specifies that ICSF will be loaded using service data sets.

**NO**

Specifies that ICSF will not be loaded using service data sets and parameters SERVSCSFMOD0 and SERVSIEALNKE are ignored.

If the SERVICELIBS option is not specified, the default is SERVICELIBS(NO).

For more information about utilizing service libraries, see 'Dynamic service update' in [z/OS Cryptographic Services ICSF System Programmer's Guide](#).

**SERVSCSFMOD0(dsn[,volser])**

Specifies the name of the service data set to be used in a dynamic service update for SCSFMOD0. *volser* is optional. Must be specified in conjunction with SERVICELIBS(YES).

***dsn***

The data set name of the service data set.

***volser***

The volume of the service data set.

If the SERVSCSFMOD0 option is not specified, ICSF is initialized using LNKLIST.

**SERVSIEALNKE(dsn[,volser])**

Specifies the name of the service data set to be used in a dynamic service update for SIEALNKE. *volser* is optional. Must be specified in conjunction with SERVICELIBS(YES).

***dsn***

The data set name of the service data set.

***volser***

The volume of the service data set.

If the SERVSIEALNKE option is not specified, ICSF is initialized using LNKLIST.

Example:

```
SERVICELIBS(YES)
SERVSCSFMOD0(CSF.SCSFMOD0,VOL177)
SERVSIEALNKE(SYS1.SIEALNKE,CSFDR1)
```

**SSM(YES or NO)**

Indicates whether special secure mode is enabled. This mode lowers the security of your system. It allows you to input clear keys by using KGUP, produce clear PINs, and use the Secure Key Import callable services. If you do not specify the SSM option, the default value is SSM(NO).

**Value  
Indication****YES**

Special secure mode is enabled. SSM(YES) must be specified in order to use KGUP, Secure Key Import callable services, and Clear PIN Generate callable service.

**NO**

Special secure mode is disabled.

The SSM option can be changed from NO to YES while ICSF is running by defining the CSF.SSM.ENABLE SAF profile within the XFACILIT resource class. To revert to your startup option, delete the CSF.SSM.ENABLE profile. The XFACILIT class must be refreshed after each change for it to take effect.

**Note:** When using the SAF profiles to set the SSM, all ICSF instances sharing the SAF profile will be affected.

**STATS(value1[,...,value3])**

Enables usage tracking for various cryptographic statistics. Keywords can be combined to track multiple statistics.

**ENG**

Enables usage tracking of cryptographic engines. Supports Crypto Express adapters, regional cryptographic servers, CPACF, and software.

**SRV**

Enables usage tracking of cryptographic services. Supports ICSF callable services and UDXes only.

**ALG**

Enables usage tracking of cryptographic algorithms. Supports cryptographic algorithms that are referenced in cryptographic operations. Limited support for key generation, key derivation, and key import.

For more information on the cryptographic utilization statistics monitoring, see [Chapter 6, “Monitoring users and jobs that perform cryptographic operations,”](#) on page 85.

**STATSFILTERS(value)**

Filters the criteria that is used to aggregate crypto usage statistics when STATS is enabled. Excluding this option means that ICSF uses all available criteria (that is, HOME job id, HOME job name, SECONDARY job name, HOME user id, task level user id, and ASID) to aggregate the crypto usage statistics.

**NOTKUSERID**

Excludes the task level user id from the stats aggregation criteria. Enable this option in environments that have a high volume of operations that are running under task level user ids. This option reduces the number of SMF records written.

For more information on the cryptographic utilization statistics monitoring, see [Chapter 6, “Monitoring users and jobs that perform cryptographic operations,”](#) on page 85.

**SYSPLEXCKDS(YES or NO,FAIL(fail-option))**

Displays the current value of the SYSPLEXCKDS option. The values of the option can be YES or NO, with the default being NO. If SYSPLEXCKDS(NO,FAIL(fail-option)) is specified, no XCF signalling will be performed when an update to a CKDS record occurs. If SYSPLEXCKDS(YES,FAIL(fail-option)) is specified, the support described in [“CKDS management in a sysplex”](#) on page 158 will occur.

The fail-option can be specified as either YES or NO. If FAIL(YES) is specified then ICSF initialization will end abnormally if the request during ICSF initialization to join the ICSF sysplex group fails. If FAIL(NO) is specified, then ICSF initialization processing will continue even if the request to join the

ICSF sysplex group fails. This system will not be notified of updates to the CKDS by other members of the ICSF sysplex group. The default is SYSPLEXCKDS(NO,FAIL(NO)).

#### **SYSPLEXPKDS(YES or NO,FAIL(fail-option))**

Displays the current value of the SYSPLEXPKDS option. The values of the option can be YES or NO, with the default being NO. If SYSPLEXPKDS(NO,FAIL(fail-option)) is specified, no XCF signalling will be performed when an update to a PKDS record occurs. If SYSPLEXPKDS(YES,FAIL(fail-option)) is specified, the support described in [“PKDS management in a sysplex” on page 161](#) will occur.

The fail-option can be specified as either YES or NO. If FAIL(YES) is specified then ICSF initialization will end abnormally if the request during ICSF initialization to join the ICSF sysplex group fails. If FAIL(NO) is specified, then ICSF initialization processing will continue even if the request to join the ICSF sysplex group fails. This system will not be notified of updates to the PKDS by other members of the ICSF sysplex group. The default is SYSPLEXPKDS(NO,FAIL(NO)).

#### **SYSPLEXTKDS(YES or NO,FAIL(fail-option))**

Displays the current value of the SYSPLEXTKDS option. The values of the option can be YES or NO, with the default being NO. If SYSPLEXTKDS(NO,FAIL(fail-option)) is specified, no XCF signalling will be performed when an update to a TKDS record occurs. If SYSPLEXTKDS(YES,FAIL(fail-option)) is specified, the support described in [“TKDS management in a sysplex” on page 164](#) will occur.

The fail-option can be specified as either YES or NO. If FAIL(YES) is specified then ICSF initialization will end abnormally if the request during ICSF initialization to join the ICSF sysplex group fails. If FAIL(NO) is specified, then ICSF initialization processing will continue even if the request to join the ICSF sysplex group fails. This system will not be notified of updates to the TKDS by other members of the ICSF sysplex group. The default is SYSPLEXTKDS(NO,FAIL(NO)).

#### **USERPARM(value)**

Displays the value of an 8-byte field that is defined for installation use. ICSF stores this value in the CCVT\_USERPARM field of the Cryptographic Communication Vector Table (CCVT). An application program or installation exit can examine this field and use it to set system environment information.

#### **WAITLIST(value)**

Displays the current value of the WAITLIST option. If WAITLIST is coded, the value will be "dataset" and a second line will contain the name of the specified Wait List data set. If WAITLIST is not coded, the value will be "default". If the data set specified by the WAITLIST option cannot be allocated or opened, the value will also be "default".

For more information about the ICSF startup procedure and installation options, see [z/OS Cryptographic Services ICSF System Programmer's Guide](#). At any time while you are running ICSF, you can check the current value of these installation options.

The installation exits and installation-defined callable services are also specified in the installation options data set, but they are not displayed on this panel. For a description of how to display the installation exit information, see [“Displaying installation exits” on page 280](#). For a description of how to display installation-defined callable service information, see [“Displaying installation-defined callable services” on page 282](#).

**Note:** If your system is running ICSF FMID HCR77B1 or later, the DISPLAY ICSF,OPTIONS operator command can also be used to display a subset of ICSF options. For additional information on ICSF operator commands, see [z/OS Cryptographic Services ICSF System Programmer's Guide](#).

## **Display CCA domain roles**

---

Use the ICSF panels to display the coprocessor role for the coprocessor. All the access control points enabled will be listed.

1. Select option 1, COPROCESSOR MGMT, on the “[ICSF Primary Menu panel](#)” on page 481.
2. The Coprocessor Management panel appears. Refer to [Figure 100](#) on page 269.

```

CSFCMP00 ----- ICSF Coprocessor Management ----- Row 1 to 7 of 7
COMMAND ===>

Select the cryptographic features to be processed and press ENTER.
Action characters are: A, D, E, K, R, S, and V. See the help panel for details.

  CRYPTO          SERIAL          STATUS          AES DES ECC RSA P11
  FEATURE          NUMBER          -----
. 4C00            16BA6173          Active          I  A  A  A
. 4C01            16BA6174          Master key incorrect I  A  C  E
. 4C02            16BA6175          Master key incorrect I  A  C  E
. 4A03            N/A              Active
. 4C04            16BA6199          Deactivated
. 4P05            16BA6200          Active          A
. 4P06            16BA6201          Master key incorrect U
***** Bottom of data *****

```

*Figure 100. Coprocessor Management Panel*

3. Select the desired coprocessor by entering an 'R' or 'V' to the left of the coprocessor.

The display shown when 'R' is used (see [Figure 101](#) on page 270) lists all of the enabled access controls in alphabetic order.

The display shown when 'V' is used (see [Figure 105](#) on page 274) lists all of the enabled access controls and the offset within the role.

The list can be ordered by the access control name or the offset. Press enter and the Domain Role Display panel appears.

**Note:** A TKE workstation is required in order to change the coprocessor role. See [z/OS Cryptographic Services ICSF TKE Workstation User's Guide](#).

```

Access Control Manager - Read role
Authorize UDX
AES Master Key - Clear new master key register
AES Master Key - Combine key parts
AES Master Key - Load first key part
AES Master Key - Set master key
Clear Key Import/Multiple Clear Key Import - DES
Clear PIN Encrypt
Clear PIN Generate - GBP
Clear PIN Generate - Interbank
Clear PIN Generate - VISA PVV
Clear PIN Generate - 3624
Clear PIN Generate Alternate - VISA PVV
Clear PIN Generate Alternate - 3624 Offset
Control Vector Translate
Cryptographic Variable Encipher
CKDS Conversion2 - Allow use of REFORMAT
CKDS Conversion2 - Allow wrapping override keywords
CKDS Conversion2 - Convert from enhanced to original
CVV Key Combine
CVV Key Combine - Allow wrapping override keywords
CVV Key Combine - Permit mixed key types
Data Key Export
Data Key Export - Unrestricted
Data Key Import
Data Key Import - Unrestricted
Decipher - DES
Digital Signature Generate
Digital Signature Verify
Diversified Key Generate - Allow wrapping override keywords
Diversified Key Generate - CLR8-ENC
Diversified Key Generate - Single length or same halves
Diversified Key Generate - SESS-XOR
Diversified Key Generate - TDES-DEC
Diversified Key Generate - TDES-ENC
Diversified Key Generate - TDES-XOR
Diversified Key Generate - TDESEM2/TDESEM4
DATAM Key Management Control
DES Master Key - Clear new master key register
DES Master Key - Combine key parts
DES Master Key - Load first key part
DES Master Key - Set master key
DUKPT - PIN Verify, PIN Translate
Encipher - DES
Encrypted PIN Generate - GBP
Encrypted PIN Generate - Interbank
Encrypted PIN Generate - 3624
Encrypted PIN Translate - Reformat

```

*Figure 101. CCA Coprocessor Role Display panel*



```

Encrypted PIN Translate - Translate
Encrypted PIN Verify - GBP
Encrypted PIN Verify - Interbank
Encrypted PIN Verify - VISA PVV
Encrypted PIN Verify - 3624
ECC Diffie-Hellman
ECC Diffie-Hellman - Allow key wrap override
ECC Diffie-Hellman - Allow BP Curve 160
ECC Diffie-Hellman - Allow BP Curve 192
ECC Diffie-Hellman - Allow BP Curve 224
ECC Diffie-Hellman - Allow BP Curve 256
ECC Diffie-Hellman - Allow BP Curve 320
ECC Diffie-Hellman - Allow BP Curve 384
ECC Diffie-Hellman - Allow BP Curve 512
ECC Diffie-Hellman - Allow Prime Curve 192
ECC Diffie-Hellman - Allow Prime Curve 224
ECC Diffie-Hellman - Allow Prime Curve 256
ECC Diffie-Hellman - Allow Prime Curve 384
ECC Diffie-Hellman - Allow Prime Curve 521
ECC Diffie-Hellman - Allow PASSTHRU
ECC Master Key - Clear new master key register
ECC Master Key - Combine key parts
ECC Master Key - Load first key part
ECC Master Key - Set master key
HMAC Generate - SHA-1
HMAC Generate - SHA-224
HMAC Generate - SHA-256
HMAC Generate - SHA-384
HMAC Generate - SHA-512
HMAC Verify - SHA-1
HMAC Verify - SHA-224
HMAC Verify - SHA-256
HMAC Verify - SHA-384
HMAC Verify - SHA-512
Key Export
Key Export - Unrestricted
Key Generate - Key set
Key Generate - Key set extended
Key Generate - OP
Key Generate - SINGLE-R
Key Generate2 - Key set
Key Generate2 - OP
Key Import
Key Import - Unrestricted
Key Part Import - first key part
Key Part Import - middle and last
Key Part Import - Allow wrapping override keywords
Key Part Import - ADD-PART
Key Part Import - COMPLETE
Key Part Import - Unrestricted
Key Part Import2 - Add last required key part
Key Part Import2 - Add optional key part
Key Part Import2 - Add second of 3 or more key parts
Key Part Import2 - Complete key
Key Part Import2 - Load first key part, require 1 key parts
Key Part Import2 - Load first key part, require 2 key parts
Key Part Import2 - Load first key part, require 3 key parts
Key Test and Key Test2
Key Test2 - AES, ENC-ZERO
Key Translate
Key Translate2
Key Translate2 - Allow use of REFORMAT
Key Translate2 - Allow wrapping override keywords
Multiple Clear Key Import - Allow wrapping override keywords
Multiple Clear Key Import/Multiple Secure Key Import - AES
Multiple Secure Key Import - Allow wrapping override keywords
MAC Generate
MAC Verify

```

Figure 102. CCA Coprocessor Role Display panel - part 2

NOCV KEK usage for export-related functions  
 NOCV KEK usage for import-related functions  
 Operational Key Load  
 Prohibit Export  
 Prohibit Export Extended  
 PCF CKDS conversion utility  
 PCF CKDS Conversion - Allow wrapping override keywords  
 PIN Change/Unblock - change EMV PIN with IPINENC  
 PIN Change/Unblock - change EMV PIN with OPINENC  
 PKA Decrypt  
 PKA Encrypt  
 PKA Key Generate  
 PKA Key Generate - Clear ECC keys  
 PKA Key Generate - Clear RSA keys  
 PKA Key Generate - Clone  
 PKA Key Generate - Permit Regeneration Data  
 PKA Key Generate - Permit Regeneration Data Retain  
 PKA Key Import  
 PKA Key Import - Import an external trusted block  
 PKA Key Token Change RTCMK  
 PKA Key Translate - from source EXP KEK to target EXP KEK  
 PKA Key Translate - from source IMP KEK to target EXP KEK  
 PKA Key Translate - from source IMP KEK to target IMP KEK  
 PKA Key Translate - from CCA RSA to SC CRT Format  
 PKA Key Translate - from CCA RSA to SC ME Format  
 PKA Key Translate - from CCA RSA to SC Visa Format  
 Reencipher CKDS2  
 Reencipher CKDS  
 Reencipher PKDS  
 Remote Key Export - Gen or export a non-CCA node key  
 Restrict Key Attribute - Export Control  
 Restrict Key Attribute - Permit setting the TR-31 export bit  
 Retained Key Delete  
 Retained Key List  
 RSA Master Key - Clear new master key register  
 RSA Master Key - Combine key parts  
 RSA Master Key - Load first key part  
 RSA Master Key - Set master key  
 Secure Key Import - DES,IM  
 Secure Key Import - DES,OP  
 Secure Key Import2 - IM  
 Secure Key Import2 - OP  
 Secure Messaging for Keys  
 Secure Messaging for PINs  
 Symmetric token wrapping - external enhanced method  
 Symmetric token wrapping - external original method  
 Symmetric token wrapping - internal enhanced method  
 Symmetric token wrapping - internal original method  
 Symmetric Algorithm Decipher - secure AES keys  
 Symmetric Algorithm Encipher - secure AES keys  
 Symmetric Key Encipher/Decipher - Encrypted AES keys  
 Symmetric Key Encipher/Decipher - Encrypted DES keys  
 Symmetric Key Export - AES, PKCSOAEP, PKCS-1.2  
 Symmetric Key Export - AES, ZERO-PAD  
 Symmetric Key Export - AES,PKOAEP2  
 Symmetric Key Export - AESKW  
 Symmetric Key Export - DES, PKCS-1.2  
 Symmetric Key Export - DES, ZERO-PAD  
 Symmetric Key Export - HMAC,PKOAEP2

*Figure 103. CCA Coprocessor Role Display panel – part 3*

```

Symmetric Key Generate - Allow wrapping override keywords
Symmetric Key Generate - AES, PKCSOAEP, PKCS-1.2
Symmetric Key Generate - AES, ZERO-PAD
Symmetric Key Generate - DES, PKA92
Symmetric Key Generate - DES, PKCS-1.2
Symmetric Key Generate - DES, ZERO-PAD
Symmetric Key Import - Allow wrapping override keywords
Symmetric Key Import - AES, PKCSOAEP, PKCS-1.2
Symmetric Key Import - AES, ZERO-PAD
Symmetric Key Import - DES, PKA92 KEK
Symmetric Key Import - DES, PKCS-1.2
Symmetric Key Import - DES, ZERO-PAD
Symmetric Key Import2 - AES,PKOAEP2
Symmetric Key Import2 - AESKW
Symmetric Key Import2 - HMAC,PKOAEP2
Symmetric Key Token Change - RTCMK
Symmetric Key Token Change2 - RTCMK
SET Block Compose
SET Block Decompose
SET Block Decompose - PIN Extension IPINENC
SET Block Decompose - PIN Extension OPINENC
Transaction Validation - Generate
Transaction Validation - Verify CSC-3
Transaction Validation - Verify CSC-4
Transaction Validation - Verify CSC-5
Trusted Block Create - Activate an inactive block
Trusted Block Create - Create Block in inactive form
TR31 Export - Permit any CCA key if INCL-CV is specified
TR31 Export - Permit version A TR-31 key blocks
TR31 Export - Permit version B TR-31 key blocks
TR31 Export - Permit version C TR-31 key blocks
TR31 Export - Permit DATA to C0:G/C
TR31 Export - Permit DATA to D0:B
TR31 Export - Permit DKYGENKY:DKYLO+DALL to E4
TR31 Export - Permit DKYGENKY:DKYLO+DALL to E5
TR31 Export - Permit DKYGENKY:DKYLO+DDATA to E4
TR31 Export - Permit ENCIPHER/DECIPHER/CIPHER to D0:E/D/B
TR31 Export - Permit IPINENC to P0:D
TR31 Export - Permit KEYGENKY:DUKPT to B0
TR31 Export - Permit MAC/DATA/DATAM to M1:G/C
TR31 Export - Permit MAC/DATA/DATAM to M3:G/C
TR31 Export - Permit MAC/MACVER:ANY-MAC to C0:G/C/V
TR31 Export - Permit MACVER/DATAMV to M0:V
TR31 Export - Permit MACVER/DATAMV to M1:V
TR31 Export - Permit MACVER/DATAMV to M3:V
TR31 Export - Permit OPINENC to P0:E
TR31 Export - Permit PINGEN:NO-SPEC/IBM-PIN/IBM-PINO to V1
TR31 Export - Permit PINGEN:NO-SPEC/VISA-PVV to V2
TR31 Export - Permit PINVER:NO-SPEC/IBM-PIN/IBM-PINO to V1
TR31 Export - Permit PINVER:NO-SPEC/VISA-PVV to V2
TR31 Import - Permit override of default wrapping method
TR31 Import - Permit version A TR-31 key blocks
TR31 Import - Permit version B TR-31 key blocks
TR31 Import - Permit version C TR-31 key blocks
TR31 Import - Permit E4 to DKYGENKY:DKYLO+DDATA
TR31 Import - Permit M0/M1/M3 to MAC/MACVER:ANY-MAC
TR31 Import - Permit P0:D to IPINENC
TR31 Import - Permit P0:E to OPINENC
TR31 Import - Permit V1 to PINGEN:IBM-PIN/IBM-PINO
TR31 Import - Permit V1 to PINVER:IBM-PIN/IBM-PINO
TR31 Import - Permit V2 to PINGEN:VISA-PVV
TR31 Import - Permit V2 to PINVER:VISA-PVV
VISA CVV Generate
VISA CVV Verify

```

Figure 104. CCA Coprocessor Role Display panel – part 4

CSFCMP32 ----- ICSF - Domain Role Display ----- Row 1 to 35 of 278  
COMMAND ==>

Sort by control value (Y/N) ==> N  
Press END to exit to the previous menu.

Enabled access controls from the domain role for 5C37 domain 0

```
0x0116 Access Control Manager - Read role
0x02B1 Authentication Parameter Generate
0x0240 Authorize UDX
0x0124 AES Master Key - Clear new master key register
0x0126 AES Master Key - Combine key parts
0x0125 AES Master Key - Load first key part
0x0128 AES Master Key - Set master key
0x01C0 Cipher Text Translate2
0x01C1 Cipher Text Translate2 - Allow translate from AES to TDES
0x01C2 Cipher Text Translate2 - Allow translate to weaker AES
0x01C3 Cipher Text Translate2 - Allow translate to weaker DES
0x00C3 Clear Key Import/Multiple Clear Key Import - DES
0x00AF Clear PIN Encrypt
0x00A1 Clear PIN Generate - GBP
0x00A3 Clear PIN Generate - Interbank
0x00A2 Clear PIN Generate - VISA PVV
0x00A0 Clear PIN Generate - 3624
0x00BB Clear PIN Generate Alternate - VISA PVV
0x00A4 Clear PIN Generate Alternate - 3624 Offset
0x00D6 Control Vector Translate
0x00DA Cryptographic Variable Encipher
0x014C CKDS Conversion2 - Allow use of REFORMAT
0x0146 CKDS Conversion2 - Allow wrapping override keywords
0x0147 CKDS Conversion2 - Convert from enhanced to original
0x0155 CVV Key Combine
0x0156 CVV Key Combine - Allow wrapping override keywords
0x0157 CVV Key Combine - Permit mixed key types
0x010A Data Key Export
0x0277 Data Key Export - Unrestricted
0x0109 Data Key Import
0x027C Data Key Import - Unrestricted
0x000F Decipher - DES
0x0100 Digital Signature Generate
0x0101 Digital Signature Verify
0x02B8 Diversified Key Generate - TDES-CBC
0x013D Diversified Key Generate - Allow wrapping override keywords
0x0040 Diversified Key Generate - CLR8-ENC
0x0044 Diversified Key Generate - Single length or same halves
0x0043 Diversified Key Generate - SESS-XOR
0x0042 Diversified Key Generate - TDES-DEC
0x0041 Diversified Key Generate - TDES-ENC
0x0045 Diversified Key Generate - TDES-XOR
0x0046 Diversified Key Generate - TDESEMV2/TDESEMV4
0x02D2 Diversified Key Generate2 - MK-OPTC
0x02CC Diversified Key Generate2 - SESS-ENC
0x0275 DATAM Key Management Control
0x0032 DES Master Key - Clear new master key register
0x0019 DES Master Key - Combine key parts
0x0018 DES Master Key - Load first key part
0x001A DES Master Key - Set master key
0x02C6 DK Deterministic PIN Generate
0x02CE DK Migrate PIN
0x02C5 DK PAN Modify in Transaction
0x02C7 DK PAN Translate
```

Figure 105. CCA Domain Role Display panel

```

0x02C2 DK PIN Change
0x02C1 DK PIN Verify
0x02C3 DK PRW Card Number Update
0x02C4 DK PRW CMAC Generate
0x02C0 DK Random PIN Generate
0x02C8 DK Regenerate PRW
0x000E Encipher - DES
0x00B1 Encrypted PIN Generate - GBP
0x00B2 Encrypted PIN Generate - Interbank
0x00B0 Encrypted PIN Generate - 3624
0x00B7 Encrypted PIN Translate - Reformat
0x00B3 Encrypted PIN Translate - Translate
0x00AC Encrypted PIN Verify - GBP
0x00AE Encrypted PIN Verify - Interbank
0x00AD Encrypted PIN Verify - VISA PVV
0x00AB Encrypted PIN Verify - 3624
0x0360 ECC Diffie-Hellman
0x0362 ECC Diffie-Hellman - Allow key wrap override
0x0368 ECC Diffie-Hellman - Allow BP Curve 160
0x0369 ECC Diffie-Hellman - Allow BP Curve 192
0x036A ECC Diffie-Hellman - Allow BP Curve 224
0x036B ECC Diffie-Hellman - Allow BP Curve 256
0x036C ECC Diffie-Hellman - Allow BP Curve 320
0x036D ECC Diffie-Hellman - Allow BP Curve 384
0x036E ECC Diffie-Hellman - Allow BP Curve 512
0x0363 ECC Diffie-Hellman - Allow Prime Curve 192
0x0364 ECC Diffie-Hellman - Allow Prime Curve 224
0x0365 ECC Diffie-Hellman - Allow Prime Curve 256
0x0366 ECC Diffie-Hellman - Allow Prime Curve 384
0x0367 ECC Diffie-Hellman - Allow Prime Curve 521
0x0361 ECC Diffie-Hellman - Allow PASSTHRU
0x031F ECC Master Key - Clear new master key register
0x0321 ECC Master Key - Combine key parts
0x0320 ECC Master Key - Load first key part
0x0322 ECC Master Key - Set master key
0x02D0 FPE Decrypt
0x02CF FPE Encrypt
0x02D1 FPE Translate
0x00E4 HMAC Generate - SHA-1
0x00E5 HMAC Generate - SHA-224
0x00E6 HMAC Generate - SHA-256
0x00E7 HMAC Generate - SHA-384
0x00E8 HMAC Generate - SHA-512
0x00F7 HMAC Verify - SHA-1
0x00F8 HMAC Verify - SHA-224
0x00F9 HMAC Verify - SHA-256
0x00FA HMAC Verify - SHA-384
0x00FB HMAC Verify - SHA-512
0x0013 Key Export
0x0276 Key Export - Unrestricted
0x008C Key Generate - Key set
0x00D7 Key Generate - Key set extended
0x008E Key Generate - OP
0x00DB Key Generate - SINGLE-R
0x00EB Key Generate2 - Key set
0x00EC Key Generate2 - Key set extended
0x00EA Key Generate2 - OP
0x0012 Key Import
0x027B Key Import - Unrestricted
0x001B Key Part Import - first key part
0x001C Key Part Import - middle and last
0x0140 Key Part Import - Allow wrapping override keywords

```

Figure 106. CCA Domain Role Display panel - part 2

```

0x0278 Key Part Import - ADD-PART
0x0279 Key Part Import - COMPLETE
0x027A Key Part Import - Unrestricted
0x029B Key Part Import2 - Add last required key part
0x029C Key Part Import2 - Add optional key part
0x029A Key Part Import2 - Add second of 3 or more key parts
0x029D Key Part Import2 - Complete key
0x0299 Key Part Import2 - Load first key part, require 1 key parts
0x0298 Key Part Import2 - Load first key part, require 2 key parts
0x0297 Key Part Import2 - Load first key part, require 3 key parts
0x001D Key Test and Key Test2
0x0021 Key Test2 - AES, ENC-ZERO
0x001F Key Translate
0x0149 Key Translate2
0x014B Key Translate2 - Allow use of REFORMAT
0x014A Key Translate2 - Allow wrapping override keywords
0x0141 Multiple Clear Key Import - Allow wrapping override keywords
0x0129 Multiple Clear Key Import/Multiple Secure Key Import - AES
0x0142 Multiple Secure Key Import - Allow wrapping override keywords
0x0010 MAC Generate
0x0336 MAC Generate2 - AES CMAC
0x0011 MAC Verify
0x0337 MAC Verify2 - AES CMAC
0x0300 NOCV KEK usage for export-related functions
0x030A NOCV KEK usage for import-related functions
0x0309 Operational Key Load
0x029E Operational Key Load - Variable-Length Tokens
0x00CD Prohibit Export
0x0301 Prohibit Export Extended
0x0303 PCF CKDS conversion utility
0x0148 PCF CKDS Conversion - Allow wrapping override keywords
0x00BD PIN Change/Unblock - change EMV PIN with IPINENC
0x00BC PIN Change/Unblock - change EMV PIN with OPINENC
0x011F PKA Decrypt
0x011E PKA Encrypt
0x0103 PKA Key Generate
0x0326 PKA Key Generate - Clear ECC keys
0x0205 PKA Key Generate - Clear RSA keys
0x0204 PKA Key Generate - Clone
0x027D PKA Key Generate - Permit Regeneration Data
0x027E PKA Key Generate - Permit Regeneration Data Retain
0x0104 PKA Key Import
0x0311 PKA Key Import - Import an external trusted block
0x0102 PKA Key Token Change RTCMK
0x031B PKA Key Translate - from source EXP KEK to target EXP KEK
0x031C PKA Key Translate - from source IMP KEK to target EXP KEK
0x031D PKA Key Translate - from source IMP KEK to target IMP KEK
0x031A PKA Key Translate - from CCA RSA to SC CRT Format
0x0319 PKA Key Translate - from CCA RSA to SC ME Format
0x0318 PKA Key Translate - from CCA RSA to SC Visa Format
0x033A PKA Key Translate - from CCA RSA CRT to EMV CRT format
0x0338 PKA Key Translate - from CCA RSA CRT to EMV DDA format
0x0339 PKA Key Translate - from CCA RSA CRT to EMV DDAE format
0x00FF PKA Key Translate - Translate external key token
0x00FE PKA Key Translate - Translate internal key token
0x02B0 Recover PIN From Offset
0x001E Reencipher CKDS
0x00F0 Reencipher CKDS2
0x0241 Reencipher PKDS
0x0312 Remote Key Export - Gen or export a non-CCA node key
0x00E9 Restrict Key Attribute - Export Control
0x0154 Restrict Key Attribute - Permit setting the TR-31 export bit
0x0203 Retained Key Delete
0x0230 Retained Key List
0x0060 RSA Master Key - Clear new master key register

```

Figure 107. CCA Domain Role Display panel - part 3

```

0x0054 RSA Master Key - Combine key parts
0x0053 RSA Master Key - Load first key part
0x0057 RSA Master Key - Set master key
0x00DC Secure Key Import - DES,IM
0x00C4 Secure Key Import - DES,OP
0x00F3 Secure Key Import2 - IM
0x00F2 Secure Key Import2 - OP
0x0273 Secure Messaging for Keys
0x0274 Secure Messaging for PINs
0x013B Symmetric token wrapping - external enhanced method
0x013C Symmetric token wrapping - external original method
0x0139 Symmetric token wrapping - internal enhanced method
0x013A Symmetric token wrapping - internal original method
0x012B Symmetric Algorithm Decipher - secure AES keys
0x012A Symmetric Algorithm Encipher - secure AES keys
0x0296 Symmetric Key Encipher/Decipher - Encrypted AES keys
0x0295 Symmetric Key Encipher/Decipher - Encrypted DES keys
0x0130 Symmetric Key Export - AES, PKCSOAEP, PKCS-1.2
0x0131 Symmetric Key Export - AES, ZERO-PAD
0x00FC Symmetric Key Export - AES,PKOAEP2
0x0327 Symmetric Key Export - AESKW
0x02B3 Symmetric Key Export - AESKWCV
0x0105 Symmetric Key Export - DES, PKCS-1.2
0x023E Symmetric Key Export - DES, ZERO-PAD
0x00F5 Symmetric Key Export - HMAC,PKOAEP2
0x02B5 Symmetric Key Export with Data
0x02B6 Symmetric Key Export with Data - Special
0x013E Symmetric Key Generate - Allow wrapping override keywords
0x012C Symmetric Key Generate - AES, PKCSOAEP, PKCS-1.2
0x012D Symmetric Key Generate - AES, ZERO-PAD
0x010D Symmetric Key Generate - DES, PKA92
0x023F Symmetric Key Generate - DES, PKCS-1.2
0x023C Symmetric Key Generate - DES, ZERO-PAD
0x0144 Symmetric Key Import - Allow wrapping override keywords
0x012E Symmetric Key Import - AES, PKCSOAEP, PKCS-1.2
0x012F Symmetric Key Import - AES, ZERO-PAD
0x0235 Symmetric Key Import - DES, PKA92 KEK
0x0106 Symmetric Key Import - DES, PKCS-1.2
0x023D Symmetric Key Import - DES, ZERO-PAD
0x02B9 Symmetric Key Import2 - Allow wrapping override keywords
0x00FD Symmetric Key Import2 - AES,PKOAEP2
0x0329 Symmetric Key Import2 - AESKW
0x02B4 Symmetric Key Import2 - AESKWCV
0x00F4 Symmetric Key Import2 - HMAC,PKOAEP2
0x0090 Symmetric Key Token Change - RTCMK
0x00F1 Symmetric Key Token Change2 - RTCMK
0x010B SET Block Compose
0x010C SET Block Decompose
0x0121 SET Block Decompose - PIN Extension IPINENC
0x0122 SET Block Decompose - PIN Extension OPINENC
0x0291 Transaction Validation - Generate
0x0292 Transaction Validation - Verify CSC-3
0x0293 Transaction Validation - Verify CSC-4
0x0294 Transaction Validation - Verify CSC-5
0x0310 Trusted Block Create - Activate an inactive block
0x030F Trusted Block Create - Create Block in inactive form
0x0158 TR31 Export - Permit any CCA key if INCL-CV is specified
0x014D TR31 Export - Permit version A TR-31 key blocks
0x014E TR31 Export - Permit version B TR-31 key blocks
0x014F TR31 Export - Permit version C TR-31 key blocks
0x0184 TR31 Export - Permit DATA to C0:G/C
0x0186 TR31 Export - Permit DATA to D0:B
0x01AB TR31 Export - Permit DKYGENKY:DKYL0+DALL to E4
0x01AF TR31 Export - Permit DKYGENKY:DKYL0+DALL to E5
0x01AA TR31 Export - Permit DKYGENKY:DKYL0+DDATA to E4

```

Figure 108. CCA Domain Role Display panel - part 4

```

0x0185 TR31 Export - Permit ENCIPHER/DECIPHER/CIPHER to D0:E/D/B
0x0192 TR31 Export - Permit IPINENC to P0:D
0x0180 TR31 Export - Permit KEYGENKY:DUKPT to B0
0x018D TR31 Export - Permit MAC/DATA/DATAM to M1:G/C
0x018F TR31 Export - Permit MAC/DATA/DATAM to M3:G/C
0x0183 TR31 Export - Permit MAC/MACVER:ANY-MAC to C0:G/C/V
0x018C TR31 Export - Permit MACVER/DATAMV to M0:V
0x018E TR31 Export - Permit MACVER/DATAMV to M1:V
0x0190 TR31 Export - Permit MACVER/DATAMV to M3:V
0x0191 TR31 Export - Permit OPINENC to P0:E
0x0196 TR31 Export - Permit PINGEN:NO-SPEC/IBM-PIN/IBM-PINO to V1
0x0198 TR31 Export - Permit PINGEN:NO-SPEC/VISA-PVV to V2
0x0195 TR31 Export - Permit PINVER:NO-SPEC/IBM-PIN/IBM-PINO to V1
0x0197 TR31 Export - Permit PINVER:NO-SPEC/VISA-PVV to V2
0x0153 TR31 Import - Permit override of default wrapping method
0x0150 TR31 Import - Permit version A TR-31 key blocks
0x0151 TR31 Import - Permit version B TR-31 key blocks
0x0152 TR31 Import - Permit version C TR-31 key blocks
0x0178 TR31 Import - Permit E4 to DKYGENKY:DKYL0+DDATA
0x0164 TR31 Import - Permit M0/M1/M3 to MAC/MACVER:ANY-MAC
0x0166 TR31 Import - Permit P0:D to IPINENC
0x0165 TR31 Import - Permit P0:E to OPINENC
0x0169 TR31 Import - Permit V1 to PINGEN:IBM-PIN/IBM-PINO
0x016A TR31 Import - Permit V1 to PINVER:IBM-PIN/IBM-PINO
0x016B TR31 Import - Permit V2 to PINGEN:VISA-PVV
0x016C TR31 Import - Permit V2 to PINVER:VISA-PVV
0x01C8 Unique Key Derive
0x01CA Unique Key Derive - Override default wrapping
0x00E1 DUKPT - PIN Verify, PIN Translate
0x00DF VISA CVV Generate
0x00E0 VISA CVV Verify
***** Bottom of data *****

```

Figure 109. CCA Domain Role Display panel - part 5

## Displaying the EP11 domain roles

Use the ICSF panels to display the enabled access control points for the Enterprise PKCS #11 coprocessor. All the access control points enabled will be listed.

1. Select option 1, COPROCESSOR MGMT, on the “ICSF Primary Menu panel” on page 481.
2. The Coprocessor Management panel appears. Refer to Figure 110 on page 278.

```

CSFCMP00 ----- ICSF Coprocessor Management -----
Select the coprocessors to be processed and press ENTER.
Action characters are: A, D, E, K, R, S, and V. See the help panel for details.

CoProcessor   Serial      Status      AES  DES  ECC  RSA  P11
-----
-- 4P00        16BA6173   Active
-- 4C01        16BBP109   Master key incorrect U    U    U    U
-- 4A02        N/A        Active
R  4P03        16BBP103   Active      A
-- 3C04        99001650   Active      A    A    A    A
-- 3C05        99001652   Active      A    A    A    A
-- 3A06        N/A        Active
-- 3C07        99002519   Master key incorrect U    U    U    U
-- 3C08        91008972   Active      A    A    A    A
-- 3C09        90008301   Active      A    A    A    A
-- 4C14        16C35329   Active      A    A    A    A
-- 4P15        16C2H305   Active

```

Figure 110. Coprocessor Management Panel

3. Select the desired coprocessor by entering an 'R' or 'V' to the left of the coprocessor.

The display shown when 'R' is used (see Figure 111 on page 279) lists all of the enabled access controls in alphabetic order.



The display shown when 'V' is used (see Figure 112 on page 280) lists all of the enabled access controls and the offset within the role. The list can be ordered by the access control name or the offset. Press Enter and the Domain Role Display panel appears (Figure 111 on page 279).

```
CSFCMP30 ----- ICSF - Status Display ----- Row 1 to 43 of 43
COMMAND ==>

Enabled access control points from the domain role for 4P03 domain 0

Allow addition (activation) of Control Points
Allow backend to save semi-retained keys
Allow changes to key objects (usage flags only)
Allow clear passphrases for password-based-encryption
Allow clear public keys as non-attribute bound wrapping keys
Allow dual-function keys - digital signature and data encryption
Allow dual-function keys - key wrapping and data encryption
Allow dual-function keys - key wrapping and digital signature
Allow key derivation
Allow keywrap without attribute-bindings
Allow mixing external seed to RNG
Allow non-administrators to mark key objects TRUSTED
Allow non-administrators to mark public key objects ATTRBOUND
Allow non-BSI algorithms (as of 2009)
Allow non-BSI algorithms (as of 2011)
Allow non-FIPS-approved algorithms (as of 2011)
Allow removal (deactivation) of Control Points
Allow wrapping of stronger keys by weaker keys
Allow RSA public exponents below 0x10001
Allow 112 to 127-bit algorithms
Allow 128 to 191-bit algorithms
Allow 192 to 255-bit algorithms
Allow 256-bit algorithms
Allow 80 to 111-bit algorithms
Brainpool (E.U.) EC curves
Decrypt with private keys
Decrypt with symmetric keys
Do not double-check sign/decrypt operations
DH private-key use
DSA private-key use
Encrypt with symmetric keys
EC private-key use
Generate asymmetric key pairs
Generate symmetric keys
Key export with public keys
Key export with symmetric keys
Key import with private keys
Key import with symmetric keys
NIST/SECG EC curves
RSA private-key use
Sign with private keys
Sign with HMAC or CMAC
Verify with HMAC or CMAC
```

Figure 111. CSFCMP30 - ICSF - Domain Role Display

```

CSFCMP32 ----- ICSF - Domain Role Display ----- Row 1 to 43 of 43

Sort by control value (Y/N) ==> N
Press END to exit to the previous menu.

Enabled access controls from the domain role for 5P14 domain 0

 0 Allow addition (activation) of Control Points
14 Allow backend to save semi-retained keys
17 Allow changes to key objects (usage flags only)
43 Allow clear passphrases for password-based-encryption
45 Allow clear public keys as non-attribute bound wrapping keys
40 Allow dual-function keys - digital signature and data encryption
39 Allow dual-function keys - key wrapping and data encryption
41 Allow dual-function keys - key wrapping and digital signature
47 Allow key derivation
16 Allow keywrap without attribute-bindings
18 Allow mixing external seed to RNG
37 Allow non-administrators to mark key objects TRUSTED
42 Allow non-administrators to mark public key objects ATTRBOUND
21 Allow non-BSI algorithms (as of 2009)
36 Allow non-BSI algorithms (as of 2011)
35 Allow non-FIPS-approved algorithms (as of 2011)
 1 Allow removal (deactivation) of Control Points
44 Allow wrapping of stronger keys by weaker keys
29 Allow RSA public exponents below 0x10001
25 Allow 112 to 127-bit algorithms
26 Allow 128 to 191-bit algorithms
27 Allow 192 to 255-bit algorithms
28 Allow 256-bit algorithms
24 Allow 80 to 111-bit algorithms
33 Brainpool (E.U.) EC curves
 6 Decrypt with private keys
 7 Decrypt with symmetric keys
38 Do not double-check sign/decrypt operations
46 DH private-key use
31 DSA private-key use
 5 Encrypt with symmetric keys
32 EC private-key use
12 Generate asymmetric key pairs
13 Generate symmetric keys
 8 Key export with public keys
 9 Key export with symmetric keys
10 Key import with private keys
11 Key import with symmetric keys
34 NIST/SECG EC curves
30 RSA private-key use
 2 Sign with private keys
 3 Sign with HMAC or CMAC
 4 Verify with HMAC or CMAC

```

Figure 112. CSFCMP32 - ICSF - Domain Role Display

For the Access Control Points that are available on the Enterprise PKCS #11 coprocessor, see PKCS #11 Coprocessor Access Control Points in *z/OS Cryptographic Services ICSF Writing PKCS #11 Applications*.

## Displaying installation exits

ICSF provides invocation points where you can use installation exits to perform processing that is specific to your installation. For example, ICSF provides a preprocessing and postprocessing exit invocation for each ICSF callable service. You can write and define an exit to set return codes at postprocessing of a callable service.

You must define each installation exit in the installation options data set. You define the ICSF name for the exit, the load module name of the exit, and the action ICSF takes if the exit fails. You can use the panels to view the ICSF name for each exit invocation. For a defined exit, you view the exit's load module name and fail options.

ICSF provides these types of exits:

- ICSF mainline exits
- Key generator utility program exit

- Callable services exits
- Cryptographic Key Data Set (CKDS) Conversion program exit
- Single-record, read-write exit
- CKDS retrieval exit
- Security exits

The mainline exits are called when you start and stop ICSF. The key generator utility program exit is called during key generator utility program processing. The callable services exits are called during each of the callable services. The CKDS conversion program exit is called during conversion of CUSP or PCF CKDS to ICSF CKDS format. The single-record, read-write exit is called when an access to a single record is made to a disk copy of the CKDS. The security exits are called during initialization and stopping of ICSF, during a call to a callable service, and during access of a CKDS entry.

For a detailed description of the ICSF exits, see [z/OS Cryptographic Services ICSF System Programmer's Guide](#).

To display installation exits:

1. Select option 3, OPSTAT, on the “ICSF Primary Menu panel” on page 481. The “CSFSOP00 – Installation Options panel” on page 487 appears.
2. Select option 2, Exits, on the “CSFSOP00 – Installation Options panel” on page 487.

The first of the “CSFSOP30 – Installation Exits Display panel” on page 488s appears.

The “CSFSOP30 – Installation Exits Display panel” on page 488 displays the ICSF name for all the possible installation exits your installation can write.

3. Scroll through the screens, to view all of the installation exits.

The system programmer specified the exit identifier, the load-module-name, and the failure option for each exit your installation uses with the EXIT keyword in the installation options data set. On this panel, you can view information about any exit that is specified in the installation options data set. The exit identifier is the ICSF name for the exit.

Table 56 on page 281 shows the names for some general ICSF exits. Appendix I, “Resource names for CCA and ICSF entry points,” on page 523 and Table 57 on page 282 show the ICSF name for each callable service exit.

<i>Table 56. General ICSF Exits and Exit Identifiers</i>	
<b>General ICSF Exit</b>	<b>Exit Identifier</b>
<b>Conversion Exit</b>	<b>CSFCONVX</b>
<b>Cryptographic Key Data Set Retrieval Exit</b>	<b>CSFCKDS</b>
<b>Key Generator Utility Program Exit</b>	<b>CSFKGUP</b>
<b>Mainline Exits</b>	<b>CSFEXIT2, CSFEXIT3, CSFEXIT4, CSFEXIT5</b>
<b>Security Initialization Exit Point</b>	<b>CSFESECI</b>
<b>Security Key Exit Point</b>	<b>CSFESECK</b>
<b>Security Service Exit Point</b>	<b>CSFESECS</b>
<b>Security Termination Exit Point</b>	<b>CSFESECT</b>
<b>Single-record, read-write Exit Point</b>	<b>CSFSRRW</b>

<i>Table 57. Compatibility Service and its Exit Identifier</i>	
<b>Service</b>	<b>Exit Identifier</b>
<b>Encipher under Master Key</b>	<b>CSFEMK</b>
<b>CUSP/PCF GENKEY Service</b>	<b>CSFGKC</b>
<b>CUSP/PCF RETKEY Service</b>	<b>CSFRTC</b>
<b>Cipher/Decipher</b>	<b>CSFEDC</b>

The load module name is the name of the module that contains the exit. The LOAD MODULE column on the panel lists the load module name for each exit. The OPTIONS column on this panel lists the action to occur if the exit fails.

- To change the module name or failure option of an exit or add a new exit when viewing this panel, access the installation options data set. In the data set, change how you specified an exit or specify a new exit and restart ICSF.

## Displaying installation-defined callable services

ICSF provides callable services to perform cryptographic functions. You can write a callable service to perform a function unique to your installation. In the installation options data set, you must define each installation-defined callable service. You specify a number to identify the service to ICSF, and you specify the load module that contains the service. You can use the panels to view the number and module name for each installation-defined callable service.

To run an installation-defined service, you must:

- Write the service.
- Define the service.
- Write a service stub and link it with your application program.

For more information about writing, defining, and running an installation-defined service, see [z/OS Cryptographic Services ICSF System Programmer's Guide](#).

To display information about installation-defined callable services:

1. Select option 3, OPSTAT, on the “[ICSF Primary Menu panel](#)” on page 481.

The Installation Options panel appears. Refer to [Figure 113 on page 282](#).

```

CSFSOP00 ----- ICSF - Installation Options -----
OPTION ==> 3

Enter the number of the desired option above.

  1  OPTIONS - Display Installation Options
  2  EXITS  - Display Installation exits and exit options
  3  SERVICES - Display Installation Defined Services

```

*Figure 113. Installation Options Panel*

2. Select option 3, Services, on the Installation Options Status panel.

The Installation Defined Services panel appears. Refer to [Figure 114 on page 283](#).

```
CSFSOP40 ----- ICSF - Installation Defined Services --- ROW 1 TO 8 OF 8
COMMAND ==>

  SERVICE NUMBER      INSTALLATION NAME
  -----
      1              SERVICE1
      3              SERVICE3
      5              SERVICE5
      6              SERVICE6
      8              SERVICE8
     11              SERVICEB
     13              SERVICED
*****BOTTOM OF DATA*****
```

Figure 114. Installation-Defined Services Display Panel

The system programmer used the SERVICE keyword in the installation options data set to specify the service-number, the load-module-name, and fail-option for each service. The service number identifies the service to ICSF. The load-module-name identifies the module that contains the installation-defined service. The Installation Name column on the panel lists the load-module-name for each installation service.

The panel displays the service number and the corresponding installation name for each installation-defined service that is specified in the installation options data set.

**Note:** If your installation does not have any installation-defined callable services and you select option 3, the message NO GENERIC SERVICES displays and you remain on the Installation Options panel.

At ICSF start up, you define an installation options data set that contains the options your installation wants to use. The options specify certain modes and conditions on your ICSF system. You specify the keyword and value for each option in the installation options data set. You specify the data set name in the startup procedure. When you start ICSF, the options become active.



## Chapter 15. Managing User Defined Extensions

User Defined Extensions (UDX) support allows you to request implementation of a customized cryptographic callable service. This support is available with a special contract with IBM for the CCA coprocessors. User Defined Extensions are ICSF functions developed for your installation with the help of IBM Global Services. Contact IBM Global Services for any problems with UDX.

You must define your routine to ICSF in the Installation Options Data Set. For more detailed information on the Installation Options Data Set and the UDX keyword, see *z/OS Cryptographic Services ICSF System Programmer's Guide*.

The UDX callable service load module is loaded during ICSF startup. Use the ICSF panels to perform UDX authorization processing.

You can perform these tasks:

- Display a list of UDX IDs of all authorized UDXs on a specific PCICC or CCA coprocessor.
- Display a list of all PCICCs and CCA coprocessors on which a specific UDX is authorized.

Select option 9, UDX MGMT, on the “[ICSF Primary Menu panel](#)” on page 481.

Once you have selected option 9, this panel is displayed:

```
CSFUDX00 ----- OS/390 ICSF - User Defined Extensions Management -----
OPTION ===>

Enter the number of the desired option.

  1  Display the authorized UDXs for a coprocessor
  2  Display the coprocessors where a UDX is authorized
```

Figure 115. User Defined Extensions Management Panel

### Display UDXs for a coprocessor

A panel similar to [Figure 116 on page 285](#) is displayed when option 1 is selected. You will see a list of CCA coprocessors.

```
CSFUDX10 ----- ICSF - Authorized UDX Coprocessor Selection      Row 1 to 1 of 6
COMMAND ===>                                           SCROLL===> PAGE

Select the coprocessor to be queried and press ENTER.

  COPROCESSOR      SERIAL NUMBER      STATUS
  -----
  4C00             16BA6109             ACTIVE
  4C01             16BA6111             ACTIVE
  4C02             16BA6155             ACTIVE
  4C03             16BA6133             ACTIVE
  4C04             16BA6129             ACTIVE
  4C07             16BA6140             ACTIVE
```

Figure 116. Authorized UDX Coprocessor Selection Panel

Select the coprocessor you wish to query. Use an **s** to select the coprocessor. Only one coprocessor can be selected. A panel similar to [Figure 117 on page 286](#) is displayed.

```

CSFUDX20 ----- ICSF - Authorized UDXs                               Row 1 to 1 of 3
COMMAND ==>                                                           SCROLL==> PAGE

For Cryptographic Coprocessor P00, the following UDXs are authorized:

  UDX id      Service Module      Comment
  -----      -
  XD          UDXSABCD          PIN processing extensions
  XE          UDXSEFGH         Multiple hash generate service
  YH          UDXSIJKL         Secure messaging key generate
*****Bottom of data*****

```

Figure 117. Authorized UDXs Panel

This panel shows the authorized User Defined Extensions for the coprocessor selected. The UDX id is the two character code. The service module is the z/OS load module specified in the UDX keyword in the ICSF Installation Options Data Set. The comment is also specified in the UDX keyword.

## Display coprocessors for a UDX

This panel is displayed when option 2 is selected from the User Defined Extensions Management Panel.

```

CSFUDX30 ----- ICSF - Coprocessors for Authorized UDXs -----
COMMAND ==>

Enter the two character id of the User Defined Extension to be queried.

  UDX id ==>

```

Figure 118. Coprocessors for Authorized UDXs Panel

Use this panel to specify the User Defined Extension id to be queried. A panel similar to [Figure 119 on page 286](#) appears.

```

CSFUDX40 ----- ICSF - Coprocessors for Authorized UDX          Row 1 to 1 of 3
COMMAND ==>                                                           SCROLL==> PAGE

User Defined Extension XX is authorized on the following coprocessors:

  COPROCESSOR      SERIAL NUMBER      STATUS
  -----      -
  4C00             16BA6109          ACTIVE
  4C01             16BA6111          ACTIVE
  4C04             16BA6129          ACTIVE
*****Bottom of data*****

```

Figure 119. Coprocessors for Authorized UDXs Panel



# Chapter 16. Using the Utility Panels to Encode and Decode Data

Encoding data is enciphering data by using a clear key. Decoding data is deciphering data by using the same clear key that enciphered the data. You can use the utility panels to encode and decode data.

**Note:** ICSF must be active with a valid master key to use the encode and decode options. Encode and decode are available only on a DES-capable server or processor. CDMF-only systems cannot use encode and decode.

## Steps for encoding data

To encode data:

1. Select option 5, UTILITY, on the “ICSF Primary Menu panel” on page 481.

The Utilities panel appears. See [Figure 120 on page 287](#).

```
CSFUTL00 ----- ICSF - Utilities -----
OPTION ==> 1

Enter the number of the desired option.
1 ENCODE          - Encode data
2 DECODE          - Decode data
3 RANDOM          - Generate a random number
4 CHECKSUM        - Generate a checksum and verification patterns
5 CKDSKEYS        - Manage keys in the CKDS
6 PKDSKEYS        - Manage keys in the PKDS
7 PKCS11 TOKEN    - Manage PKCS11 tokens in the TKDS

Press ENTER to go to the selected option.
Press END to exit to the previous menu.
```

*Figure 120. Selecting the Encode Option on the Utilities Panel*

2. Select option 1, Encode, on this panel.

The Encode panel appears. See [Figure 121 on page 287](#).

```
CSFEC000 ----- ICSF -Encode -----
COMMAND ==>

Enter data below:

Clear Key          ==> 0000000000000000    Clear Key Value
Plaintext          ==> 0000000000000000    Data to be encoded
Ciphertext         : 0000000000000000    Output from the encode
```

*Figure 121. Encode Panel*

3. In the Clear Key field, enter the clear value of the key you want ICSF to use to encode the data.
4. In the Plaintext field, enter the data in hexadecimal form that you want ICSF to encode.
5. Press ENTER.

ICSF uses the clear key and the DES algorithm to encode the data. The encoded data is displayed in the Ciphertext field.

6. Press END to return to the Utilities panel.
7. Press END to return to the Primary Option panel.

## Steps for decoding data

---

To decode data:

1. Select option 5, UTILITY, on the Primary Option panel and press ENTER.

The Utilities panel appears. See [Figure 122 on page 288](#).

```

CSFUTL00 ----- ICSF - Utilities -----
OPTION ==> 2

Enter the number of the desired option.
1 ENCODE          - Encode data
2 DECODE          - Decode data
3 RANDOM          - Generate a random number
4 CHECKSUM        - Generate a checksum and verification patterns
5 CKDSKEYS        - Manage keys in the CKDS
6 PKDSKEYS        - Manage keys in the PKDS
7 PKCS11 TOKEN    - Manage PKCS11 tokens in the TKDS

Press ENTER to go to the selected option.
Press END to exit to the previous menu.

```

*Figure 122. Selecting the Decode Option on the Utilities Panel*

2. Select option 2, Decode, on this panel.

The Decode panel appears. See [Figure 123 on page 288](#).

```

CSFEC000 ----- ICSF - Decode -----
COMMAND ==>

Enter data below:

Clear Key          ==> 0000000000000000    Clear Key Value
Ciphertext         ==> 0000000000000000    Data to be decoded
Plaintext          : 0000000000000000    Output from the decode

```

*Figure 123. Decode Panel*

3. In the Clear Key field, enter the clear value of the key you want ICSF to use to decode the data. This needs to be the same key value that was used to encode the data.
4. In the Ciphertext field, enter the data in hexadecimal form that you want ICSF to decode.
5. Press ENTER.

ICSF uses the clear key and the DES algorithm to decode the data. The decoded data is displayed in the Plaintext field.

6. Press END to return to the Utilities panel.
7. Press END to return to the Primary Option panel.

---

# Chapter 17. Using the utility panels to manage keys in the CKDS

Use the CKDS KEYS utility to manage keys in the active CKDS. All formats of the CKDS are supported.

- List records by label, including wild cards.
- Display the attributes of a key.
- Delete records.
- Create AES DATA keys in the CKDS.

The panels have extra options when the CKDS uses the common record format (KDSR).

- Display the metadata of a record.
- Add, delete, and update the cryptoperiod of a record.
- Archive and recall records.

To use the full function of the CKDS KEYS utility, you must have an active CCA coprocessor and the appropriate master keys must be active.

When making changes to the active CKDS using the CKDS KEYS utility, if you have sysplex-wide consistency enabled, all systems sharing the CKDS in the sysplex will have their in-storage copy updated.

---

## SAF controls used by the CKDS KEYS utility

The following resources and profiles are SAF checked by the CKDS KEYS utility. You must have SAF authority to the resource to perform the function. The CSFKEYS class can be checked for the label when these functions are executed.

### **Listing labels (CSFSERV(CSFKDSL) and CSFSERV(CSFBRCK))**

You must have READ authority to the profiles.

### **Displaying key attributes and record metadata (CSFSERV(CSFBRCK))**

You must have READ authority to the profile.

### **Modifying metadata (CSFSERV(CSFBRCK))**

You must have UPDATE authority to the profile and READ authority to the CSFKEYS profile for the label.

### **Deleting records (CSFSERV(CSFBRCK))**

You must have CONTROL authority to the profile and READ authority to the CSFKEYS profile for the label.

### **Archiving/recalling records (CSFSERV(CSFBRCK))**

You must have UPDATE authority to the profile and READ authority to the CSFKEYS profile for the label.

If you have ALTER authority to the CSFSERV(CSFBRCK) profile, the CSFKEYS SAF check is not performed.

Generating an AES DATA key requires you to have SAF authority to the specified label in the CSFKEYS class and to these resources in the CSFSERV class:

#### **CSFKGN**

Generates keys.

#### **CSFKRC2**

Creates the CKDS record.

#### **CSFKRR2**

Checks whether specified record exists.

## CSFKRW2

Overwrites the existing key token in the existing record.

**Note:** The AES master key must be active to generate AES keys.

## Auditing

ICSF logs audit records for actions taken by the CKDS KEYS utility. The audit records that are logged are dependent on the AUDITKEYLIFECKDS option setting. If key life cycle auditing is enabled, ICSF records SMF type 82 subtype 40 records for the label modified. If key life cycle auditing is disabled, ICSF records SMF type 82 subtype 9 records for the label modified. For additional information, see [z/OS Cryptographic Services ICSF System Programmer's Guide](#).

## Managing keys in the CKDS

Use the CKDS KEYS utility to manage cryptographic keys in the CKDS.

- [“Using the CKDS KEYS utility with a KDSR format CKDS” on page 291.](#)
  - [“Archiving a record in a KDSR format CKDS” on page 292.](#)
  - [“Changing the cryptoperiod of a record in a KDSR format CKDS” on page 296.](#)
  - [“Deleting a record from a KDSR format CKDS” on page 301.](#)
  - [“Displaying a list of records from a KDSR format CKDS” on page 305.](#)
  - [“Displaying the attributes of a key in a KDSR format CKDS” on page 308.](#)
  - [“Displaying the metadata of a record from a KDSR format CKDS” on page 311.](#)
  - [“Generating an AES DATA key to a KDSR format CKDS” on page 315.](#)
  - [“Prohibiting the archival of a record in a KDSR format CKDS” on page 316.](#)
  - [“Recalling a record in a KDSR format CKDS” on page 321.](#)
- [“Using the CKDS KEYS utility with a non-KDSR format CKDS” on page 326.](#)
  - [“Deleting a record from a non-KDSR format CKDS” on page 327.](#)
  - [“Displaying a list of records from a non-KDSR format CKDS” on page 331.](#)
  - [“Displaying the attributes of a key in a non-KDSR format CKDS” on page 333.](#)
  - [“Generating an AES DATA key to a non-KDSR format CKDS” on page 336.](#)

## CKDS labels

CKDS labels are 64 characters long. The labels that are displayed are 72 characters long, which includes the 64-character label and the key type in position 65-72. If the 64-character label is not unique, the key type is required.

A label can consist of up to 64 characters. The first character must be alphabetic or a national character (#, \$, @). The remaining characters can be alphanumeric, a national character (#, \$, @), or a period (.).

The search string is a character string that can contain the following:

- Character strings containing valid characters for labels.
- Wild cards ( \* (asterisk)):
  - A wild card means 0 or more characters are to be ignored in the filtering process.
  - The number of characters to be ignored can be specified as *\*(nn)*, where *nn* is the number (1 – 63) of characters to be ignored in the filtering process.
  - You can specify from 0 to 7 wild cards in the string.
- Blanks are not allowed anywhere in the string.

## Using the CKDS KEYS utility with a KDSR format CKDS

1. From the ICSF Primary menu, select option 5, UTILITY.

```
HCR77D0 ----- Integrated Cryptographic Service Facility -----
OPTION ==>

Enter the number of the desired option.

  1 COPROCESSOR MGMT - Management of Cryptographic Coprocessors
  2 KDS MANAGEMENT  - Master key set or change, KDS processing
  3 OPSTAT           - Installation options
  4 ADMINCNTL       - Administrative Control Functions
  5 UTILITY          - ICSF Utilities
  6 PPINIT          - Pass Phrase Master Key/KDS Initialization
  7 TKE             - TKE PKA Direct Key Load
  8 KGUP            - Key Generator Utility processes
  9 UDX MGMT        - Management of User Defined Extensions
```

Figure 124. Selecting UTILITY on the ICSF primary menu panel

2. The Utilities panel appears. Select option 5, CKDS KEYS, to access the CKDS KEYS panel. If you did not specify a CKDS in the ICSF installation options data set, option 5 will not appear on the panel.

```
CSFUTL00 ----- ICSF - Utilities -----
OPTION ==> 5

Enter the number of the desired option.
  1 ENCODE          - Encode data
  2 DECODE          - Decode data
  3 RANDOM          - Generate a random number
  4 CHECKSUM        - Generate a checksum and verification patterns
  5 CKDSKEYS        - Manage keys in the CKDS
  6 PKDSKEYS        - Manage keys in the PKDS
  7 PKCS11 TOKEN    - Manage PKCS11 tokens in the TKDS

Press ENTER to go to the selected option.
Press END to exit to the previous menu.
```

Figure 125. Selecting CKDS KEYS on the ICSF Utilities panel

3. Panel CSFBRCK0 appears if you are using a KDSR format CKDS. If you are using a non-KDSR format CKDS, see [“Using the CKDS KEYS utility with a non-KDSR format CKDS”](#) on page 326.

```
CSFBRCK0 ----- ICSF - CKDS KEYS -----

Active CKDS: CSF.CKDS                               Keys: 100007

Enter the number of the desired option.

  1 List and manage all records
  2 List and manage records with label key type _____ leave blank for
                                                                list, see help
  3 List and manage records that are _____ (ACTIVE, INACTIVE, ARCHIVED)
  4 List and manage records that contain unsupported CCA keys
  5 Display the key attributes and record metadata for a record
  6 Delete a record
  7 Generate AES DATA keys

Full or partial record label
==> _____
The label may contain up to seven wild cards (*)

Number of labels to display ==> 100 (maximum 100)

Press ENTER to process the selected option.
Press END to exit to the previous menu.

OPTION ==>
```

Figure 126. CKDS KEYS panel for KDSR format CKDS

## Archiving a record in a KDSR format CKDS

Set the 'Archive flag' to true to disallow the use of the key in the record. ICSF fails if the label of an archived record is specified in a call to a service unless the Key Archive Use control is enabled. See 'Enabling use of archived KDS records' in *z/OS Cryptographic Services ICSF Administrator's Guide*. There are two ways that you can archive a record:

- “Using the CKDS KEYS List panel” on page 292.
- “Using the CKDS Key Attributes and Metadata panel” on page 293.

### Using the CKDS KEYS List panel

1. On the CKDS KEYS panel, select either option 1, 2, 3, or 4 to list and manage records. The CKDS KEYS List panel appears.

```
CSFBRC1 ----- ICSF - CKDS KEYS List ----- Row 1 to 3 of 3
Active CKDS: CSF.CKDS                               Keys: 100007
Action characters: A, D, K, M, P, R See the help panel for details.
Status characters: - Active   A Archived   I Inactive

Select the records to be processed and press ENTER.
When the list is incomplete and you want to see more labels, press ENTER.
Press END to exit to the previous menu.

A S Label      Displaying      1 to      3 of      3                               Key type
-----
. - KEY.1                                DATA
. A KEY.2                                EXPORTER
. - KEY.3                                IMPORTER

COMMAND ==>
```

Figure 127. CKDS KEYS List panel for KDSR format CKDS

2. On the CKDS KEYS List panel, specify A in the 'A' column next to the label or labels you want to archive.

```
CSFBRC1 ----- ICSF - CKDS KEYS List ----- Row 1 to 3 of 3
Active CKDS: CSF.CKDS                               Keys: 100007
Action characters: A, D, K, M, P, R See the help panel for details.
Status characters: - Active   A Archived   I Inactive

Select the records to be processed and press ENTER
When the list is incomplete and you want to see more labels, press ENTER
Press END to return to the previous menu

A S Label      Displaying 1      to 3      of 3                               Key Type
-----
A - KEY.1                                DATA
_ A KEY.2                                EXPORTER
_ - KEY.3                                IMPORTER

COMMAND ==>
```

Figure 128. Select the CKDS records to archive

3. When you press ENTER, the Record Archive Confirmation panel is displayed for every record that is selected to be archived. If you want to archive this record, press ENTER. If you do not want to archive this record, press END. If you select the option 'Set record archive confirmation off', all remaining records are confirmed and archived.

```

CSFBRA00 ----- ICSF - Record Archive Confirmation -----
COMMAND ==>

Record label to be archived:
KEY.1                                     DATA

Enter "/" to select option
_ Set record archive confirmation off

Press ENTER to confirm archive
Press END to return to the previous menu

```

Figure 129. Record Archive Confirmation panel

- Every record that you confirmed is archived.

```

CSFBRCK1 ----- ICSF - CKDS KEYS List ----- RECORDS CHANGED

Active CKDS: CSF.CKDS                               Keys: 100007

Action characters: A, D, K, M, P, R See the help panel for details.
Status characters: - Active  A Archived  I Inactive

Select the records to be processed and press ENTER
When the list is incomplete and you want to see more labels, press ENTER
Press END to return to the previous menu

A S Label      Displaying 1      to 3      of 3      Key Type
-----
_ A KEY.1      DATA
_ A KEY.2      EXPORTER
_ - KEY.3      IMPORTER

COMMAND ==>

```

Figure 130. CKDS KEYS List panel with archived records

## Using the CKDS Key Attributes and Metadata panel

**Note:** This procedure can also be used with the CKDS Record Metadata panel.

- On the CKDS KEYS panel, specify a label in the label field and select option 5, Display the key attributes and record metadata for a record. The CKDS Key Attributes and Metadata panel appears.

```

CSFBRCK2 ----- ICSF - CKDS Key Attributes and Metadata -----
Active CKDS: CSF.CKDS
Label: KEY.3                                     IMPORTER
Record status: Active          (Archived, Active, Pre-active, Deactivated)
Select an action: _
  1 Modify one or more fields with the new values specified
  2 Delete the record
-----
Metadata
Record creation date:      YYYYMMDD          YYYYMMDD
Update date:              20130609
Cryptoperiod start date:  00000000          New value: -----
Cryptoperiod end date:    00000000          New value: -----
Date the record was last used: 20140204      New value: -----
Service called when last used: CSFKIM
Date the record was recalled: 00000000
Date the record was archived: 00000000
Archived flag:            FALSE             New value: -----
Prohibit archive flag:    FALSE             New value: -----

Key Attributes
Algorithm:      DES          Key type:      IMPORTER
Length (bits): 128          Key check value: 5BA1CB  ENC-ZERO
Key Usage:     GEN-IMEX GEN-OPIM GEN-IMIM IMPORT

Key Management: WRAP-ECB XPORT-OK T31XPTOK NOCMPTAG

Key Name:

Press ENTER to process
Press END to return to the previous panel

COMMAND ==>

```

Figure 131. CKDS Key Attributes and Metadata panel for KDSR format CKDS

2. Change the Archived flag to True, enter 1 on the 'Select an action' line, and press ENTER.



```

CSFBRCK2 ----- ICSF - CKDS Key Attributes and Metadata -----
Active CKDS: CSF.CKDS
Label: KEY.3                                     IMPORTER
Record status: Active          (Archived, Active, Pre-active, Deactivated)
Select an action: 1
  1 Modify one or more fields with the new values specified
  2 Delete the record
-----
Metadata
Record creation date:      YYYYMMDD          YYYYMMDD
Update date:              20130609
Cryptoperiod start date:  00000000          New value: _____
Cryptoperiod end date:    00000000          New value: _____
Date the record was last used: 20140204      New value: _____
Service called when last used: CSFKIM
Date the record was recalled: 00000000
Date the record was archived: 00000000
Archived flag:            FALSE              New value: TRUE__
Prohibit archive flag:    FALSE              New value: _____

Key Attributes
Algorithm:      DES          Key type:      IMPORTER
Length (bits): 128          Key check value: 5BA1CB  ENC-ZERO
Key Usage:     GEN-IMEX GEN-OPIM GEN-IMIM IMPORT

Key Management: WRAP-ECB XPORT-OK T31XPTOK NOCMPTAG

Key Name:

Press ENTER to process
Press END to return to the previous panel

COMMAND ==>

```

Figure 132. Selecting to archive the CKDS record

3. The Archived flag is True and the Record status is changed to Archived. The 'Update date' and 'Date the record was archived' are also changed.

```

CSFBRCK2 ----- ICSF - CKDS Key Attributes and Metadata -----
Active CKDS: CSF.CKDS
Label: KEY.3                                     IMPORTER
Record status: Archived      (Archived, Active, Pre-active, Deactivated)
Select an action: _
  1 Modify one or more fields with the new values specified
  2 Delete the record
-----
Metadata
Record creation date:      YYYYMMDD      YYYYMMDD
Update date:              20130609
Cryptoperiod start date:  00000000      New value: -----
Cryptoperiod end date:    00000000      New value: -----
Date the record was last used: 20140204      New value: -----
Service called when last used: CSFKIM
Date the record was recalled: 00000000
Date the record was archived: 20170801
Archived flag:            TRUE           New value: -----
Prohibit archive flag:    FALSE          New value: -----

Key Attributes
Algorithm:      DES           Key type:      IMPORTER
Length (bits): 128          Key check value: 5BA1CB      ENC-ZERO
Key Usage:     GEN-IMEX GEN-OPIM GEN-IMIM IMPORT

Key Management: WRAP-ECB XPORT-OK T31XPTOK NOCMPTAG

Key Name:

Press ENTER to process
Press END to return to the previous panel

COMMAND ==>

```

Figure 133. The CKDS record is archived

## Changing the cryptoperiod of a record in a KDSR format CKDS

There are two ways that you can set, change, or delete a cryptoperiod date of a record:

- [“Using the CKDS Key Attributes and Metadata panel” on page 296.](#)
- [“Using the CKDS Record Metadata panel” on page 299.](#)

### Using the CKDS Key Attributes and Metadata panel

1. On the CKDS KEYS panel, specify the full label of a record in the label field and select option 5, Display the key attributes and record metadata for a record. The CKDS Key Attributes and Metadata panel appears.

```

CSFBRCK2 ----- ICSF - CKDS Key Attributes and Metadata -----
Active CKDS: CSF.CKDS
Label: KEY.3                                     IMPORTER
Record status: Active          (Archived, Active, Pre-active, Deactivated)
Select an action: _
  1 Modify one or more fields with the new values specified
  2 Delete the record
-----
Metadata
Record creation date:      YYYYMMDD          YYYYMMDD
Update date:              20130609
Cryptoperiod start date:  00000000          New value: -----
Cryptoperiod end date:    00000000          New value: -----
Date the record was last used: 20140204      New value: -----
Service called when last used: CSFKIM
Date the record was recalled: 00000000
Date the record was archived: 00000000
Archived flag:            FALSE             New value: -----
Prohibit archive flag:    FALSE             New value: -----

Key Attributes
Algorithm:      DES          Key type:      IMPORTER
Length (bits): 128          Key check value: 5BA1CB  ENC-ZERO
Key Usage:     GEN-IMEX GEN-OPIM GEN-IMIM IMPORT

Key Management: WRAP-ECB XPORT-OK T31XPTOK NOCMPTAG

Key Name:

Press ENTER to process
Press END to return to the previous panel

COMMAND ===>

```

Figure 134. CKDS Key Attributes and Metadata panel for KDSR format CKDS

2. In the Cryptoperiod start date and the Cryptoperiod end date fields, enter the new value that you want for these dates. To set the date, enter a value in the YYYYMMDD format. To delete the date, enter a value of all zeros. The end date must be today's date or a date in the future. The start date must be a date that occurs before the end date. The earliest valid date is January 1, 1900, and the latest valid date is June 4, 2185.

**Note:** The Date the record was last used field is set in the same manner as the cryptoperiod dates.

```

CSFBRCK2 ----- ICSF - CKDS Key Attributes and Metadata -----
Active CKDS: CSF.CKDS
Label: KEY.3                                     IMPORTER
Record status: Active          (Archived, Active, Pre-active, Deactivated)
Select an action: 1
  1 Modify one or more fields with the new values specified
  2 Delete the record
-----
Metadata
Record creation date:      YYYYMMDD          YYYYMMDD
Update date:              20130609
Cryptoperiod start date:  00000000          New value: 20170101
Cryptoperiod end date:    00000000          New value: 20181231
Date the record was last used: 20140204      New value: -----
Service called when last used: CSFKIM
Date the record was recalled: 00000000
Date the record was archived: 00000000
Archived flag:            FALSE              New value: -----
Prohibit archive flag:    FALSE              New value: -----

Key Attributes
Algorithm:      DES          Key type:      IMPORTER
Length (bits): 128          Key check value: 5BA1CB    ENC-ZERO
Key Usage:      GEN-IMEX GEN-OPIM GEN-IMIM IMPORT

Key Management: WRAP-ECB XPORT-OK T31XPTOK NOCMPTAG

Key Name:

Press ENTER to process
Press END to return to the previous panel

COMMAND ==>

```

*Figure 135. New start date and new end date specified*

3. Enter 1 on the 'Select an action' line and press ENTER.
4. The record cryptoperiod start and end dates are updated.

```

CSFBRCK2 ----- ICSF - CKDS Key Attributes and Metadata -----
Active CKDS: CSF.CKDS
Label: KEY.3                                     IMPORTER
Record status: Active          (Archived, Active, Pre-active, Deactivated)
Select an action: _
  1 Modify one or more fields with the new values specified
  2 Delete the record
-----
Metadata
Record creation date:      YYYYMMDD          YYYYMMDD
                          20130609
Update date:              20170801
Cryptoperiod start date:  20170101          New value: -----
Cryptoperiod end date:    20181231          New value: -----
Date the record was last used: 20140204      New value: -----
Service called when last used: CSFKIM
Date the record was recalled: 00000000
Date the record was archived: 00000000
Archived flag:            FALSE             New value: -----
Prohibit archive flag:    FALSE             New value: -----

Key Attributes
Algorithm:      DES          Key type:      IMPORTER
Length (bits): 128         Key check value: 5BA1CB   ENC-ZERO
Key Usage:     GEN-IMEX GEN-OPIM GEN-IMIM IMPORT

Key Management: WRAP-ECB XPORT-OK T31XPTOK NOCMPTAG

Key Name:

Press ENTER to process
Press END to return to the previous panel

COMMAND ==>

```

Figure 136. Record cryptoperiod dates are updated

## Using the CKDS Record Metadata panel

1. On the CKDS KEYS panel, select either option 1, 2, 3, or 4 to list and manage records. The CKDS KEYS List panel appears.

```

CSFBRCK1 ----- ICSF - CKDS KEYS List ----- Row 1 to 3 of 3
Active CKDS: CSF.CKDS                               Keys: 100007
Action characters: A, D, K, M, P, R See the help panel for details.
Status characters: - Active   A Archived   I Inactive

Select the records to be processed and press ENTER.
When the list is incomplete and you want to see more labels, press ENTER.
Press END to exit to the previous menu.

A S Label          Displaying 1 to 3 of 3                               Key type
-----
. - KEY.1          DATA
. A KEY.2          EXPORTER
. - KEY.3          IMPORTER

COMMAND ==>

```

Figure 137. CKDS KEYS List panel for KDSR format CKDS

2. On the CKDS KEYS List panel, specify M in the 'A' column next to the label or labels you want to view the metadata. You can select as many labels as you want.

```

CSFBRCK1 ----- ICSF - CKDS KEYS List ----- Row 1 to 3 of 3
Active CKDS: CSF.CKDS                               Keys: 100007

Action characters: A, D, K, M, P, R See the help panel for details.
Status characters: - Active   A Archived   I Inactive

Select the records to be processed and press ENTER
When the list is incomplete and you want to see more labels, press ENTER
Press END to return to the previous menu

A S Label      Displaying 1      to 3      of 3      Key Type
-----
_ - KEY.1      DATA
_ A KEY.2      EXPORTER
M - KEY.3      IMPORTER

COMMAND ==>>>

```

Figure 138. Select the CKDS records to view metadata

- When you press ENTER, the CKDS Record Metadata panel is displayed for each record selected.

```

CSFBRCK3 ----- ICSF - CKDS Record Metadata -----
Active CKDS: CSF.CKDS
Label: KEY.3                                         IMPORTER

Record status: Active      (Archived, Active, Pre-active, Deactivated)

Select an action: _
  1 Modify one or more fields with the new values specified
  2 Delete the record
-----
Record creation date:      YYYYMMDD      YYYYMMDD
                          20130609
Update date:              20170801
Cryptoperiod start date:  20170101      New value: -----
Cryptoperiod end date:    20181231      New value: -----
Date the record was last used: 20140204  New value: -----
Service called when last used: CSFKIM
Date the record was recalled: 00000000
Date the record was archived: 00000000
Archived flag:            FALSE      New value: -----
Prohibit archive flag:    FALSE      New value: -----

Press ENTER to process
Press END to return to the previous panel

COMMAND ==>>>

```

Figure 139. CKDS Record Metadata panel for KDSR format CKDS

- In the Cryptoperiod start date and the Cryptoperiod end date fields, enter the new value that you want for these dates. To set the date, enter a value in the YYYYMMDD format or enter a value of all zeros if you want this field to have no date. The end date must be today's date or a date in the future. The start date must be a date that occurs before the end date. The earliest valid date is January 1, 1900, and the latest valid date is June 4, 2185.

**Note:** The Date the record was last used field is set in the same manner as the cryptoperiod dates.

```

CSFBRCK3 ----- ICSF - CKDS Record Metadata -----
Active CKDS: CSF.CKDS
Label: KEY.3                                     IMPORTER
Record status: Active          (Archived, Active, Pre-active, Deactivated)
Select an action: 1
  1 Modify one or more fields with the new values specified
  2 Delete the record
-----
Record creation date:          YYYYMMDD          YYYYMMDD
                             20130609
Update date:                  20170801
Crypto period start date:     20170101          New value: 20170201
Crypto period end date:       20181231          New value: 00000000
Date the record was last used: 20140204          New value: 00000000
Service called when last used: CSFKIM
Date the record was recalled: 00000000
Date the record was archived: 00000000
Archived flag:                FALSE             New value: -----
Prohibit archive flag:        FALSE             New value: -----

Press ENTER to process
Press END to return to the previous panel

COMMAND ==>

```

Figure 140. New start date and new end date specified

5. Enter 1 on the 'Select an action' line and press ENTER.
6. The record metadata start and end dates are updated.

```

CSFBRCK3 ----- ICSF - CKDS Record Metadata -----
Active CKDS: CSF.CKDS
Label: KEY.3                                     IMPORTER
Record status: Active          (Archived, Active, Pre-active, Deactivated)
Select an action: _
  1 Modify one or more fields with the new values specified
  2 Delete the record
-----
Record creation date:          YYYYMMDD          YYYYMMDD
                             20130609
Update date:                  20170803
Crypto period start date:     20170201          New value: -----
Crypto period end date:       00000000          New value: -----
Date the record was last used: 00000000          New value: -----
Service called when last used: CSFKIM
Date the record was recalled: 00000000
Date the record was archived: 00000000
Archived flag:                FALSE             New value: -----
Prohibit archive flag:        FALSE             New value: -----

Press ENTER to process
Press END to return to the previous panel

COMMAND ==>

```

Figure 141. Record metadata dates are updated

## Deleting a record from a KDSR format CKDS

There are three ways to delete a record.

- [“Using the CKDS KEYS panel” on page 302.](#)
- [“Using the CKDS KEYS List panel” on page 302.](#)
- [“Using the CKDS Key Attributes and Metadata panel” on page 304.](#)

## Using the CKDS KEYS panel

1. On the CKDS KEYS panel, specify the full label of a record in the label field and select option 6. The record is deleted from the CKDS.

```
CSFBRC00 ----- ICSF - CKDS KEYS -----
Active CKDS: CSF.CKDS                               Keys: 100007

Enter the number of the desired option.

 1 List and manage all records
 2 List and manage records with label key type _____ leave blank for
                                                                list, see help
 3 List and manage records that are _____ (ACTIVE, INACTIVE, ARCHIVED)
 4 List and manage records that contain unsupported CCA keys
 5 Display the key attributes and record metadata for a record
 6 Delete a record
 7 Generate AES DATA keys

Full or partial record label
==> KEY.1-----
The label may contain up to seven wild cards (*)

Number of labels to display ==> 100 (maximum 100)

Press ENTER to process the selected option.
Press END to exit to the previous menu.

OPTION ==> 6
```

Figure 142. CKDS KEYS panel for KDSR format CKDS

2. When you press ENTER, the confirmation panel is displayed. If you want to delete this record, press ENTER. If you do not want to delete this record, press END. If you select the option 'Set record delete confirmation off', the Record Delete Confirmation panel is not displayed to delete additional records until you leave the CKDS KEYS panel.

```
CSFBRA00 ----- ICSF - Record Delete Confirmation -----
COMMAND ==>

Record label to be deleted:
KEY.1

Enter "/" to select option
_ Set record delete confirmation off

Press ENTER to confirm archive.
Press END to return to the previous panel.
```

Figure 143. Record Delete Confirmation panel

## Using the CKDS KEYS List panel

1. On the CKDS KEYS panel, select either option 1, 2, 3, or 4 to list and manage records. The CKDS KEYS List panel appears.



```

CSFBRC1K1 ----- ICSF - CKDS KEYS List ----- Row 1 to 3 of 3
Active CKDS: CSF.CKDS                               Keys: 100007

Action characters: A, D, K, M, P, R See the help panel for details.
Status characters: - Active  A Archived  I Inactive

Select the records to be processed and press ENTER
When the list is incomplete and you want to see more labels, press ENTER
Press END to return to the previous menu

A S Label      Displaying 1      to 3      of 3      Key Type
-----
_ A KEY.1      DATA
_ A KEY.2      EXPORTER
_ - KEY.3      IMPORTER

COMMAND ==>>>

```

Figure 144. CKDS KEYS List panel for KDSR format CKDS

2. On the CKDS KEYS List panel, specify D in the 'A' column next to the records you want to delete. You can select as many labels as you want.

```

CSFBRC1K1 ----- ICSF - CKDS KEYS List ----- Row 1 to 3 of 3
Active CKDS: CSF.CKDS                               Keys: 100007

Action characters: A, D, K, M, P, R See the help panel for details.
Status characters: - Active  A Archived  I Inactive

Select the records to be processed and press ENTER
When the list is incomplete and you want to see more labels, press ENTER
Press END to return to the previous menu

A S Label      Displaying 1      to 3      of 3      Key Type
-----
D A KEY.1      DATA
_ A KEY.2      EXPORTER
_ - KEY.3      IMPORTER

COMMAND ==>>>

```

Figure 145. Select the CKDS records to delete

3. When you press ENTER, the Record Delete Confirmation panel is displayed for every record that is selected to be deleted. If you want to delete this record, press ENTER. If you do not want to delete this record, press END. If you select the option 'Set record delete confirmation off', the Record Delete Confirmation panel is not displayed and all remaining records to be deleted are confirmed.

```

CSFBRA00 ----- ICSF - Record Delete Confirmation -----
COMMAND ==>>>

Record label to be deleted:
KEY.1                               DATA

Enter "/" to select option
_ Set record delete confirmation off

Press ENTER to confirm delete
Press END to return to the previous menu

```

Figure 146. Record Delete Confirmation panel

4. Each record that you confirmed is deleted. The number of keys count is not updated until you exit to the previous panel.

```

CSFBRCK1 ----- ICSF - CKDS KEYS List ----- RECORDS DELETED
Active CKDS: CSF.CKDS                               Keys: 100007

Action characters: A, D, K, M, P, R See the help panel for details.
Status characters: - Active   A Archived   I Inactive

Select the records to be processed and press ENTER
When the list is incomplete and you want to see more labels, press ENTER
Press END to return to the previous menu

A S Label      Displaying 1      to 3      of 3      Key Type
-----
_ <Record deleted>
_ A KEY.2      EXPORTER
_ - KEY.3      IMPORTER

COMMAND ==>>

```

Figure 147. CKDS KEYS List panel with deleted records

## Using the CKDS Key Attributes and Metadata panel

This procedure can be used with the CKDS Record Metadata panel.

1. On the CKDS KEYS panel, specify the full label of a record in the label field and select option 5, Display the key attributes and record metadata for a record. The CKDS Key Attributes and Metadata panel appears.

```

CSFBRCK2 ----- ICSF - CKDS Key Attributes and Metadata -----
Active CKDS: CSF.CKDS

Label: KEY.3                                          IMPORTER

Record status: Active      (Archived, Active, Pre-active, Deactivated)

Select an action: _
  1 Modify one or more fields with the new values specified
  2 Delete the record
-----
Metadata          YYYYMMDD          YYYYMMDD
Record creation date: 20130609
Update date:       20170803
Cryptoperiod start date: 20170201      New value: -----
Cryptoperiod end date:  00000000      New value: -----
Date the record was last used: 00000000  New value: -----
Service called when last used: CSFKIM
Date the record was recalled: 00000000
Date the record was archived: 00000000
Archived flag:      FALSE           New value: -----
Prohibit archive flag: FALSE       New value: -----

Key Attributes
Algorithm:  DES           Key type:  IMPORTER
Length (bits): 128       Key check value: 5BA1CB  ENC-ZERO
Key Usage:  GEN-IMEX GEN-OPIM GEN-IMIM IMPORT

Key Management: WRAP-ECB XPORT-OK T31XPTOK NOCMPTAG

Key Name:

Press ENTER to process
Press END to return to the previous panel

COMMAND ==>>

```

Figure 148. CKDS Key Attributes and Metadata panel for KDSR format CKDS

2. Enter 2 on the 'Select an action' line to delete the record and press ENTER.

```

CSFBRCK2 ----- ICSF - CKDS Key Attributes and Metadata -----
Active CKDS: CSF.CKDS
Label: KEY.3                                     IMPORTER
Record status: Active          (Archived, Active, Pre-active, Deactivated)
Select an action: 2
  1 Modify one or more fields with the new values specified
  2 Delete the record
-----
Metadata
Record creation date:      YYYYMMDD          YYYYMMDD
Update date:              20130609          20170803
Cryptoperiod start date:  20170201          New value: -----
Cryptoperiod end date:    00000000          New value: -----
Date the record was last used: 00000000    New value: -----
Service called when last used: CSFKIM
Date the record was recalled: 00000000
Date the record was archived: 00000000
Archived flag:            FALSE             New value: -----
Prohibit archive flag:    FALSE             New value: -----

Key Attributes
Algorithm:                DES               Key type:          IMPORTER
Length (bits):           128               Key check value:  5BA1CB      ENC-ZERO
Key Usage:               GEN-IMEX GEN-OPIM GEN-IMIM IMPORT

Key Management: WRAP-ECB XPORT-OK T31XPTOK NOCMPTAG

Key Name:

Press ENTER to process
Press END to return to the previous panel

COMMAND ==>

```

Figure 149. Selecting to delete this record

- When you press ENTER, the confirmation panel is displayed for every record that is selected to be deleted. If you want to delete this record, press ENTER. If you do not want to delete this record, press END.

```

CSFBRA10 ----- ICSF - Record Delete Confirmation -----
COMMAND ==>

Record label to be deleted:
  KEY.3                                     IMPORTER

Press ENTER to confirm archive.
Press END to return to the previous panel.

```

Figure 150. Record Delete Confirmation panel

- After you confirm the deletion, you return to the previous panel.

## Displaying a list of records from a KDSR format CKDS

There are several options on the CKDS KEYS panel to list records in the CKDS.

- Use the 'label key type' field to get a subset of the records in the CKDS. If the label key type field is blank, all records are listed.
- Use the 'number of labels to display' field to limit the number of labels that appear on the list panel. The value can be up to 100. After all action characters have been processed, the next set of labels are displayed by pressing ENTER.

**Note:** The list of labels is generated and displayed. After all action characters are processed, the list is displayed refreshed. Some of the actions are reflected in the updated list. The number of labels in the list does not change.

When you scroll up or down and there are action characters in the action column, the action characters are saved and cleared from the panel. The requests are processed the next time that you press ENTER.

To list records in a KDSR format CKDS from the CSFBRCK0 panel:

- Select option 1, List and manage all records, to display all records in the CKDS that match the label filter. To list all records, put a single wild card in the filter.
- Select option 2, List and manage records with label key type, to get a subset of the records in the CKDS that match the key type specified. Valid key type values are:

**ADATA**

DES ANSI X9.17 DATA keys (deprecated).

**AKEK**

DES ANSI X9.17 key-encrypting keys (deprecated).

**CIPHER**

AES and DES data-encrypting keys.

**CIPHERXI**

DES ciphertext translation keys (inbound).

**CIPHERXL**

DES ciphertext translation keys.

**CIPHERXO**

DES ciphertext translation keys (outbound).

**CV**

DES keys with key type listed as CV in the CKDS. Key types include: CIPHER, CIPHERXI, CIPHERXL, CIPHERXO, CVARDEC, CVARENC, CVARPINE, CVARXCVL, CVARXCVR, DATAC, DATAM, DATAMV, DECIPHER, DKYGENKY, ENCIPHER, IKEYXLAT, KEYGENKY, OKEYXLAT, and SECMSG.

**CVARENC**

DES Crypto-variable encrypting keys.

**CVARXCVL**

DES Crypto-variable translate keys (CV left).

**CVARXCVR**

DES Crypto-variable translate keys (CV right).

**DATA**

AES and DES DATA keys (encrypted and clear).

**DATAXLAT**

DES data-translation keys (deprecated).

**DECIPHER**

DES data-encrypting keys (decrypt only).

**DKYGENKY**

AES and DES diversified key-generating keys.

**ENCIPHER**

DES data-encrypting keys (encrypt only).

**EXPORTER**

AES and DES exporter key-encrypting keys.

**IKEYXLAT**

DES key-translation keys (inbound).

**IMPORTER**

AES and DES importer key-encrypting keys.

**IMP-PKA**

DES limited authority importer key-encrypting keys.

**IPINENC**

DES input PIN encrypting keys.

**KDKGENKY**

AES key diversification keys.

**MAC**

AES, DES, and HMAC MAC keys.

**MACD**

DES double-length MAC key (DATAM).

**MACVER**

DES and HMAC MAC verification keys.

**NULL**

Records with no key material.

**OKEYXLAT**

DES key-translation keys (outbound).

**OPINENC**

DES output PIN encrypting keys.

**PINGEN**

DES PIN generation keys.

**PINCALC**

AES PIN calculation keys.

**PINPROT**

AES PIN protection keys.

**PINPRW**

AES PIN reference value keys.

**PINVER**

DES PIN verification keys.

**SECMSG**

AES and DES secure messaging keys.

- Select option 3, List and manage records that are either ACTIVE, INACTIVE, or ARCHIVED:

**ACTIVE**

All records that are not archived or inactive.

**INACTIVE**

All records that not active or archived. For example, the cryptoperiod start date is in the future or the cryptoperiod end date is in the past.

**ARCHIVED**

All records with the archived flag enabled.

- Select option 4, List and manage records that contain unsupported CCA keys, to manage keys that are no longer supported by ICSF.

**Note:** This option is similar to the ICSF\_UNSUPPORTED\_CCA\_KEYS health check introduced in ICSF FMID HCR77C0.

**DES DATAXLAT keys**

Used with the CSNBCTT service.

**DES ANSI X9.17 keys**

Used with the ANSI X9.17 services.

**System keys**

These are keys that were used internally on systems with the Cryptographic Coprocessor Feature (CCF). These keys are no longer used except for the SYSTEM MAC key, which is used for record authentication for fixed-length format CKDS. System keys cannot be deleted by using CSNBKRD. The CKDS Keys utility allows you to manage these keys like any other operational key.

- Enter a label filter, if desired, set the number of labels to be listed, and press ENTER. The CKDS KEYS List panel appears and shows the active CKDS, the number of keys in the CKDS at the time the panel is displayed, and a list of labels matching the label filter that you provided.

```

CSFBRC1 ----- ICSF - CKDS KEYS List ----- Row 1 to 3 of 3
Active CKDS: CSF.CKDS                               Keys: 100007
Action characters: A, D, K, M, P, R See the help panel for details.
Status characters: - Active   A Archived   I Inactive

Select the records to be processed and press ENTER.
When the list is incomplete and you want to see more labels, press ENTER.
Press END to exit to the previous menu.

A S Label           Displaying 1 to 3 of 3                               Key type
-----
. - KEY.1           DATA
. A KEY.2           EXPORTER
. A KEY.3
IMPORTER

COMMAND ==>

```

Figure 151. CKDS KEYS List panel for KDSR format CKDS

The status of the record is displayed in the 'S' column. The action characters are:

**A**

Archive the record. For more information, see [“Archiving a record in a KDSR format CKDS”](#) on page 292.

**D**

Delete the record. For more information, see [“Deleting a record from a KDSR format CKDS”](#) on page 301.

**K**

Display key attributes and record metadata. For more information, see [“Displaying the attributes of a key in a KDSR format CKDS”](#) on page 308.

**M**

Display record metadata. For more information, see [“Displaying the metadata of a record from a KDSR format CKDS”](#) on page 311.

**P**

Prohibit archive. For more information, see [“Prohibiting the archival of a record in a KDSR format CKDS”](#) on page 316.

**R**

Recall the record. For more information, see [“Recalling a record in a KDSR format CKDS”](#) on page 321.

- When you press ENTER,
  - If there are action characters in the action column, the requests are processed and the list is refreshed with the completed actions.
  - If there are no action characters, the next set of labels that match the label filter are displayed if applicable.

When you scroll up or down and there are action characters in the action column, the action characters are saved and cleared from the panel. The requests are processed the next time that you press ENTER.

## Displaying the attributes of a key in a KDSR format CKDS

There are two ways to see the detail of a cryptographic key:

- [“Using the CKDS KEYS panel”](#) on page 309.
- [“Using the CKDS KEYS List panel”](#) on page 310.

## Using the CKDS KEYS panel

1. On the CKDS KEYS panel, specify the full label of a record in the label field and select option 5, Display the key attributes and record metadata for a record.

```
CSFBRCK0 ----- ICSF - CKDS KEYS -----
Active CKDS: CSF.CKDS                               Keys: 100007

Enter the number of the desired option.
 1 List and manage all records
 2 List and manage records with label key type      leave blank for
                                                    list, see help
 3 List and manage records that are                (ACTIVE, INACTIVE, ARCHIVED)
 4 List and manage records that contain unsupported CCA keys
 5 Display the key attributes and record metadata for a record
 6 Delete a record
 7 Generate AES DATA keys

Full or partial record label
==> KEY.3
The label may contain up to seven wild cards (*)

Number of labels to display ==> 100 (Maximum 100)

Press ENTER to go to the selected option.
Press END  to exit to the previous menu.

OPTION ==> 5
```

Figure 152. CKDS KEYS panel for KDSR format CKDS

2. When you press ENTER, the CKDS Key Attributes and Metadata panel appears.

```
CSFBRCK2 ----- ICSF - CKDS Key Attributes and Metadata -----
Active CKDS: CSF.CKDS

Label: KEY.3                                         IMPORTER

Record status: Active                               (Archived, Active, Pre-active, Deactivated)

Select an action: _
 1 Modify one or more fields with the new values specified
 2 Delete the record
-----
Metadata
Record creation date:      YYYYMMDD                YYYYMMDD
                          20130609
Update date:               20170803
Cryptoperiod start date:  20170201      New value: -----
Cryptoperiod end date:    00000000      New value: -----
Date the record was last used: 00000000      New value: -----
Service called when last used: CSFKIM
Date the record was recalled: 00000000
Date the record was archived: 00000000
Archived flag:            FALSE          New value: -----
Prohibit archive flag:    FALSE          New value: -----

Key Attributes
Algorithm:    DES          Key type:      IMPORTER
Length (bits): 128        Key check value: 5BA1CB  ENC-ZERO
Key Usage:    GEN-IMEX GEN-OPIM GEN-IMIM IMPORT

Key Management: WRAP-ECB XPORT-OK T31XPTOK NOCMPTAG

Key Name:

Press ENTER to process
Press END to return to the previous panel

COMMAND ==>
```

Figure 153. CKDS Key Attributes and Metadata panel for KDSR format CKDS

## Using the CKDS KEYS List panel

1. On the CKDS KEYS panel, select option 1, 2, 3, or 4 to list and manage records.

```
CSFBRC00 ----- ICSF - CKDS KEYS -----
Active CKDS: CSF.CKDS                               Keys: 100007

Enter the number of the desired option.

  1 List and manage all records
  2 List and manage records with label key type _____ leave blank for
                                     list, see help
  3 List and manage records that are _____ (ACTIVE, INACTIVE, ARCHIVED)
  4 List and manage records that contain unsupported CCA keys
  5 Display the key attributes and record metadata for a record
  6 Delete a record
  7 Generate AES DATA keys

Full or partial record label
==> KEY.*-----
The label may contain up to seven wild cards (*)

Number of labels to display ==> 100 (maximum 100)

Press ENTER to process the selected option.
Press END to exit to the previous menu.

OPTION ==> 1
```

Figure 154. CKDS KEYS panel for KDSR format CKDS

2. When you press ENTER, the CKDS KEYS List panel appears.

```
CSFBRC11 ----- ICSF - CKDS KEYS List ----- Row 1 to 3 of 3
Active CKDS: CSF.CKDS                               Keys: 100007

Action characters: A, D, K, M, P, R See the help panel for details.
Status characters: - Active   A Archived   I Inactive

Select the records to be processed and press ENTER.
When the list is incomplete and you want to see more labels, press ENTER.
Press END to exit to the previous menu.

A S Label          Displaying 1 to 3 of 3                               Key type
-----
. - KEY.1          DATA
. A KEY.2          EXPORTER
K - KEY.3
IMPORTER

COMMAND ==>
```

Figure 155. CKDS KEYS List panel for KDSR format CKDS

3. On the CKDS KEYS List panel, specify K in the 'A' column next to the labels you want to see the key attributes. You can select as many labels as you want. When you press ENTER, the CKDS Key Attributes and Metadata panel appears.



```

CSFBRCK2 ----- ICSF - CKDS Key Attributes and Metadata -----
Active CKDS: CSF.CKDS
Label: KEY.3                                     IMPORTER
Record status: Active          (Archived, Active, Pre-active, Deactivated)
Select an action: _
  1 Modify one or more fields with the new values specified
  2 Delete the record
-----
Metadata
Record creation date:          YYYYMMDD          YYYYMMDD
Update date:                   20130609          20170803
Cryptoperiod start date:      20170201          New value: -----
Cryptoperiod end date:        00000000          New value: -----
Date the record was last used: 00000000          New value: -----
Service called when last used: CSFKIM
Date the record was recalled:  00000000
Date the record was archived:  00000000
Archived flag:                 FALSE           New value: -----
Prohibit archive flag:         FALSE           New value: -----

Key Attributes
Algorithm:      DES           Key type:      IMPORTER
Length (bits): 128           Key check value: 5BA1CB   ENC-ZERO
Key Usage:      GEN-IMEX GEN-OPIM GEN-IMIM IMPORT

Key Management: WRAP-ECB XPORT-OK T31XPTOK NOCMPTAG

Key Name:

Press ENTER to process
Press END to return to the previous panel

COMMAND ==>>>

```

Figure 156. CKDS Key Attributes and Metadata panel for the KDSR format of the CKDS

## Displaying the metadata of a record from a KDSR format CKDS

There are two ways to display the metadata of a record:

- “Using the CKDS KEYS panel” on page 312.
- “Using the CKDS KEYS List panel” on page 313.

On the CKDS Key Attributes and Metadata and the CKDS Metadata panels, the following metadata is displayed:

- The record creation date and the last date the record was updated. If the record has not been updated, the field is zeros.
- The cryptoperiod's start and end dates. If the cryptoperiod dates are not set, the field is zeros.
- If you have key usage tracking enabled, the date the record was last used and the service that is called are displayed. Otherwise, these fields are zeros or blank.
- If the record has been recalled, the date that the record was recalled is displayed. Otherwise, the field is zeros. Note that the archive date is cleared when a record is recalled.
- If the record has been archived, the date that the record was archived is displayed. Otherwise, the field is zeros.
- The current value of the Archived flag is displayed.
- The current value of the Prohibit archived flag is displayed.

There are several fields that can be updated on the panels:

- The cryptoperiod's start and end dates can be updated. The end date must be today's date or a date in the future. The start date must be a date that occurs before the end date. The earliest valid start date is January 1, 1900, and the latest valid start date is June 4, 2185.

- The date that the record was last used can be updated. Set this date to zeros to clear the value or set to any date in the past.
- The Archived flag can be enabled or disabled.
- The Prohibit Archive flag can be enabled or disabled.

**Note:** Setting the Archived flag to true causes ICSF to not allow the key to be used. Services trying to use the key fail. Setting the Prohibit archive flag to true causes ICSF to not allow the record to be archived. If the record is archived, the Prohibit archive flag cannot be set to true.

## Using the CKDS KEYS panel

1. On the CKDS KEYS panel, specify the full label of a record in the label field and select option 5, Display the key attributes and record metadata for a record.

```

CSFBRC00 ----- ICSF - CKDS KEYS -----
Active CKDS: CSF.CKDS                               Keys: 100007
Enter the number of the desired option.

  1 List and manage all records
  2 List and manage records with label key type _____ leave blank for
                                                                list, see help
  3 List and manage records that are _____ (ACTIVE, INACTIVE, ARCHIVED)
  4 List and manage records that contain unsupported CCA keys
  5 Display the key attributes and record metadata for a record
  6 Delete a record
  7 Generate AES DATA keys

Full or partial record label
==> KEY.1-----
The label may contain up to seven wild cards (*)

Number of labels to display ==> 100   (maximum 100)

Press ENTER to process the selected option.
Press END to exit to the previous menu.

OPTION ==> 5

```

*Figure 157. CKDS KEYS panel for KDSR format CKDS*

2. When you press ENTER, the CKDS Key Attributes and Metadata panel appears.

```

CSFBRCK2 ----- ICSF - CKDS Key Attributes and Metadata -----
Active CKDS: CSF.CKDS
Label: KEY.1                                     DATA
Record status: Active          (Archived, Active, Pre-active, Deactivated)
Select an action: _
  1 Modify one or more fields with the new values specified
  2 Delete the record
-----
Metadata                YYYYMMDD                YYYYMMDD
Record creation date:   20170818
Update date:           20170818
Cryptoperiod start date: 20170818      New value: -----
Cryptoperiod end date:  20171231      New value: -----
Date the record was last used: 20170818  New value: -----
Service called when last used: CSFSYE
Date the record was recalled: 00000000
Date the record was archived: 00000000
Archived flag:         FALSE          New value: -----
Prohibit archive flag: FALSE          New value: -----

Key Attributes
Algorithm:             AES             Key type:          DATA
Length (bits):        128             Key check value:  B0840E      ENC-ZERO
Key Usage:             ENCIPHER DECIPHER

Key Management:

Key Name:

Press ENTER to process.
Press END  to exit to the previous menu.

COMMAND ==>

```

Figure 158. CKDS Key Attributes and Metadata panel for KDSR format CKDS

- Update the metadata fields that you want to change, enter 1 on the 'Select an action' line, and press ENTER. The CKDS Key Attributes and Metadata panel displays the new values.

## Using the CKDS KEYS List panel

- On the CKDS KEYS panel, select option 1, 2, 3, or 4 to list and manage records.

```

CSFBRCK0 ----- ICSF - CKDS KEYS -----
Active CKDS: CSF.CKDS                               Keys: 100007
Enter the number of the desired option.

  1 List and manage all records
  2 List and manage records with label key type _____ leave blank for
                                                                list, see help
  3 List and manage records that are _____ (ACTIVE, INACTIVE, ARCHIVED)
  4 List and manage records that contain unsupported CCA keys
  5 Display the key attributes and record metadata for a record
  6 Delete a record
  7 Generate AES DATA keys

Full or partial record label
==> KEY.*-----
The label may contain up to seven wild cards (*)

Number of labels to display ==> 100 (maximum 100)

Press ENTER to process the selected option.
Press END to exit to the previous menu.

OPTION ==> 1

```

*Figure 159. CKDS KEYS panel for KDSR format CKDS*

2. When you press ENTER, the CKDS KEYS List panel appears.

```

CSFBRCK1 ----- ICSF - CKDS KEYS List ----- Row 1 to 3 of 3
Active CKDS: CSF.CKDS                               Keys: 100007
Action characters: A, D, K, M, P, R See the help panel for details.
Status characters: - Active   A Archived   I Inactive

Select the records to be processed and press ENTER.
When the list is incomplete and you want to see more labels, press ENTER.
Press END to exit to the previous menu.

A S Label          Displaying 1 to 3 of 3                               Key type
-----
M - KEY.1          DATA
. A KEY.2          EXPORTER
. I KEY.3
IMPORTER

COMMAND ==>

```

*Figure 160. CKDS KEYS List panel for KDSR format CKDS*

3. On the CKDS KEYS List panel, specify K or M in the 'A' column next to the labels you want to see the key attributes. You can select as many labels as you want.
  - When you specify the action character K and press ENTER, the CKDS Key Attributes and Metadata panel appears.
  - When you specify the action character M and press ENTER, the CKDS Metadata panel appears.

```

CSFBRCK3 ----- ICSF - CKDS Record Metadata -----
Active CKDS: CSF.CKDS
Label: KEY.1                                     DATA
Record status: Active          (Archived, Active, Pre-active, Deactivated)
Select an action: _
  1 Modify one or more fields with the new values specified
  2 Delete the record
-----

Record creation date:          YYYYMMDD          YYYYMMDD
                             20170818
Update date:                  20170818
Cryptoperiod start date:     20170818          New value: -----
Cryptoperiod end date:       20171231          New value: -----
Date the record was last used: 20170818          New value: -----
Service called when last used: CSFSYE
Date the record was recalled: 00000000
Date the record was archived: 00000000
Archived flag:                FALSE           New value: -----
Prohibit archive flag:        FALSE           New value: -----

Press ENTER to process.
Press END   to exit to the previous menu.

COMMAND ==>>

```

Figure 161. CKDS Key Attributes and Metadata panel for the KDSR format of the CKDS

- Update the metadata fields that you want to change, enter 1 on the 'Select an action' line, and press ENTER. The panel displays the new values.

## Generating an AES DATA key to a KDSR format CKDS

Use this option to generate an AES DATA key and store it in the CKDS. Existing keys can be overwritten if the key is an AES DATA key.

**Note:** The AES master key must be active to generate AES keys.

- On the CKDS KEYS panel, select option 7, Generate AES DATA keys.

```

CSFBRCK0 ----- ICSF - CKDS KEYS -----
Active CKDS: CSF.CKDS                               Keys: 100007
Enter the number of the desired option.

  1 List and manage all records
  2 List and manage records with label key type _____ leave blank for
                                                                list, see help
  3 List and manage records that are _____ (ACTIVE, INACTIVE, ARCHIVED)
  4 List and manage records that contain unsupported CCA keys
  5 Display the key attributes and record metadata for a record
  6 Delete a record
  7 Generate AES DATA keys

Full or partial record label
==> -----
The label may contain up to seven wild cards (*)

Number of labels to display ==> 100   (maximum 100)

Press ENTER to process the selected option.
Press END to exit to the previous menu.

OPTION ==>> 7

```

Figure 162. CKDS KEYS panel for KDSR format CKDS

- The CKDS Generate Key panel appears.

```

CSFBRC10 ----- ICSF - CKDS Generate Key -----
Active CKDS: CSF.CKDS
Enter the CKDS record label for the new AES DATA key
==>
AES key bit length:  _ 128  _ 192  _ 256
Press ENTER to process
Press END to return to the previous panel
COMMAND ==>

```

*Figure 163. CKDS Generate Key panel for KDSR format CKDS*

3. Specify the CKDS record label for the new AES DATA key, select the bit length for the key to be generated, and press ENTER.

```

CSFBRC10 ----- ICSF - CKDS Generate Key -----
Active CKDS: CSF.CKDS
Enter the CKDS record label for the new AES DATA key
==> KEY.4
AES key bit length:  _ 128  _ 192  S 256
Press ENTER to process
Press END to return to the previous panel
COMMAND ==>

```

*Figure 164. Generating a 256-bit key*

4. The key is generated and
  - If a record for the label does not exist, a new record is created and the generated key is stored in the CKDS.
  - If the record does exist and the current key is an AES DATA key, the Record Replace Confirmation panel appears.

```

CSFBRC11 ----- ICSF - Record Replace Confirmation -----
COMMAND ==>

Record label found in the CKDS:
KEY.4

Press ENTER to confirm replacement.
Press END to return to the previous menu

```

*Figure 165. Record replacement confirmation panel*

Press ENTER to replace the current entry with the new entry. If the record exists and the current key is not an AES DATA key, the request fails.

Press END to retain the current entry and return to the previous panel where you can specify a different key label.

## Prohibiting the archival of a record in a KDSR format CKDS

Set the 'Prohibit archive flag' to TRUE for a record so that any attempt to archive the record fails. There are two methods that you can use to prohibit the archival of a record:

- [“Using the CKDS KEYS List panel” on page 317.](#)
- [“Using the CKDS Key Attribute and Metadata panel” on page 318.](#)

## Using the CKDS KEYS List panel

1. On the CKDS KEYS panel, select option 1, 2, 3, or 4 to list and manage records.

```
CSFBRCK0 ----- ICSF - CKDS KEYS -----
Active CKDS: CSF.CKDS                               Keys: 100007

Enter the number of the desired option.
 1 List and manage all records
 2 List and manage records with label key type         leave blank for
                                                       list, see help
 3 List and manage records that are                   (ACTIVE, INACTIVE, ARCHIVED)
 4 List and manage records that contain unsupported CCA keys
 5 Display the key attributes and record metadata for a record
 6 Delete a record
 7 Generate AES DATA keys

Full or partial record label
==> KEY.*
The label may contain up to seven wild cards (*)

Number of labels to display ==> 100 (Maximum 100)

Press ENTER to go to the selected option.
Press END  to exit to the previous menu.

OPTION ==> 1
```

Figure 166. CKDS KEYS panel for KDSR format CKDS

2. When you press ENTER, the CKDS KEYS List panel appears.

```
CSFBRCK1 ----- ICSF - CKDS KEYS List ----- Row 1 to 4 of 4
Active CKDS: CSF.CKDS                               Keys: 100007

Action characters: A, D, K, M, P, R See the help panel for details.
Status characters: - Active  A Archived  I Inactive

Select the records to be processed and press ENTER
When the list is incomplete and you want to see more labels, press ENTER
Press END to return to the previous menu

A S Label      Displaying 1      to 4      of 4      Key Type
-----
- - KEY.1      DATA
- A KEY.2      EXPORTER
- I KEY.3      IMPORTER
- - KEY.4      DATA

COMMAND ==>
```

Figure 167. CKDS KEYS List panel for KDSR format CKDS

3. On the CKDS KEYS List panel, specify P in the 'A' column next to the labels you want to enable the Prohibit Archive flag. You can select as many labels as you want.

```

CSFBRCK1 ----- ICSF - CKDS KEYS List ----- Row 1 to 4 of 4
Active CKDS: CSF.CKDS                               Keys: 100007
Action characters: A, D, K, M, P, R See the help panel for details.
Status characters: - Active   A Archived   I Inactive

Select the records to be processed and press ENTER
When the list is incomplete and you want to see more labels, press ENTER
Press END to return to the previous menu

A S Label      Displaying 1      to 4      of 4      Key Type
-----
- - KEY.1      DATA
- A KEY.2      EXPORTER
- I KEY.3      IMPORTER
P - KEY.4      DATA

COMMAND ==>

```

Figure 168. Select the CKDS records to prohibit archival

- When you press ENTER, the confirmation panel is displayed for every record selected. If you want to enable the Prohibit archive flag for this record, press ENTER. If you do not want to enable the Prohibit archive flag for this record, press END. If you select the option 'Set record archive confirmation off', all remaining records are confirmed and prohibited from being archived.

```

CSFBRA00 ----- ICSF - Record Prohibit Archive Confirmation -----
COMMAND ==>

Record label to prohibit archiving:
KEY.4                                     DATA

Enter "/" to select option
_ Set record prohibit archive confirmation off

Press ENTER to confirm prohibit archive
Press END to return to the previous menu

```

Figure 169. Record prohibit archive confirmation panel

- Each record that you confirmed has the Prohibit Archive flag enabled. If the Prohibit Archive flag is already enabled, no change is made.

## Using the CKDS Key Attribute and Metadata panel

This procedure can be used with the CKDS Record Metadata panel.

- On the CKDS Keys panel, specify the full label of a record in the label field and select option 5, Display the key attributes and record metadata for a record. The CKDS Key Attributes and Metadata panel appears.



```

CSFBRCK2 ----- ICSF - CKDS Key Attributes and Metadata -----
Active CKDS: CSF.CKDS
Label: KEY.4                                     DATA
Record status: Active          (Archived, Active, Pre-active, Deactivated)
Select an action: _
  1 Modify one or more fields with the new values specified
  2 Delete the record
-----
Metadata
Record creation date:      YYYYMMDD              YYYYMMDD
                          20170818
Update date:              00000000
Cryptoperiod start date:  00000000      New value: -----
Cryptoperiod end date:    00000000      New value: -----
Date the record was last used: 00000000  New value: -----
Service called when last used:
Date the record was recalled: 00000000
Date the record was archived: 00000000
Archived flag:            FALSE          New value: -----
Prohibit archive flag:    FALSE          New value: -----

Key Attributes
Algorithm:      AES          Key type:      DATA
Length (bits): 256          Key check value: 99B51E  ENC-ZERO
Key Usage:      ENCIPHER DECIPHER

Key Management:

Key Name:

Press ENTER to process.
Press END  to exit to the previous menu.

COMMAND ==>

```

Figure 170. CKDS Key Attributes and Metadata panel for KDSR format CKDS

2. Change the Prohibit archived flag to True, enter 1 on the 'Select an action' line, and press ENTER.

```

CSFBRCK2 ----- ICSF - CKDS Key Attributes and Metadata -----
Active CKDS: CSF.CKDS
Label: KEY.4                                     DATA
Record status: Active          (Archived, Active, Pre-active, Deactivated)
Select an action: 1
  1 Modify one or more fields with the new values specified
  2 Delete the record
-----
Metadata
Record creation date:      YYYYMMDD              YYYYMMDD
                          20170818
Update date:              00000000
Cryptoperiod start date:  00000000      New value: -----
Cryptoperiod end date:    00000000      New value: -----
Date the record was last used: 00000000  New value: -----
Service called when last used:
Date the record was recalled: 00000000
Date the record was archived: 00000000
Archived flag:            FALSE          New value: -----
Prohibit archive flag:    FALSE          New value: TRUE__

Key Attributes
Algorithm:      AES          Key type:      DATA
Length (bits): 256         Key check value: 99B51E  ENC-ZERO
Key Usage:     ENCIPHER DECIPHER

Key Management:

Key Name:

Press ENTER to process.
Press END  to exit to the previous menu.

COMMAND ==>

```

*Figure 171. Selecting to enable the 'Prohibit archive flag' for this record*

3. The Prohibit archive flag is enabled.

```

CSFBRCK2 ----- ICSF - CKDS Key Attributes and Metadata -----
Active CKDS: CSF.CKDS
Label: KEY.4                                     DATA
Record status: Active          (Archived, Active, Pre-active, Deactivated)
Select an action: _
  1 Modify one or more fields with the new values specified
  2 Delete the record
-----
Metadata
Record creation date:      YYYYMMDD              YYYYMMDD
                          20170818
Update date:              20170821
Cryptoperiod start date:  00000000      New value: -----
Cryptoperiod end date:    00000000      New value: -----
Date the record was last used: 00000000  New value: -----
Service called when last used:
Date the record was recalled: 00000000
Date the record was archived: 00000000
Archived flag:            FALSE          New value: -----
Prohibit archive flag:    TRUE           New value: -----

Key Attributes
Algorithm:      AES          Key type:      DATA
Length (bits): 256         Key check value: 99B51E   ENC-ZERO
Key Usage:     ENCIPHER DECIPHER

Key Management:

Key Name:

Press ENTER to process.
Press END  to exit to the previous menu.

COMMAND ==>

```

Figure 172. The 'Prohibit archive flag' is enabled

## Recalling a record in a KDSR format CKDS

When a record is recalled, the 'Archive flag' is set to false. The key in the record can now be used by ICSF services. There are two ways that you can recall an archived record:

- [“Using the CKDS KEYS List panel” on page 321.](#)
- [“Using the CKDS Key Attribute and Metadata panel” on page 323.](#)

### Using the CKDS KEYS List panel

1. On the CKDS KEYS panel, select option 1, 2, 3, or 4 to list and manage records.

```

CSFBRCK0 ----- ICSF - CKDS KEYS -----
Active CKDS: CSF.CKDS                               Keys: 100007
Enter the number of the desired option.

  1 List and manage all records
  2 List and manage records with label key type _____ leave blank for
                                                                list, see help
  3 List and manage records that are _____ (ACTIVE, INACTIVE, ARCHIVED)
  4 List and manage records that contain unsupported CCA keys
  5 Display the key attributes and record metadata for a record
  6 Delete a record
  7 Generate AES DATA keys

Full or partial record label
==> KEY.*-----
The label may contain up to seven wild cards (*)

Number of labels to display ==> 100 (maximum 100)

Press ENTER to process the selected option.
Press END to exit to the previous menu.

OPTION ==> 1

```

Figure 173. CKDS KEYS panel for KDSR format CKDS

2. When you press ENTER, the CKDS KEYS List panel appears.

```

CSFBRCK1 ----- ICSF - CKDS KEYS List ----- Row 1 to 4 of 4
Active CKDS: CSF.CKDS                               Keys: 100007

Action characters: A, D, K, M, P, R See the help panel for details.
Status characters: - Active  A Archived  I Inactive

Select the records to be processed and press ENTER
When the list is incomplete and you want to see more labels, press ENTER
Press END to return to the previous menu

A S Label      Displaying 1      to 4      of 4                               Key Type
-----
- - KEY.1                                DATA
- A KEY.2                                EXPORTER
- I KEY.3                                IMPORTER
- - KEY.4                                DATA

COMMAND ==>>

```

Figure 174. CKDS KEYS List panel for KDSR format CKDS

3. On the CKDS KEYS List panel, specify R in the 'A' column next to the labels you want to recall. You can select as many labels as you want.

```

CSFBRCK1 ----- ICSF - CKDS KEYS List ----- Row 1 to 4 of 4
Active CKDS: CSF.CKDS                               Keys: 100007

Action characters: A, D, K, M, P, R See the help panel for details.
Status characters: - Active  A Archived  I Inactive

Select the records to be processed and press ENTER
When the list is incomplete and you want to see more labels, press ENTER
Press END to return to the previous menu

A S Label      Displaying 1      to 4      of 4                               Key Type
-----
- - KEY.1                                DATA
R A KEY.2                                EXPORTER
- I KEY.3                                IMPORTER
- - KEY.4                                DATA

COMMAND ==>>

```

Figure 175. Select the CKDS records to recall

- When you press ENTER, the confirmation panel is displayed for every record that is selected to be recalled. If you want to recall this record, press ENTER. If you do not want to recall this record, press END. If you select the option 'Set record recall confirmation off', all remaining records are confirmed and recalled.

```

CSFBRA00 ----- ICSF - Record Recall Confirmation -----
COMMAND ==>

Record label to be recalled:
KEY.2                                EXPORTER

Enter "/" to select option
_ Set record recall confirmation off

Press ENTER to confirm recall.
Press END to return to the previous panel.

```

Figure 176. Record recall confirmation panel

- Each record that you confirmed is recalled. The status depends on the cryptoperiod, if enabled.

```

CSFBRCK1 ----- ICSF - CKDS KEYS List ----- Row 1 to 4 of 4
Active CKDS: CSF.CKDS                                Keys: 100007

Action characters: A, D, K, M, P, R See the help panel for details.
Status characters: - Active  A Archived  I Inactive

Select the records to be processed and press ENTER
When the list is incomplete and you want to see more labels, press ENTER
Press END to return to the previous menu

A S Label      Displaying 1      to 4      of 4                                Key Type
-----
- - KEY.1      DATA
- - KEY.2      EXPORTER
- I KEY.3      IMPORTER
- - KEY.4      DATA

COMMAND ==>

```

Figure 177. CKDS KEYS list panel with recall records

## Using the CKDS Key Attribute and Metadata panel

This procedure can be used with the CKDS Record Metadata panel.

- On the CKDS KEYS panel, specify the full label of a record in the label field and select option 5, Display the key attributes and record metadata for a record. The CKDS Key Attributes and Metadata panel appears.

```

CSFBRCK2 ----- ICSF - CKDS Key Attributes and Metadata -----
Active CKDS: CSF.CKDS
Label: KEY.2                                     EXPORTER
Record status: Archived      (Archived, Active, Pre-active, Deactivated)
Select an action: _
  1 Modify one or more fields with the new values specified
  2 Delete the record
-----
Metadata
Record creation date:      YYYYMMDD      YYYYMMDD
                          20130609
Update date:              20141231
Cryptoperiod start date:  00000000      New value: -----
Cryptoperiod end date:    00000000      New value: -----
Date the record was last used: 20140204      New value: -----
Service called when last used: CSFKEX
Date the record was recalled: 00000000
Date the record was archived: 20141231
Archived flag:            TRUE           New value: -----
Prohibit archive flag:    FALSE         New value: -----

Key Attributes
Algorithm:      DES           Key type:      EXPORTER
Length (bits): 128          Key check value: 5BA1CB      ENC-ZERO
Key Usage:      GEN-IMEX GEN-OPEX GEN-EXEX EXPORT

Key Management: WRAP-ECB XPORT-OK T31XPTOK NOCMPTAG

Key Name:

Press ENTER to process
Press END to return to the previous panel

COMMAND ==>

```

Figure 178. CKDS Key Attributes and Metadata panel for KDSR format CKDS

2. Change the Archived flag to False, enter 1 on the 'Select an action' line, and press ENTER.

```

CSFBRCK2 ----- ICSF - CKDS Key Attributes and Metadata -----
Active CKDS: CSF.CKDS
Label: KEY.2                                     EXPORTER
Record status: Archived      (Archived, Active, Pre-active, Deactivated)
Select an action: 1
  1 Modify one or more fields with the new values specified
  2 Delete the record
-----
Metadata
Record creation date:      YYYYMMDD      YYYYMMDD
Update date:              20141231
Cryptoperiod start date:  00000000      New value: _____
Cryptoperiod end date:    00000000      New value: _____
Date the record was last used: 20140204      New value: _____
Service called when last used: CSFKEX
Date the record was recalled: 00000000
Date the record was archived: 20141231
Archived flag:            TRUE           New value: FALSE_
Prohibit archive flag:    FALSE         New value: _____

Key Attributes
Algorithm:      DES           Key type:      EXPORTER
Length (bits): 128          Key check value: 5BA1CB   ENC-ZERO
Key Usage:      GEN-IMEX GEN-OPEX GEN-EXEX EXPORT

Key Management: WRAP-ECB XPORT-OK T31XPTOK NOCMPTAG

Key Name:

Press ENTER to process
Press END to return to the previous panel

COMMAND ==>

```

*Figure 179. Selecting to recall this record*

3. The Archived flag is false. The record status depends on the cryptoperiod, if enabled.

```

CSFBRCK2 ----- ICSF - CKDS Key Attributes and Metadata -----
Active CKDS: CSF.CKDS
Label: KEY.2                                     EXPORTER
Record status: Active          (Archived, Active, Pre-active, Deactivated)
Select an action: _
  1 Modify one or more fields with the new values specified
  2 Delete the record
-----
Metadata
Record creation date:      YYYYMMDD      YYYYMMDD
Update date:              20130609      20170818
Cryptoperiod start date:  00000000      New value: -----
Cryptoperiod end date:    00000000      New value: -----
Date the record was last used: 20140204      New value: -----
Service called when last used: CSFKEX
Date the record was recalled: 20170818
Date the record was archived: 00000000
Archived flag:            FALSE          New value: -----
Prohibit archive flag:    FALSE          New value: -----

Key Attributes
Algorithm:      DES          Key type:      EXPORTER
Length (bits): 128          Key check value: 5BA1CB      ENC-ZERO
Key Usage:     GEN-IMEX GEN-OPEX GEN-EXEX EXPORT

Key Management: WRAP-ECB XPORT-OK T31XPTOK NOCMPTAG

Key Name:

Press ENTER to process
Press END to return to the previous panel

COMMAND ==>

```

Figure 180. The record is recalled

## Using the CKDS KEYS utility with a non-KDSR format CKDS

1. From the ICSF Primary menu, select option 5, UTILITY.

```

HCR77D0 ----- Integrated Cryptographic Service Facility -----
OPTION ==>

Enter the number of the desired option.

  1 COPROCESSOR MGMT - Management of Cryptographic Coprocessors
  2 KDS MANAGEMENT  - Master key set or change, KDS processing
  3 OPSTAT           - Installation options
  4 ADMINCNTL        - Administrative Control Functions
  5 UTILITY          - ICSF Utilities
  6 PPINIT           - Pass Phrase Master Key/KDS Initialization
  7 TKE              - TKE PKA Direct Key Load
  8 KGUP             - Key Generator Utility processes
  9 UDX MGMT         - Management of User Defined Extensions

```

Figure 181. Selecting UTILITY on the ICSF primary menu panel

2. The Utilities panel appears. Select option 5, CKDS KEYS, to access the CKDS KEYS panel. If you did not specify a CKDS in the ICSF installation options data set, option 5 will not appear on the panel.



```

CSFUTL00 ----- ICSF - Utilities -----
OPTION ==> 5

Enter the number of the desired option.
1 ENCODE          - Encode data
2 DECODE          - Decode data
3 RANDOM          - Generate a random number
4 CHECKSUM        - Generate a checksum and verification patterns
5 CKDSKEYS        - Manage keys in the CKDS
6 PKDSKEYS        - Manage keys in the PKDS
7 PKCS11 TOKEN    - Manage PKCS11 tokens in the TKDS

Press ENTER to go to the selected option.
Press END to exit to the previous menu.

```

Figure 182. Selecting CKDS KEYS on the ICSF Utilities panel

3. Panel CSFBRCN0 appears if you are using a non-KDSR format CKDS. If you are using a KDSR format CKDS, see [“Using the CKDS KEYS utility with a KDSR format CKDS”](#) on page 291.

```

CSFBRCN0 ----- ICSF - CKDS KEYS -----
Active CKDS: CSF.CKDS                               Keys: 100007

Enter the number of the desired option.

1 List and manage all records
2 List and manage records with label key type _____ leave blank for
                                     list, see help
3 List and manage records that contain unsupported keys
4 Display the key attributes and record metadata for a record
5 Delete a record
6 Generate AES DATA keys

Full or partial record label
==> _____
The label may contain up to seven wild cards (*)

Number of labels to display ==> 100 (maximum 100)

Press ENTER to process the selected option.
Press END to exit to the previous menu.

OPTION ==>

```

Figure 183. CKDS KEYS panel for non-KDSR format CKDS

## Deleting a record from a non-KDSR format CKDS

There are three ways to delete a record.

- [“Using the CKDS KEYS panel”](#) on page 327.
- [“Using the CKDS KEYS List panel”](#) on page 328.
- [“Using the CKDS Key Attributes and Metadata panel”](#) on page 329.

### Using the CKDS KEYS panel

1. On the CKDS KEYS panel, specify the full label of a record in the label field and select option 5. The record is deleted from the CKDS.

```

CSFBRCN0 ----- ICSF - CKDS KEYS -----
Active CKDS: CSF.CKDS                               Keys: 100007
Enter the number of the desired option.

  1 List and manage all records
  2 List and manage records with label key type _____ leave blank for
                                     list, see help
  3 List and manage records that contain unsupported CCA keys
  4 Display the key attributes and record metadata for a record
  5 Delete a record
  6 Generate AES DATA keys

Full or partial record label
==> KEY.1-----
The label may contain up to seven wild cards (*)

Number of labels to display ==> 100 (maximum 100)

Press ENTER to process the selected option.
Press END to exit to the previous menu.

OPTION ==> 5

```

Figure 184. CKDS KEYS panel for non-KDSR format CKDS

- When you press ENTER, the confirmation panel is displayed. If you want to delete this record, press ENTER. If you do not want to delete this record, press END. If you select the option 'Set record delete confirmation off', the Record Delete Confirmation panel is not displayed to delete additional records until you leave the CKDS KEYS panel.

```

CSFBRA00 ----- ICSF - Record Delete Confirmation -----
COMMAND ==>

Record label to be deleted:
KEY.1

Enter "/" to select option
_ Set record delete confirmation off

Press ENTER to confirm archive.
Press END to return to the previous panel.

```

Figure 185. Record Delete Confirmation panel

## Using the CKDS KEYS List panel

- On the CKDS KEYS panel, select either option 1, 2, or 3 to list and manage records. The CKDS KEYS List panel appears.

```

CSFBRCN1 ----- ICSF - CKDS KEYS List ----- Row 1 to 3 of 3
Active CKDS: CSF.CKDS                               Keys: 100007
Action characters: D, K See the help panel for details.

Select the records to be processed and press ENTER.
When the list is incomplete and you want to see more labels, press ENTER.
Press END to exit to the previous menu.

A Label          Displaying 1 to 3 of 3          Key type
-----
. KEY.1          DATA
. KEY.2          EXPORTER
. KEY.3          IMPORTER

COMMAND ==>

```

Figure 186. CKDS KEYS List panel for non-KDSR format CKDS

- On the CKDS KEYS List panel, specify D in the 'A' column next to the records you want to delete. You can select as many labels as you want.

```

CSFBRCN1 ----- ICSF - CKDS KEYS List ----- Row 1 to 3 of 3
Active CKDS: CSF.CKDS                               Keys: 100007
Action characters: D, K   See the help panel for details.
Select the records to be processed and press ENTER.
When the list is incomplete and you want to see more labels, press ENTER.
Press END to exit to the previous menu.
A Label          Displaying 1 to 3 of 3              Key type
-----
. KEY.1          DATA
. KEY.2          EXPORTER
D KEY.3          IMPORTER
COMMAND ==>

```

Figure 187. Select the CKDS records to delete

- When you press ENTER, the Record Delete Confirmation panel is displayed for every record that is selected to be deleted. If you want to delete this record, press ENTER. If you do not want to delete this record, press END. If you select the option 'Set record delete confirmation off', the Record Delete Confirmation panel is not displayed and all remaining records to be deleted are confirmed.

```

CSFBRA00 ----- ICSF - Record Delete Confirmation -----
COMMAND ==>

Record label to be deleted:
KEY.3                               IMPORTER

Enter "/" to select option
_ Set record delete confirmation off

Press ENTER to confirm delete.
Press END to return to the previous panel.

```

Figure 188. Record Delete Confirmation panel

- Each record that you confirmed is deleted. The number of keys count is not updated until you exit to the previous panel.

```

CSFBRCN1 ----- ICSF - CKDS KEYS List ----- RECORDS DELETED
Active CKDS: CSF.CKDS                               Keys: 100007
Action characters: D, K   See the help panel for details.
Select the records to be processed and press ENTER.
When the list is incomplete and you want to see more labels, press ENTER.
Press END to exit to the previous menu.
A Label          Displaying 1 to 3 of 3              Key type
-----
. KEY.1          DATA
. KEY.2          EXPORTER
. <Record Deleted>
COMMAND ==>

```

Figure 189. CKDS KEYS List panel with deleted records

## Using the CKDS Key Attributes and Metadata panel

This procedure can be used with the CKDS Record Metadata panel.

- On the CKDS KEYS panel, specify the full label of a record in the label field and select option 4, Display the key attributes and record metadata for a record. The CKDS Key Attributes and Metadata panel appears.

```

CSFBRCN2 ----- ICSF - CKDS Key Attributes and Metadata -----
Active CKDS: CSF.CKDS
Label: KEY.3                                     IMPORTER
Select an action: _
  1 Delete the record
-----
Metadata                                         YYYYMMDD
Record creation date:                          20130609
Update date:                                   20130909

Key attributes
Algorithm:   DES                               Key type: IMPORTER
Length (bits): 128                             Key check value: A1B2C3  ENC-ZERO

Key Usage: GEN-IMEX GEN-OPIM GEN-IMIM IMPORT

Key Management: WRAP-ECB XPORT-OK T31XPTOK NOCMPTAG

Key Name:

Press ENTER to process
Press END to return to the previous panel

COMMAND ==>

```

*Figure 190. CKDS Key Attributes and Metadata panel for non-KDSR format CKDS*

2. Enter 1 on the 'Select an action' line to delete the record and press ENTER.

```

CSFBRCN2 ----- ICSF - CKDS Key Attributes and Metadata -----
Active CKDS: CSF.CKDS
Label: KEY.3                                     IMPORTER
Select an action: 1
  1 Delete the record
-----
Metadata                                         YYYYMMDD
Record creation date:                          20130609
Update date:                                   20130909

Key attributes
Algorithm:   DES                               Key type: IMPORTER
Length (bits): 128                             Key check value: A1B2C3  ENC-ZERO

Key Usage: GEN-IMEX GEN-OPIM GEN-IMIM IMPORT

Key Management: WRAP-ECB XPORT-OK T31XPTOK NOCMPTAG

Key Name:

Press ENTER to process
Press END to return to the previous panel

COMMAND ==>

```

*Figure 191. Selecting to delete this record*

3. When you press ENTER, the confirmation panel is displayed for every record that is selected to be deleted. If you want to delete this record, press ENTER. If you do not want to delete this record, press END.

```

CSFBRA10 ----- ICSF - Record Delete Confirmation -----
COMMAND ===>

Record label to be deleted:
KEY.3                                IMPORTER

Press ENTER to confirm archive.
Press END to return to the previous panel.

```

Figure 192. Record Delete Confirmation panel

4. After you confirm the deletion, you return to the previous panel.

## Displaying a list of records from a non-KDSR format CKDS

There are several options on the CKDS KEYS panel to list records in the CKDS.

- Use the 'label key type' field to get a subset of the records in the CKDS. If the label key type field is blank, all records are listed.
- Use the 'number of labels to display' field to limit the number of labels that appear on the list panel. The value can be up to 100. After all action characters have been processed, the next set of labels are displayed by pressing ENTER.

**Note:** The list of labels is generated and displayed. After all action characters are processed, the list is displayed refreshed. Some of the actions are reflected in the updated list. The number of labels in the list does not change.

When you scroll up or down and there are action characters in the action column, the action characters are saved and cleared from the panel. The requests are processed the next time that you press ENTER.

To list records in a non-KDSR format CKDS from the CSFBRCN0 panel:

- Select option 1, List and manage all records, to display all records in the CKDS that match the label filter. To list all records, put a single wild card in the filter.
- Select option 2, List and manage records with label key type, to get a subset of the records in the CKDS that match the key type specified. Valid key type values are:

### **ADATA**

DES ANSI X9.17 DATA keys (deprecated).

### **AKEK**

DES ANSI X9.17 key-encrypting keys (deprecated).

### **CIPHER**

AES data-encrypting keys.

### **CIPHERXL**

DES ciphertext translation keys.

### **CV**

DES keys with key type listed as CV in the CKDS. Key types include: CIPHER, CIPHERXI, CIPHERXL, CIPHERXO, CVARDEC, CVARENC, CVARPINE, CVARXCVL, CVARXCVR, DATAC, DATAM, DATAMV, DECIPHER, DKYGENKY, ENCIPHER, IKEYXLAT, KEYGENKY, OKEYXLAT, and SECMSG.

### **DATA**

AES and DES DATA keys (encrypted and clear).

### **DATAXLAT**

DES data-translation keys (deprecated).

### **DKYGENKY**

AES diversified key-generating keys.

### **EXPORTER**

AES and DES exporter key-encrypting keys.

### **IMPORTER**

AES and DES importer key-encrypting keys.

**IMP-PKA**

DES limited authority importer key-encrypting keys.

**IPINENC**

DES input PIN encrypting keys.

**MAC**

AES, DES, and HMAC MAC keys.

**MACD**

DES double-length MAC key (DATAM).

**MACVER**

DES and HMAC MAC verification keys.

**NULL**

Records with no key material.

**OPINENC**

DES output PIN encrypting keys.

**PINGEN**

DES PIN generation keys.

**PINCALC**

AES PIN calculation keys.

**PINPROT**

AES PIN protection keys.

**PINPRW**

AES PIN reference value keys.

**PINVER**

DES PIN verification keys.

**SECMSG**

AES secure messaging keys.

- Select option 3, List and manage records that contain unsupported keys, to manage keys that are no longer supported by ICSF.

**Note:** This option is similar to the ICSF\_UNSUPPORTED\_CCA\_KEYS health check introduced in ICSF FMID HCR77C0.

The following keys cannot be used by the current cryptographic features on your systems:

**DES DATAXLAT keys**

Used with the CSNBCTT service.

**DES ANSI X9.17 keys**

Used with the ANSI X9.17 services.

**System keys**

These are keys that were used internally on systems with the Cryptographic Coprocessor Feature (CCF). These keys are no longer used except for the SYSTEM MAC key, which is used for record authentication for fixed-length format CKDS. System keys cannot be deleted by using CSNBKRD. The CKDS Keys utility allows you to manage these keys like any other operational key.

- Enter a label filter, if desired, set the number of labels to be listed, and press ENTER. The CKDS KEYS List panel appears and shows the active CKDS, the number of keys in the CKDS at the time the panel is displayed, and a list of labels matching the label filter that you provided.

```

CSFBRCN1 ----- ICSF - CKDS KEYS List ----- Row 1 to 3 of 3
Active CKDS: CSF.CKDS                               Keys: 100007
Action characters: D, K   See the help panel for details.
Select the records to be processed and press ENTER.
When the list is incomplete and you want to see more labels, press ENTER.
Press END to exit to the previous menu.
A Label          Displaying 1 to 3 of 3                Key type
-----
. KEY.1          DATA
. KEY.2          EXPORTER
. KEY.3
IMPORTER
COMMAND ===>

```

Figure 193. CKDS KEYS List panel for non-KDSR format CKDS

The action characters are:

**D**

Delete the record from the CKDS. For more information, see [“Deleting a record from a non-KDSR format CKDS” on page 327.](#)

**K**

Display key attributes and record metadata. For more information, see [“Displaying the attributes of a key in a non-KDSR format CKDS” on page 333.](#)

- When you press ENTER,
  - If there are action characters in the action column, the requests are processed and the list is refreshed with the completed actions.
  - If there are no action characters, the next set of labels matching the label filter are displayed if applicable.

When you scroll up or down and there are action characters in the action column, the action characters are saved and cleared from the panel. The requests are processed the next time that you press ENTER.

## Displaying the attributes of a key in a non-KDSR format CKDS

There are two ways to see the detail of a cryptographic key:

- [“Using the CKDS KEYS panel” on page 333.](#)
- [“Using the CKDS KEYS List panel” on page 334.](#)

### Using the CKDS KEYS panel

1. On the CKDS KEYS panel, specify the full label of a record in the label field and select option 4, Display the key attributes and record metadata for a record.

```

CSFBRCN0 ----- ICSF - CKDS KEYS -----
Active CKDS: CSF.CKDS                               Keys: 100007
Enter the number of the desired option.

  1 List and manage all records
  2 List and manage records with label key type _____ leave blank for
                                                                list, see help
  3 List and manage records that contain unsupported CCA keys
  4 Display the key attributes and record metadata for a record
  5 Delete a record
  6 Generate AES DATA keys

Full or partial record label
==> KEY.1-----
The label may contain up to seven wild cards (*)

Number of labels to display ==> 100 (maximum 100)

Press ENTER to process the selected option.
Press END to exit to the previous menu.

OPTION ==> 4

```

*Figure 194. CKDS KEYS panel for non-KDSR format CKDS*

2. When you press ENTER, the CKDS Key Attributes and Metadata panel appears.

```

CSFBRCN2 ----- ICSF - CKDS Key Attributes -----
Active CKDS: CSF.CKDS
Label: KEY.1                                         DATA
Select an action:
  1 Delete the record
-----
Metadata                YYYYMMDD
Record creation date:   20170818
Update date:           00000000

Key Attributes
Algorithm:  AES                Key type:      DATA
Length (bits): 256            Key check value: 17E570    ENC-ZERO
Key Usage:  ENCIPHER DECIPHER

Key Management:
Key Name:

Press ENTER to process.
Press END to exit to the previous menu.

COMMAND ==>

```

*Figure 195. CKDS Key Attributes and Metadata panel for non-KDSR format CKDS*

## Using the CKDS KEYS List panel

1. On the CKDS KEYS panel, select option 1, 2, or 3 to list and manage records.



```

CSFBRCN0 ----- ICSF - CKDS KEYS -----
Active CKDS: CSF.CKDS                               Keys: 100007
Enter the number of the desired option.

  1 List and manage all records
  2 List and manage records with label key type _____ leave blank for
                                                                list, see help
  3 List and manage records that contain unsupported CCA keys
  4 Display the key attributes and record metadata for a record
  5 Delete a record
  6 Generate AES DATA keys

Full or partial record label
==> KEY.*-----
The label may contain up to seven wild cards (*)

Number of labels to display ==> 100 (maximum 100)

Press ENTER to process the selected option.
Press END to exit to the previous menu.

OPTION ==> 1

```

*Figure 196. CKDS KEYS panel for non-KDSR format CKDS*

2. When you press ENTER, the CKDS KEYS List panel appears.

```

CSFBRCN1 ----- ICSF - CKDS KEYS List ----- Row 1 to 3 of 3
Active CKDS: CSF.CKDS                               Keys: 100007
Action characters: D, K See the help panel for details.

Select the records to be processed and press ENTER.
When the list is incomplete and you want to see more labels, press ENTER.
Press END to exit to the previous menu.

A Label          Displaying 1 to 3 of 3                Key type
-----
. KEY.1          DATA
. KEY.2          EXPORTER
K KEY.3
IMPORTER

COMMAND ==>

```

*Figure 197. CKDS KEYS List panel for non-KDSR format CKDS*

3. On the CKDS KEYS List panel, specify K in the 'A' column next to the labels you want to see the key attributes. You can select as many labels as you want. When you press ENTER, the CKDS Key Attributes and Metadata panel appears.

```

CSFBRCN2 ----- ICSF - CKDS Key Attributes and Metadata -----
Active CKDS: CSF.CKDS
Label: KEY.3 IMPORTER
Select an action: _
  1 Delete the record
-----
Metadata
Record creation date:      YYYYMMDD
                          20130609
Update date:              20130909

Key attributes
Algorithm:      DES          Key type: IMPORTER
Length (bits): 128      Key check value: A1B2C3  ENC-ZERO

Key Usage: GEN-IMEX GEN-OPIM GEN-IMIM IMPORT

Key Management: WRAP-ECB XPORT-OK T31XPTOK NOCMPTAG

Key Name:

Press ENTER to process
Press END to return to the previous panel

COMMAND ==>

```

Figure 198. CKDS Key Attributes and Metadata panel for the non-KDSR format of the CKDS

## Generating an AES DATA key to a non-KDSR format CKDS

Use this option to generate an AES DATA key and store it in the CKDS. Existing keys can be overwritten if the key is an AES DATA key.

**Note:** The AES master key must be active to generate AES keys.

1. On the CKDS KEYS panel, select option 6, Generate AES DATA keys.

```

CSFBRCN0 ----- ICSF - CKDS KEYS -----
Active CKDS: CSF.CKDS Keys: 100007
Enter the number of the desired option.

  1 List and manage all records
  2 List and manage records with label key type _____ leave blank for
                                                                list, see help
  3 List and manage records that contain unsupported CCA keys
  4 Display the key attributes and record metadata for a record
  5 Delete a record
  6 Generate AES DATA keys

Full or partial record label
==> _____
The label may contain up to seven wild cards (*)

Number of labels to display ==> 100 (maximum 100)

Press ENTER to process the selected option.
Press END to exit to the previous menu.

OPTION ==> 6

```

Figure 199. CKDS KEYS panel for non-KDSR format CKDS

2. The CKDS Generate Key panel appears.

```

CSFBRC10 ----- ICSF - CKDS Generate Key -----
Active CKDS: CSF.CKDS
Enter the CKDS record label for the new AES DATA key
==>
AES key bit length:  _ 128  _ 192  _ 256
Press ENTER to process
Press END to return to the previous panel
COMMAND ==>

```

*Figure 200. CKDS Generate Key panel for non-KDSR format CKDS*

3. Specify the CKDS record label for the new AES DATA key, select the bit length for the key to be generated, and press ENTER.

```

CSFBRC10 ----- ICSF - CKDS Generate Key -----
Active CKDS: CSF.CKDS
Enter the CKDS record label for the new AES DATA key
==> KEY.1
AES key bit length:  _ 128  _ 192  S 256
Press ENTER to process
Press END to return to the previous panel
COMMAND ==>

```

*Figure 201. Generating a 256-bit key*

4. The key is generated and
  - If a record for the label does not exist, a new record is created and the generated key is stored in the CKDS.
  - If the record does exist and the current key is an AES DATA key, the Record Replace Confirmation panel appears.

```

CSFBRC11 ----- ICSF - Record Replace Confirmation -----
COMMAND ==>

Record label found in the CKDS:
KEY.1

Press ENTER to confirm replacement.
Press END to return to the previous menu

```

*Figure 202. Record replacement confirmation panel*

Press ENTER to replace the current entry with the new entry. If the record exists and the current key is not an AES DATA key, the request fails.

Press END to retain the current entry and return to the previous panel where you can specify a different key label.

## Troubleshooting

If the CKDS KEYS utility encounters an error that the utility cannot resolve, the KDS Keys Function Failed panel appears with the failing function and a return code. For information on the return and reason codes, see [z/OS Cryptographic Services ICSF Application Programmer's Guide](#).

```

CSFBRE00 ----- ICSF - KDS KEYS Function Failed
-----
COMMAND ==>

Function Failed: CSFKDSL
ICSF Return Code: 08      Reason Code: 1234

See the z/OS ICSF Application Programmer's Guide for information on
the return and reason codes.

Press ENTER or END to return to the previous menu.

```

Figure 203. KDS Keys Function Failed panel

## DES control vector attributes

### UDX attributes

UDX attributes are available for use with UDXs. The meaning of the attributes is defined by the owner of the UDX. These attributes are defined: UDX4, UDX5, and NON-CCA.

### Key usage attributes

Key usage attributes are specific to one or more key types. The attributes can allow or restrict the usage of the key by a callable service.

<i>Table 58. DES control vector key attributes</i>		
<b>Keyword</b>	<b>Key types</b>	<b>Meaning</b>
AMEX-CSC	MAC, MACVER	The key is permitted to generate and verify AMEX CSC.
ANY-MAC	MAC, MACVER	Any service that uses a MAC key can use this key.
CLR8-ENC	KEYGENKY	The key can be used to multiply-encrypt eight bytes of clear data with a generating key.
CPINENC	OPINENC	The key can be used with the CSNBCPE service.
CPINGEN	PINGEN	The key can be used with the CSNBPGN service.
CPINGENA	PINGEN, IPINENC	The key can be used with the CSNBCPA service.
CVVKEY-A	MAC, MACVER	Restricts the usage to single-length key-A key or double-length key-A and key-B keys to generate and verify CVV only.
CVVKEY-B	MAC, MACVER	Restricts the usage to single-length key-B key to generate and verify CVV only.
DALL	DKYGENKY	The key can be used to generate a single-length or double-length key of any type.
DDATA	DKYGENKY	The key can be used to generate a single-length or double-length DATA key.
DECIPHER	DATA, CIPHER	The key can be used to decrypt data.
DEXP	DKYGENKY	The key can be used to generate an EXPORTER or an OKEYXLAT key.
DIMP	DKYGENKY	The key can be used to generate an IMPORTER or an IKEYXLAT key.

Table 58. DES control vector key attributes (continued)

<b>Keyword</b>	<b>Key types</b>	<b>Meaning</b>
DKYL0	DKYGENKY	A DKYGENKY key with this subtype can be used to generate a key based on the key-usage bits.
DKYL1	DKYGENKY	A DKYGENKY key with this subtype can be used to generate a DKYGENKY key with subtype DKYL0.
DKYL2	DKYGENKY	A DKYGENKY key with this subtype can be used to generate a DKYGENKY key with subtype DKYL1.
DKYL3	DKYGENKY	A DKYGENKY key with this subtype can be used to generate a DKYGENKY key with subtype DKYL2.
DKYL4	DKYGENKY	A DKYGENKY key with this subtype can be used to generate a DKYGENKY key with subtype DKYL3.
DKYL5	DKYGENKY	A DKYGENKY key with this subtype can be used to generate a DKYGENKY key with subtype DKYL4.
DKYL6	DKYGENKY	A DKYGENKY key with this subtype can be used to generate a DKYGENKY key with subtype DKYL5.
DKYL7	DKYGENKY	A DKYGENKY key with this subtype can be used to generate a DKYGENKY key with subtype DKYL6.
DMAC	DKYGENKY	The key can be used to generate a MAC key.
DMKEY	DKYGENKY	The key can be used to generate a SECMSG key with an SMKEY secure messaging key for encrypting keys.
DMPIN	DKYGENKY	The key can be used to generate a SECMSG key with an SMPIN secure messaging key for encrypting PINs.
DMV	DKYGENKY	The key can be used to generate a MACVER key.
DOUBLE-O	All key types	The key is a double-length key and the left and right key parts are unique.
DPVR	DKYGENKY	The key can be used to generate a PINVER key.
ENCIPHER	DATA, CIPHER	The key can be used to encrypt data.
EPINGEN	PINGEN, OPINENC	The key can be used with the CSNBEPG service.
EPINVER	PINGEN, IPINENC	The key can be used with the CSNBPVR service.
EXEX	EXPORTER	The key can be used with the CSNBKGN service when the key form is EXEX.
EXPORT	EXPORTER	This key can be used with the CSNBKEX service.
GBP-PIN	PINGEN, PINVER	The German Bank Pool PIN calculation method can be used with this key.
GBP-PINO	PINGEN, PINVER	The German Bank Pool offset PIN calculation method can be used with this key.
IBM-PIN	PINGEN, PINVER	The IBM 3624 calculation method can be used with this key.
IBM-PINO	PINGEN, PINVER	The IBM 3624 PIN offset calculation method can be used with this key.

Table 58. DES control vector key attributes (continued)

Keyword	Key types	Meaning
IMEX	EXPORTER, IMPORTER	The key can be used with the CSNBKGN service when the key form is IMEX.
IMIM	IMPORTER	The key can be used with the CSNBKGN service when the key form is IMIM.
IMPORT	IMPORTER	The key can be used with the CSNBKIM service.
INBK-PIN	PINGEN, PINVER	The InterBank PIN calculation method can be used with this key.
MACGEN	MAC	The key can be used to generate MACs.
MACVER	MAC, MACVER	The key can be used to verify MACs.
NO-SPEC	PINGEN, PINVER	Any PIN calculation method can be used with this key.
NOOFFSET	PINGEN, PINVER	The key cannot be used to calculate or verify a PIN when an offset process is requested.
OPEX	EXPORTER	The key can be used with the CSNBKGN service when the key form is OPEX.
OPIM	IMPORTER	The key can be used with the CSNBKGN service when the key form is OPIM.
REFORMAT	IPINENC, OPINENC	The key can be used with the CSNBPTR service in the reformat mode.
SMKEY	SECMSG	The key can be used to encrypt keys in an EMV secure message.
SMPIN	SECMSG	The key can be used to encrypt PINs in an EMV secure message.
TRANSLAT	IPINENC, OPINENC	The key can be used with the CSNBPTR service in the translate mode.
TRIPLE-O	Types that support triple-length keys	The key is a triple-length key and all three key parts are unique.
UKPT	KEYGENKY	The key can be used to derive operational keys.
VISA-PVV	PINGEN, PINVER	The Visa PVV PIN calculation method can be used with this key.
XLATE	IMPORTER, EXPORTER, IKEYXLAT, OKEYXLAT	The key can be used with the CSNBKTR and CSNBKTR2 services.

Table 59 on page 340 contains the DES control vector key attributes that are discontinued. Their usage is allowed for backward compatibility reasons only.

Table 59. DES control vector deprecated key attributes

Keyword	Key types
ANSIX9.9	MAC, MACVER
EPINGENA	PINGEN

## Key management attributes

Table 60 on page 341 shows the attributes that apply to all key types.

<i>Table 60. DES control vector key management attributes</i>	
<b>Keyword</b>	<b>Meaning</b>
COMP-TAG	The key can be used with PCI-HSM compliant applications.
ENH-ONLY	The key value can only be wrapped using the enhanced wrapping method.
KEY-PART	The key value is incomplete.
NOCMPTAG	The key cannot be used with PCI-HSM compliant applications.
NOEXCPAC	The key cannot be exported to CPACF protected key format.
NOT31XPT	The key token cannot be exported using the CSNBT31X service.
NO-XPORT	The key token cannot be exported by any service.
T31XPTOK	The key token can be exported using the CSNBT31X service.
WRAP-ECB	The key value in the token is wrapped using the original ECB method.
WRAP-ENH	The key value in the token is wrapped using the enhanced CBC method with SHA-1.
WRAPENH2	The key value in the token is wrapped using the enhanced CBC method with SHA-256.
XPORT-OK	The key token can be exported.
XPRTCPAC	The key can be exported to CPACF protected key format.





---

## Chapter 18. Using the utility panels to manage keys in the PKDS

**Note:** The PKDS KEYS utility has changed. The previous PKDS KEYS panel is available as the 'Generate PKA keys, import or export public keys via certificate' option on the new panel. The SAF controls for the previous utility have not changed.

Use the PKDS KEYS utility to manage keys in the active PKDS. All formats of the PKDS are supported.

- List records by label including wild cards.
- Display the attributes of a key.
- Delete records.
- Generate PKA keys in the PKDS.
- Import and export public keys using certificates.

The panels have extra options when the PKDS uses the common record format (KDSR).

- Display the metadata of a record.
- Add, delete, and update the cryptoperiod of a record.
- Archive and recall records.

To use the full function of the PKDS KEYS utility, you must have an active CCA coprocessor and the appropriate master keys must be active.

When making changes to the active PKDS using the PKDS KEYS utility, if you have sysplex-wide consistency enabled, all systems sharing the PKDS in the sysplex will have their in-storage copy updated.

---

### SAF controls used by the PKDS KEYS utility

The following resources and profiles are SAF checked by the PKDS KEYS utility. You must have SAF authority to the resource to perform the function. The CSFKEYS class can be checked for the label when these functions are executed.

#### **Listing labels (CSFSERV(CSFKDSL) and CSFSERV(CSFBRPK))**

You must have READ authority to the profiles.

#### **Displaying key attributes and record metadata (CSFSERV(CSFBRPK))**

You must have READ authority to the profile.

#### **Modifying metadata (CSFSERV(CSFBRPK))**

You must have UPDATE authority to the profile and READ authority to the CSFKEYS profile for the label.

#### **Deleting records (CSFSERV(CSFBRPK))**

You must have CONTROL authority to the profile and READ authority to the CSFKEYS profile for the label.

#### **Archiving/recalling records (CSFSERV(CSFBRPK))**

You must have UPDATE authority to the profile and READ authority to the CSFKEYS profile for the label.

If you have ALTER authority to the CSFSERV(CSFBRPK) profile, the CSFKEYS SAF check is not performed.

ICSF uses these ICSF callable services to generate PKA keys and export or import RSA and EC keys to X.509 certificates. The user must have SAF authority to these resources in the CSFSERV class. The user must have SAF authority to the specified label in the CSFKEYS class.

#### **CSNDKRR**

Ensures that the specified PKDS label does not exist.

**CSNDKRC**

Creates the PKDS record.

**CSNDKRD**

Deletes the PKDS record.

**CSNDPKB**

Builds the skeleton key token.

**CSNDPKG**

Generates PKA keys.

**CSNDPKX**

Extracts only the public key from the record.

**CSNBOWH**

Hashes the to-be-signed portion of the generated certificate.

**CSNDDSG**

Signs the hash.

**RSA retained keys**

Retained keys can be deleted using the PKDS KEYS utility. The private key token retained on the CCA coprocessor is deleted as well as the public key token stored in the PKDS. You must have at least CONTROL authority to the CSFBRPK resource and READ access to the label in the CSFKEYS class.

The key can only be deleted in the domain in which it was created and from the coprocessor where the key resides. This information is displayed on the key attributes panel. If the users domain does not match the keys domain, the key cannot be deleted. If the coprocessor is not active, the key cannot be deleted.

## Auditing

---

ICSF logs audit records for actions taken by the PKDS KEYS utility. The audit records that are logged are dependent on the AUDITKEYLIFEPKDS option setting. If key life cycle auditing is enabled, ICSF records SMF type 82 subtype 41 records for the label modified. If key life cycle auditing is disabled, ICSF records SMF type 82 subtype 13 records for the label modified. For additional information, see [z/OS Cryptographic Services ICSF System Programmer's Guide](#).

## Managing keys in the PKDS

---

Use the PKDS KEYS utility to manage cryptographic keys and the key stores.

- [“Using the PKDS KEYS utility with a KDSR format PKDS” on page 345](#)
  - [“Archiving a record in a KDSR format PKDS” on page 346](#)
  - [“Changing the cryptoperiod of a record in a KDSR format PKDS” on page 350](#)
  - [“Deleting a record from a KDSR format PKDS” on page 356](#)
  - [“Displaying a list of records from a KDSR format PKDS” on page 360](#)
  - [“Displaying the attributes of a key in a KDSR format PKDS” on page 362](#)
  - [“Displaying the metadata of a record from a KDSR format PKDS” on page 366](#)
  - [“Prohibiting the archival of a record in a KDSR format PKDS” on page 370](#)
  - [“Recalling a record in a KDSR format PKDS” on page 374](#)
- [“Using the PKDS KEYS utility with a non-KDSR format PKDS” on page 379](#)
  - [“Deleting a record from a non-KDSR format PKDS” on page 380](#)
  - [“Displaying a list of records from a non-KDSR format PKDS” on page 384](#)
  - [“Displaying the attributes of a key in a non-KDSR format PKDS” on page 385](#)
- [“Using the PKDS KEYS utility to generate keys and import and export public keys” on page 390](#)

## PKDS labels

PKDS labels are 64 characters long. A label can consist of up to 64 characters. The first character must be alphabetic or a national character (#, \$, @). The remaining characters can be alphanumeric, a national character (#, \$, @), or a period (.).

The search string is a character string that can contain the following:

- Character strings containing valid characters for labels.
- Wild cards (\* (asterisk)):
  - A wild card means 0 or more characters are to be ignored in the filtering process.
  - The number of characters to be ignored can be specified as \*(nn), where nn is the number (1 - 63) of characters to be ignored in the filtering process.
  - You can specify from 0 to 7 wild cards in the string.
- Blanks are not allowed anywhere in the string.

## Using the PKDS KEYS utility with a KDSR format PKDS

1. From the ICSF Primary menu, select option 5, UTILITY.

```
HCR77D0 ----- Integrated Cryptographic Service Facility -----
OPTION ==> 5

Enter the number of the desired option.

  1 COPROCESSOR MGMT - Management of Cryptographic Coprocessors
  2 KDS MANAGEMENT  - Master key set or change, KDS processing
  3 OPSTAT           - Installation options
  4 ADMINCNTL       - Administrative Control Functions
  5 UTILITY          - ICSF Utilities
  6 PPINIT          - Pass Phrase Master Key/KDS Initialization
  7 TKE             - TKE PKA Direct Key Load
  8 KGUP           - Key Generator Utility processes
  9 UDX MGMT        - Management of User Defined Extensions
```

Figure 204. Selecting UTILITY on the ICSF primary menu panel

2. The Utilities panel appears. Select option 6, PKDS KEYS, to access the PKDS KEYS panel. If you did not specify a PKDS in the ICSF installation options data set, option 6 will not appear on the panel.

```
CSFUTL00 ----- ICSF - Utilities -----
OPTION ==> 6

Enter the number of the desired option.
  1 ENCODE          - Encode data
  2 DECODE          - Decode data
  3 RANDOM          - Generate a random number
  4 CHECKSUM        - Generate a checksum and verification patterns
  5 CKDSKEYS        - Manage keys in the CKDS
  6 PKDSKEYS        - Manage keys in the PKDS
  7 PKCS11 TOKEN    - Manage PKCS11 tokens

Press ENTER to go to the selected option.
Press END to exit to the previous menu.
```

Figure 205. Selecting PKDSKEYS on the ICSF Utilities panel

3. Panel CSFBRCK0 appears if you are using a KDSR format PKDS. If you are using a non-KDSR format PKDS, see [“Using the PKDS KEYS utility with a non-KDSR format PKDS”](#) on page 379.

```

CSFBRPK0 ----- ICSF - PKDS KEYS -----
Active PKDS: CSF.PKDS                               Keys: 1234

Enter the number of the desired options.

 1 List and manage all records
 2 List and manage records that are _____ (ACTIVE, INACTIVE, ARCHIVED)
 3 List and manage records that contain unsupported CCA keys
 4 Display the key attributes and record metadata for a record
 5 Delete a record
 6 Generate PKA keys, import or export public keys via certificate

Full or partial record label
==> _____
The label may contain up to seven wild cards (*)

Number of labels to display ==> 100 (maximum 100)

Press ENTER to process the selected option.
Press END to exit to the previous menu.

OPTION ===>

```

Figure 206. PKDS KEYS panel for KDSR format PKDS

## Archiving a record in a KDSR format PKDS

Set the 'Archive flag' to true to disallow the use of the key in the record. ICSF fails if the label of an archived record is specified in a call to a service unless the Key Archive Use control is enabled. See 'Enabling use of archived KDS records' in *z/OS Cryptographic Services ICSF Administrator's Guide*. There are two ways that you can archive a record:

- “Using the PKDS KEYS List panel” on page 346.
- “Using the PKDS Key Attributes and Metadata panel” on page 347.

## Using the PKDS KEYS List panel

1. On the PKDS KEYS panel, select either option 1, 2, or 3 to list and manage records. The PKDS KEYS List panel appears.

```

CSFBRPK1 ----- ICSF - PKDS KEYS List -----
Active PKDS: CSF.PKDS                               Keys: 1234

Action characters: A, D, K, M, P, R See the help panel for details.
Status characters: - Active   A Archived   I Inactive

Select the records to be processed and press ENTER.
When the list is incomplete and you want to see more labels, press ENTER.
Press END to exit to the previous menu.

A S Label          Displaying 1 to 4 of 4
-----
. - KEY.1
. A KEY.2
. I KEY.3
. I KEY.4

COMMAND ===>

```

Figure 207. PKDS KEYS List panel for KDSR format PKDS

2. On the PKDS KEYS List panel, specify A in the 'A' column next to the label or labels you want to archive. You can select as many labels as you want.

```

CSFBRPK1 ----- ICSF - PKDS KEYS List -----
Active PKDS: CSF.PKDS                               Keys: 1234
Action characters: A, D, K, M, P, R See the help panel for details.
Status characters: - Active   A Archived   I Inactive

Select the records to be processed and press ENTER.
When the list is incomplete and you want to see more labels, press ENTER.
Press END to exit to the previous menu.

A S Label          Displaying 1 to 4 of 4
-----
. - KEY.1
. A KEY.2
A I KEY.3
. I KEY.4

COMMAND ==>

```

Figure 208. Select the PKDS records to archive

- When you press ENTER, the Record Archive Confirmation panel is displayed for every record that is selected to be archived. If you want to archive this record, press ENTER. If you do not want to archive this record, press END. If you select the option 'Set record archive confirmation off', all remaining records are confirmed and archived.

```

CSFBRA00 ----- ICSF - Record Archive Confirmation -----
COMMAND ==>

Record label to be archived:
KEY.3

Enter "/" to select option
_ Set record archive confirmation off

Press ENTER to confirm archive.
Press END to return to the previous panel.

```

Figure 209. Record Archive Confirmation panel

- Every record that you confirmed is archived.

```

CSFBRPK1 ----- ICSF - PKDS KEYS List ----- RECORDS CHANGED
Active PKDS: CSF.PKDS                               Keys: 1234
Action characters: A, D, K, M, P, R See the help panel for details.
Status characters: - Active   A Archived   I Inactive

Select the records to be processed and press ENTER.
When the list is incomplete and you want to see more labels, press ENTER.
Press END to exit to the previous menu.

A S Label          Displaying 1 to 4 of 4
-----
. - KEY.1
. A KEY.2
. A KEY.3
. I KEY.4

COMMAND ==>

```

Figure 210. PKDS KEYS List panel with archived records

## Using the PKDS Key Attributes and Metadata panel

**Note:** This procedure can also be used with the PKDS Record Metadata panel.

- On the PKDS KEYS panel, specify a label in the label field and select option 5, Display the key attributes and record metadata for a record. The PKDS Key Attributes and Metadata panel appears.

```

CSFBRPK2 ----- ICSF - PKDS Key Attributes and Metadata -----
Active PKDS: CSF.PKDS
Label: KEY.3
Record status: Deactivated (Archived, Active, Pre-active, Deactivated)
Select an action: _
  1 Modify one or more fields with the new values specified
  2 Delete the record

Press ENTER to process
Press END to return to the previous panel
-----
Metadata                YYYYMMDD                YYYYMMDD
Record creation date:   20130609
Update date:           20130909
Cryptoperiod start date: 20140101   New value: -----
Cryptoperiod end date:  20141231   New value: -----
Date the record was last used: 20140204   New value: -----
Service called when last used: CSFDSV
Date the record was recalled: 00000000
Date the record was archived: 00000000
Archived flag:         False           New value: -----
Prohibit archive flag: False           New value: -----

Key attributes
Algorithm:             RSA                Modulus (bits): 2048
Key Usage:             SIGN KEYM XLATE-OK   Token Format:      CRT
Sections:              PRIVATE PUBLIC NAME
Private name:          KEY.NAME.3
Public Exponent:
  010001
Modulus:
  F35F5EF1E1AC5D5289A7EB6340E41FDA18695CBBB2EB5E27BC3FA1C0FA0D215D
  18F017AEA80631223A2F268304894246BE8F629BEF7DB621B1E1C5F90D00F1AC
  662119D2179DC02F20966591E39079D7A621F522F29451F4663E664D830A2F61
  5E51A722EE6124F102A8334B113426A86028F6DC1F0D4F05EBE4AE9F57BA6805
  CE54B8C4C1866870110D3550689E435A6EDDA1FFA74D46C77C8850F7716EAF6E
  69AD03FBFBBC5990EDDF8C1A34D607AC3B7728D7E6ABBDA566A626980E0D888
  C83661867992AF0EE415CA3B392C40D5138A18E983784676736A67D82F69D12B
  95778A0CF92F752338CB811E1C68FBC04E8D9471B487C14942945AD6B345B562
  3EACCC1C25742C25924612B407869788F3236AF037B7D7EBBB03C0FB6529A376
  CF8161AACAA0B9C3D285D772C71B78264B56DE152B8870975CE8B57D3EB048FF
  26629B0A1756A4004418B6AED201AC6831CB0F555B4C1CA4721F96272C741F73
  C439C3312C180BA67F5EAF823673904C78A6440A29A900B7F1C301C9FE9E7EB0
  A7B286943B62AF22995CA15A1AC4FE3AB28C3C53629C581A97773CDAA6A366AD
  7EA29F4128D7EF45FC8D8C7A35FE51B87A3F14CCF0E5B3A7B7F80AB5A72EDAB0
  10B582BB67A9048FFEE3631D50661E8FDC22E6754CAE46E06AC70F16667A7553
  1C83C61047605D205C14E0032BC0C2E611B54AE1EF2DEFA67B4AEC8181910753

COMMAND ==>>>

```

Figure 211. PKDS Key Attributes and Metadata panel for KDSR format PKDS

2. Change the Archived flag to True, enter 1 on the 'Select an action' line, and press ENTER.

```

CSFBRPK2 ----- ICSF - PKDS Key Attributes and Metadata -----
Active PKDS: CSF.PKDS
Label: KEY.3
Record status: Deactivated (Archived, Active, Pre-active, Deactivated)
Select an action: 1
  1 Modify one or more fields with the new values specified
  2 Delete the record
Press ENTER to process
Press END to return to the previous panel
-----
Metadata                YYYYMMDD                YYYYMMDD
Record creation date:   20130609
Update date:           20130909
Cryptoperiod start date: 20140101   New value: -----
Cryptoperiod end date:  20141231   New value: -----
Date the record was last used: 20140204   New value: -----
Service called when last used: CSFDSV
Date the record was recalled: 00000000
Date the record was archived: 00000000
Archived flag:         False           New value: TRUE_
Prohibit archive flag: False           New value: -----

Key attributes
Algorithm:   RSA                               Modulus (bits): 2048
Key Usage:   SIGN KEYM XLATE-OK               Token Format:   CRT
Sections:    PRIVATE PUBLIC NAME
Private name: KEY.NAME.3
Public Exponent:
  010001
Modulus:
F35F5EF1E1AC5D5289A7EB6340E41FDA18695CBBB2EB5E27BC3FA1C0FA0D215D
18F017AEA80631223A2F268304894246BE8F629BEF7DB621B1E1C5F90D00F1AC
662119D2179DC02F20966591E39079D7A621F522F29451F4663E664D830A2F61
5E51A722EE6124F102A8334B113426A86028F6DC1F0D4F05EBE4AE9F57BA6805
CE54B8C4C1866870110D3550689E435A6EDDA1FFA74D46C77C8850F7716EAF6E
69AD03FBFBCC5990EDDF8C1A34D607AC3B7728D7E6ABBDA566A626980E0D888
C83661867992AF0EE415CA3B392C40D5138A18E983784676736A67D82F69D12B
95778A0CF92F752338CB811E1C68FBC04E8D9471B487C14942945AD6B345B562
3EACCC1C25742C25924612B407869788F3236AF037B7D7EBBB03C0FB6529A376
CF8161AACAA0B9C3D285D772C71B78264B56DE152B8870975CE8B57D3EB048FF
26629B0A1756A4004418B6AED201AC6831CB0F555B4C1CA4721F96272C741F73
C439C3312C180BA67F5EAF823673904C78A6440A29A900B7F1C301C9FE9E7EB0
A7B286943B62AF22995CA15A1AC4FE3AB28C3C53629C581A97773CDAA6A366AD
7EA29F4128D7EF45FC8D8C7A35FE51B87A3F14CCF0E5B3A7B7F80AB5A72EDAB0
10B582BB67A9048FFEE3631D50661E8FDC22E6754CAE46E06AC70F16667A7553
1C83C61047605D205C14E0032BC0C2E611B54AE1EF2DEFA67B4AEC8181910753

COMMAND ==>>>

```

Figure 212. Selecting to archive the PKDS record

3. The Archived flag is True and the Record status is changed to Archived. The 'Update date' and 'Date the record was archived' are also changed.

```

CSFBRPK2 ----- ICSF - PKDS Key Attributes and Metadata -----
Active PKDS: CSF.PKDS
Label: KEY.3
Record status: Archived (Archived, Active, Pre-active, Deactivated)
Select an action: _
  1 Modify one or more fields with the new values specified
  2 Delete the record
Press ENTER to process
Press END to return to the previous panel
-----
Metadata                YYYYMMDD                YYYYMMDD
Record creation date:   20130609
Update date:           20130909
Cryptoperiod start date: 20140101   New value: -----
Cryptoperiod end date:  20141231   New value: -----
Date the record was last used: 20140204   New value: -----
Service called when last used: CSFDSV
Date the record was recalled: 00000000
Date the record was archived: 00000000
Archived flag:         True           New value: -----
Prohibit archive flag: False          New value: -----

Key attributes
Algorithm:   RSA                Modulus (bits): 2048
Key Usage:   SIGN KEYM XLATE-OK  Token Format:   CRT
Sections:    PRIVATE PUBLIC NAME
Private name: KEY.NAME.3
Public Exponent:
  010001
Modulus:
  F35F5EF1E1AC5D5289A7EB6340E41FDA18695CBBB2EB5E27BC3FA1C0FA0D215D
  18F017AEA80631223A2F268304894246BE8F629BEF7DB621B1E1C5F90D00F1AC
  662119D2179DC02F20966591E39079D7A621F522F29451F4663E664D830A2F61
  5E51A722EE6124F102A8334B113426A86028F6DC1F0D4F05EBE4AE9F57BA6805
  CE54B8C4C1866870110D3550689E435A6EDDA1FFA74D46C77C8850F7716EAF6E
  69AD03FBFBBC5990EDDF8C1A34D607AC3B7728D7E6ABBDA566A626980E0D888
  C83661867992AF0EE415CA3B392C40D5138A18E983784676736A67D82F69D12B
  95778A0CF92F752338CB811E1C68FBC04E8D9471B487C14942945AD6B345B562
  3EACCC1C25742C25924612B407869788F3236AF037B7D7EBBB03C0FB6529A376
  CF8161AACAA0B9C3D285D772C71B78264B56DE152B8870975CE8B57D3EB048FF
  26629B0A1756A4004418B6AED201AC6831CB0F555B4C1CA4721F96272C741F73
  C439C3312C180BA67F5EAF823673904C78A6440A29A900B7F1C301C9FE9E7EB0
  A7B286943B62AF22995CA15A1AC4FE3AB28C3C53629C581A97773CDAA6A366AD
  7EA29F4128D7EF45FC8D8C7A35FE51B87A3F14CCF0E5B3A7B7F80AB5A72EDAB0
  10B582BB67A9048FFEE3631D50661E8FDC22E6754CAE46E06AC70F16667A7553
  1C83C61047605D205C14E0032BC0C2E611B54AE1EF2DEFA67B4AEC8181910753

COMMAND ==>>>

```

Figure 213. The PKDS record is archived

## Changing the cryptoperiod of a record in a KDSR format PKDS

There are two ways that you can set, change, or delete a cryptoperiod date of a record:

- “Using the PKDS Key Attributes and Metadata panel” on page 350.
- “Using the PKDS Record Metadata panel” on page 353.

### Using the PKDS Key Attributes and Metadata panel

1. On the PKDS KEYS panel, specify the full label of a record in the label field and select option 5, Display the key attributes and record metadata for a record. The PKDS Key Attributes and Metadata panel appears.



```

CSFBRPK2 ----- ICSF - PKDS Key Attributes and Metadata -----
Active PKDS: CSF.PKDS
Label: KEY.3
Record status: Deactivated (Archived, Active, Pre-active, Deactivated)
Select an action: _
  1 Modify one or more fields with the new values specified
  2 Delete the record
Press ENTER to process
Press END to return to the previous panel
-----
Metadata                YYYYMMDD                YYYYMMDD
Record creation date:   20130609
Update date:           20130909
Cryptoperiod start date: 20140101   New value: -----
Cryptoperiod end date:  20141231   New value: -----
Date the record was last used: 20140204   New value: -----
Service called when last used: CSFDSV
Date the record was recalled: 00000000
Date the record was archived: 00000000
Archived flag:         False           New value: -----
Prohibit archive flag: False           New value: -----

Key attributes
Algorithm:   RSA                               Modulus (bits): 2048
Key Usage:   SIGN KEYM XLATE-OK               Token Format:   CRT
Sections:    PRIVATE PUBLIC NAME
Private name: KEY.NAME.3
Public Exponent:
  010001
Modulus:
  F35F5EF1E1AC5D5289A7EB6340E41FDA18695CBBB2EB5E27BC3FA1C0FA0D215D
  18F017AEA80631223A2F268304894246BE8F629BEF7DB621B1E1C5F90D00F1AC
  662119D2179DC02F20966591E39079D7A621F522F29451F4663E664D830A2F61
  5E51A722EE6124F102A8334B113426A86028F6DC1F0D4F05EBE4AE9F57BA6805
  CE54B8C4C1866870110D3550689E435A6EDDA1FFA74D46C77C8850F7716EAF6E
  69AD03FBFBBC5990EDDF8C1A34D607AC3B7728D7E6ABBDA566A626980E0D888
  C83661867992AF0EE415CA3B392C40D5138A18E983784676736A67D82F69D12B
  95778A0CF92F752338CB811E1C68FBC04E8D9471B487C14942945AD6B345B562
  3EACCC1C25742C25924612B407869788F3236AF037B7D7EBBB03C0FB6529A376
  CF8161AACAA0B9C3D285D772C71B78264B56DE152B8870975CE8B57D3EB048FF
  26629B0A1756A4004418B6AED201AC6831CB0F555B4C1CA4721F96272C741F73
  C439C3312C180BA67F5EAF823673904C78A6440A29A900B7F1C301C9FE9E7EB0
  A7B286943B62AF22995CA15A1AC4FE3AB28C3C53629C581A97773CDAA6A366AD
  7EA29F4128D7EF45FC8D8C7A35FE51B87A3F14CCF0E5B3A7B7F80AB5A72EDAB0
  10B582BB67A9048FFEE3631D50661E8FDC22E6754CAE46E06AC70F16667A7553
  1C83C61047605D205C14E0032BC0C2E611B54AE1EF2DEFA67B4AEC8181910753

COMMAND ==>>

```

Figure 214. PKDS Key Attributes and Metadata panel for KDSR format PKDS

2. In the Cryptoperiod start date and the Cryptoperiod end date fields, enter the new value that you want for these dates. To set the date, enter a value in the YYYYMMDD format. To delete the date, enter a value of all zeros. The end date must be today's date or a date in the future. The start date must be a date that occurs before the end date. The earliest valid date is January 1, 1900, and the latest valid date is June 4, 2185.

**Note:** The Date the record was last used field is set in the same manner as the cryptoperiod dates.

```

CSFBRPK2 ----- ICSF - PKDS Key Attributes and Metadata -----
Active PKDS: CSF.PKDS
Label: KEY.3
Record status: Deactivated (Archived, Active, Pre-active, Deactivated)
Select an action: 1
  1 Modify one or more fields with the new values specified
  2 Delete the record

Press ENTER to process
Press END to return to the previous panel
-----
Metadata                YYYYMMDD                YYYYMMDD
Record creation date:   20130609
Update date:           20130909
Cryptoperiod start date: 20140101      New value: 20160101
Cryptoperiod end date:  20141231      New value: 00000000
Date the record was last used: 20140204      New value: -----
Service called when last used: CSFDSV
Date the record was recalled: 00000000
Date the record was archived: 00000000
Archived flag:         False      New value: -----
Prohibit archive flag: False      New value: -----

Key attributes
Algorithm:   RSA                Modulus (bits): 2048
Key Usage:  SIGN KEYM XLATE-OK  Token Format:   CRT
Sections:   PRIVATE PUBLIC NAME
Private name: KEY.NAME.3
Public Exponent:
  010001
Modulus:
F35F5EF1E1AC5D5289A7EB6340E41FDA18695CBBB2EB5E27BC3FA1C0FA0D215D
18F017AEA80631223A2F268304894246BE8F629BEF7DB621B1E1C5F90D00F1AC
662119D2179DC02F20966591E39079D7A621F522F29451F4663E664D830A2F61
5E51A722EE6124F102A8334B113426A86028F6DC1F0D4F05EBE4AE9F57BA6805
CE54B8C4C1866870110D3550689E435A6EDDA1FFA74D46C77C8850F7716EAF6E
69AD03FBFBBC5990EDDF8C1A34D607AC3B7728D7E6ABBDA566A626980E0D888
C83661867992AF0EE415CA3B392C40D5138A18E983784676736A67D82F69D12B
95778A0CF92F752338CB811E1C68FBC04E8D9471B487C14942945AD6B345B562
3EACCC1C25742C25924612B407869788F3236AF037B7D7EBBB03C0FB6529A376
CF8161AACAA0B9C3D285D772C71B78264B56DE152B8870975CE8B57D3EB048FF
26629B0A1756A4004418B6AED201AC6831CB0F555B4C1CA4721F96272C741F73
C439C3312C180BA67F5EAF823673904C78A6440A29A900B7F1C301C9FE9E7EB0
A7B286943B62AF22995CA15A1AC4FE3AB28C3C53629C581A97773CDAA6A366AD
7EA29F4128D7EF45FC8D8C7A35FE51B87A3F14CCF0E5B3A7B7F80AB5A72EDAB0
10B582BB67A9048FFEE3631D50661E8FDC22E6754CAE46E06AC70F16667A7553
1C83C61047605D205C14E0032BC0C2E611B54AE1EF2DEFA67B4AEC8181910753

COMMAND ==>>>

```

Figure 215. New start date and new end date specified

3. Enter 1 on the 'Select an action' line and press ENTER. The record cryptoperiod start and end dates are updated.

```

CSFBRPK2 ----- ICSF - PKDS Key Attributes and Metadata -----
Active PKDS: CSF.PKDS
Label: KEY.3
Record status: Active (Archived, Active, Pre-active, Deactivated)
Select an action: _
  1 Modify one or more fields with the new values specified
  2 Delete the record

Press ENTER to process
Press END to return to the previous panel
-----
Metadata                YYYYMMDD                YYYYMMDD
Record creation date:   20130609
Update date:           20130909
Cryptoperiod start date: 20160101   New value: -----
Cryptoperiod end date:  00000000   New value: -----
Date the record was last used: 20140204   New value: -----
Service called when last used: CSFDSV
Date the record was recalled: 00000000
Date the record was archived: 00000000
Archived flag:         False           New value: -----
Prohibit archive flag: False           New value: -----

Key attributes
Algorithm:   RSA                               Modulus (bits): 2048
Key Usage:   SIGN KEYM XLATE-OK               Token Format:   CRT
Sections:    PRIVATE PUBLIC NAME
Private name: KEY.NAME.3
Public Exponent:
  010001
Modulus:
  F35F5EF1E1AC5D5289A7EB6340E41FDA18695CBBB2EB5E27BC3FA1C0FA0D215D
  18F017AEA80631223A2F268304894246BE8F629BEF7DB621B1E1C5F90D00F1AC
  662119D2179DC02F20966591E39079D7A621F522F29451F4663E664D830A2F61
  5E51A722EE6124F102A8334B113426A86028F6DC1F0D4F05EBE4AE9F57BA6805
  CE54B8C4C1866870110D3550689E435A6EDDA1FFA74D46C77C8850F7716EAF6E
  69AD03FBFBBC5990EDDF8C1A34D607AC3B7728D7E6ABBDA566A626980E0D888
  C83661867992AF0EE415CA3B392C40D5138A18E983784676736A67D82F69D12B
  95778A0CF92F752338CB811E1C68FBC04E8D9471B487C14942945AD6B345B562
  3EACCC1C25742C25924612B407869788F3236AF037B7D7EBBB03C0FB6529A376
  CF8161AACAA0B9C3D285D772C71B78264B56DE152B8870975CE8B57D3EB048FF
  26629B0A1756A4004418B6AED201AC6831CB0F555B4C1CA4721F96272C741F73
  C439C3312C180BA67F5EAF823673904C78A6440A29A900B7F1C301C9FE9E7EB0
  A7B286943B62AF22995CA15A1AC4FE3AB28C3C53629C581A97773CDAA6A366AD
  7EA29F4128D7EF45FC8D8C7A35FE51B87A3F14CCF0E5B3A7B7F80AB5A72EDAB0
  10B582BB67A9048FFEE3631D50661E8FDC22E6754CAE46E06AC70F16667A7553
  1C83C61047605D205C14E0032BC0C2E611B54AE1EF2DEFA67B4AEC8181910753

COMMAND ==>>>

```

Figure 216. Record cryptoperiod dates are updated

## Using the PKDS Record Metadata panel

1. On the PKDS KEYS panel, select either option 1, 2, or 3 to list and manage records. The PKDS KEYS List panel appears.

```

CSFBRPK1 ----- ICSF - PKDS KEYS List -----
Active PKDS: CSF.PKDS                               Keys: 1234
Action characters: A, D, K, M, P, R See the help panel for details.
Status characters: - Active   A Archived   I Inactive

Select the records to be processed and press ENTER.
When the list is incomplete and you want to see more labels, press ENTER.
Press END to exit to the previous menu.

A S Label           Displaying 1 to 4 of 4
-----
. - KEY.1
. A KEY.2
. I KEY.3
. I KEY.4

COMMAND ==>

```

Figure 217. PKDS KEYS List panel for KDSR format PKDS

2. On the PKDS KEYS List panel, specify M in the 'A' column next to the label or labels you want to view the metadata. You can select as many labels as you want.

```

CSFBRPK1 ----- ICSF - PKDS KEYS List -----
Active PKDS: CSF.PKDS                               Keys: 1234
Action characters: A, D, K, M, P, R See the help panel for details.
Status characters: - Active   A Archived   I Inactive

Select the records to be processed and press ENTER.
When the list is incomplete and you want to see more labels, press ENTER.
Press END to exit to the previous menu.

A S Label           Displaying 1 to 4 of 4
-----
. - KEY.1
. A KEY.2
M I KEY.3
. I KEY.4

COMMAND ==>

```

Figure 218. Select the PKDS records to view metadata

3. When you press ENTER, the PKDS Record Metadata panel is displayed for each record selected.

```

CSFBRPK2 ----- ICSF - PKDS Record Metadata -----
Active PKDS: CSF.PKDS
Label: KEY.3
Record status: Deactivated (Archived, Active, Pre-active, Deactivated)
Select an action: _
  1 Modify one or more fields with the new values specified
  2 Delete the record
-----
Metadata                YYYYMMDD                YYYYMMDD
Record creation date:    20130609
Update date:            20130909
Cryptoperiod start date: 20140101    New value: -----
Cryptoperiod end date:  20141231    New value: -----
Date the record was last used: 20140204    New value: -----
Service called when last used: CSFDSV
Date the record was recalled: 20140614
Date the record was archived: 00000000
Archived flag:          False    New value: -----
Prohibit archive flag:  False    New value: -----

Press ENTER to process
Press END to return to the previous panel

COMMAND ==>

```

Figure 219. PKDS Record Metadata panel for KDSR format PKDS

- In the Cryptoperiod start date and the Cryptoperiod end date fields, enter the new value that you want for these dates. To set the date, enter a value in the YYYYMMDD format or enter a value of all zeros if you want this field to have no date. The end date must be today's date or a date in the future. The start date must be a date that occurs before the end date. The earliest valid date is January 1, 1900, and the latest valid date is June 4, 2185.

**Note:** The Date the record was last used field is set in the same manner as the cryptoperiod dates.

```

CSFBRPK2 ----- ICSF - PKDS Record Metadata -----
Active PKDS: CSF.PKDS
Label: KEY.3
Record status: Deactivated (Archived, Active, Pre-active, Deactivated)
Select an action: 1
  1 Modify one or more fields with the new values specified
  2 Delete the record
-----
Metadata                YYYYMMDD                YYYYMMDD
Record creation date:    20130609
Update date:            20130909
Cryptoperiod start date: 20140101    New value: 00000000
Cryptoperiod end date:  20141231    New value: 00000000
Date the record was last used: 20140204    New value: 00000000
Service called when last used: CSFDSV
Date the record was recalled: 20140614
Date the record was archived: 00000000
Archived flag:          False    New value: -----
Prohibit archive flag:  False    New value: -----

Press ENTER to process
Press END to return to the previous panel

COMMAND ==>

```

Figure 220. New start date and new end date specified

- Enter 1 on the 'Select an action' line and press ENTER. The record metadata start and end dates are updated.

```

CSFBRPK2 ----- ICSF - PKDS Record Metadata -----
Active PKDS: CSF.PKDS
Label: KEY.3
Record status: Active (Archived, Active, Pre-active, Deactivated)
Select an action: _
  1 Modify one or more fields with the new values specified
  2 Delete the record
-----
Metadata                YYYYMMDD                YYYYMMDD
Record creation date:   20130609
Update date:           20160101
Cryptoperiod start date: 00000000    New value: -----
Cryptoperiod end date:  00000000    New value: -----
Date the record was last used: 00000000    New value: -----
Service called when last used: CSFDSV
Date the record was recalled: 20140614
Date the record was archived: 00000000
Archived flag:         False    New value: -----
Prohibit archive flag: False    New value: -----

Press ENTER to process
Press END to return to the previous panel

COMMAND ==>

```

Figure 221. Record metadata dates are updated

## Deleting a record from a KDSR format PKDS

There are three ways to delete a record.

- [“Using the PKDS KEYS panel” on page 356.](#)
- [“Using the PKDS KEYS List panel” on page 357](#)
- [“Using the PKDS Key Attributes and Metadata panel” on page 358.](#)

### Using the PKDS KEYS panel

1. On the PKDS KEYS panel, specify the full label in the label field and select option 5. The record is deleted from the PKDS.

```

CSFBRPK0 ----- ICSF - PKDS KEYS -----
Active PKDS: CSF.PKDS                                Keys: 1234
Enter the number of the desired options.

  1 List and manage all records
  2 List and manage records that are _____ (ACTIVE, INACTIVE, ARCHIVED)
  3 List and manage records that contain unsupported CCA keys
  4 Display the key attributes and record metadata for a record
  5 Delete a record
  6 Generate PKA keys, import or export public keys via certificate

Full or partial record label
=> KEY.1_____
The label may contain up to seven wild cards (*)

Number of labels to display ==> 100 (maximum 100)

Press ENTER to process the selected option.
Press END to exit to the previous menu.

OPTION ==> 5

```

Figure 222. PKDS KEYS panel for KDSR format PKDS

2. When you press ENTER, the confirmation panel is displayed. If you want to delete this record, press ENTER. If you do not want to delete this record, press END. If you select the option 'Set record delete

confirmation off', the Record Delete Confirmation panel is not displayed to delete additional records until you leave the PKDS KEYS panel.

```
CSFBRA00 ----- ICSF - Record Delete Confirmation -----  
COMMAND ==>  
  
Record label to be deleted:  
KEY.1  
  
Enter "/" to select option  
_ Set record delete confirmation off  
  
Press ENTER to confirm archive.  
Press END to return to the previous panel.
```

Figure 223. Record Delete Confirmation panel

## Using the PKDS KEYS List panel

1. On the PKDS KEYS panel, select either option 1, 2, or 3 to list and manage records. The PKDS KEYS List panel appears.

```
CSFBRPK1 ----- ICSF - PKDS KEYS List -----  
  
Active PKDS: CSF.PKDS                               Keys: 1234  
  
Action characters: A, D, K, M, P, R See the help panel for details.  
Status characters: - Active   A Archived   I Inactive  
  
Select the records to be processed and press ENTER.  
When the list is incomplete and you want to see more labels, press ENTER.  
Press END to exit to the previous menu.  
  
A S Label           Displaying 1 to 4 of 4  
-----  
. - KEY.1  
. A KEY.2  
. I KEY.3  
. I KEY.4  
  
COMMAND ==>
```

Figure 224. PKDS KEYS List panel for KDSR format PKDS

2. On the PKDS KEYS List panel, specify D in the 'A' column next to the records you want to delete. You can select as many labels as you want.

```
CSFBRPK1 ----- ICSF - PKDS KEYS List -----  
  
Active PKDS: CSF.PKDS                               Keys: 1234  
  
Action characters: A, D, K, M, P, R See the help panel for details.  
Status characters: - Active   A Archived   I Inactive  
  
Select the records to be processed and press ENTER.  
When the list is incomplete and you want to see more labels, press ENTER.  
Press END to exit to the previous menu.  
  
A S Label           Displaying 1 to 4 of 4  
-----  
. - KEY.1  
. A KEY.2  
D I KEY.3  
. I KEY.4  
  
COMMAND ==>
```

Figure 225. Select the PKDS records to delete

3. When you press ENTER, the Record Delete Confirmation panel is displayed for every record that is selected to be deleted. If you want to delete this record, press ENTER. If you do not want to delete this

record, press END. If you select the option 'Set record delete confirmation off', the Record Delete Confirmation panel is not displayed and all remaining records to be deleted are confirmed.

```
CSFBRA00 ----- ICSF - Record Delete Confirmation -----  
COMMAND ===>  
  
Record label to be deleted:  
KEY.3  
  
Enter "/" to select option  
_ Set record delete confirmation off  
  
Press ENTER to confirm delete.  
Press END to return to the previous panel.
```

*Figure 226. Record Delete Confirmation panel*

4. Each record that you confirmed is deleted.

```
CSFBRPK1 ----- ICSF - PKDS KEYS List ----- RECORDS DELETED  
Active PKDS: CSF.PKDS                               Keys: 1234  
  
Action characters: A, D, K, M, P, R See the help panel for details.  
Status characters: - Active   A Archived   I Inactive  
  
Select the records to be processed and press ENTER.  
When the list is incomplete and you want to see more labels, press ENTER.  
Press END to exit to the previous menu.  
  
A S Label          Displaying 1 to 4 of 4  
-----  
. - KEY.1  
. A KEY.2  
. <Record Deleted>  
. I KEY.4  
  
COMMAND ===>
```

*Figure 227. PKDS KEYS List panel with deleted records*

## Using the PKDS Key Attributes and Metadata panel

This procedure can be used with the PKDS Record Metadata panel.

1. On the PKDS KEYS panel, specify the full label of a record in the label field and select option 5, Display the key attributes and record metadata for a record. The PKDS Key Attributes and Metadata panel appears.



```

CSFBRPK2 ----- ICSF - PKDS Key Attributes and Metadata -----
Active PKDS: CSF.PKDS
Label: KEY.3
Record status: Active (Archived, Active, Pre-active, Deactivated)
Select an action: _
  1 Modify one or more fields with the new values specified
  2 Delete the record

Press ENTER to process
Press END to return to the previous panel
-----
Metadata                YYYYMMDD                YYYYMMDD
Record creation date:   20130609
Update date:           20130909
Cryptoperiod start date: 00000000   New value:  -----
Cryptoperiod end date:  00000000   New value:  -----
Date the record was last used: 20140204   New value:  -----
Service called when last used: CSFDSV
Date the record was recalled: 00000000
Date the record was archived: 00000000
Archived flag:         False       New value:  -----
Prohibit archive flag: False       New value:  -----

Key attributes
Algorithm:   RSA                               Modulus (bits): 2048
Key Usage:   SIGN KEYM XLATE-OK               Token Format:   CRT
Sections:    PRIVATE PUBLIC NAME
Private name: KEY.NAME.3
Public Exponent:
  010001
Modulus:
F35F5EF1E1AC5D5289A7EB6340E41FDA18695CBBB2EB5E27BC3FA1C0FA0D215D
18F017AEA80631223A2F268304894246BE8F629BEF7DB621B1E1C5F90D00F1AC
662119D2179DC02F20966591E39079D7A621F522F29451F4663E664D830A2F61
5E51A722EE6124F102A8334B113426A86028F6DC1F0D4F05EBE4AE9F57BA6805
CE54B8C4C1866870110D3550689E435A6EDDA1FFA74D46C77C8850F7716EAF6E
69AD03FBFBCC5990EDDF8C1A34D607AC3B7728D7E6ABBDA566A626980E0D888
C83661867992AF0EE415CA3B392C40D5138A18E983784676736A67D82F69D12B
95778A0CF92F752338CB811E1C68FBC04E8D9471B487C14942945AD6B345B562
3EACCC1C25742C25924612B407869788F3236AF037B7D7EBBB03C0FB6529A376
CF8161AACAA0B9C3D285D772C71B78264B56DE152B8870975CE8B57D3EB048FF
26629B0A1756A4004418B6AED201AC6831CB0F555B4C1CA4721F96272C741F73
C439C3312C180BA67F5EAF823673904C78A6440A29A900B7F1C301C9FE9E7EB0
A7B286943B62AF22995CA15A1AC4FE3AB28C3C53629C581A97773CDAA6A366AD
7EA29F4128D7EF45FC8D8C7A35FE51B87A3F14CCF0E5B3A7B7F80AB5A72EDAB0
10B582BB67A9048FFEE3631D50661E8FDC22E6754CAE46E06AC70F16667A7553
1C83C61047605D205C14E0032BC0C2E611B54AE1EF2DEFA67B4AEC8181910753

COMMAND ==>>>

```

Figure 228. PKDS Key Attributes and Metadata panel for KDSR format PKDS

2. Enter 2 on the 'Select an action' line to delete the record and press ENTER.

```

CSFBRPK2 ----- ICSF - PKDS Key Attributes and Metadata -----
Active PKDS: CSF.PKDS
Label: KEY.3
Record status: Active (Archived, Active, Pre-active, Deactivated)
Select an action: 2
  1 Modify one or more fields with the new values specified
  2 Delete the record
Press ENTER to process
Press END to return to the previous panel
-----
Metadata                YYYYMMDD                YYYYMMDD
Record creation date:   20130609
Update date:           20130909
Cryptoperiod start date: 00000000    New value: -----
Cryptoperiod end date:  00000000    New value: -----
Date the record was last used: 20140204    New value: -----
Service called when last used: CSFDSV
Date the record was recalled: 00000000
Date the record was archived: 00000000
Archived flag:         False          New value: -----
Prohibit archive flag: False          New value: -----

Key attributes
Algorithm:   RSA                Modulus (bits): 2048
Key Usage:  SIGN KEYM XLATE-OK  Token Format:   CRT
Sections:   PRIVATE PUBLIC NAME
Private name: KEY.NAME.3
Public Exponent:
  010001
Modulus:
F35F5EF1E1AC5D5289A7EB6340E41FDA18695CBBB2EB5E27BC3FA1C0FA0D215D
18F017AEA80631223A2F268304894246BE8F629BEF7DB621B1E1C5F90D00F1AC
662119D2179DC02F20966591E39079D7A621F522F29451F4663E664D830A2F61
5E51A722EE6124F102A8334B113426A86028F6DC1F0D4F05EBE4AE9F57BA6805
CE54B8C4C1866870110D3550689E435A6EDDA1FFA74D46C77C8850F7716EAF6E
69AD03FBFBBC5990EDDF8C1A34D607AC3B7728D7E6ABBDA566A626980E0D888
C83661867992AF0EE415CA3B392C40D5138A18E983784676736A67D82F69D12B
95778A0CF92F752338CB811E1C68FBC04E8D9471B487C14942945AD6B345B562
3EACCC1C25742C25924612B407869788F3236AF037B7D7EBBB03C0FB6529A376
CF8161AACAA0B9C3D285D772C71B78264B56DE152B8870975CE8B57D3EB048FF
26629B0A1756A4004418B6AED201AC6831CB0F555B4C1CA4721F96272C741F73
C439C3312C180BA67F5EAF823673904C78A6440A29A900B7F1C301C9FE9E7EB0
A7B286943B62AF22995CA15A1AC4FE3AB28C3C53629C581A97773CDAA6A366AD
7EA29F4128D7EF45FC8D8C7A35FE51B87A3F14CCF0E5B3A7B7F80AB5A72EDAB0
10B582BB67A9048FFEE3631D50661E8FDC22E6754CAE46E06AC70F16667A7553
1C83C61047605D205C14E0032BC0C2E611B54AE1EF2DEFA67B4AEC8181910753

COMMAND ==>>

```

Figure 229. Selecting to delete this record

- When you press ENTER, the confirmation panel is displayed for every record that is selected to be deleted. If you want to delete this record, press ENTER. If you do not want to delete this record, press END.

```

CSFBRA10 ----- ICSF - Record Delete Confirmation -----
COMMAND ==>>

Record label to be deleted:
  KEY.3

Press ENTER to confirm archive.
Press END to return to the previous panel.

```

Figure 230. Record Delete Confirmation panel

- After you confirm the deletion, you return to the previous panel.

## Displaying a list of records from a KDSR format PKDS

There are several options on the PKDS KEYS panel to list records in the PKDS.

- You can list all records or a subset of records. Supplying a filter in the “Full or partial record label” field further refines your list.
- Use the 'number of labels to display' field to limit the number of labels that appear on the list panel. The value can be up to 100. After all action characters have been processed, the next set of labels are displayed by pressing ENTER.

**Note:** The list of labels is generated and displayed. After all action characters are processed, the list is displayed refreshed. Some of the actions are reflected in the updated list. The number of labels in the list does not change until you exit to the PKDS KEYS main panel (CSFBRPK0).

When you scroll up or down and there are action characters in the action column, the action characters are saved and cleared from the panel. The requests are processed the next time that you press ENTER.

To list records in a KDSR format PKDS from the CSFBRCK0 panel:

- Select option 1, List and manage all records, to display all records in the PKDS that match the label filter. To list all records, put a single wild card in the filter.
- Select option 2, List and manage records that are either ACTIVE, INACTIVE, or ARCHIVED:

**ACTIVE**

All records that are not archived or inactive.

**INACTIVE**

All records that not active or archived. For example, the cryptoperiod start date is in the future or the cryptoperiod end date is in the past.

**ARCHIVED**

All records with the archived flag enabled.

- Select option 3, List and manage records that contain unsupported CCA keys, to manage keys that are no longer supported by ICSF.

**Note:** This option is similar to the ICSF\_UNSUPPORTED\_CCA\_KEYS health check introduced in ICSF FMID HCR77C0.

**DSS public and private keys**

Used with CSNDDSG and CSNDDSV.

- Enter a label filter, if desired, set the number of labels to be listed, and press ENTER. The PKDS KEYS List panel appears and shows the active PKDS, the number of keys in the PKDS at the time the panel is displayed, and a list of labels matching the label filter that you provided.

```
CSFBRPK1 ----- ICSF - PKDS KEYS List -----
Active PKDS: CSF.PKDS                               Keys: 1234
Action characters: A, D, K, M, P, R See the help panel for details.
Status characters: - Active   A Archived   I Inactive

Select the records to be processed and press ENTER.
When the list is incomplete and you want to see more labels, press ENTER.
Press END to exit to the previous menu.

A S Label           Displaying 1 to 4 of 4
-----
. - KEY.1
. A KEY.2
. I KEY.3
. I KEY.4

COMMAND ==>
```

Figure 231. PKDS KEYS List panel for KDSR format PKDS

The status of the record is displayed in the 'S' column. The action characters are:

**A**

Archive the record. For more information, see [“Archiving a record in a KDSR format PKDS”](#) on page 346.

**D**

Delete the record. For more information, see [“Deleting a record from a KDSR format PKDS” on page 356.](#)

**K**

Display key attributes and record metadata. For more information, see [“Displaying the attributes of a key in a KDSR format PKDS” on page 362.](#)

**M**

Display record metadata. For more information, see [“Displaying the metadata of a record from a KDSR format PKDS” on page 366.](#)

**P**

Prohibit archive. For more information, see [“Prohibiting the archival of a record in a KDSR format PKDS” on page 370.](#)

**R**

Recall the record. For more information, see [“Recalling a record in a KDSR format PKDS” on page 374.](#)

- When you press ENTER,
  - If there are action characters in the action column, the requests are processed and the list is refreshed with the completed actions.
  - If there are no action characters, the next set of labels that match the label filter are displayed if applicable.

When you scroll up or down and there are action characters in the action column, the action characters are saved and cleared from the panel. The requests are processed the next time that you press ENTER.

## Displaying the attributes of a key in a KDSR format PKDS

There are two ways to see the detail of a cryptographic key:

- [“Using the PKDS KEYS panel” on page 364.](#)
- [“Using the PKDS KEYS List panel” on page 365.](#)

On the PKDS Key Attributes panel, these attributes are displayed:

<i>Table 61. PKDS key attributes</i>	
Attributes	Details
For RSA keys:	
Token Format:	CRT - Chinese Remainder Theorem ME - Modulus Exponent
Modulus Length:	Length of the modulus in bits.

Table 61. PKDS key attributes (continued)

Attributes	Details
Key Usage:	SIGN – Can be used for signatures. KEYM - Can be used for key management. XLATE-OK - Private key translation allowed. NO-XLATE - Private key translation disallowed. FR-xxxxx - Signature format restriction. COMP-TAG - Can be used with PCI compliant operations. NOCMPTAG - Cannot be used with PCI compliant operations. U-DIGSIG - Can be used for signatures. U-NONRPD - Can be used for non-repudiation. U-KCRTSN - Can be used to sign key certificates. U-CRLSN - Can be used to sign Certificate Revocation Lists. U-KEYENC - Can be used for key encipherment. U-DATENC - Can be used for data encipherment. U-KEYAGR - Can be used for key agreement. U-ENCONL - Only encipher operations allowed. U-DECONL - Only decipher operations allowed.
Sections:	PRIVATE – Private key section. PUBLIC - Public key section. NAME - Private key name section.
Public exponent:	Value of the public exponent e
Modulus:	Value of the modulus n
Attributes for ECC keys	
Curve:	The type of curve: Brainpool, Prime.
P:	Length of P in bits.
Q:	Length of Q in bytes.
Key Usage:	SIGN – Can be used for signatures. KEYM - Can be used for key management. XLATE-OK - Private key translation allowed. NO-XLATE - Private key translation disallowed.
Sections:	PRIVATE – Private key section. PUBLIC - Public key section. KEYDER - Key derivation section.
Public Key:	Value of the public key Q.
For trusted blocks:	
Status:	Inactive or active.
Sections:	PUBLIC - Public key section. RULE:xxxxxxx – Rule section including the rule id. NAME – Key label section. INFO – Information section. APPL – Application-defined data.

DSS keys are no longer supported. No information will be displayed.

## Using the PKDS KEYS panel

1. On the PKDS KEYS panel, specify the full label in the label field and select option 4, Display the key attributes and record metadata for a record.

```
CSFBRPK0 ----- ICSF - PKDS KEYS -----
Active PKDS: CSF.PKDS                               Keys: 1234

Enter the number of the desired options.

 1 List and manage all records
 2 List and manage records that are _____ (ACTIVE, INACTIVE, ARCHIVED)
 3 List and manage records that contain unsupported CCA keys
 4 Display the key attributes and record metadata for a record
 5 Delete a record
 6 Generate PKA keys, import or export public keys via certificate

Full or partial record label
==> KEY.1-----
The label may contain up to seven wild cards (*)

Number of labels to display ==> 100 (maximum 100)

Press ENTER to process the selected option.
Press END to exit to the previous menu.

OPTION ==> 4
```

Figure 232. PKDS KEYS panel for KDSR format PKDS

2. When you press ENTER, the PKDS Key Attributes and Metadata panel appears.

```
CSFBRPK3 ----- ICSF - PKDS Key Attributes and Metadata -----
Active PKDS: CSF.PKDS
Label: KEY.3
Record status: Active (Archived, Active, Pre-active, Deactivated)

Select an action: _
 1 Modify one or more fields with the new values specified
 2 Delete the record

Press ENTER to process
Press END to return to the previous panel
-----
Metadata                YYYYMMDD                YYYYMMDD
Record creation date:   20130609
Update date:           20130909
Cryptoperiod start date: 20140101                New value: _____
Cryptoperiod end date:  20141231                New value: _____
Date the record was last used: 20140204                New value: _____
Service called when last used: CSFDSV
Date the record was recalled: 00000000
Date the record was archived: 00000000
Archived flag:         False                New value: _____
Prohibit archive flag: False                New value: _____

Key attributes
Algorithm: ECC                Key Usage: SIGN NO-XLATE
Curve: PRIME                P (bits): 192
Sections: PRIVATE PUBLIC    Q (bytes): 49
Private name: KEY.NAME.3
Public Key:
 0483F6D8640F94F387C1BB5C8E898829178D2933803334292EDFD015B763BCAA
 01CBFB7CE8314BCC008196BA036B3DEF87

COMMAND ==>
```

Figure 233. PKDS Key Attributes and Metadata panel for KDSR format PKDS

## Using the PKDS KEYS List panel

1. On the PKDS KEYS panel, select option 1, 2, or 3 to list and manage records.

```
CSFBRPK0 ----- ICSF - PKDS KEYS -----
Active PKDS: CSF.PKDS                               Keys: 1234

Enter the number of the desired options.

 1 List and manage all records
 2 List and manage records that are _____ (ACTIVE, INACTIVE, ARCHIVED)
 3 List and manage records that contain unsupported CCA keys
 4 Display the key attributes and record metadata for a record
 5 Delete a record
 6 Generate PKA keys, import or export public keys via certificate

Full or partial record label
==> KEY.1-----
The label may contain up to seven wild cards (*)

Number of labels to display ==> 100 (maximum 100)

Press ENTER to process the selected option.
Press END to exit to the previous menu.

OPTION ==>
```

Figure 234. PKDS KEYS panel for KDSR format PKDS

2. When you press ENTER, the PKDS KEYS List panel appears.

```
CSFBRPK1 ----- ICSF - PKDS KEYS List -----
Active PKDS: CSF.PKDS                               Keys: 1234

Action characters: A, D, K, M, P, R See the help panel for details.
Status characters: - Active  A Archived  I Inactive

Select the records to be processed and press ENTER.
When the list is incomplete and you want to see more labels, press ENTER.
Press END to exit to the previous menu.

A S Label           Displaying 1 to 4 of 4
-----
. - KEY.1
. A KEY.2
K I KEY.3
. I KEY.4

COMMAND ==>
```

Figure 235. PKDS KEYS List panel for KDSR format PKDS

3. On the PKDS KEYS List panel, specify K in the 'A' column next to the labels you want to see the key attributes. You can select as many labels as you want. When you press ENTER, the PKDS Key Attributes and Metadata panel appears.

```

CSFBRPK2 ----- ICSF - PKDS Key Attributes and Metadata -----
Active PKDS: CSF.PKDS
Label: KEY.3
Record status: Deactivated (Archived, Active, Pre-active, Deactivated)
Select an action: _
  1 Modify one or more fields with the new values specified
  2 Delete the record
-----
Metadata
Record creation date:      YYYYMMDD          YYYYMMDD
Update date:              20130609
Cryptoperiod start date:  20130909
Cryptoperiod end date:    20140101    New value: -----
Date the record was last used: 20141231    New value: -----
Service called when last used: 20140204    New value: -----
Date the record was recalled: CSFDSV
Date the record was archived: 00000000
Archived flag:            00000000
Prohibit archive flag:    False          New value: -----
                           False          New value: -----

Key attributes
Algorithm:  RSA                      Modulus (bits): 2048
Key Usage:  SIGN KEYM XLATE-OK       Token Format:  CRT
Sections:   PRIVATE PUBLIC NAME
Private name: KEY.NAME.3

Press ENTER to process
Press END to return to the previous panel

COMMAND ==>

```

Figure 236. PKDS Key Attributes and Metadata panel for the KDSR format of the PKDS

## Displaying the metadata of a record from a KDSR format PKDS

There are two ways to display the metadata of a record:

- “Using the PKDS KEYS panel” on page 367.
- “Using the PKDS KEYS List panel” on page 368.

On the PKDS Key Attributes and Metadata and the PKDS Metadata panels, the following metadata is displayed:

- The record creation date and the last date the record was updated. If the record has not been updated, the field is zeros.
- The cryptoperiod's start and end dates. If the cryptoperiod dates are not set, the field is zeros.
- If you have key usage tracking enabled, the date the record was last used and the service that is called are displayed. Otherwise, these fields are zeros or blank.
- If the record has been recalled, the date that the record was recalled is displayed. Otherwise, the field is zeros. Note that the archive date is cleared when a record is recalled.
- If the record has been archived, the date that the record was archived is displayed. Otherwise, the field is zeros.
- The current value of the Archived flag is displayed.
- The current value of the Prohibit archived flag is displayed.

There are several fields that can be updated on the panels:

- The cryptoperiod's start and end dates can be updated. The end date must be today's date or a date in the future. The start date must be a date that occurs before the end date. The earliest valid start date is January 1, 1900, and the latest valid start date is June 4, 2185.
- The date that the record was last used can be updated. Set this date to zeros to clear the value or set to any date in the past.
- The Archived flag can be enabled or disabled.



- The Prohibit Archive flag can be enabled or disabled.

**Note:** Setting the Archived flag to true causes ICSF to not allow the key to be used. Services trying to use the key fail unless the Key Archive Use control is enabled. See 'Enabling use of archived KDS records' in *z/OS Cryptographic Services ICSF Administrator's Guide*. Setting the Prohibit archive flag to true causes ICSF to not allow the record to be archived. If the record is archived, the Prohibit archive flag cannot be set to true.

## Using the PKDS KEYS panel

1. On the PKDS KEYS panel, specify the full label in the label field and select option 4, Display the key attributes and record metadata for a record.

```
CSFBRPK0 ----- ICSF - PKDS KEYS -----
Active PKDS: CSF.PKDS                               Keys: 1234

Enter the number of the desired options.

 1 List and manage all records
 2 List and manage records that are _____ (ACTIVE, INACTIVE, ARCHIVED)
 3 List and manage records that contain unsupported CCA keys
 4 Display the key attributes and record metadata for a record
 5 Delete a record
 6 Generate PKA keys, import or export public keys via certificate

Full or partial record label
==> KEY.1-----
The label may contain up to seven wild cards (*)

Number of labels to display ==> 100   (maximum 100)

Press ENTER to process the selected option.
Press END to exit to the previous menu.

OPTION ==> 4
```

*Figure 237. PKDS KEYS panel for KDSR format PKDS*

2. When you press ENTER, the PKDS Key Attributes and Metadata panel appears.

```

CSFBRPK3 ----- ICSF - PKDS Key Attributes and Metadata -----
Active PKDS: CSF.PKDS
Label: KEY.1
Record status: Active      (Archived, Active, Pre-active, Deactivated)
Select an action: _
  1 Modify one or more fields with the new values specified
  2 Delete the record

Press ENTER to process
Press END to return to the previous panel
-----
Metadata                YYYYMMDD                YYYYMMDD
Record creation date:   20130609
Update date:           20130909
Cryptoperiod start date: 00000000      New value: -----
Cryptoperiod end date:  00000000      New value: -----
Date the record was last used: 20140204      New value: -----
Service called when last used: CSFDSV
Date the record was recalled: 00000000
Date the record was archived: 00000000
Archived flag:         False      New value: -----
Prohibit archive flag: False      New value: -----

Key attributes
Algorithm:  ECC                Key Usage:  SIGN NO-XLATE
Curve:     PRIME                P (bits):  192
Sections:  PRIVATE PUBLIC      Q (bytes):  49
Private name: KEY.NAME.3
Public Key:
  0483F6D8640F94F387C1BB5C8E898829178D2933803334292EDFD015B763BCAA
  01CBFB7CE8314BBC008196BA036B3DEF87

COMMAND ==>

```

Figure 238. PKDS Key Attributes and Metadata panel for KDSR format PKDS

3. Update the metadata fields that you want to change, enter 1 on the 'Select an action' line, and press ENTER. The PKDS Key Attributes and Metadata panel displays the new values.

## Using the PKDS KEYS List panel

1. On the PKDS KEYS panel, select option 1, 2, or 3 to list and manage records.

```

CSFBRPK0 ----- ICSF - PKDS KEYS -----
Active PKDS: CSF.PKDS                                Keys: 1234
Enter the number of the desired options.

  1 List and manage all records
  2 List and manage records that are ----- (ACTIVE, INACTIVE, ARCHIVED)
  3 List and manage records that contain unsupported CCA keys
  4 Display the key attributes and record metadata for a record
  5 Delete a record
  6 Generate PKA keys, import or export public keys via certificate

Full or partial record label
==> KEY.1-----
The label may contain up to seven wild cards (*)

Number of labels to display ==> 100    (maximum 100)

Press ENTER to process the selected option.
Press END to exit to the previous menu.

OPTION ==>

```

Figure 239. PKDS KEYS panel for KDSR format PKDS

2. When you press ENTER, the PKDS KEYS List panel appears.

```

CSFBRPK1 ----- ICSF - PKDS KEYS List -----
Active PKDS: CSF.PKDS                               Keys: 1234
Action characters: A, D, K, M, P, R See the help panel for details.
Status characters: - Active   A Archived   I Inactive

Select the records to be processed and press ENTER.
When the list is incomplete and you want to see more labels, press ENTER.
Press END to exit to the previous menu.

A S Label          Displaying 1 to 4 of 4
-----
M - KEY.1
.  A KEY.2
.  I KEY.3
.  I KEY.4

COMMAND ==>

```

Figure 240. PKDS KEYS List panel for KDSR format PKDS

3. On the PKDS KEYS List panel, specify K or M in the 'A' column next to the labels you want to see the key attributes. You can select as many labels as you want.
  - When you specify the action character K and press ENTER, the PKDS Key Attributes and Metadata panel appears.
  - When you specify the action character M and press ENTER, the PKDS Metadata panel appears.

```

CSFBRPK3 ----- ICSF - PKDS Key Attributes and Metadata -----
Active PKDS: CSF.PKDS
Label: KEY.1
Record status: Active      (Archived, Active, Pre-active, Deactivated)

Select an action: _
  1 Modify one or more fields with the new values specified
  2 Delete the record

Press ENTER to process
Press END to return to the previous panel
-----
Metadata                YYYYMMDD                YYYYMMDD
Record creation date:   20130609
Update date:           20130909
Cryptoperiod start date: 00000000   New value:  -----
Cryptoperiod end date:  00000000   New value:  -----
Date the record was last used: 20140204   New value:  -----
Service called when last used: CSFDSV
Date the record was recalled: 00000000
Date the record was archived: 00000000
Archived flag:         False       New value:  -----
Prohibit archive flag: False       New value:  -----

Key attributes
Algorithm:   ECC                Key Usage:   SIGN NO-XLATE
Curve:      PRIME                P (bits):   192
Sections:   PRIVATE PUBLIC      Q (bytes):  49
Private name: KEY.NAME.3
Public Key:
  0483F6D8640F94F387C1BB5C8E898829178D2933803334292EDFD015B763BCAA
  01CBFB7CE8314BBC008196BA036B3DEF87

COMMAND ==>

```

Figure 241. PKDS Key Attributes and Metadata panel for the KDSR format of the PKDS

4. Update the metadata fields that you want to change, enter 1 on the 'Select an action' line, and press ENTER. The panel displays the new values.

## Prohibiting the archival of a record in a KDSR format PKDS

Set the 'Prohibit archive flag' to TRUE for a record so that any attempt to archive the record fails. There are two methods that you can use to prohibit the archival of a record:

- “Using the PKDS KEYS List panel” on page 370.
- “Using the PKDS Key Attribute and Metadata panel” on page 371.

### Using the PKDS KEYS List panel

1. On the PKDS KEYS panel, select option 1, 2, or 3 to list and manage records.

```
CSFBRPK0 ----- ICSF - PKDS KEYS -----
Active PKDS: CSF.PKDS                               Keys: 1234

Enter the number of the desired options.

  1 List and manage all records
  2 List and manage records that are _____ (ACTIVE, INACTIVE, ARCHIVED)
  3 List and manage records that contain unsupported CCA keys
  4 Display the key attributes and record metadata for a record
  5 Delete a record
  6 Generate PKA keys, import or export public keys via certificate

Full or partial record label
==> KEY.1-----
The label may contain up to seven wild cards (*)

Number of labels to display ==> 100   (maximum 100)

Press ENTER to process the selected option.
Press END to exit to the previous menu.

OPTION ==>
```

Figure 242. PKDS KEYS panel for KDSR format PKDS

2. When you press ENTER, the PKDS KEYS List panel appears.

```
CSFBRPK1 ----- ICSF - PKDS KEYS List -----
Active PKDS: CSF.PKDS                               Keys: 1234

Action characters: A, D, K, M, P, R See the help panel for details.
Status characters: - Active   A Archived   I Inactive

Select the records to be processed and press ENTER.
When the list is incomplete and you want to see more labels, press ENTER.
Press END to exit to the previous menu.

A S Label           Displaying 1 to 4 of 4
-----
. - KEY.1
. A KEY.2
. I KEY.3
. I KEY.4

COMMAND ==>
```

Figure 243. PKDS KEYS List panel for KDSR format PKDS

3. On the PKDS KEYS List panel, specify P in the 'A' column next to the labels you want to enable the Prohibit Archive flag. You can select as many labels as you want.

```

CSFBRPK1 ----- ICSF - PKDS KEYS List -----
Active PKDS: CSF.PKDS                               Keys: 1234
Action characters: A, D, K, M, P, R See the help panel for details.
Status characters: - Active   A Archived   I Inactive

Select the records to be processed and press ENTER.
When the list is incomplete and you want to see more labels, press ENTER.
Press END to exit to the previous menu.

A S Label          Displaying 1 to 4 of 4
-----
P - KEY.1
.  A KEY.2
.  I KEY.3
.  I KEY.4

COMMAND ==>

```

*Figure 244. Select the PKDS records to prohibit archival*

4. When you press ENTER, the confirmation panel is displayed for every record selected. If you want to enable the Prohibit archive flag for this record, press ENTER. If you do not want to enable the Prohibit archive flag for this record, press END. If you select the option 'Set record archive confirmation off', all remaining records are confirmed and prohibited from being archived.

```

CSFBRA00 ----- ICSF - Record Prohibit Archive Confirmation -----
COMMAND ==>

Record label to be prohibit archiving:
KEY.1

Enter "/" to select option
_ Set record prohibit archive confirmation off

Press ENTER to confirm prohibit archive.
Press END to return to the previous panel.

```

*Figure 245. Record prohibit archive confirmation panel*

5. Each record that you confirmed has the Prohibit Archive flag enabled. If the Prohibit Archive flag is already enabled, no change is made.

## Using the PKDS Key Attribute and Metadata panel

This procedure can be used with the PKDS Record Metadata panel.

1. On the PKDS Keys panel, specify a label in the label field and select option 5, Display the key attributes and record metadata for a record. The PKDS Key Attributes and Metadata panel appears.

```

CSFBRPK3 ----- ICSF - PKDS Key Attributes and Metadata -----
Active PKDS: CSF.PKDS
Label: KEY.1
Record status: Active      (Archived, Active, Pre-active, Deactivated)
Select an action: _
  1 Modify one or more fields with the new values specified
  2 Delete the record

Press ENTER to process
Press END to return to the previous panel
-----
Metadata                YYYYMMDD                YYYYMMDD
Record creation date:   20130609
Update date:           20130909
Cryptoperiod start date: 00000000   New value: -----
Cryptoperiod end date:  00000000   New value: -----
Date the record was last used: 20140204   New value: -----
Service called when last used: CSFDSV
Date the record was recalled: 00000000
Date the record was archived: 00000000
Archived flag:         False       New value: -----
Prohibit archive flag: False       New value: -----

Key attributes
Algorithm: ECC                Key Usage:  SIGN NO-XLATE
Curve:    PRIME                P (bits):   192
Sections: PRIVATE PUBLIC      Q (bytes):   49
Private name: KEY.NAME.3
Public Key:
  0483F6D8640F94F387C1BB5C8E898829178D2933803334292EDFD015B763BCAA
  01CBFB7CE8314BBC008196BA036B3DEF87
COMMAND ==>

```

Figure 246. PKDS Key Attributes and Metadata panel for KDSR format PKDS

2. Change the Prohibit archived flag to True, enter 1 on the 'Select an action' line, and press ENTER.

```

CSFBRPK3 ----- ICSF - PKDS Key Attributes and Metadata -----
Active PKDS: CSF.PKDS
Label: KEY.1
Record status: Active      (Archived, Active, Pre-active, Deactivated)
Select an action: 1
  1 Modify one or more fields with the new values specified
  2 Delete the record

Press ENTER to process
Press END to return to the previous panel
-----
Metadata                YYYYMMDD                YYYYMMDD
Record creation date:   20130609
Update date:           20130909
Cryptoperiod start date: 00000000   New value: -----
Cryptoperiod end date:  00000000   New value: -----
Date the record was last used: 20140204   New value: -----
Service called when last used: CSFDSV
Date the record was recalled: 00000000
Date the record was archived: 00000000
Archived flag:         False       New value: ____
Prohibit archive flag: False       New value: TRUE_

Key attributes
Algorithm: ECC                Key Usage: SIGN NO-XLATE
Curve: PRIME                  P (bits): 192
Sections: PRIVATE PUBLIC      Q (bytes): 49
Private name: KEY.NAME.3
Public Key:
  0483F6D8640F94F387C1BB5C8E898829178D2933803334292EDFD015B763BCAA
  01CBFB7CE8314BBC008196BA036B3DEF87

COMMAND ==>

```

Figure 247. Selecting to enable the 'Prohibit archive flag' for this record

3. The Prohibit archive flag is enabled.

```

CSFBRPK3 ----- ICSF - PKDS Key Attributes and Metadata -----
Active PKDS: CSF.PKDS
Label: KEY.1
Record status: Active      (Archived, Active, Pre-active, Deactivated)
Select an action: _
  1 Modify one or more fields with the new values specified
  2 Delete the record

Press ENTER to process
Press END to return to the previous panel
-----
Metadata                YYYYMMDD                YYYYMMDD
Record creation date:   20130609
Update date:           20130909
Cryptoperiod start date: 00000000   New value: -----
Cryptoperiod end date:  00000000   New value: -----
Date the record was last used: 20140204   New value: -----
Service called when last used: CSFDSV
Date the record was recalled: 00000000
Date the record was archived: 00000000
Archived flag:         False       New value: -----
Prohibit archive flag: True        New value: -----

Key attributes
Algorithm: ECC                Key Usage: SIGN NO-XLATE
Curve: PRIME                  P (bits): 192
Sections: PRIVATE PUBLIC      Q (bytes): 49
Private name: KEY.NAME.3
Public Key:
  0483F6D8640F94F387C1BB5C8E898829178D2933803334292EDFD015B763BCAA
  01CBFB7CE8314BBC008196BA036B3DEF87

COMMAND ==>

```

Figure 248. The 'Prohibit archive flag' is enabled

## Recalling a record in a KDSR format PKDS

When a record is recalled, the 'Archive flag' is set to false. The key in the record can now be used by ICSF services. There are two ways that you can recall an archived record:

- [“Using the PKDS KEYS List panel” on page 374.](#)
- [“Using the PKDS Key Attribute and Metadata panel” on page 376.](#)

## Using the PKDS KEYS List panel

1. On the PKDS KEYS panel, select option 1, 2, or 3 to list and manage records.



```

CSFBRPK0 ----- ICSF - PKDS KEYS -----
Active PKDS: CSF.PKDS                               Keys: 1234
Enter the number of the desired options.

  1 List and manage all records
  2 List and manage records that are _____ (ACTIVE, INACTIVE, ARCHIVED)
  3 List and manage records that contain unsupported CCA keys
  4 Display the key attributes and record metadata for a record
  5 Delete a record
  6 Generate PKA keys, import or export public keys via certificate

Full or partial record label
==> KEY.1-----
The label may contain up to seven wild cards (*)

Number of labels to display ==> 100 (maximum 100)

Press ENTER to process the selected option.
Press END to exit to the previous menu.

OPTION ===>

```

Figure 249. PKDS KEYS panel for KDSR format PKDS

- When you press ENTER, the PKDS KEYS List panel appears.

```

CSFBRPK1 ----- ICSF - PKDS KEYS List -----
Active PKDS: CSF.PKDS                               Keys: 1234
Action characters: A, D, K, M, P, R See the help panel for details.
Status characters: - Active  A Archived  I Inactive

Select the records to be processed and press ENTER.
When the list is incomplete and you want to see more labels, press ENTER.
Press END to exit to the previous menu.

A S Label          Displaying 1 to 4 of 4
-----
. - KEY.1
. A KEY.2
. I KEY.3
. I KEY.4

COMMAND ===>

```

Figure 250. PKDS KEYS List panel for KDSR format PKDS

- On the PKDS KEYS List panel, specify R in the 'A' column next to the labels you want to recall. You can select as many labels as you want.

```

CSFBRPK1 ----- ICSF - PKDS KEYS List -----
Active PKDS: CSF.PKDS                               Keys: 1234
Action characters: A, D, K, M, P, R See the help panel for details.
Status characters: - Active  A Archived  I Inactive

Select the records to be processed and press ENTER.
When the list is incomplete and you want to see more labels, press ENTER.
Press END to exit to the previous menu.

A S Label          Displaying 1 to 4 of 4
-----
. - KEY.1
R A KEY.2
. I KEY.3
. I KEY.4

COMMAND ===>

```

Figure 251. Select the PKDS records to recall

4. When you press ENTER, the confirmation panel is displayed for every record that is selected to be recalled. If you want to recall this record, press ENTER. If you do not want to recall this record, press END. If you select the option 'Set record recall confirmation off', all remaining records are confirmed and recalled.

```
CSFBRA00 ----- ICSF - Record Recall Confirmation -----  
COMMAND ===>  
  
Record label to be recalled:  
KEY.3  
  
Enter "/" to select option  
_ Set record recall confirmation off  
  
Press ENTER to confirm recall.  
Press END to return to the previous panel.
```

*Figure 252. Record recall confirmation panel*

5. Each record that you confirmed is recalled. The status depends on the cryptoperiod, if enabled.

```
CSFBRPK1 ----- ICSF - PKDS KEYS List -----  
  
Active PKDS: CSF.PKDS                               Keys: 1234  
  
Action characters: A, D, K, M, P, R See the help panel for details.  
Status characters: - Active   A Archived   I Inactive  
  
Select the records to be processed and press ENTER.  
When the list is incomplete and you want to see more labels, press ENTER.  
Press END to exit to the previous menu.  
  
A S Label           Displaying 1 to 4 of 4  
-----  
. - KEY.1  
. - KEY.2  
. A KEY.3  
. I KEY.4  
  
COMMAND ===>
```

*Figure 253. PKDS KEYS list panel with recall records*

## Using the PKDS Key Attribute and Metadata panel

This procedure can be used with the PKDS Record Metadata panel.

1. On the PKDS KEYS panel, specify the full label of a record in the label field and select option 5, Display the key attributes and record metadata for a record. The PKDS Key Attributes and Metadata panel appears.

```

CSFBRPK2 ----- ICSF - PKDS Key Attributes and Metadata -----
Active PKDS: CSF.PKDS
Label: KEY.3
Record status: Archived      (Archived, Active, Pre-active, Deactivated)
Select an action: _
  1 Modify one or more fields with the new values specified
  2 Delete the record

Press ENTER to process
Press END to return to the previous panel
-----
Metadata                YYYYMMDD                YYYYMMDD
Record creation date:   20130609
Update date:           20130909
Cryptoperiod start date: 00000000      New value: -----
Cryptoperiod end date:  00000000      New value: -----
Date the record was last used: 20140204      New value: -----
Service called when last used: CSFDSV
Date the record was recalled: 00000000
Date the record was archived: 00000000
Archived flag:         True           New value: -----
Prohibit archive flag: False          New value: -----

Key attributes
Algorithm:   RSA                               Modulus (bits): 2048
Key Usage:  SIGN KEYM XLATE-OK                Token Format:   CRT
Sections:   PRIVATE PUBLIC NAME
Private name: KEY.NAME.3
Public Exponent:
  010001
Modulus:
  F35F5EF1E1AC5D5289A7EB6340E41FDA18695CBBB2EB5E27BC3FA1C0FA0D215D
  18F017AEA80631223A2F268304894246BE8F629BEF7DB621B1E1C5F90D00F1AC
  662119D2179DC02F20966591E39079D7A621F522F29451F4663E664D830A2F61
  5E51A722EE6124F102A8334B113426A86028F6DC1F0D4F05EBE4AE9F57BA6805
  CE54B8C4C1866870110D3550689E435A6EDDA1FFA74D46C77C8850F7716EAF6E
  69AD03FBFBBC5990EDDF8C1A34D607AC3B7728D7E6ABBDA566A626980E0D888
  C83661867992AF0EE415CA3B392C40D5138A18E983784676736A67D82F69D12B
  95778A0CF92F752338CB811E1C68FBC04E8D9471B487C14942945AD6B345B562
  3EACCC1C25742C25924612B407869788F3236AF037B7D7EBBB03C0FB6529A376
  CF8161AACAA0B9C3D285D772C71B78264B56DE152B8870975CE8B57D3EB048FF
  26629B0A1756A4004418B6AED201AC6831CB0F555B4C1CA4721F96272C741F73
  C439C3312C180BA67F5EAF823673904C78A6440A29A900B7F1C301C9FE9E7EB0
  A7B286943B62AF22995CA15A1AC4FE3AB28C3C53629C581A97773CDAA6A366AD
  7EA29F4128D7EF45FC8D8C7A35FE51B87A3F14CCF0E5B3A7B7F80AB5A72EDAB0
  10B582BB67A9048FFEE3631D50661E8FDC22E6754CAE46E06AC70F16667A7553
  1C83C61047605D205C14E0032BC0C2E611B54AE1EF2DEFA67B4AEC8181910753

COMMAND ==>>>

```

Figure 254. PKDS Key Attributes and Metadata panel for KDSR format PKDS

2. Change the Archived flag to False, enter 1 on the 'Select an action' line, and press ENTER.

```

CSFBRPK2 ----- ICSF - PKDS Key Attributes and Metadata -----
Active PKDS: CSF.PKDS
Label: KEY.3
Record status: Archived      (Archived, Active, Pre-active, Deactivated)
Select an action: 1
  1 Modify one or more fields with the new values specified
  2 Delete the record

Press ENTER to process
Press END to return to the previous panel
-----
Metadata                YYYYMMDD                YYYYMMDD
Record creation date:   20130609
Update date:           20130909
Cryptoperiod start date: 00000000      New value: -----
Cryptoperiod end date:  00000000      New value: -----
Date the record was last used: 20140204      New value: -----
Service called when last used: CSFDSV
Date the record was recalled: 00000000
Date the record was archived: 00000000
Archived flag:         True           New value: FALSE
Prohibit archive flag: False         New value: -----

Key attributes
Algorithm:            RSA                Modulus (bits): 2048
Key Usage:            SIGN KEYM XLATE-OK  Token Format:      CRT
Sections:             PRIVATE PUBLIC NAME
Private name:         KEY.NAME.3
Public Exponent:
  010001
Modulus:
F35F5EF1E1AC5D5289A7EB6340E41FDA18695CBBB2EB5E27BC3FA1C0FA0D215D
18F017AEA80631223A2F268304894246BE8F629BEF7DB621B1E1C5F90D00F1AC
662119D2179DC02F20966591E39079D7A621F522F29451F4663E664D830A2F61
5E51A722EE6124F102A8334B113426A86028F6DC1F0D4F05EBE4AE9F57BA6805
CE54B8C4C1866870110D3550689E435A6EDDA1FFA74D46C77C8850F7716EAF6E
69AD03FBFBCC5990EDDF8C1A34D607AC3B7728D7E6ABBDA566A626980E0D888
C83661867992AF0EE415CA3B392C40D5138A18E983784676736A67D82F69D12B
95778A0CF92F752338CB811E1C68FBC04E8D9471B487C14942945AD6B345B562
3EACCC1C25742C25924612B407869788F3236AF037B7D7EBBB03C0FB6529A376
CF8161AACAA0B9C3D285D772C71B78264B56DE152B8870975CE8B57D3EB048FF
26629B0A1756A4004418B6AED201AC6831CB0F555B4C1CA4721F96272C741F73
C439C3312C180BA67F5EAF823673904C78A6440A29A900B7F1C301C9FE9E7EB0
A7B286943B62AF22995CA15A1AC4FE3AB28C3C53629C581A97773CDAA6A366AD
7EA29F4128D7EF45FC8D8C7A35FE51B87A3F14CCF0E5B3A7B7F80AB5A72EDAB0
10B582BB67A9048FFEE3631D50661E8FDC22E6754CAE46E06AC70F16667A7553
1C83C61047605D205C14E0032BC0C2E611B54AE1EF2DEFA67B4AEC8181910753

COMMAND ==>>>

```

Figure 255. Selecting to recall this record

3. The Archived flag is false. The record status depends on the cryptoperiod, if enabled.

```

CSFBRPK2 ----- ICSF - PKDS Key Attributes and Metadata -----
Active PKDS: CSF.PKDS
Label: KEY.3
Record status: Active      (Archived, Active, Pre-active, Deactivated)
Select an action: _
  1 Modify one or more fields with the new values specified
  2 Delete the record

Press ENTER to process
Press END to return to the previous panel
-----
Metadata                YYYYMMDD                YYYYMMDD
Record creation date:   20130609
Update date:            20130909
Cryptoperiod start date: 00000000      New value: -----
Cryptoperiod end date:  00000000      New value: -----
Date the record was last used: 20140204      New value: -----
Service called when last used: CSFDSV
Date the record was recalled: 00000000
Date the record was archived: 00000000
Archived flag:          False      New value: -----
Prohibit archive flag:  False      New value: -----

Key attributes
Algorithm:      RSA                Modulus (bits): 2048
Key Usage:     SIGN KEYM XLATE-OK   Token Format:    CRT
Sections:      PRIVATE PUBLIC NAME
Private name:  KEY.NAME.3
Public Exponent:
  010001
Modulus:
F35F5EF1E1AC5D5289A7EB6340E41FDA18695CBBB2EB5E27BC3FA1C0FA0D215D
18F017AEA80631223A2F268304894246BE8F629BEF7DB621B1E1C5F90D00F1AC
662119D2179DC02F20966591E39079D7A621F522F29451F4663E664D830A2F61
5E51A722EE6124F102A8334B113426A86028F6DC1F0D4F05EBE4AE9F57BA6805
CE54B8C4C1866870110D3550689E435A6EDDA1FFA74D46C77C8850F7716EAF6E
69AD03FBFBBC5990EDDF8C1A34D607AC3B7728D7E6ABBDA566A626980E0D888
C83661867992AF0EE415CA3B392C40D5138A18E983784676736A67D82F69D12B
95778A0CF92F752338CB811E1C68FBC04E8D9471B487C14942945AD6B345B562
3EACCC1C25742C25924612B407869788F3236AF037B7D7EBBB03C0FB6529A376
CF8161AACAA0B9C3D285D772C71B78264B56DE152B8870975CE8B57D3EB048FF
26629B0A1756A4004418B6AED201AC6831CB0F555B4C1CA4721F96272C741F73
C439C3312C180BA67F5EAF823673904C78A6440A29A900B7F1C301C9FE9E7EB0
A7B286943B62AF22995CA15A1AC4FE3AB28C3C53629C581A97773CDAA6A366AD
7EA29F4128D7EF45FC8D8C7A35FE51B87A3F14CCF0E5B3A7B7F80AB5A72EDAB0
10B582BB67A9048FFEE3631D50661E8FDC22E6754CAE46E06AC70F16667A7553
1C83C61047605D205C14E0032BC0C2E611B54AE1EF2DEFA67B4AEC8181910753

COMMAND ==>>>

```

Figure 256. The record is recalled

## Using the PKDS KEYS utility with a non-KDSR format PKDS

1. From the ICSF Primary menu, select option 5, UTILITY.

```

HCR77D0 ----- Integrated Cryptographic Service Facility -----
OPTION ==> 5

Enter the number of the desired option.

 1 COPROCESSOR MGMT - Management of Cryptographic Coprocessors
 2 KDS MANAGEMENT - Master key set or change, KDS processing
 3 OPSTAT           - Installation options
 4 ADMINCNTL       - Administrative Control Functions
 5 UTILITY          - ICSF Utilities
 6 PPINIT          - Pass Phrase Master Key/KDS Initialization
 7 TKE             - TKE PKA Direct Key Load
 8 KGUP            - Key Generator Utility processes
 9 UDX MGMT        - Management of User Defined Extensions

```

Figure 257. Selecting UTILITY on the ICSF primary menu panel

2. The Utilities panel appears. Select option 6, PKDS KEYS, to access the PKDS KEYS panel. If you did not specify a PKDS in the ICSF installation options data set, option 6 will not appear on the panel.

```

CSFUTL00 ----- ICSF - Utilities -----
OPTION ==> 6

Enter the number of the desired option.
 1 ENCODE          - Encode data
 2 DECODE          - Decode data
 3 RANDOM          - Generate a random number
 4 CHECKSUM        - Generate a checksum and verification patterns
 5 CKDSKEYS        - Manage keys in the CKDS
 6 PKDSKEYS        - Manage keys in the PKDS
 7 PKCS11 TOKEN    - Manage PKCS11 tokens

Press ENTER to go to the selected option.
Press END to exit to the previous menu.

```

Figure 258. Selecting PKDS KEYS on the ICSF Utilities panel

3. Panel CSFBRPN0 appears if you are using a non-KDSR format PKDS. If you are using a KDSR format PKDS, see [“Using the PKDS KEYS utility with a KDSR format PKDS”](#) on page 345.

```

CSFBRPN0 ----- ICSF - PKDS KEYS -----
Active PKDS: CSF.PKDS                               Keys: 1234

Enter the number of the desired option.

 1 List and manage all records
 2 List and manage records that contain unsupported CCA keys
 3 Display the key attributes and record metadata for a record
 4 Delete a record
 5 Generate PKA keys, import or export public keys via certificate

Full or partial record label
==> -----
The label may contain up to seven wild cards (*)

Number of labels to display ==> 100 (maximum 100)

Press ENTER to process the selected option.
Press END to exit to the previous menu.

OPTION ==>

```

Figure 259. PKDS KEYS panel for non-KDSR format PKDS

## Deleting a record from a non-KDSR format PKDS

There are three ways to delete a record.

- [“Using the PKDS KEYS panel”](#) on page 381.
- [“Using the PKDS KEYS List panel”](#) on page 381.

- [“Using the PKDS Key Attributes and Metadata panel” on page 383.](#)

## Using the PKDS KEYS panel

1. On the PKDS KEYS panel, specify a label in the label field and select option 4. The record is deleted from the PKDS.

```

CSFBRPNO ----- ICSF - PKDS KEYS -----
Active PKDS: CSF.PKDS                               Keys: 1234
Enter the number of the desired option.

  1 List and manage all records
  2 List and manage records that contain unsupported CCA keys
  3 Display the key attributes and record metadata for a record
  4 Delete a record
  5 Generate PKA keys, import or export public keys via certificate

Full or partial record label
==> KEY.1-----
The label may contain up to seven wild cards (*)

Number of labels to display ==> 100   (maximum 100)

Press ENTER to process the selected option.
Press END to exit to the previous menu.

OPTION ==> 4

```

*Figure 260. PKDS KEYS panel for non-KDSR format PKDS*

2. When you press ENTER, the confirmation panel is displayed. If you want to delete this record, press ENTER. If you do not want to delete this record, press END. If you select the option 'Set record delete confirmation off', the Record Delete Confirmation panel is not displayed to delete additional records until you leave the PKDS KEYS panel.

```

CSFBRA00 ----- ICSF - Record Delete Confirmation -----
COMMAND ==>

Record label to be deleted:
KEY.3

Enter "/" to select option
_ Set record delete confirmation off

Press ENTER to confirm archive.
Press END to return to the previous panel.

```

*Figure 261. Record Delete Confirmation panel*

## Using the PKDS KEYS List panel

1. On the PKDS KEYS panel, select either option 1 or 2 to list and manage records. The PKDS KEYS List panel appears.

```

CSFBRPN1 ----- ICSF - PKDS KEYS List -----
Active PKDS: CSF.PKDS                               Keys: 1234
Action characters: D, K           See the help panel for details.

Select the records to be processed and press ENTER.
When the list is incomplete and you want to see more labels, press ENTER.
Press END to exit to the previous menu.

A Label          Displaying 1 to 4 of 4
-----
. KEY.1
. KEY.2
. KEY.3
. KEY.4

COMMAND ==>

```

*Figure 262. PKDS KEYS List panel for non-KDSR format PKDS*

2. On the PKDS KEYS List panel, specify D in the 'A' column next to the records you want to delete. You can select as many labels as you want.

```

CSFBRPN1 ----- ICSF - PKDS KEYS List -----
Active PKDS: CSF.PKDS                               Keys: 1234
Action characters: D, K           See the help panel for details.

Select the records to be processed and press ENTER.
When the list is incomplete and you want to see more labels, press ENTER.
Press END to exit to the previous menu.

A Label          Displaying 1 to 4 of 4
-----
. KEY.1
. KEY.2
D KEY.3
. KEY.4

COMMAND ==>

```

*Figure 263. Select the PKDS records to delete*

3. When you press ENTER, the Record Delete Confirmation panel is displayed for every record that is selected to be deleted. If you want to delete this record, press ENTER. If you do not want to delete this record, press END. If you select the option 'Set record delete confirmation off', the Record Delete Confirmation panel is not displayed and all remaining records to be deleted are confirmed.

```

CSFBRA00 ----- ICSF - Record Delete Confirmation -----
COMMAND ==>

Record label to be deleted:
KEY.3

Enter "/" to select option
_ Set record delete confirmation off

Press ENTER to confirm delete.
Press END to return to the previous panel.

```

*Figure 264. Record Delete Confirmation panel*

4. Each record that you confirmed is deleted. The number of keys count is not updated until you exit to the previous panel.



```

CSFBRPN1 ----- ICSF - PKDS KEYS List ----- RECORDS DELETED

Active PKDS: CSF.PKDS                               Keys: 1234

Action characters: D, K           See the help panel for details.

Select the records to be processed and press ENTER.
When the list is incomplete and you want to see more labels, press ENTER.
Press END to exit to the previous menu.

A Label          Displaying 1 to 4 of 4
-----
. KEY.1
. KEY.2
. <Record deleted>
. KEY.4

COMMAND ==>>

```

Figure 265. PKDS KEYS List panel with deleted records

## Using the PKDS Key Attributes and Metadata panel

This procedure can be used with the PKDS Record Metadata panel.

1. On the PKDS KEYS panel, specify a label in the label field and select option 5, Display the key attributes and record metadata for a record. The PKDS Key Attributes and Metadata panel appears.

```

CSFBRPN2 ----- ICSF - PKDS Key Attributes and Metadata -----

Active PKDS: CSF.PKDS

Label: KEY.3

Select an action: _
  1 Delete the record

Press ENTER to process
Press END to return to the previous panel
-----
Metadata                YYYYMMDD                YYYYMMDD
Record creation date:   20130609
Update date:           20130909

Key attributes
Algorithm:             RSA                Modulus (bits): 2048
Key Usage:             SIGN KEYM XLATE-OK        Token Format: CRT
Sections:              PRIVATE PUBLIC NAME
Private name:          KEY.NAME.3
Public Exponent:
  010001
Modulus:
F35F5EF1E1AC5D5289A7EB6340E41FDA18695CBBB2EB5E27BC3FA1C0FA0D215D
18F017AEA80631223A2F268304894246BE8F629BEF7DB621B1E1C5F90D00F1AC
662119D2179DC02F20966591E39079D7A621F522F29451F4663E664D830A2F61
5E51A722EE6124F102A8334B113426A86028F6DC1F0D4F05EBE4AE9F57BA6805
CE54B8C4C1866870110D3550689E435A6EDDA1FFA74D46C77C8850F7716EAF6E
69AD03FBFBCC5990EDDF8C1A34D607AC3B7728D7E6ABBD566A626980E0D888
C83661867992AF0EE415CA3B392C40D5138A18E983784676736A67D82F69D12B
95778A0CF92F752338C8811E1C68FBC04E8D9471B487C14942945AD6B345B562
3EACCC1C25742C25924612B407869788F3236AF037B7D7EBBB03C0FB6529A376
CF8161AACAA0B9C3D285D772C71B78264B56DE152B8B70975CE8B57D3EB048FF
26629B0A1756A4004418B6AED201AC6831CB0F555B4C1CA4721F96272C741F73
C439C3312C180BA67F5EAF823673904C78A6440A29A900B7F1C301C9FE9E7EB0
A7B286943B62AF22995CA15A1AC4FE3AB28C3C53629C581A97773CDAA6A366AD
7EA29F4128D7EF45FC8D8C7A35FE51B87A3F14CCF0E5B3A7B7F80AB5A72EDAB0
10B582BB67A9048FFEE3631D50661E8FDC22E6754CAE46E06AC70F16667A7553
1C83C61047605D205C14E0032BC0C2E611B54AE1EF2DEFA67B4AEC8181910753

COMMAND ==>>

```

Figure 266. PKDS Key Attributes and Metadata panel for non-KDSR format PKDS

2. Enter 1 on the 'Select an action' line to delete the record and press ENTER.

```

CSFBRPN2 ----- ICSF - PKDS Key Attributes and Metadata -----
Active PKDS: CSF.PKDS
Label: KEY.3
Select an action: 1
  1 Delete the record
Press ENTER to process
Press END to return to the previous panel
-----
Metadata                YYYYMMDD                YYYYMMDD
Record creation date:   20130609
Update date:           20130909

Key attributes
Algorithm:             RSA                Modulus (bits): 2048
Key Usage:             SIGN KEYM XLATE-OK   Token Format: CRT
Sections:              PRIVATE PUBLIC NAME
Private name:          KEY.NAME.3
Public Exponent:
  010001
Modulus:
F35F5EF1E1AC5D5289A7EB6340E41FDA18695CBBB2EB5E27BC3FA1C0FA0D215D
18F017AEA80631223A2F268304894246BE8F629BEF7DB621B1E1C5F90D00F1AC
662119D2179DC02F20966591E39079D7A621F522F29451F4663E664D830A2F61
5E51A722EE6124F102A8334B113426A86028F6DC1F0D4F05EBE4AE9F57BA6805
CE54B8C4C1866870110D3550689E435A6EDDA1FFA74D46C77C8850F7716EAF6E
69AD03FBFBCC5990EDDF8C1A34D607AC3B7728D7E6ABBDA566A626980E0D888
C83661867992AF0EE415CA3B392C40D5138A18E983784676736A67D82F69D12B
95778A0CF92F752338CB811E1C68FBC04E8D9471B487C14942945AD6B345B562
3EACCC1C25742C25924612B407869788F3236AF037B7D7EBBB03C0FB6529A376
CF8161AACA0B9C3D285D772C71B78264B56DE152B8B70975CE8B57D3EB048FF
26629B0A1756A4004418B6AED201AC6831CB0F555B4C1CA4721F96272C741F73
C439C3312C180BA67F5EAF823673904C78A6440A29A900B7F1C301C9FE9E7EB0
A7B286943B62AF22995CA15A1AC4FE3AB28C3C53629C581A97773CDAA6A366AD
7EA29F4128D7EF45FC8D8C7A35FE51B87A3F14CCF0E5B3A7B7F80AB5A72EDAB0
10B582BB67A9048FFEE3631D50661E8FDC22E6754CAE46E06AC70F16667A7553
1C83C61047605D205C14E0032BC0C2E611B54AE1EF2DEFA67B4AEC8181910753

COMMAND ==>

```

Figure 267. Selecting to delete this record

- When you press ENTER, the confirmation panel is displayed for every record that is selected to be deleted. If you want to delete this record, press ENTER. If you do not want to delete this record, press END.

```

CSFBRA10 ----- ICSF - Record Delete Confirmation -----
COMMAND ==>

Record label to be deleted:
  KEY.3

Press ENTER to confirm archive.
Press END to return to the previous panel.

```

Figure 268. Record Delete Confirmation panel

- After you confirm the deletion, you return to the previous panel.

## Displaying a list of records from a non-KDSR format PKDS

There are several options on the PKDS KEYS panel to list records in the PKDS.

- Use the 'label key type' field to get a subset of the records in the PKDS. If the label key type field is blank, all records are listed.
- Use the 'number of labels to display' field to limit the number of labels that appear on the list panel. The value can be up to 100. After all action characters have been processed, the next set of labels are displayed by pressing ENTER.

**Note:** The list of labels is generated and displayed. After all action characters are processed, the list is displayed refreshed. Some of the actions are reflected in the updated list. The number of labels in the list does not change.

When you scroll up or down and there are action characters in the action column, the action characters are saved and cleared from the panel. The requests are processed the next time that you press ENTER.

To list records in a non-KDSR format PKDS from the CSFBRPN0 panel:

- Select option 1, List and manage all records, to display all records in the PKDS that match the label filter. To list all records, put a single wild card in the filter.
- Select option 2, List and manage records that contain unsupported CCA keys, to manage keys that are no longer supported by ICSF.

**Note:** This option is similar to the ICSF\_UNSUPPORTED\_CCA\_KEYS health check introduced in ICSF FMID HCR77C0.

### DSS public and private keys

Used with CSNDDSG and CSNDDSV.

- Enter a label filter, if desired, set the number of labels to be listed, and press ENTER. The PKDS KEYS List panel appears and shows the active PKDS, the number of keys in the PKDS at the time the panel is displayed, and a list of labels matching the label filter that you provided.

```
CSFBRPN1 ----- ICSF - PKDS KEYS List -----
Active PKDS: CSF.PKDS                               Keys: 1234
Action characters: D, K           See the help panel for details.

Select the records to be processed and press ENTER.
When the list is incomplete and you want to see more labels, press ENTER.
Press END to exit to the previous menu.

A Label          Displaying 1 to 3 of 3
-----
. KEY.1
. KEY.2
. KEY.3
. KEY.4

COMMAND ===>
```

Figure 269. PKDS KEYS List panel for non-KDSR format PKDS

The action characters are:

#### D

Delete the record from the PKDS. For more information, see [“Deleting a record from a non-KDSR format PKDS” on page 380.](#)

#### K

Display key attributes and record metadata. For more information, see [“Displaying the attributes of a key in a non-KDSR format PKDS” on page 385.](#)

- When you press ENTER,
  - If there are action characters in the action column, the requests are processed and the list is refreshed with the completed actions.
  - If there are no action characters, the next set of labels matching the label filter are displayed if applicable.

When you scroll up or down and there are action characters in the action column, the action characters are saved and cleared from the panel. The requests are processed the next time that you press ENTER.

## Displaying the attributes of a key in a non-KDSR format PKDS

There are two ways to see the detail of a cryptographic key:

- “Using the PKDS KEYS panel” on page 387.
- “Using the PKDS KEYS List panel” on page 388.

On the PKDS Key Attributes panel, these attributes are displayed:

<i>Table 62. PKDS Key Attributes</i>	
<b>Attributes</b>	<b>Details</b>
For RSA keys:	
Token Format:	CRT - Chinese Remainder Theorem ME - Modulus Exponent
Modulus Length:	Length of the modulus in bits.
Key Usage:	SIGN – Can be used for signatures. KEYM - Can be used for key management. XLATE-OK - Private key translation allowed. NO-XLATE - Private key translation disallowed. FR-xxxxx - Signature format restriction. COMP-TAG - Can be used with PCI compliant operations. NOCMPTAG - Cannot be used with PCI compliant operations. U-DIGSIG - Can be used for signatures. U-NONRPD - Can be used for non-repudiation. U-KCRTSN - Can be used to sign key certificates. U-CRLSN - Can be used to sign Certificate Revocation Lists. U-KEYENC - Can be used for key encipherment. U-DATENC - Can be used for data encipherment. U-KEYAGR - Can be used for key agreement. U-ENCONL - Only encipher operations allowed. U-DECONL - Only decipher operations allowed.
Sections:	PRIVATE – Private key section. PUBLIC - Public key section. NAME - Private key name section.
Public exponent:	Value of the public exponent e
Modulus:	Value of the modulus n
For ECC keys:	
Curve:	The type of curve: Brainpool, Prime.
P:	Length of P in bits.
Q:	Length of Q in bytes.
Key Usage:	SIGN – Can be used for signatures. KEYM - Can be used for key management. XLATE-OK - Private key translation allowed. NO-XLATE - Private key translation disallowed.
Sections:	PRIVATE – Private key section. PUBLIC - Public key section. KEYDER - Key derivation section.
Public Key:	Value of the public key Q.

Table 62. PKDS Key Attributes (continued)	
Attributes	Details
For trusted blocks:	
Status:	Inactive or active.
Sections:	PUBLIC - Public key section. RULE:xxxxxxx - Rule section including the rule id. NAME - Key label section. INFO - Information section. APPL - Application-defined data.

DSS keys are no longer supported. No information will be displayed.

### Using the PKDS KEYS panel

1. On the PKDS KEYS panel, specify a label in the label field and select option 3, Display the key attributes and record metadata for a record.

```

CSFBRPNO ----- ICSF - PKDS KEYS -----
Active PKDS: CSF.PKDS                               Keys: 1234
Enter the number of the desired options.

 1 List and manage all records
 2 List and manage records that contain unsupported CCA keys
 3 Display the key attributes and record metadata for a record
 4 Delete a record
 5 Generate PKA keys, import or export public keys via certificate

Full or partial record label
==> KEY.1-----
The label may contain up to seven wild cards (*)

Number of labels to display ==> 100 (maximum 100)

Press ENTER to process the selected option.
Press END to exit to the previous menu.

OPTION ==> 3

```

Figure 270. PKDS KEYS panel for non-KDSR format PKDS

2. When you press ENTER, the PKDS Key Attributes and Metadata panel appears.

```

CSFBRPN2 ----- ICSF - PKDS Key Attributes and Metadata -----
Active PKDS: CSF.PKDS
Label: KEY.1
Select an action: _
  1 Delete the record
-----
Metadata
Record creation date:      YYYYMMDD
                          20130609
Update date:              20130909

Key attributes
Algorithm: ECC             Key Usage: SIGN
Curve: PRIME              P (bits): 192
Sections: PRIVATE PUBLIC  Q (bytes): 49
Private name: KEY.NAME.3
Public Key:
  0483F6D8640F94F387C1BB5C8E898829178D2933803334292EDFD015B763BCAA
  01CBFB7CE8314BBC008196BA036B3DEF87

Press ENTER to process
Press END to return to the previous panel

COMMAND ==>

```

Figure 271. PKDS Key Attributes and Metadata panel for non-KDSR format PKDS

## Using the PKDS KEYS List panel

1. On the PKDS KEYS panel, select option 1 or 2 to list and manage records.

```

CSFBRPN0 ----- ICSF - PKDS KEYS -----
Active PKDS: CSF.PKDS                               Keys: 1234
Enter the number of the desired option.

  1 List and manage all records
  2 List and manage records that contain unsupported CCA keys
  3 Display the key attributes and record metadata for a record
  4 Delete a record
  5 Generate PKA keys, import or export public keys via certificate

Full or partial record label
=> KEY.1-----
The label may contain up to seven wild cards (*)

Number of labels to display ==> 100 (maximum 100)

Press ENTER to process the selected option.
Press END to exit to the previous menu.

OPTION ==>

```

Figure 272. PKDS KEYS panel for non-KDSR format PKDS

2. When you press ENTER, the PKDS KEYS List panel appears.

```

CSFBRPN1 ----- ICSF - PKDS KEYS List -----
Active PKDS: CSF.PKDS                               Keys: 1234
Action characters: D, K           See the help panel for details.

Select the records to be processed and press ENTER.
When the list is incomplete and you want to see more labels, press ENTER.
Press END to exit to the previous menu.

A Label          Displaying 1 to 4 of 4
-----
K KEY.1
. KEY.2
. KEY.3
. KEY.4

COMMAND ==>>

```

Figure 273. PKDS KEYS List panel for non-KDSR format PKDS

3. On the PKDS KEYS List panel, specify K in the 'A' column next to the labels you want to see the key attributes. You can select as many labels as you want. When you press ENTER, the PKDS Key Attributes and Metadata panel appears.

```

CSFBRPN3 ----- ICSF - PKDS Key Attributes and Metadata -----
Active PKDS: CSF.PKDS
Label: KEY.1

Select an action: _
  1 Delete the record

Press ENTER to process
Press END to return to the previous panel
-----
Metadata                                YYYYMMDD                YYYYMMDD
Record creation date:                   20130609
Update date:                             20130909

Key attributes
Algorithm: ECC                           Key Usage:   SIGN NO-XLATE
Curve:   PRIME                            P (bits):   192
Sections: PRIVATE PUBLIC                  Q (bytes):   49
Private name: KEY.NAME.3
Public Key:
  0483F6D8640F94F387C1BB5C8E898829178D2933803334292EDFD015B763BCAA
  01CBFB7CE8314BBC008196BA036B3DEF87

COMMAND ==>>

```

Figure 274. PKDS Key Attributes and Metadata panel for the non-KDSR format of the PKDS

## Troubleshooting

If the PKDS KEYS utility encounters an error that the utility cannot resolve, the KDS Keys Function Failed panel appears with the failing function and a return code. For information on the return and reason codes, see [z/OS Cryptographic Services ICSF Application Programmer's Guide](#).

```

CSFBRE00 ----- ICSF - KDS KEYS Function Failed
-----

COMMAND ==>

Function Failed: CSFKSDL
ICSF Return Code: 08      Reason Code: 1234

See the z/OS ICSF Application Programmer's Guide for information on
the return and reason codes.

Press ENTER or END to return to the previous menu.

```

Figure 275. KDS Keys Function Failed panel

## Using the PKDS KEYS utility to generate keys and import and export public keys

The PKDS KEYS utility gives you the ability to:

- Generate an RSA or EC key pair and store it in the PKDS.
- Delete an existing PKDS record.
- Export an existing public key to an X.509 certificate stored in an MVS physically sequential data set.
- Import a public key from an X.509 certificate that is stored in an MVS physically sequential data set.

These functions are intended for use with the Encryption Facility, but can be used for other purposes.

To use the full function of the panel, you must have a CCA coprocessor and the appropriate master keys must be active. The RSA master key must be active to generate RSA keys, and the ECC master key must be active to generate ECC keys.

For the SAF requirements for this panel, see [“SAF controls used by the PKDS KEYS utility” on page 343](#).

If you are running on a z196, z114, or later zHardware, you have ECC support, and panel CSFPKY00 appears if the ECC master key is active.

```

CSFPKY00 ----- ICSF - PKDS Keys -----
COMMAND ==>

Enter the RSA record's label for the actions below
==>

Select one of the following actions then press ENTER to process:

_ Generate a new RSA or EC key pair record. Select one key type/size.
  RSA key bit length: _ 512 _ 1024 _ 2048 _ 3072 _ 4096
  EC NIST Curve      : _ p192 _ p224 _ p256 _ p384 _ p521
  EC Brainpool Curve: _ p160 _ p192 _ p224 _ p256 _ p320 _ p384 _ p512
  Enter Private Key Name (optional)
  ==>

_ Delete the existing public key or key pair PKDS record

_ Export the PKDS record's public key to a certificate data set
  Enter the DSN ==>
  Enter desired subject's common name (optional)
  CN=

_ Create a PKDS public key record from an input certificate.
  Enter the DSN ==>

```

Figure 276. ICSF PKDS Keys Panel

Otherwise, panel CSFPKY10 appears.



```

CSFPKY10 ----- ICSF - PKDS Keys -----
COMMAND ==>

Enter the RSA record's label for the actions below
==>

Select one of the following actions then press ENTER to process:

- Generate a new RSA key pair record. Select one key type/size.
  RSA key bit length: _ 512 _ 1024 _ 2048 _ 3072 _ 4096
  Enter Private Key Name (optional)
  ==>

- Delete the existing public key or key pair PKDS record

- Export the PKDS record's public key to a certificate data set
  Enter the DSN ==>
  Enter desired subject's common name (optional)
  CN=

- Create a PKDS public key record from an input certificate.
  Enter the DSN ==>

```

Figure 277. ICSF PKDS Keys Panel

## Generate a new RSA or EC public/private PKDS key pair record

The RSA key pair that is generated can be used to encrypt and recover archive data, recover encrypted data that is transmitted to you by another party, and sign and verify data. The EC key pair can be used to sign or verify data and to perform a key agreement operation with another party.

1. Select the 'Generate a new RSA or EC key pair record.' option. Specify the following information and press ENTER:
  - The key type: RSA, EC NIST Prime curve, or EC Brainpool curve. The RSA public exponent that is used for all keys that are generated through this service is X'010001'.
  - For RSA, the key length in bits (512, 1024, 2048, 3072, or 4096).
  - For EC, the curve size.
  - The optional private key name. Blank is the default for the private key name.

```

CSFPKY00 ----- ICSF - PKDS Keys -----
COMMAND ==>

Enter the RSA record's label for the actions below
==> PKDS.LABEL

Select one of the following actions then press ENTER to process:

S Generate a new RSA or EC key pair record. Select one key type/size.
  RSA key bit length: _ 512 _ 1024 S 2048 _ 3072 _ 4096
  EC NIST Curve      : _ p192 _ p224 _ p256 _ p384 _ p521
  EC Brainpool Curve: _ p160 _ p192 _ p224 _ p256 _ p320 _ p384 _ p512
  Enter Private Key Name (optional)
  ==>

_ Delete the existing public key or key pair PKDS record

_ Export the PKDS record's public key to a certificate data set
  Enter the DSN ==>
  Enter desired subject's common name (optional)
  CN=

_ Create a PKDS public key record from an input certificate.
  Enter the DSN ==>

```

Figure 278. Generating a new key pair using the PKDS Keys panel

2. When the Generate function is successful, the PKDS Key Request Successful panel is displayed.

```

CSFPKY01 ----- ICSF - PKDS Key Request Successful-----

Label ==> PKDS.LABEL

Key function completed successfully
Press ENTER or END to return to the previous menu.

COMMAND ==>

```

Figure 279. Successful generation of a key pair

## Delete an existing key record

This service can be used to delete any PKDS record. The user must have SAF authority to delete the record.

1. Select the 'Delete the existing public key or key pair PKDS record' option, specify the label to delete, and press ENTER.

```

CSFPKY00 ----- ICSF - PKDS Keys -----

COMMAND ==>

Enter the RSA record's label for the actions below
==> PKDS.LABEL

Select one of the following actions then press ENTER to process:

_ Generate a new RSA or EC key pair record. Select one key type/size.
  RSA key bit length: _ 512 _ 1024 _ 2048 _ 3072 _ 4096
  EC NIST Curve      : _ p192 _ p224 _ p256 _ p384 _ p521
  EC Brainpool Curve: _ p160 _ p192 _ p224 _ p256 _ p320 _ p384 _ p512
  Enter Private Key Name (optional)
  ==>

S Delete the existing public key or key pair PKDS record

_ Export the PKDS record's public key to a certificate data set
  Enter the DSN ==>
  Enter desired subject's common name (optional)
  CN=

_ Create a PKDS public key record from an input certificate.
  Enter the DSN ==>

```

Figure 280. Deleting an existing record using the PKDS Keys panel

2. The Delete PKDS Key Confirmation panel is displayed for you to confirm the delete. If you want to delete this record, enter Y and press ENTER. If you do not want to delete the record, press END to return to the previous panel.

```

CSFPKY0P --- Delete PKDS Key Confirmation -----

Note - If you delete a public/private key
pair record, any data encrypted with the
key will no longer be recoverable.

Are you sure you want to delete this key?

==> _      Enter Y to confirm

```

Figure 281. Confirmation panel for deleting a record

3. When Delete function is successful, the PKDS Key Request Successful panel is displayed.

```

CSFPKY01 ----- ICSF - PKDS Key Request Successful-----

Label ==> PKDS.LABEL

Key function completed successfully
Press ENTER or END to return to the previous menu.

COMMAND ==>

```

Figure 282. Successful deletion of a record

## Export a public key to an X.509 certificate for importation elsewhere

This utility is used to encase the public half of a public/private key PKDS record into an X.509 digital certificate so that it can be sent to another party. You can receive data from another party that is enciphered under the public key, which you can recover by using the same PKDS record.

- The certificate that is created is stored in an MVS physical sequential data set.
- The output data set is created by the service with RECFM(V B).
- You must supply the data set name where the certificate is to be stored.
- The data set should not exist prior to export.
  - If the data set exists prior to export, its contents are destroyed and the data set reallocated new.
- The data set cannot be a PDS or PDS member.
- You can specify a value for the subject's common name in the certificate, if wanted.
  - If no value is specified, the PKDS record's label is used as the common name.

### Notes:

- The key record that is specified must be a public or private key pair record and must support signing.
  - The certificate has a 20-year validity period.
  - The certificate that is created is self-signed and DER encoded (binary).
1. Select the 'Export the PKDS record's public key to a certificate data set' option, enter the name of the dataset for the certificate, the optional common name, and press ENTER.

```

CSFPKY00 ----- ICSF - PKDS Keys -----

COMMAND ==>

Enter the RSA record's label for the actions below
==> PKDS.LABEL

Select one of the following actions then press ENTER to process:

_ Generate a new RSA or EC key pair record. Select one key type/size.
  RSA key bit length: _ 512 _ 1024 S 2048 _ 3072 _ 4096
  EC NIST Curve       : _ p192 _ p224 _ p256 _ p384 _ p521
  EC Brainpool Curve: _ p160 _ p192 _ p224 _ p256 _ p320 _ p384 _ p512
  Enter Private Key Name (optional)
  ==>

_ Delete the existing public key or key pair PKDS record

S Export the PKDS record's public key to a certificate data set
  Enter the DSN ==> 'CSF.PKDS.LABEL.PUBLIC.KEY.CERT'
  Enter desired subject's common name (optional)
  CN=

_ Create a PKDS public key record from an input certificate.
  Enter the DSN ==>

```

Figure 283. Exporting a public key in a X.509 certificate

2. When Export is successful, the PKDS Public Key Export Successful panel is displayed.

```
CSFPKY03 ----- ICSF - PKDS Public Key Export Successful-----  
  
Label ==> PKDS.LABEL  
Output Data Set ==> 'CSF.PKDS.LABEL.PUBLIC.KEY.CERT'  
  
Export to certificate successful. Binary (DER) certificate created.  
Press ENTER or END to return to the previous menu.  
COMMAND ==>
```

Figure 284. Public key export successful

## Import a public key from an X.509 certificate received from elsewhere

This utility is used to build a public PKDS key record from an X.509 digital certificate sent to you by another party. When completed, you can send the other party data that is enciphered under the public, which the other party can recover.

- The data set name that is supplied must contain the certificate
- The certificate must be a single DER encoded certificate.
- Base64 encoded certificates are not supported.
- The data set containing the certificate must be physical sequential with RECFM(V B).
- The data set cannot be a PDS or PDS member.

**Note:** No signature check is performed on the certificate.

1. Select the 'Create a PKDS public key record from an input certificate' option, specify the source dataset name, and press ENTER.

```
CSFPKY00 ----- ICSF - PKDS Keys -----  
COMMAND ==>  
  
Enter the RSA record's label for the actions below  
==> PKDS.LABEL  
  
Select one of the following actions then press ENTER to process:  
  
_ Generate a new RSA or EC key pair record. Select one key type/size.  
RSA key bit length: _ 512 _ 1024 _ 2048 _ 3072 _ 4096  
EC NIST Curve      : _ p192 _ p224 _ p256 _ p384 _ p521  
EC Brainpool Curve: _ p160 _ p192 _ p224 _ p256 _ p320 _ p384 _ p512  
Enter Private Key Name (optional)  
==>  
  
_ Delete the existing public key or key pair PKDS record  
  
_ Export the PKDS record's public key to a certificate data set  
Enter the DSN ==>  
Enter desired subject's common name (optional)  
CN=  
  
S Create a PKDS public key record from an input certificate.  
Enter the DSN ==> 'CSF.NEW.PUBLIC.KEY.CERT'
```

Figure 285. Importing a public key in a X.509 certificate

2. When Import is successful, the PKDS Public Key Import Successful panel is displayed.

```

CSFPKY05 ----- ICSF - PKDS Public Key Import Successful-----

Label ==> PKDS.LABEL
Input Data Set ==> 'CSF.NEW.PUBLIC.KEY.CERT'

Import from certificate successful. Public key PKDS entry created.
Press ENTER or END to return to the previous menu.

COMMAND ==>

```

*Figure 286. Public key import successful*

## Troubleshooting

For the various functions, these expected errors generate an error message without presenting a new panel:

1. Panel input errors (for example, not specifying a PKDS label to work with).
2. ICSF not active.
3. Authorization failures (all functions).
4. Incorrect label syntax (all functions).
5. PKDS label exists (Generate and Import only).
6. PKDS label that is not found (Delete and Export only).
7. Specifying a PDS member (Import and Export only).
8. Cannot export a public key only PKDS record (Export only).

Unexpected ICSF callable service errors from any function cause the PKDS Key Request Failed panel to appear.

```

CSFPKY02 ----- ICSF - PKDS Key Request Failed -----

Label ==> PKDS.LABEL

Key function failed
ICSF RETURN CODE: ret-code REASON CODE: rsn-code

See the z/OS Cryptographic Services ICSF Application Programmer's Guide for
information on these return and reason codes.

Press ENTER or END to return to the previous menu.

COMMAND ==>

```

*Figure 287. PKDS Key Request Failed*

Non-ICSF related errors for export cause the PKDS Public Key Export Failure panel to appear.

```
CSFPKY04 ----- ICSF - PKDS Public Key Export Failure --- <error-msg>

Label ==> PKDS.LABEL
Output Data Set ==> 'CSF.PKDS.LABEL.PUBLIC.KEY.CERT'

Export to certificate failed. Press PF1 for more information.
Press ENTER or END to return to the previous menu.

COMMAND ==>
```

*Figure 288. PKDS Public Key Export Failure*

Non-ICSF related errors for import cause the PKDS Public Key Import Failure panel to appear.

```
CSFPKY06 ----- ICSF - PKDS Public Key Import Failure --- <error-msg>

Label ==> PKDS.LABEL
Input Data Set ==> 'CSF.NEW.PUBLIC.KEY.CERT'

Import from certificate failed. Press PF1 for more information.
Press ENTER or END to return to the previous menu.

COMMAND ==>
```

*Figure 289. PKDS Public Key Import Failure*

---

## Chapter 19. Using PKCS11 Token Management Utility

PKCS #11 is a standard set of programming interfaces for cryptographic functions. A subset of these functions is supported by ICSF. In the context of PKCS #11, a token is a representation of a cryptographic device, such as a smart card reader.

The PKCS11 token utility allows management of PKCS #11 tokens and objects in the TKDS. The user must have SAF authority to manage tokens and SAF authority to a token to manage the objects of a token.

---

### SAF controls used by the PKCS11 Token Browser

CRYPTOZ is a resource class defined in SAF in support of PKCS #11. Access to PKCS #11 tokens in ICSF is controlled by the CRYPTOZ class, with different access levels as well as a differentiation between standard users and security officers. For each token, there are two resources in the CRYPTOZ class for controlling access to tokens:

- The resource *USER.token-name* controls the access of the User role to the token.
- The resource *SO.token-name* controls the access of the Security Officer (SO) role to the token.

A user's access level to each of these resources (read, update, or control) determines the user's access level to the token.

There are six possible token access levels. Three are defined by the PKCS #11 standard, and three are unique to z/OS. The PKCS #11 token access levels are:

- User R/O: Allows the user to read the token including its private objects, but the user cannot create new token or session objects or alter existing ones.
- User R/W: Allows the user read/write access to the token object including its private objects.
- SO R/W: Allows the user to act as the security officer for the token and to read, create, and alter public objects on the token.

The token access levels unique to z/OS are:

- Weak SO: A security officer that can modify the CA certificates contained in a token but not initialize the token. (For example, a system administrator who determines the trust policy for all applications on the system.)
- Strong SO: A security officer that can add, generate or remove private objects in a token. (For example, a server administrator.)
- Weak User: A User that cannot change the trusted CAs contained in a token. (For example, to prevent an end-user from changing the trust policy of his or her token.)

Table 63 on page 398 shows how a user's access level to a token is derived from the user's access level to a resource in the SAF CRYPTOZ class.

Table 63. Token access levels

<b>CRYPTOZ resource</b>	<b>SAF access level / READ</b>	<b>SAF access level / UPDATE</b>	<b>SAF access level / CONTROL</b>
<b>SO.token-label</b>	Weak SO  Can read, create, delete, modify, and use public objects	SO R/W  Same ability as Weak SO plus can create and delete tokens	Strong SO  Same ability as SO R/W plus can read but not use (see Note "1" on page 398) private objects; create, delete, and modify private objects
<b>USER.token-label</b>	User R/O  Can read and use (see Note "1" on page 398) public and private objects	Weak User  Same ability as User R/O plus can create, delete, and modify private and public objects. Cannot add, delete, or modify certificate authority objects	User R/W  Same ability as Weak User plus can add, delete, and modify certificate authority objects

**Note:**

1. "Use" is defined as any of these:

- Performing any cryptographic operation involving the key object; for example C\_Encrypt.
- Searching for key objects using sensitive search attributes.
- Retrieving sensitive key object attributes.

The sensitive attribute for a secret key is CKA\_VALUE. The sensitive attribute for the Diffie Hellman, DSA, and Elliptic Curve private key objects is CKA\_VALUE. The sensitive attributes for RSA private key objects are CKA\_PRIVATE\_EXPONENT, CKA\_PRIME\_1, CKA\_PRIME\_2, CKA\_EXPONENT\_1, CKA\_EXPONENT\_2, and CKA\_COEFFICIENT.

2. The CRYPTOZ resources can be defined as "RACF-DELEGATED" if required. For information about delegated resources, see [z/OS Security Server RACF Security Administrator's Guide](#).
3. If the CSFSERV class is active, ICSF performs access control checks on the underlying callable services. The user must have READ access to the appropriate CSFSERV class resource. [Table 64 on page 398](#) lists the resources in the CSFSERV class for token services.
4. READ access is required for token management via RACDCERT or gskkyman command. To manage tokens through the token browser panels, you'll need READ access to services listed in [Table 64 on page 398](#).

Table 64. Resources in the CSFSERV class for token services

<b>Name of resource</b>	<b>Service</b>
<b>CSF1GAV</b>	Get object attributes.
<b>CSF1SAV</b>	Update object attributes.
<b>CSF1TRC</b>	Token or object creation.
<b>CSF1TRD</b>	Token or object deletion.
<b>CSF1TRL</b>	Token or object find.



5. Although the use of generic profiles is permitted for the CRYPTOZ class, we recommend that you do not use a single generic profile to cover both the `SO.token-label` and `USER.token-label` resources. You should not do this, because another resource (`FIPSEXEMPT.token-label`, which is described in [z/OS Cryptographic Services ICSF Writing PKCS #11 Applications](#)) can be used to indicate whether compliance with the FIPS 140-2 standard is desired at the token level. Creating a profile that uses generic characters to match both the SO and USER portion of the resource names (for example `*.token-label`) will also inadvertently match the `FIPSEXEMPT.token-label` resource and can have unintended consequences.
6. UPDATE access to the CSFBRTK profile in the CSFSERV class is required to modify metadata for the common record format TKDS. This includes modifying the cryptoperiod dates and archive flags and archiving and recalling records.

## Auditing

ICSF logs audit records for actions taken by the PKCS11 Token utility. The audit records that are logged are dependent on the `AUDITKEYLIFETKDS` option setting. If key life cycle auditing is enabled, ICSF records SMF type 82 subtype 42 records for the label modified. If key life cycle auditing is disabled, ICSF records SMF type 82 subtype 23 records for the label modified. For additional information, see [z/OS Cryptographic Services ICSF System Programmer's Guide](#).

## Managing PKCS11 tokens and objects in the TKDS

Use the PKCS11 Token Management Utility to manage tokens and objects in the TKDS.

- [“Creating tokens” on page 400](#)
- [“Deleting tokens” on page 401](#)
- [“Listing tokens” on page 403](#)
- [“Managing the objects of a token” on page 403](#)

1. From the ICSF Primary menu, select option 5, UTILITY.

```
HCR77D0 ----- Integrated Cryptographic Service Facility -----
OPTION ==> 5

Enter the number of the desired option.

  1 COPROCESSOR MGMT - Management of Cryptographic Coprocessors
  2 KDS MANAGEMENT  - Master key set or change, KDS processing
  3 OPSTAT           - Installation options
  4 ADMINCNTL       - Administrative Control Functions
  5 UTILITY          - ICSF Utilities
  6 PPINIT          - Pass Phrase Master Key/KDS Initialization
  7 TKE             - TKE PKA Direct Key Load
  8 KGUP            - Key Generator Utility processes
  9 UDX MGMT        - Management of User Defined Extensions
```

*Figure 290. ICSF primary menu panel*

2. The ICSF Utilities panel appears. Select option 7, PKCS11 TOKEN, to access the ICSF Token Management - Main Menu panel.

**Note:** Option 7 appears on the Utilities panel only if you specify a TKDS in the ICSF installation options data set.

```

CSFUTL00 ----- ICSF - Utilities -----
OPTION ==> 7

Enter the number of the desired option.
1 ENCODE          - Encode data
2 DECODE          - Decode data
3 RANDOM          - Generate a random number
4 CHECKSUM        - Generate a checksum and verification patterns
5 CKDSKEYS        - Manage keys in the CKDS
6 PKDSKEYS        - Manage keys in the PKDS
7 PKCS11 TOKEN    - Manage PKCS11 tokens

Press ENTER to go to the selected option.
Press END to exit to the previous menu.

```

*Figure 291. ICSF Utilities panel*

3. The Token Management Main Menu panel appears.

```

CSFTBR00 ----- ICSF Token Management - Main Menu -----

1 Create a new token
2 Delete an existing token
3 Manage an existing token
4 List existing tokens

Full or partial token name _____

Press ENTER to go to the selected option.
Press END to exit to the previous menu.

OPTION ==>

```

*Figure 292. ICSF Token Management - main menu panel*

## Creating tokens

You can use the PKCS11 Token utility to create new tokens in the TKDS. You must have SAF authority to the token name.

1. On the Token Management Main Menu panel, specify the full name of the token in the name field and option 1 and press ENTER.

```

CSFTBR00 ----- ICSF Token Management - Main Menu -----

1 Create a new token
2 Delete an existing token
3 Manage an existing token
4 List existing tokens

Full or partial token name _____

Press ENTER to go to the selected option.
Press END to exit to the previous menu.

OPTION ==>

```

*Figure 293. ICSF Token Management - main menu panel*

2. When the creation is successful, the PKCS11 Token Create Successful panel is displayed.

```

CSFTBR01 ----- ICSF - PKCS11 Token Create Successful -----
Token name ==> NEW.SAMPLE.TOKEN
Token creation completed successfully.
Press END to exit to the previous menu.
COMMAND ==>

```

*Figure 294. Token Create Successful panel*

## Deleting tokens

You can delete tokens from the TKDS with the PKCS11 Token utility. There are two ways to delete a token:

- [“Using the Token Management Main Menu panel” on page 401](#)
- [“Using the List tokens panel” on page 402](#)

### Using the Token Management Main Menu panel

1. On the Token Management Main Menu panel, specify the full name of the token in the name field and option 2 and press ENTER.

```

CSFTBR00 ----- ICSF Token Management - Main Menu -----
1 Create a new token
2 Delete an existing token
3 Manage an existing token
4 List existing tokens

Full or partial token name _____

Press ENTER to go to the selected option.
Press END to exit to the previous menu.
OPTION ==> 2

```

*Figure 295. ICSF Token Management - main menu panel*

2. The Delete Confirmation panel appears. If you want to delete the token, specify a Y in the answer field and press ENTER. If you do not want to delete the token, press END.

```

CSFTBR02 ----- ICSF - Delete Confirmation -----
Are you sure you want to delete token SAMPLE.TOKEN?

==> __ Enter Y to confirm

```

*Figure 296. Delete Confirmation panel*

3. When the deletion is successful, the PKCS11 Token Delete Successful panel is displayed.

```

CSFTBR03 ----- ICSF - PKCS11 Token Delete Successful -----

Token name ==> SAMPLE.TOKEN
Token was deleted successfully

Press END to return to the previous menu.
COMMAND ==>

```

*Figure 297. Token Delete Successful panel*

## Using the List tokens panel

1. On the Token Management Main Menu panel, specify option 4 and press ENTER to display the List Tokens panel. You can specify a partial name in the name field.

```

CSFTBR00 ----- ICSF Token Management - Main Menu -----

 1 Create a new token
 2 Delete an existing token
 3 Manage an existing token
 4 List existing tokens

Full or partial token name _____

Press ENTER to go to the selected option.
Press END to exit to the previous menu.

OPTION ==> 4

```

*Figure 298. ICSF Token Management - main menu panel*

2. On the List Tokens panel, specify D next to the token or tokens you want to delete.

```

CSFTBR10 ----- ICSF Token Management - List Tokens ---- Row 1 to 4 of 4

Select a token to manage(M) or delete(D) then press ENTER

Press END to return to the previous menu.

D SAMPLE.TOKEN
- TOKEN.BOB
- TOKEN.FRED
- TOKEN.FRED.SECONDARY

COMMAND ==>

```

*Figure 299. ICSF Token Management – List Tokens panel*

3. When you press ENTER, the Delete Confirmation panel appears for each token you selected to delete. If you want to delete this record, enter Y and press ENTER. If you do not want to delete this record, press END.

```

CSFTBR02 ----- ICSF - Delete Confirmation -----

Are you sure you want to delete token SAMPLE.TOKEN?

==> Y   Enter Y to confirm

COMMAND ==>

```

*Figure 300. ICSF Token Management – Delete Confirmation panel*

4. When the deletion is successful, the PKCS11 Token Delete Successful panel is displayed.

```

CSFTBR03 ----- ICSF - PKCS11 Token Delete Successful -----
Token name ==> SAMPLE.TOKEN
Token was deleted successfully.
Press END to exit to the previous menu.
COMMAND ==>

```

*Figure 301. ICSF Token Management – Token Delete Successful panel*

## Listing tokens

You can list the PKCS11 tokens in the TKDS that you have SAF authority to manage. You can supply a partial token name (leftmost one or more characters) in the name field or leave blank to get a list of all tokens.

1. On the Token Management Main Menu panel, specify option 4 and press ENTER to display the List Tokens panel.

```

CSFTBR00 ----- ICSF Token Management - Main Menu -----
1 Create a new token
2 Delete an existing token
3 Manage an existing token
4 List existing tokens

Full or partial token name _____

Press ENTER to go to the selected option.
Press END to exit to the previous menu.

OPTION ==> 4

```

*Figure 302. ICSF Token Management - main menu panel*

2. On the List Tokens panel, you can delete token or manage tokens. You may select any number of tokens.

```

CSFTBR10 ----- ICSF Token Management - List Tokens ---- Row 1 to 4 of 4
Select a token to manage(M) or delete(D) then press ENTER
Press END to return to the previous menu.

- SAMPLE.TOKEN
- TOKEN.BOB
- TOKEN.FRED
- TOKEN.FRED.SECONDARY

COMMAND ==>

```

*Figure 303. ICSF Token Management – List Tokens panel*

## Managing the objects of a token

You can view the objects of a token using the PKCS11 Token Management Utility. You can view the object attributes of those objects for which you have SAF authority. You can change the value of some of the attributes.

1. On the Token Management Main Menu panel, specify option 4 and press ENTER to display the List Tokens panel.

```

CSFTBR00 ----- ICSF Token Management - Main Menu -----
 1 Create a new token
 2 Delete an existing token
 3 Manage an existing token
 4 List existing tokens

Full or partial token name -----

Press ENTER to go to the selected option.
Press END to exit to the previous menu.

OPTION ==> 4

```

*Figure 304. ICSF Token Management - main menu panel*

2. On the List Tokens panel, you can display the objects of a token by specifying a M next to the token you wish to manage. You may select any number of tokens.

```

CSFTBR10 ----- ICSF Token Management - List Tokens ---- Row 1 to 4 of 4

Select a token to manage(M) or delete(D) then press ENTER

Press END to return to the previous menu.

M SAMPLE.TOKEN
_ TOKEN.BOB
_ TOKEN.FRED
_ TOKEN.FRED.SECONDARY

COMMAND ==>

```

*Figure 305. ICSF Token Management – List Tokens panel*

3. The Token Details panel appears.

- When the format of your TKDS is the common record format (KDSR), panel CSFTBR21 appears. See [“Managing objects with the KDSR format TKDS”](#) on page 404.
- When the format is your TKDS is the non-KDSR, panel CSFTBR20 appears. See [“Managing objects with the non-KDSR format TKDS”](#) on page 423.

## Managing objects with the KDSR format TKDS

The Token Details panel lists all objects of the token, a summary of the attributes, and the status of the record.

- [“Archiving a record”](#) on page 405
- [“Deleting an object”](#) on page 409
- [“Displaying the details of an object”](#) on page 414
- [“Displaying and changing record metadata”](#) on page 415
- [“Prohibiting the archival of a record”](#) on page 416
- [“Recalling a record”](#) on page 419

```

CSFTBR21 ----- ICSF Token Management - Token Details -----

Token name: SAMPLE.TOKEN
Manufacturer: z/OS PKCS11 API
Model: HCR7740
Serial Number: 0

Number of objects: 7

Action Characters:  A, D, M, P, R, S  See help panel for details

Status characters: - Active  A Archived  I Inactive

Select objects to process then press ENTER

Press END to return to the previous menu.
A S
-----
_ - Object 00000001T DATA          PRIVATE: TRUE MODIFIABLE: TRUE
  LABEL:          Data for lastpass
  APPLICATION:    90893E31
  OBJECT ID:      Not-specified
  VALUE:          0123456789ABCDEF

_ - Object 00000002T CERTIFICATE    PRIVATE: FALSE MODIFIABLE: TRUE
                                     DEFAULT: TRUE CATEGORY: Unspecified
  LABEL:          Certificate XGH52
  SUBJECT:        OU=PKCS11 Test End-Entity, O=IBM, C=US
  ID:             E7C7C8F5F260C6C360D5D9E36DF3
  ISSUER:         OU=PKCS11 Test CA, O=IBM, C=US
  SERIAL NUMBER: 01

_ A Object 00000003T ???           PRIVATE: ??? MODIFIABLE: ???
  NOT AUTHORIZED TO BROWSE

_ I Object 00000004T SECRET KEY     PRIVATE: TRUE MODIFIABLE: TRUE
                                     EXTRACTABLE: TRUE SENSITIVE: FALSE
  LABEL:          bulk data key9EC3
  ID:             F6F4E7E9F4F5C6F3
  KEY TYPE:       DES2
  VALUE LEN:      16
  USAGE FLAGS:    Enc(T),Sign(T),Wrap(F),Derive(F),Dec(T),Verify(T),Unwrap(F)

_ - Object 00000005T PUBLIC KEY     PRIVATE: FALSE MODIFIABLE: TRUE
  LABEL:          public key cx021A
  SUBJECT:        Not-specified
  ID:             83A7F0F2F1C1
  MODULUS:        86E1B7C7594E4B6B963C4A1D361A23839567A993D05FC0F2D6C0EB1E...
  MODULUS BITS:  1024
  USAGE FLAGS:    Enc(F),Verify(T),VerifyR(F),Wrap(T),Derive(F)

_ - Object 00000006T PRIVATE KEY    PRIVATE: TRUE MODIFIABLE: TRUE
                                     EXTRACTABLE: TRUE SENSITIVE: FALSE
  LABEL:          privatekey cx021A
  SUBJECT:        Not-specified
  ID:             83A7F0F2F1C1
  MODULUS:        86E1B7C7594E4B6B963C4A1D361A23839567A993D05FC0F2D6C0EB1E...
  USAGE FLAGS:    Dec(F),Sign(T),SignR(F),Unwrap(T),Derive(F)

_ - Object 00000007T: DOMAIN PARAMS PRIVATE: FALSE MODIFIABLE: TRUE
  LABEL:          My DSA Domain Parameters
  KEY TYPE:       DSA
  PRIME BITS:     1024
  PRIME:          51c3d4df9048626B9AD71EF6F3234554df9048626B9AD71EF6F3...
  SUB PRIME:      df9048626B9AD71EF6F33081890df9048626B9AD
  BASE:           B9AD71EF6F3234554df9048626B9AD71EF0B9AD71EF6F3234554...

COMMAND ==>

```

Figure 306. Token details panel for KDSR format TKDS

### Archiving a record

Set the 'Archive flag' to true to disallow the use of the key in the record. ICSF fails if the label of an archived record is specified in a call to a service. There are two ways that you can archive an object:

- [“Using the Token Management Token Details panel” on page 406](#)
- [“Using the Token Management Record Metadata panel” on page 407](#)

## Using the Token Management Token Details panel

1. On the Token Details panel, specify A in the 'A' column next to the label or labels you want to archive.

```

CSFTBR21 ----- ICSF Token Management - Token Details -----
Token name: SAMPLE.TOKEN
Manufacturer: z/OS PKCS11 API
Model: HCR7740
Serial Number: 0

Number of objects: 7

Action Characters:   A, D, M, P, R, S  See help panel for details

Status characters:  - Active   A Archived   I Inactive

Select objects to process then press ENTER

Press END to return to the previous menu.
A S
-----
_ - Object 00000001T DATA                PRIVATE: TRUE MODIFIABLE: TRUE
  LABEL:                Data for lastpass
  APPLICATION:          90893E31
  OBJECT ID:            Not-specified
  VALUE:                0123456789ABCDEF

A - Object 00000002T CERTIFICATE          PRIVATE: FALSE MODIFIABLE: TRUE
                                     DEFAULT: TRUE CATEGORY: Unspecified
  LABEL:                Certificate XGH52
  SUBJECT:              OU=PKCS11 Test End-Entity, O=IBM, C=US
  ID:                   E7C7C8F5F260C6C360D5D9E36DF3
  ISSUER:               OU=PKCS11 Test CA, O=IBM, C=US
  SERIAL NUMBER:       01

COMMAND ==>>>

```

*Figure 307. Token details panel with an object selected for archival*

2. When you press ENTER, the Record Archive Confirmation panel is displayed for every record that is selected to be archived. If you want to archive this record, press ENTER. If you do not want to archive this record, press END. If you select the option 'Set record archive confirmation off', all remaining records are confirmed and archived.

```

CSFBRA00 ----- ICSF - Record Archive Confirmation -----
COMMAND ==>>>

Record label to be archived:
SAMPLE.TOKEN                                00000002T

Enter "/" to select option
_ Set record archive confirmation off

Press ENTER to confirm archive.
Press END to return to the previous panel.

```

*Figure 308. Record Archive Confirmation panel*

3. Every record that you confirmed is archived.



```

CSFTBR21 ----- ICSF Token Management - Token Details -----
Token name: SAMPLE.TOKEN
Manufacturer: z/OS PKCS11 API
Model: HCR7740
Serial Number: 0

Number of objects: 7

Action Characters:   A, D, M, P, R, S  See help panel for details
Status characters:  - Active   A Archived   I Inactive

Select objects to process then press ENTER

Press END to return to the previous menu.
A S
-----
_ - Object 00000001T DATA                PRIVATE: TRUE MODIFIABLE: TRUE
  LABEL:                Data for lastpass
  APPLICATION:          90893E31
  OBJECT ID:            Not-specified
  VALUE:                0123456789ABCDEF

_ A Object 00000002T CERTIFICATE          PRIVATE: FALSE MODIFIABLE: TRUE
                                     DEFAULT: TRUE CATEGORY: Unspecified
  LABEL:                Certificate XGH52
  SUBJECT:              OU=PKCS11 Test End-Entity, O=IBM, C=US
  ID:                   E7C7C8F5F260C6C360D5D9E36DF3
  ISSUER:               OU=PKCS11 Test CA, O=IBM, C=US
  SERIAL NUMBER:       01

COMMAND ==>>>

```

*Figure 309. Token details panel with the object archived*

## Using the Token Management Record Metadata panel

1. On the Token Details panel, specify S in the 'A' column to select the objects you wish to archive. The Record Metadata panel appears.

```

CSFTBR21 ----- ICSF Token Management - Token Details -----
Token name: SAMPLE.TOKEN
Manufacturer: z/OS PKCS11 API
Model: HCR7740
Serial Number: 0

Number of objects: 7

Action Characters:   A, D, M, P, R, S  See help panel for details
Status characters:  - Active   A Archived   I Inactive

Select objects to process then press ENTER

Press END to return to the previous menu.
A S
-----
- - Object 00000001T DATA                PRIVATE: TRUE MODIFIABLE: TRUE
  LABEL:                Data for lastpass
  APPLICATION:          90893E31
  OBJECT ID:            Not-specified
  VALUE:                0123456789ABCDEF

S - Object 00000002T CERTIFICATE          PRIVATE: FALSE MODIFIABLE: TRUE
                                     DEFAULT: TRUE CATEGORY: Unspecified
  LABEL:                Certificate XGH52
  SUBJECT:              OU=PKCS11 Test End-Entity, O=IBM, C=US
  ID:                   E7C7C8F5F260C6C360D5D9E36DF3
  ISSUER:               OU=PKCS11 Test CA, O=IBM, C=US
  SERIAL NUMBER:        01

COMMAND ==>>>

```

Figure 310. Token details panel with an object selected

- Specify a new value of TRUE for the Archived flag, enter 1 on the 'Select an action' line, and press ENTER.

```

CSFTBR22 ----- ICSF Token Management - Record Metadata -----
Object handle: SAMPLE.TOKEN                00000002T
Record status: Deactivated                 (Archived, Active, Preactive, Deactivated)

Select an action: 1
  1 Modify one or more fields with the new values specified
  2 Delete the record

Metadata                YYYYMMDD                YYYYMMDD
Record creation date:   20130609
Update date:           20130909
Cryptoperiod start date: 20140101           New value: -----
Cryptoperiod end date:  20141231           New value: -----
Date the record was last used: 00000000     New value: -----
Service called when last used:
Date the record was recalled: 00000000
Date the record was archived: 00000000
Archived flag:          False               New value: TRUE_
Prohibit archive flag:  False               New value: -----

Press ENTER to process
Press END to return to the previous panel

COMMAND ==>>>

```

Figure 311. Selecting to archive the object

- The Archived flag is True and the Record status is changed to Archived.

```

CSFTBR22 ----- ICSF Token Management - Record Metadata -----
Object handle: SAMPLE.TOKEN                                00000002T
Record status: Archived      (Archived, Active, Preactive, Deactivated)
Select an action: 1
  1 Modify one or more fields with the new values specified
  2 Delete the record

Metadata                YYYYMMDD                YYYYMMDD
Record creation date:   20130609
Update date:           20130909
Cryptoperiod start date: 20140101      New value: -----
Cryptoperiod end date:  20141231      New value: -----
Date the record was last used: 00000000      New value: -----
Service called when last used:
Date the record was recalled: 00000000
Date the record was archived: 00000000
Archived flag:         True           New value: -----
Prohibit archive flag: False         New value: -----

Press ENTER to process
Press END to return to the previous panel

COMMAND ==>>>

```

Figure 312. The object is archived

## Deleting an object

There are three ways that you can delete an object:

- [“Using the Token Management Token Details panel” on page 409](#)
- [“Using the Token Management Object Details panel” on page 411](#)
- [“Using the Token Management Record Metadata panel” on page 412](#)

## Using the Token Management Token Details panel

1. On the Token Details panel, specify D in the 'A' column next to the label or labels you want to delete.

```

CSFTBR21 ----- ICSF Token Management - Token Details -----
Token name: SAMPLE.TOKEN
Manufacturer: z/OS PKCS11 API
Model: HCR7740
Serial Number: 0

Number of objects: 7

Action Characters:  A, D, M, P, R, S  See help panel for details
Status characters: - Active  A Archived  I Inactive

Select objects to process then press ENTER

Press END to return to the previous menu.
A S
-----
_ - Object 00000001T DATA          PRIVATE: TRUE MODIFIABLE: TRUE
  LABEL:          Data for lastpass
  APPLICATION:    90893E31
  OBJECT ID:      Not-specified
  VALUE:          0123456789ABCDEF

D - Object 00000002T CERTIFICATE    PRIVATE: FALSE MODIFIABLE: TRUE
                                     DEFAULT: TRUE CATEGORY: Unspecified
  LABEL:          Certificate XGH52
  SUBJECT:        OU=PKCS11 Test End-Entity, O=IBM, C=US
  ID:             E7C7C8F5F260C6C360D5D9E36DF3
  ISSUER:         OU=PKCS11 Test CA, O=IBM, C=US
  SERIAL NUMBER:  01

COMMAND ==>

```

*Figure 313. Token details panel with an object selected for deletion*

- When you press ENTER, the Record Delete Confirmation panel is displayed for every record that is selected to be deleted. If you want to delete this record, press ENTER. If you do not want to delete this record, press END. If you select the option 'Set record delete confirmation off', all remaining records are confirmed and deleted.

```

CSFBRA00 ----- ICSF - Record Delete Confirmation -----
COMMAND ==>

Record label to be deleted:
SAMPLE.TOKEN                                00000002T

Enter "/" to select option
_ Set record delete confirmation off

Press ENTER to confirm delete.
Press END to return to the previous panel.

```

*Figure 314. Record Delete Confirmation panel*

- Every record that you confirmed is deleted. When the deletion is successful, the PKCS11 Token Delete Successful panel is displayed.

```

CSFTBR03 ----- ICSF - PKCS11 Token Delete Successful -----

Object name ==> SAMPLE.TOKEN

Object was deleted successfully

Press END to return to the previous menu.

COMMAND ===>

```

*Figure 315. Object Delete Successful panel*

## Using the Token Management Object Details panel

1. On the Token Details panel, specify S in the 'A' column next to the label or labels you want to process and press ENTER.

```

CSFTBR21 ----- ICSF Token Management - Token Details -----

Token name: SAMPLE.TOKEN
Manufacturer: z/OS PKCS11 API
Model: HCR7740
Serial Number: 0

Number of objects: 7

Action Characters:   A, D, M, P, R, S   See help panel for details

Status characters: - Active   A Archived   I Inactive

Select objects to process then press ENTER

Press END to return to the previous menu.
A S
-----
- - Object 00000001T DATA                PRIVATE: TRUE MODIFIABLE: TRUE
  LABEL:                Data for lastpass
  APPLICATION:          90893E31
  OBJECT ID:            Not-specified
  VALUE:                0123456789ABCDEF

S - Object 00000002T CERTIFICATE          PRIVATE: FALSE MODIFIABLE: TRUE
                                     DEFAULT: TRUE CATEGORY: Unspecified
  LABEL:                Certificate XGH52
  SUBJECT:              OU=PKCS11 Test End-Entity, O=IBM, C=US
  ID:                   E7C7C8F5F260C6C360D5D9E36DF3
  ISSUER:               OU=PKCS11 Test CA, O=IBM, C=US
  SERIAL NUMBER:       01

COMMAND ===>

```

*Figure 316. Token details panel with an object selected*

2. The Object Details panel appears. Select the option 'Delete the entire object' and press ENTER.

```

----- ICSF Token Management - Object Details -----
Object handle: SAMPLE.TOKEN                00000002T
Select an Action: 3
  1 Process select DER fields(*) using external command.
    Enter UNIX command pathname (formatter must accept input from STDIN):
-----
  2 Modify one or more fields with the new values specified
  3 Delete the entire object
-----
                                (attributes of the object)

```

*Figure 317. Top of object details panel for a certificate object*

3. The Delete Confirmation panel appears. If you want to delete the token, specify Y in the answer field and press ENTER. If you do not want to delete the token, press END.

```

CSFTBR02 ----- ICSF - Delete Confirmation -----
Are you sure you want to delete object SAMPLE.TOKEN    00000002T?

===> __  Enter Y to confirm

```

*Figure 318. Delete Confirmation panel*

4. When the deletion is successful, the PKCS11 Token Delete Successful panel is displayed.

```

CSFTBR03 ----- ICSF - PKCS11 Token Delete Successful -----

Object name ==> SAMPLE.TOKEN
Object was deleted successfully

Press END to return to the previous menu.

COMMAND ==>

```

*Figure 319. Object Delete Successful panel*

## Using the Token Management Record Metadata panel

1. On the Token Details panel, specify M in the 'A' column to select the objects you wish to process and press ENTER. The Record Metadata panel appears.

```

CSFTBR21 ----- ICSF Token Management - Token Details -----
Token name: SAMPLE.TOKEN
Manufacturer: z/OS PKCS11 API
Model: HCR7740
Serial Number: 0

Number of objects: 7

Action Characters:  A, D, M, P, R, S  See help panel for details
Status characters: - Active  A Archived  I Inactive

Select objects to process then press ENTER

Press END to return to the previous menu.
A S
-----
- - Object 00000001T DATA                PRIVATE: TRUE MODIFIABLE: TRUE
  LABEL:                Data for lastpass
  APPLICATION:          90893E31
  OBJECT ID:            Not-specified
  VALUE:                0123456789ABCDEF

S - Object 00000002T CERTIFICATE          PRIVATE: FALSE MODIFIABLE: TRUE
                                     DEFAULT: TRUE CATEGORY: Unspecified
  LABEL:                Certificate XGH52
  SUBJECT:              OU=PKCS11 Test End-Entity, O=IBM, C=US
  ID:                   E7C7C8F5F260C6C360D5D9E36DF3
  ISSUER:               OU=PKCS11 Test CA, O=IBM, C=US
  SERIAL NUMBER:       01

COMMAND ==>>>

```

Figure 320. Token details panel with an object selected

- To delete the object, enter 2 on the 'Select an action' line, and press ENTER.

```

CSFTBR22 ----- ICSF Token Management - Record Metadata -----
Object handle: SAMPLE.TOKEN                00000001T
Record status: Deactivated                (Archived, Active, Preactive, Deactivated)

Select an action: 2
  1 Modify one or more fields with the new values specified
  2 Delete the record

Metadata                YYYYMMDD                YYYYMMDD
Record creation date:   20130609
Update date:           20130909
Cryptoperiod start date: 20140101                New value: -----
Cryptoperiod end date:  20141231                New value: -----
Date the record was last used: 00000000                New value: -----
Service called when last used:
Date the record was recalled: 00000000
Date the record was archived: 00000000
Archived flag:         False                New value: -----
Prohibit archive flag: False                New value: -----

Press ENTER to process
Press END to return to the previous panel

COMMAND ==>>>

```

Figure 321. Record Metadata panel

- The Delete Confirmation panel appears. If you want to delete the token, specify Y in the answer field and press ENTER. If you do not want to delete the token, press END.

```

CSFTBR02 ----- ICSF - Delete Confirmation -----
Are you sure you want to delete object SAMPLE.TOKEN      00000001T

===> _  Enter Y to
confirm

```

Figure 322. Delete Confirmation panel

4. When the deletion is successful, the PKCS11 Token Delete Successful panel is displayed.

```

CSFTBR03 ----- ICSF - PKCS11 Object Delete Successful -----

Object name ==> SAMPLE.TOKEN      00000001T
Object was deleted successfully

Press END to return to the previous menu.

COMMAND
===>

```

Figure 323. Object Delete Successful panel

### Displaying the details of an object

All of the attributes of the object are displayed on the object details panels. Each class of object has a different set of attributes. The panels for the object details can be found in [“Object details panels” on page 426](#).

On the object details panels, you can modify attributes or delete the object.

**Note:** Attributes can only be modified if the object attribute MODIFIABLE is true. Some panels provide a option to select DER fields for use with an external command.

```

----- ICSF Token Management - Object Details -----
Object handle: SAMPLE.TOKEN      00000002T

Select an Action: _
 1 Process select DER fields(*) using external command.
   Enter UNIX command pathname (formatter must accept input from STDIN):
-----
 2 Modify one or more fields with the new values specified
 3 Delete the entire object
-----

(attributes of the object)

```

Figure 324. Top of object details panel for a certificate object

### To modify the attributes of the object

1. Select a listed value (for example, TRUE for Boolean attributes) or type a new value in the field provided.
  - The ID input is a hex string with an even number of digits.
  - The LABEL input is an EBCDIC string.
  - To set an attribute value to a null string, specify two consecutive single quotes.
2. Select the option 'Modify one or more fields with the new values specified' and press ENTER.



3. The attributes are modified and the object details panel is updated with the new values.

### **To display a DER encoded field**

The UNIX command can receive input from either a file or STDIN. To receive input from a file, enter the command string placing a percent sign ('%') where the file name should be inserted. If no percent sign is present in the command string, the command receives input from STDIN.

Select the option 'Process select DER fields(\*) using external command', select an attribute in the left column, supply the UNIX command path name in the field below the option, and press ENTER.

### ***Displaying and changing record metadata***

On the Token Management Record Metadata panel, the following metadata is displayed:

- The record creation date and the last date the record was updated. If the record has not been updated, the field is zeros.
- The cryptoperiod's start and end dates. If the cryptoperiod dates are not set, the field is zeros.
- If you have key usage tracking enabled, the date the record was last used and the service that is called are displayed. Otherwise, these fields are zeros or blank.
- If the record has been recalled, the date that the record was recalled is displayed. Otherwise, the field is zeros. Note that the archive date is cleared when a record is recalled.
- If the record has been archived, the date that the record was archived is displayed. Otherwise, the field is zeros.
- The current value of the Archived flag is displayed.
- The current value of the Prohibit archived flag is displayed.

There are several fields that can be updated on the panels:

- The cryptoperiod's start and end dates can be updated. The end date must be today's date or a date in the future. The start date must be a date that occurs before the end date. The earliest valid start date is January 1, 1900, and the latest valid start date is June 4, 2185.
- The date that the record was last used can be updated. Set this date to zeros to clear the value or set to any date in the past.
- The Archived flag can be enabled or disabled.
- The Prohibit Archive flag can be enabled or disabled.

**Note:** Setting the Archived flag to true causes ICSF to not allow the key to be used. Services trying to use the key fail. Setting the Prohibit archive flag to true causes ICSF to not allow the record to be archived. If the record is archived, the Prohibit archive flag cannot be set to true.

```

CSFTBR22 ----- ICSF Token Management - Record Metadata -----
Object handle: SAMPLE.TOKEN                                00000001T
Record status: Deactivated      (Archived, Active, Preactive, Deactivated)

Select an action: _
  1 Modify one or more fields with the new values specified
  2 Delete the record

Metadata                YYYYMMDD                YYYYMMDD
Record creation date:   20130609
Update date:           20130909
Cryptoperiod start date: 20140101      New value: -----
Cryptoperiod end date:  20141231      New value: -----
Date the record was last used: 00000000      New value: -----
Service called when last used:
Date the record was recalled: 00000000
Date the record was archived: 00000000
Archived flag:         False          New value: -----
Prohibit archive flag: False          New value: -----

Press ENTER to process
Press END to return to the previous panel

COMMAND ===>

```

Figure 325. Token Management Record Metadata panel

Update the metadata fields that you want to change, enter 1 on the 'Select an action' line, and press ENTER. The CKDS Key Attributes and Metadata panel displays the new values.

### ***Prohibiting the archival of a record***

Set the 'Prohibit archive flag' to TRUE for a record so that any attempt to archive the record fails. There are two methods that you can use to prohibit the archival of a record:

- [“Using the Token Management Token Details panel” on page 416.](#)
- [“Using the Token Management Record Metadata panel” on page 417.](#)

### **Using the Token Management Token Details panel**

1. On the Token Details panel, specify P in the 'A' column next to the object or objects you want to prohibit archival.

```

CSFTBR21 ----- ICSF Token Management - Token Details -----
Token name: SAMPLE.TOKEN
Manufacturer: z/OS PKCS11 API
Model: HCR7740
Serial Number: 0

Number of objects: 7

Action Characters:   A, D, M, P, R, S  See help panel for details

Status characters:  - Active   A Archived   I Inactive

Select objects to process then press ENTER

Press END to return to the previous menu.
A S
-----
_ - Object 00000001T DATA                PRIVATE: TRUE MODIFIABLE: TRUE
  LABEL:                Data for lastpass
  APPLICATION:          90893E31
  OBJECT ID:            Not-specified
  VALUE:                0123456789ABCDEF

P - Object 00000002T CERTIFICATE          PRIVATE: FALSE MODIFIABLE: TRUE
                                     DEFAULT: TRUE CATEGORY: Unspecified
  LABEL:                Certificate XGH52
  SUBJECT:              OU=PKCS11 Test End-Entity, O=IBM, C=US
  ID:                   E7C7C8F5F260C6C360D5D9E36DF3
  ISSUER:               OU=PKCS11 Test CA, O=IBM, C=US
  SERIAL NUMBER:       01

COMMAND ==>>

```

*Figure 326. Select the object to prohibit archival*

- When you press ENTER, the Record Prohibit Archive Confirmation panel is displayed for every record that is selected. If you want to enable the Prohibit archive flag for this record, press ENTER. If you do not want to enable the Prohibit archive flag for this record, press END. If you select the option 'Set record archive confirmation off', all remaining records are confirmed and prohibited from being archived.

```

CSFBRA00 ----- ICSF - Record Prohibit Archive Confirmation -----
COMMAND ==>>

Record label to be prohibit archiving:
SAMPLE.TOKEN                                00000002T

Enter "/" to select option
_ Set record prohibit archive confirmation off

Press ENTER to confirm Prohibit Archive.
Press END to return to the previous panel.

```

*Figure 327. Record Prohibit Archive Confirmation panel*

- Each record that you confirmed has the Prohibit Archive flag enabled. If the Prohibit Archive flag is already enabled, no change is made.

## Using the Token Management Record Metadata panel

- On the Token Details panel, specify S in the 'A' column to select the objects you wish to process. The Record Metadata panel appears.

```

CSFTBR21 ----- ICSF Token Management - Token Details -----
Token name: SAMPLE.TOKEN
Manufacturer: z/OS PKCS11 API
Model: HCR7740
Serial Number: 0

Number of objects: 7

Action Characters:   A, D, M, P, R, S  See help panel for details
Status characters:  - Active   A Archived   I Inactive

Select objects to process then press ENTER

Press END to return to the previous menu.
A S
-----
- - Object 00000001T DATA                PRIVATE: TRUE MODIFIABLE: TRUE
  LABEL:                Data for lastpass
  APPLICATION:          90893E31
  OBJECT ID:            Not-specified
  VALUE:                0123456789ABCDEF

S A Object 00000002T CERTIFICATE          PRIVATE: FALSE MODIFIABLE: TRUE
                                         DEFAULT: TRUE CATEGORY: Unspecified
  LABEL:                Certificate XGH52
  SUBJECT:              OU=PKCS11 Test End-Entity, O=IBM, C=US
  ID:                   E7C7C8F5F260C6C360D5D9E36DF3
  ISSUER:               OU=PKCS11 Test CA, O=IBM, C=US
  SERIAL NUMBER:       01

COMMAND ==>>>

```

Figure 328. Token details panel with an object selected

2. Specify a new value of FALSE for the Archived flag, enter 1 on the 'Select an action' line, and press ENTER.

```

CSFTBR22 ----- ICSF Token Management - Record Metadata -----
Object handle: SAMPLE.TOKEN                00000002T
Record status: Archived                    (Archived, Active, Preactive, Deactivated)

Select an action: 1
  1 Modify one or more fields with the new values specified
  2 Delete the record

Metadata                YYYYMMDD                YYYYMMDD
Record creation date:   20130609
Update date:           20130909
Cryptoperiod start date: 20140101           New value: _____
Cryptoperiod end date:  20141231           New value: _____
Date the record was last used: 00000000           New value: _____
Service called when last used:
Date the record was recalled: 00000000
Date the record was archived: 00000000
Archived flag:         False                New value: _____
Prohibit archive flag: False                New value: True_

Press ENTER to process
Press END to return to the previous panel

COMMAND ==>>>

```

Figure 329. Selecting to enable the 'Prohibit archive flag' for this record

3. The Prohibit archive flag is enabled.

```

CSFTBR22 ----- ICSF Token Management - Record Metadata -----
Object handle: SAMPLE.TOKEN                                00000002T
Record status: Active          (Archived, Active, Preactive, Deactivated)
Select an action: 1
  1 Modify one or more fields with the new values specified
  2 Delete the record

Metadata                YYYYMMDD                YYYYMMDD
Record creation date:   20130609
Update date:           20130909
Cryptoperiod start date: 20140101          New value: -----
Cryptoperiod end date:  20141231          New value: -----
Date the record was last used: 00000000      New value: -----
Service called when last used:
Date the record was recalled: 00000000
Date the record was archived: 00000000
Archived flag:         False             New value: -----
Prohibit archive flag: True              New value: -----

Press ENTER to process
Press END to return to the previous panel

COMMAND ==>

```

Figure 330. The 'Prohibit archive flag' is enabled

### Recalling a record

When a record is recalled, the 'Archive flag' is set to false. The key in the record can now be used by ICSF services. There are two ways that you can recall a record:

- [“Using the Token Management Token Details panel” on page 419.](#)
- [“Using the Token Management Record Metadata panel” on page 421.](#)

### Using the Token Management Token Details panel

1. On the Token Details panel, specify R in the 'A' column next to the label or labels you want to recall.

```

CSFTBR21 ----- ICSF Token Management - Token Details -----
Token name: SAMPLE.TOKEN
Manufacturer: z/OS PKCS11 API
Model: HCR7740
Serial Number: 0

Number of objects: 7

Action Characters:   A, D, M, P, R, S  See help panel for details
Status characters:  - Active   A Archived   I Inactive

Select objects to process then press ENTER

Press END to return to the previous menu.
A S
-----
_ - Object 00000001T DATA                PRIVATE: TRUE MODIFIABLE: TRUE
  LABEL:           Data for lastpass
  APPLICATION:     90893E31
  OBJECT ID:       Not-specified
  VALUE:           0123456789ABCDEF

R A Object 00000002T CERTIFICATE          PRIVATE: FALSE MODIFIABLE: TRUE
                                     DEFAULT: TRUE CATEGORY: Unspecified
  LABEL:           Certificate XGH52
  SUBJECT:         OU=PKCS11 Test End-Entity, O=IBM, C=US
  ID:              E7C7C8F5F260C6C360D5D9E36DF3
  ISSUER:          OU=PKCS11 Test CA, O=IBM, C=US
  SERIAL NUMBER:   01

COMMAND ==>

```

*Figure 331. Select the object to recall*

- When you press ENTER, the Record Recall Confirmation panel is displayed for every record that is selected to be recalled. If you want to recall this record, press ENTER. If you do not want to recall this record, press END. If you select the option 'Set record recall confirmation off', all remaining records are confirmed and recalled.

```

CSFBRA00 ----- ICSF - Record Recall Confirmation -----
COMMAND ==>

Record label to be recalled:
SAMPLE.TOKEN                                00000002T

Enter "/" to select option
_ Set record recall confirmation off

Press ENTER to confirm recall.
Press END to return to the previous panel.

```

*Figure 332. Record Recall Confirmation panel*

- Each record that you confirmed is recalled. The status depends on the cryptoperiod, if enabled.

```

CSFTBR21 ----- ICSF Token Management - Token Details -----
Token name: SAMPLE.TOKEN
Manufacturer: z/OS PKCS11 API
Model: HCR7740
Serial Number: 0

Number of objects: 7

Action Characters:   A, D, M, P, R, S  See help panel for details
Status characters:  - Active   A Archived   I Inactive

Select objects to process then press ENTER

Press END to return to the previous menu.
A S
-----
_ - Object 00000001T DATA                PRIVATE: TRUE MODIFIABLE: TRUE
  LABEL:                Data for lastpass
  APPLICATION:          90893E31
  OBJECT ID:            Not-specified
  VALUE:                0123456789ABCDEF

_ - Object 00000002T CERTIFICATE          PRIVATE: FALSE MODIFIABLE: TRUE
                                         DEFAULT: TRUE CATEGORY: Unspecified
  LABEL:                Certificate XGH52
  SUBJECT:              OU=PKCS11 Test End-Entity, O=IBM, C=US
  ID:                   E7C7C8F5F260C6C360D5D9E36DF3
  ISSUER:               OU=PKCS11 Test CA, O=IBM, C=US
  SERIAL NUMBER:        01

COMMAND ==>>>

```

*Figure 333. Token details panel with recall records*

## Using the Token Management Record Metadata panel

1. On the Token Details panel, specify S in the 'A' column to select the objects you wish to recall. The Record Metadata panel appears.

```

CSFTBR21 ----- ICSF Token Management - Token Details -----
Token name: SAMPLE.TOKEN
Manufacturer: z/OS PKCS11 API
Model: HCR7740
Serial Number: 0

Number of objects: 7

Action Characters:  A, D, M, P, R, S  See help panel for details

Status characters: - Active  A Archived  I Inactive

Select objects to process then press ENTER

Press END to return to the previous menu.
A S
-----
- - Object 00000001T DATA                PRIVATE: TRUE MODIFIABLE: TRUE
  LABEL:                Data for lastpass
  APPLICATION:          90893E31
  OBJECT ID:            Not-specified
  VALUE:                0123456789ABCDEF

S A Object 00000002T CERTIFICATE          PRIVATE: FALSE MODIFIABLE: TRUE
                                     DEFAULT: TRUE CATEGORY: Unspecified
  LABEL:                Certificate XGH52
  SUBJECT:              OU=PKCS11 Test End-Entity, O=IBM, C=US
  ID:                   E7C7C8F5F260C6C360D5D9E36DF3
  ISSUER:               OU=PKCS11 Test CA, O=IBM, C=US
  SERIAL NUMBER:       01

COMMAND ==>

```

*Figure 334. Token details panel with an object selected*

2. Change the Archived flag to False, enter 1 on the 'Select an action' line, and press ENTER.

```

CSFTBR22 ----- ICSF Token Management - Record Metadata -----
Object handle: SAMPLE.TOKEN                00000002T

Record status: Archived                    (Archived, Active, Preactive, Deactivated)

Select an action: 1
  1 Modify one or more fields with the new values specified
  2 Delete the record

Metadata                                YYYYMMDD                                YYYYMMDD
Record creation date:                   20130609
Update date:                             20130909
Cryptoperiod start date:                 20140101           New value: -----
Cryptoperiod end date:                   20141231           New value: -----
Date the record was last used:           00000000           New value: -----
Service called when last used:
Date the record was recalled:             00000000
Date the record was archived:             00000000
Archived flag:                           True               New value: FALSE
Prohibit archive flag:                   False              New value: -----

Press ENTER to process
Press END to return to the previous panel

COMMAND ==>

```

*Figure 335. Selecting to recall this object*

3. The Archived flag is false. The record status depends on the cryptoperiod, if enabled.



```

CSFTBR22 ----- ICSF Token Management - Record Metadata -----
Object handle: SAMPLE.TOKEN                                00000002T
Record status: Active          (Archived, Active, Preactive, Deactivated)
Select an action: 1
  1 Modify one or more fields with the new values specified
  2 Delete the record

Metadata                YYYYMMDD                YYYYMMDD
Record creation date:   20130609
Update date:           20130909
Cryptoperiod start date: 20140101          New value: -----
Cryptoperiod end date:  20141231          New value: -----
Date the record was last used: 00000000      New value: -----
Service called when last used:
Date the record was recalled: 00000000
Date the record was archived: 00000000
Archived flag:         False              New value: -----
Prohibit archive flag: False              New value: -----

Press ENTER to process
Press END to return to the previous panel

COMMAND ==>

```

*Figure 336. The object is recalled*

## Managing objects with the non-KDSR format TKDS

From the Token Details panel, you can select any number of objects to display the details.

```

CSFTBR20 ----- ICSF Token Management - Token Details -----

Token name: SAMPLE.TOKEN
Manufacturer: z/OS PKCS11 API
Model: HCR7740
Serial Number: 0
Number of objects: 7

Select objects to process then press ENTER

Press END to return to the previous menu.
-----
_ Object 00000001T DATA          PRIVATE: TRUE      MODIFIABLE: TRUE
  LABEL:      Data for lastpass
  APPLICATION: 90893E31
  OBJECT ID:   Not-specified
  VALUE:      0123456789ABCDEF

_ Object 00000002T CERTIFICATE    PRIVATE: FALSE     MODIFIABLE: TRUE
                                     DEFAULT: TRUE       CATEGORY: Unspecified
  LABEL:      Certificate XGH52
  SUBJECT:    OU=PKCS11 Test End-Entity, O=IBM, C=US
  ID:         E7C7C8F5F260C6C360D5D9E36DF3
  ISSUER:     OU=PKCS11 Test CA, O=IBM, C=US
  SERIAL NUMBER: 01

_ Object 00000003T ???          PRIVATE: ???       MODIFIABLE: ???
  NOT AUTHORIZED TO BROWSE

_ Object 00000004T SECRET KEY     PRIVATE: TRUE      MODIFIABLE: TRUE
                                     EXTRACTABLE: TRUE  SENSITIVE: FALSE
  LABEL:      bulk data key9EC3
  ID:         F6F4E7E9F4F5C6F3
  KEY TYPE:   DES2
  VALUE LEN:  16
  USAGE FLAGS: Enc(T),Sign(T),Wrap(F),Derive(F),Dec(T),Verify(T),Unwrap(F)

_ Object 00000005T PUBLIC KEY     PRIVATE: FALSE     MODIFIABLE: TRUE
  LABEL:      public key cx021A
  SUBJECT:    Not-specified
  ID:         83A7F0F2F1C1
  MODULUS:    86E1B7C7594E4B6B963C4A1D361A23839567A993D05FC0F2D6C0EB1E...
  MODULUS BITS: 1024
  USAGE FLAGS: Enc(F),Verify(T),VerifyR(F),Wrap(T),Derive(F)

_ Object 00000006T PRIVATE KEY    PRIVATE: TRUE      MODIFIABLE: TRUE
                                     EXTRACTABLE: TRUE  SENSITIVE: FALSE
  LABEL:      privatekey cx021A
  SUBJECT:    Not-specified
  ID:         83A7F0F2F1C1
  MODULUS:    86E1B7C7594E4B6B963C4A1D361A23839567A993D05FC0F2D6C0EB1E...
  USAGE FLAGS: Dec(F),Sign(T),SignR(F),Unwrap(T),Derive(F)

_ Object 00000007T: DOMAIN PARAMS PRIVATE: FALSE     MODIFIABLE: TRUE
  LABEL:      My DSA Domain Parameters
  KEY TYPE:    DSA
  PRIME BITS:  1024
  PRIME:       51c3d4df9048626B9AD71EF6F3234554df9048626B9AD71EF6F3...
  SUB PRIME:   df9048626B9AD71EF6F33081890df9048626B9AD
  BASE:        B9AD71EF6F3234554df9048626B9AD71EF0B9AD71EF6F3234554...

COMMAND ==>

```

Figure 337. Token details panel for non-KDSR format TKDS

For each object selected, an object details panel is displayed. All of the attributes of the object are displayed on the object details panels. Each class of object has a different set of attributes. The panels for the object details are in [“Object details panels”](#) on page 426.

On the object details panels, you can modify attributes or delete the object.

**Note:** Attributes can only be modified if the object attribute MODIFIABLE is true. Some panels provide an option to select DER fields for use with an external command.

```
----- ICSF Token Management - Object Details -----  
Object handle: SAMPLE.TOKEN                00000002T  
Select an Action: _  
  1 Process select DER fields(*) using external command.  
    Enter UNIX command pathname (formatter must accept input from STDIN):  
-----  
  2 Modify one or more fields with the new values specified  
  3 Delete the entire object  
-----  
                (attributes of the object)
```

Figure 338. Top of object details panel for a certificate object

### To modify the attributes of the object

1. Select a listed value (for example, TRUE for Boolean attributes) or type a new value in the field provided.
  - The ID input is a hex string with an even number of digits.
  - The LABEL input is an EBCDIC string.
  - To set an attribute value to a null string, specify two consecutive single quotes.
2. Select the option 'Modify one or more fields with the new values specified' and press ENTER.
3. The attributes are modified and the object details panel is updated with the new values.

### To delete the object

1. Select the option 'Delete the entire object' and press ENTER.
2. The Delete Confirmation panel appears. If you want to delete the token, specify Y in the answer field and press ENTER. If you do not want to delete the token, press END.

```
CSFTBR02 ----- ICSF - Delete Confirmation -----  
Are you sure you want to delete object SAMPLE.TOKEN        00000002T  
  
==> __ Enter Y to confirm
```

Figure 339. Delete Confirmation panel

3. When the deletion is successful, the PKCS11 Token Delete Successful panel is displayed.

```
CSFTBR03 ----- ICSF - PKCS11 Token Delete Successful -----  
  
Object name ==> SAMPLE.TOKEN                00000002T  
Object was deleted successfully  
  
Press END to return to the previous menu.  
COMMAND ==>
```

Figure 340. Token Delete Successful panel

## To display a DER encoded field

The UNIX command can receive input from either a file or STDIN. To receive input from a file, enter the command string placing a percent sign ('%') where the file name should be inserted. If no percent sign is present in the command string, the command receives input from STDIN.

Select the option 'Process select DER fields(\*) using external command', select an attribute in the left column, supply the UNIX command path name in the field below the option, and press ENTER.

## Object details panels

---

This topic contains the details panels for all objects.

### Data Object Details panel

If a data object is selected on the Token Details panel, the ICSF Token Management - Data Object Details menu is presented:

```
CSFTBR34 ----- ICSF Token Management - Data Object Details -----
Object handle: SAMPLE.TOKEN                                00000001T
Select an Action:
  1 Modify one or more fields with the new values specified
  2 Delete the entire object
-----
OBJECT CLASS:          DATA                                More:  +
PRIVATE:              TRUE
MODIFIABLE:          TRUE
LABEL:               Data for lastpass
APPLICATION:         New value: 90893E31
ID:                  New value: F6F4E7E9F4F5C6F3
OBJECT ID:           Not-specified
VALUE:              0123456789ABCDEF
Press ENTER to process.
Press END to exit to the previous menu.
COMMAND ==>
```

Figure 341. ICSF Token Management - Data Object Details panel

### Certificate Object Details panel

If a certificate object is selected on the Token Details panel, the ICSF Token Management - Certificate Object Details menu is presented:

```

CSFTBR30 ----- ICSF Token Management - Certificate Object Details -----
Object handle: SAMPLE.TOKEN                                00000002T

Select an Action:
 1 Process select DER fields(*) using external command.
   Enter UNIX command pathname (formatter must accept input from STDIN):
-----
 2 Modify one or more fields with the new values specified
 3 Delete the entire object
-----

More: +
OBJECT CLASS:                CERTIFICATE
PRIVATE:                     FALSE
MODIFIABLE:                  TRUE
LABEL:                       Certificate XGH52
New value:
CERTIFICATE TYPE:            X.509
TRUSTED:                     TRUE
SUBJECT*:                   OU=PKCS11 Test End-Entity, O=IBM, C=US

ID:                           E7C7C8F5F260C6C360D5D9E36DF3
New value:
ISSUER*:                     OU=PKCS11 Test CA, O=IBM, C=US

SERIAL NUMBER:               01
CERTIFICATE CATEGORY:       Unspecified
New value: Unspecified      User      Authority      Other
APPLICATION:                 90893E31-SDE455A
DEFAULT:                     TRUE
New value: FALSE

VALUE*:
3082026B308201D4A003020102020101 |0..k0.....|
300D06092A864886F70D010105050030 |0...*.H.....0|
34310B3009060355040613025553310C |41.0...U...US1.|
300A060355040A130349424D31173015 |0...U...IBM1.0.|
060355040B130E504B43533131205465 |..U...PKCS11 Te|
7374204341301E170D30363034313830 |st CA0...0604180|
34303030305A170D3037303431393033 |40000Z...07041903|
353935395A303C310B30090603550406 |5959Z0<1.0...U..|
13025553310C300A060355040A130349 |..US1.0...U...I|
424D311F301D060355040B1316504B43 |BM1.0...U...PKC|
533131205465737420456E642D456E74 |S11 Test End-Ent|
69747930819F300D06092A864886F70D |ity0..0...*.H...|
010101050003818D0030818902818100 |.....0.....|
AAA38A1F45C93C1772C5AC223A1DAE32 |...E.<.r..":..2|
F932C5347931CFF6696D9A4205A5957D |.2.4y1..im.B...}|
8CD83CEF719E82DDEF5E4C5FB53E89D |..<....-.....S..|
80927186B89A619756CF75500CCD5C47 |..q...a.V.uP...|G|
9F46E01C76EAD0061ABF8CB2357C9603 |.F.v.....5|..|
3CC1E7E464BF4289AE0AD51E9FA2E86C |<...d.B.....1|
C80504552C2E35C0F5BE4F13ACEC8253 |...U,.5...0....S|

Press ENTER to process.
Press END to exit to the previous menu.

COMMAND ==>

```

Figure 342. ICSF Token Management - Certificate Object Details panel

## Secret Key Object Details panel

If a secret key object is selected on the Token Details panel, the ICSF Token Management - Secret Key Object Details menu is presented:

```

----- ICSF Token Management - Secret Key Object Details -----
Object handle: SAMPLE.TOKEN                                00000003T
Select an Action:
  1 Modify one or more fields with the new values specified
  2 Delete the entire object
-----
More: +
OBJECT CLASS:          SECRET KEY
PRIVATE:              TRUE
MODIFIABLE:          TRUE
LABEL:               bulk data key9EC3
ID:                   F6F4E7E9F4F5C6F3
New value:
KEY TYPE:             DES2
START DATE:          Not-specified
New value:           YYYYMMDD
END DATE:            Not-specified
New value:           YYYYMMDD
DERIVE:              FALSE
LOCAL:              FALSE
KEY GEN MECHANISM:   UNAVAILABLE INFORMATION
ENCRYPT:             TRUE
New value:          FALSE
VERIFY:            TRUE
New value:          FALSE
WRAP:              FALSE
New value:          TRUE
DECRYPT:           TRUE
New value:          FALSE
SIGN:             TRUE
New value:          FALSE
UNWRAP:          FALSE
New value:          TRUE
EXTRACTABLE:      TRUE          (Cannot be changed from FALSE
New value:          FALSE          to TRUE)
SENSITIVE:        FALSE          (Cannot be changed from TRUE
New value:          TRUE           to FALSE)
ALWAYS SENSITIVE: FALSE
NEVER EXTRACTABLE: FALSE
VALUE:           NOT DISPLAYABLE
VALUE LEN:       16
FIPS140         FALSE
WRAP WITH TRUSTED: FALSE          (Cannot be changed from TRUE)
New value:      TRUE
IBM SECURE:     FALSE
CHECK VALUE:    A328E8 or No-value
                Remove CHECK VALUE (Select to remove CHECK VALUE)
IBM REGIONAL:   FALSE
APPLICATION:    90893E31
Press ENTER to process.
Press END to exit to the previous menu.
COMMAND ==>

```

Figure 343. ICSF Token Management - Secret Key Object Details panel

If IBM SECURE is TRUE, the panel will display these additional secure key attributes:

```

IBM ALWAYS SECURE:    TRUE
IBM ATTRBOUND:       FALSE
IBM CARD COMPLIANCE: FIPS2009
New Value: Set to current processor value ___
FIPS 2009 _ BSI2009 _ (Or select one or
FIPS 2011 _ BSI 2011_ more from list)

```

With regional cryptographic keys, if IBM SECURE is TRUE, the panel will display these additional secure key attributes:

IBM ALWAYS SECURE:	TRUE or FALSE
IBM ATTRBOUND:	FALSE
IBM CARD COMPLIANCE:	NOT APPLICABLE

## Public Key Object Details panel

If a public key object is selected on the Token Details panel, the ICSF Token Management - Public Key Object Details panel is presented:

```

----- ICSF Token Management - Public Key Object Details -----
Object handle: SAMPLE.TOKEN                                00000005T

Select an Action:
 1 Process select DER fields(*) using external command
   Enter UNIX command pathname (formatter must accept input from STDIN):
-----
 2 Modify one or more fields with the new values specified
 3 Delete the entire object
-----

OBJECT CLASS: PUBLIC KEY                                     More: +
PRIVATE: FALSE
MODIFIABLE: TRUE
LABEL: public key cx021A
New value:
TRUSTED: TRUE
SUBJECT*: Not-specified

ID: 83A7F0F2F1C1
New value:
KEY TYPE: RSA
START DATE: 20160101
New value: YYYYMMDD
END DATE: 20171231
New value: YYYYMMDD
DERIVE: FALSE
LOCAL: FALSE
KEY GEN MECHANISM: UNAVAILABLE INFORMATION
ENCRYPT: FALSE
New value: TRUE
VERIFY: TRUE
New value: FALSE
VERIFY RECOVER: FALSE
New value: TRUE
WRAP: TRUE
New value: FALSE
FIPS140 FALSE
IBM SECURE: FALSE
IBM REGIONAL: FALSE
APPLICATION: 90893E31
MODULUS BITS: 4096
PUBLIC EXPONENT: 010001
MODULUS:
F35F5EF1E1AC5D5289A7EB6340E41FDA18695CBBB2EB5E27BC3FA1C0FA0D215D
18F017AEA80631223A2F268304894246BE8F629BEF7DB621B1E1C5F90D00F1AC
662119D2179DC02F20966591E39079D7A621F522F29451F4663E664D830A2F61
5E51A722EE6124F102A8334B113426A86028F6DC1F0D4F05EBE4AE9F57BA6805
CE54B8C4C1866870110D3550689E435A6EDDA1FFA74D46C77C8850F7716EAF6E
69AD03FBFBCC5990EDDF8C1A34D607AC3B7728D7E6ABBDA566A626980E0D888
C83661867992AF0EE415CA3B392C40D5138A18E983784676736A67D82F69D12B
95778A0CF92F752338CB811E1C68FBC04E8D9471B487C14942945AD6B345B562
3EACCC1C25742C25924612B407869788F3236AF037B7D7EBBB03C0FB6529A376
CF8161AACAA0B9C3D285D772C71B78264B56DE152B8B70975CE8B57D3EB048FF
26629B0A1756A4004418B6AED201AC6831CB0F555B4C1CA4721F96272C741F73
C439C3312C180BA67F5EAF823673904C78A6440A29A900B7F1C301C9FE9E7EB0
A7B286943B62AF22995CA15A1AC4FE3AB28C3C53629C581A97773CDAA6A366AD
7EA29F4128D7EF45FC8D8C7A35FE51B87A3F14CCF0E5B3A7B7F80AB5A72EDAB0
10B582BB67A9048FFEE3631D50661E8FDC22E6754CAE46E06AC70F16667A7553
1C83C61047605D205C14E0032BC0C2E611B54AE1EF2DEFA67B4AEC8181910753
COMMAND ==>

```

Figure 344. ICSF Token Management - Public Key Object Details panel

If IBM SECURE is TRUE then the panel will display these additional secure key attributes:



```

IBM ATTRBOUND:          FALSE
IBM CARD COMPLIANCE:    FIPS2009
    New Value: Set to current processor value ___
                  FIPS 2009 _   BSI2009 _   (Or select one or
                  FIPS 2011 _   BSI 2011_   more from list)

```

With regional cryptographic keys, IBM SECURE is TRUE so the panel will display these additional secure key attributes:

```

IBM ALWAYS SECURE:      TRUE or FALSE
IBM ATTRBOUND:          FALSE
IBM CARD COMPLIANCE:    NOT APPLICABLE

```

The format of the ICSF Token Management - Public Key Object Details panel will differ slightly depending on the type of key (RSA, DSA, Diffie-Hellman, Elliptic Curve, or SM2) selected.

Table 65. Information displayed in Public Key Object Details panel for RSA, DSA, Diffie-Hellman, Elliptic Curve, and SM2 keys		
For this type of key:	Identified in the panel's KEY TYPE field as:	The panel will contain fields for:
<b>RSA</b>	RSA	<p>The RSA modulus size, the public key exponent, and the RSA modulus. For example:</p> <pre> MODULUS BITS:                4096 PUBLIC EXPONENT:     010001 MODULUS: F35F5EF1E1AC5D5289A7EB6340E41FDA18695CBBB2EB5E27BC3FA1C0FA0D215D 18F017AEA80631223A2F268304894246BE8F629BEF7DB621B1E1C5F90D00F1AC 662119D2179DC02F20966591E39079D7A621F522F29451F4663E664D830A2F61 5E51A722EE6124F102A8334B113426A86028F6DC1F0D4F05EBE4AE9F57BA6805 CE54B8C4C1866870110D3550689E435A6EDDA1FFA74D46C77C8850F7716EAF6E 69AD03FBFBCC5990EDDF8C1A34D607AC3B7728D7E6ABBD566A626980E0D888 C83661867992AF0EE415CA3B392C40D5138A18E983784676736A67D82F69D12B 95778A0CF92F752338CB811E1C68FBC04E8D9471B487C14942945AD6B345B562 3EACCC1C25742C25924612B407869788F3236AF037B7D7EBBB03C0FB6529A376 CF8161AACAA0B9C3D285D772C71B78264B56DE152B8B70975CE8B57D3EB048FF 26629B0A1756A4004418B6AED201AC6831CB0F555B4C1CA4721F96272C741F73 C439C3312C180BA67F5EAF823673904C78A6440A29A900B7F1C301C9FE9E7EB0 A7B286943B62AF22995CA15A1AC4FE3AB28C3C53629C581A97773CDA6A366AD 7EA29F4128D7EF45FC8D8C7A35FE51B87A3F14CCF0E5B3A7B7F80AB5A72EDAB0 10B582BB67A9048FFEE3631D50661E8FDC22E6754CAE46E06AC70F16667A7553 1C83C61047605D205C14E0032BC0C2E611B54AE1EF2DEFA67B4AEC8181910753 </pre>
<b>DSA</b>	DSA	<p>The DSA prime <math>p</math>, subprime <math>q</math>, base <math>g</math>, and public value. For example:</p> <pre> PRIME : 2A5C655610E93CF27FF5B65B7FF69DDE1A4780C6D71012304869CFDFC3285F5A ED4493E75E438DD4A107CAE127AB8FC6B842A20AB4877C34166CA9D1F510EB33 C8193EA4A391526169262C9F4369274C682339DFB17B599B587F7B99B1AB37C9 4490C4837B5656776E9FFDA073EAED869B19F7E197970DBE5665E8F87F964C57 SUBPRIME : DF9048626B9AD71EF6F33081890DF9048626B9AD BASE : F21C09419230CAD25CB4C865BAF7A3FE59AAEC7D97A12D8C787C29D699F6650A D7DF6D09412C3727F4DB1F269B8C62433CCBBD52E651E5444D0A00834F6B4CCE 1362CDD0387DC31501C9E4E5DBE9F42CFB8E00B77CA1211C4E612843DA035D4E1 1D4CD1CF81076A7BED411ECE6B9851936D08A5F651DC7F3414EEB73109DFE40 VALUE : 3992F874061239B0A0B2E52BDBC33237A1CEAB624B613AD91D23DCCFC58D575 1CB5FE0364D37BF74721AA5473DD1ECC2E65B821388E7103477C438B3486C548 0CCAD36D7882C9659CA32744E776DE894193953F6DF32C8AC3ACFC0A364A641A A19B74BDC43E6EC84D8CB409B46A82D666A7F963D31A2CC897B971D378959509 </pre>

Table 65. Information displayed in Public Key Object Details panel for RSA, DSA, Diffie-Hellman, Elliptic Curve, and SM2 keys (continued)

For this type of key:	Identified in the panel's KEY TYPE field as:	The panel will contain fields for:
Diffie-Hellman	DH	<p>The Diffie-Hellman prime <math>p</math>, base <math>g</math>, and public value. For example:</p> <pre> PRIME : F35F5EF1E1AC5D5289A7EB6340E41FDA18695CBBB2EB5E27BC3FA1C0FA0D215D 18F017AEA80631223A2F268304894246BE8F629BEF7DB621B1E1C5F90D00F1AC 662119D2179DC02F20966591E39079D7A621F522F29451F4663E664D830A2F61 5E51A722EE6124F102A8334B113426A86028F6DC1F0D4F05EBE4AE9F57BA6805 CE54B8C4C1866870110D3550689E435A6EDDA1FFA74D46C77C8850F7716EAF6E 69AD03FBFBCC5990EDDF8C1A34D607AC3B7728D7E6ABDA566A626980E0D888 C83661867992AF0EE415CA3B392C40D5138A18E983784676736A67D82F69D12B 95778A0CF92F752338CB81E1C68FBC04E8D9471B487C14942945AD6B345B562  BASE : 3EACCC1C25742C25924612B407869788F3236AF037B7D7EBB030FB6529A376 CF8161AACAA0B9C3D285D772C71B78264B56DE152B8B70975CE8B57D3EB048FF 26629B0A1756A4004418B6AED201AC6831CB0F555B4C1CA4721F96272C741F73 C439C3312C180BA67F5EAF823673904C78A6440A29A900B7F1C301C9FE9E7EB0 A7B286943B62AF22995CA15A1AC4FE3AB28C3C53629C581A97773CDA6A366AD 7EA29F4128D7EF45FC8D8C7A35FE51B87A3F14CCF0E5B3A7B7F80AB5A72EDAB0 10B582BB67A9048FFEE3631D50661E8FDC22E6754CAE46E06AC70F16667A7553 1C83C61047605D205C14E0032BC0C2E611B54AE1EF2DEFA67B4AEC8181910753  VALUE : 2A5C655610E93CF27FF5B65B7FF69DDE1A4780C6D71012304869CFDFC3285F5A ED4493E75E438DD4A107CAE127AB8FC6B842A20AB4877C34166CA9D1F510EB33 C8193EA4A391526169262C9F4369274C682339DFB17B599B587F7B99B1AB37C9 4490C4837B5656776E9FFDA073EAED869B19F7E197970DBE5665E8F87F964C57 F21C09419230CAD25CB4C865BAF7A3FE59AAEC7D97A12D8C787C29D699F6650A D7DF6D09412C3727F4DB1F269B8C62433CCBBD52E651E5444D0A00834F6B4CCE 1362CDDD387DC31501C9E4E5DBE9F42CFB8E0DB77CA121C4E612843DA035D4E1 1D4CD1CF81076A7BED411ECE6B9851936D08A5F651DC7FF3414EEB73109DFE40                     </pre>
Elliptic Curve	EC	<p>The elliptic curve parameters and the elliptic curve point. For example:</p> <pre> - EC PARAMS*:          Named Curve - secp521r1 - EC POINT*: 3992F874061239B0A0B2E52BDBC33237A1CEAB624B613AD91D23CDDCCFC58D575 1CB5FE0364D37BF74721AA5473DD1ECC2E65B82138BE7103477C438B3486C548 0CCAD36D7882C9659CA32744E776DE894193953F6DF32C8AC3ACFC0A364A641A A19B74BDC43E6EC84D8CB409B46A82D666A7F963D31A2CC897B971D378959509 308189028181008B53                     </pre>
SM2	SM2	<p>The elliptic curve parameters and the elliptic curve point. For example:</p> <pre> - EC PARAMS*:          Named Curve - GB-256 - EC POINT*: A29B10215E90DBC55B0FF96B38E2D31331085A5053F64CFF2E71F1F4D3F32505 DB5DE3D9EFF524F640895130BB1D5E833201BE05323784C5772733D1518173FF                     </pre>

## Private Key Object Details panel

If a private key object is selected on the Token Details panel, the ICSF Token Management - Private Key Object Details panel is presented:

```

----- ICSF Token Management - Private Key Object Details -----
Object handle: SAMPLE.TOKEN                                00000002T
Select an Action:
 1 Process select DER fields(*) using external command
   Enter UNIX command pathname (formatter must accept input from STDIN):
-----
 2 Modify one or more fields with the new values specified
 3 Delete the entire object
-----
More: +
OBJECT CLASS: PRIVATE KEY
PRIVATE: TRUE
MODIFIABLE: TRUE
LABEL: privatekey cx021A
SUBJECT*: New value: Not-specified
ID: 83A7F0F2F1C1
New value:
KEY TYPE: RSA
START DATE: 20160101
New value: YYYYYMDD
END DATE: 20170101
New value: YYYYYMDD
DERIVE: FALSE
LOCAL: FALSE
KEY GEN MECHANISM: UNAVAILABLE INFORMATION
DECRYPT: FALSE
SIGN: New value: TRUE
SIGN RECOVER: New value: FALSE
UNWRAP: New value: TRUE
EXTRACTABLE: New value: FALSE (Cannot be changed from FALSE
to TRUE)
SENSITIVE: New value: FALSE (Cannot be changed from TRUE
to FALSE)
New value: TRUE

```

Figure 345. ICSF Token Management - Private Key Object Details panel – Part 1

```

ALWAYS SENSITIVE:          FALSE
NEVER EXTRACTABLE:        FALSE
FIPS140:                   FALSE
WRAP WITH TRUSTED:        FALSE      (Cannot be changed from TRUE)
                             New value: TRUE
IBM SECURE:                FALSE
IBM REGIONAL:              FALSE
APPLICATION:               90893E31
PRIVATE EXPONENT:          Not displayable
PRIME 1:                   Not displayable
PRIME 2:                   Not displayable
EXPONENT 1:                Not displayable
EXPONENT 2:                Not displayable
COEFFICIENT:              Not displayable
PUBLIC EXPONENT:           010001
MODULUS:
F35F5EF1E1AC5D5289A7EB6340E41FDA18695CBBB2EB5E27BC3FA1C0FA0D215D
18F017AEA80631223A2F268304894246BE8F629BEF7DB621B1E1C5F90D00F1AC
662119D2179DC02F20966591E39079D7A621F522F29451F4663E664D830A2F61
5E51A722EE6124F102A8334B113426A86028F6DC1F0D4F05EBE4AE9F57BA6805
CE54B8C4C1866870110D3550689E435A6EDDA1FFA74D46C77C8850F7716EAF6E
69AD03FBFBCC5990EDDF8C1A34D607AC3B7728D7E6ABDDA566A626980E0D888
C83661867992AF0EE415CA3B392C40D5138A18E983784676736A67D82F69D12B
95778A0CF92F752338CB811E1C68FBC04E8D9471B487C14942945AD6B345B562
3EACCC1C25742C25924612B407869788F3236AF037B7D7EBB03C0FB6529A376
CF8161AACAA0B9C3D285D772C71B78264B56DE152B8B70975CE8B57D3EB048FF
26629B0A1756A4004418B6AED201AC6831CB0F555B4C1CA4721F96272C741F73
C439C3312C180BA67F5EAF823673904C78A6440A29A900B7F1C301C9FE9E7EB0
A7B286943B62AF22995CA15A1AC4FE3AB28C3C53629C581A97773CDAA6A366AD
7EA29F4128D7EF45FC8D8C7A35FE51B87A3F14CCF0E5B3A7B7F80AB5A72EDAB0
10B582BB67A9048FFEE3631D50661E8FDC22E6754CAE46E06AC70F16667A7553
1C83C61047605D205C14E0032BC0C2E611B54AE1EF2DEFA67B4AEC8181910753
Press ENTER to process.
Press END to exit to the previous menu.

COMMAND ==>>

```

Figure 346. ICSF Token Management - Private Key Object Details panel – Part 2

If IBM SECURE is TRUE then panel will display these additional secure key attributes:

```

IBM ALWAYS SECURE:        TRUE
IBM ATTRBOUND:           FALSE
IBM CARD COMPLIANCE:     FIPS2009
    New Value: Set to current processor value ___
                  FIPS 2009 _ BSI2009 _ (Or select one or
                  FIPS 2011 _ BSI 2011_ more from list)

```

With regional cryptographic keys, IBM SECURE is TRUE so the panel will display these additional secure key attributes:

```

IBM ALWAYS SECURE:        TRUE or FALSE
IBM ATTRBOUND:           FALSE
IBM CARD COMPLIANCE:     NOT APPLICABLE

```

The format of the ICSF Token Management - Private Key Object Details panel will differ slightly depending on the type of key (RSA, DSA, Diffie-Hellman, Elliptic Curve, or SM2) selected.

Table 66. Information displayed in Private Key Object Details panel for RSA, DSA, Diffie-Hellman, Elliptic Curve, and SM2 keys

For this type of key:	Identified in the panel's KEY TYPE field as:	The panel will contain fields for:
RSA	RSA	<p>Non-displayable private key information, the public key exponent, and the RSA modulus. For example:</p> <pre> PRIVATE EXPONENT:           Not displayable PRIME 1:                     Not displayable PRIME 2:                     Not displayable EXPONENT 1:                 Not displayable EXPONENT 2:                 Not displayable COEFFICIENT:                Not displayable PUBLIC EXPONENT: 010001 MODULUS: F35F5EF1E1AC5D5289A7EB6340E41FDA18695CBBB2EB5E27BC3FA1C0FA0D215D 18F017AEA80631223A2F268304894246BE8F629BEF7DB621B1E1C5F90D00F1AC 662119D2179DC02F20966591E39079D7A621F522F29451F4663E664D830A2F61 5E51A722EE6124F102A8334B113426A86028F6DC1F0D4F05EBE4AE9F57BA6805 CE54B8C4C1866870110D3550689E435A6EDDA1FFA74D46C77C8850F7716EAF6E 69AD03FBFBCC5990EDDF8C1A34D607AC3B7728D7E6ABBD566A626980E0D888 C83661867992AF0EE415CA3B392C40D5138A18E983784676736A67D82F69D12B 95778A0CF92F752338CB811E1C68FBC04E8D9471B487C14942945AD6B345B562 3EACCC1C25742C25924612B407869788F3236AF037B7D7EBBB030FB6529A376 CF8161AACAA0B9C3D285D772C71B78264B56DE152B8B70975CE8B57D3EB048FF 26629B0A1756A4004418B6AED201AC6831CB0F555B4C1CA4721F96272C741F73 C439C3312C180BA67F5EAF823673904C78A6440A29A900B7F1C301C9FE9E7EB0 A7B286943B62AF22995CA15A1AC4FE3AB28C3C53629C581A97773CDAA6A366AD 7EA29F4128D7EF45FC8D8C7A35FE51B87A3F14CCF0E5B3A7B7F80AB5A72EDAB0 10B582BB67A9048FFEE3631D50661E8FDC22E6754CAE46E06AC70F16667A7553 1C83C61047605D205C14E0032BC0C2E611B54AE1EF2DEFA67B4AEC8181910753 </pre>
DSA	DSA	<p>The private key value (not displayable), the DSA prime <math>p</math>, subprime <math>q</math>, and base <math>g</math>. For example:</p> <pre> VALUE:                       Not displayable PRIME: 2A5C655610E93CF27FF5B65B7FF69DDE1A4780C6D71012304869CFDFC3285F5A ED4493E75E438DD4A107CAE127AB8FC6B842A20AB4877C34166CA9D1F510EB33 C8193EA4A391526169262C9F4369274C682339DFB17B599B587F7B99B1AB37C9 4490C4837B5656776E9FFDA073EAED869B19F7E197970DBE5665E8F87F964C57 SUBPRIME: DF9048626B9AD71EF6F33081890DF9048626B9AD BASE: F21C09419230CAD25CB4C865BAF7A3FE59AAEC7D97A12D8C787C29D699F6650A D7DF6D09412C3727F4DB1F269B8C62433CCBBD52E651E5444D0A00834F6B4CCE 1362CDD387DC31501C9E4E5DBE9F42CFB8E0DB77CA121C4E612843DA035D4E1 1D4CD1CF81076A7BED411ECE6B9851936D08A5F651DC7FF3414EEB73109DFE40 </pre>
Diffie-Hellman	DH	<p>The private key value (not displayable), the size of the private key, and the Diffie-Hellman prime <math>p</math> and base <math>g</math>. For example:</p> <pre> VALUE:                       Not displayable VALUE BITS:                  160 PRIME: F35F5EF1E1AC5D5289A7EB6340E41FDA18695CBBB2EB5E27BC3FA1C0FA0D215D 18F017AEA80631223A2F268304894246BE8F629BEF7DB621B1E1C5F90D00F1AC 662119D2179DC02F20966591E39079D7A621F522F29451F4663E664D830A2F61 5E51A722EE6124F102A8334B113426A86028F6DC1F0D4F05EBE4AE9F57BA6805 CE54B8C4C1866870110D3550689E435A6EDDA1FFA74D46C77C8850F7716EAF6E 69AD03FBFBCC5990EDDF8C1A34D607AC3B7728D7E6ABBD566A626980E0D888 C83661867992AF0EE415CA3B392C40D5138A18E983784676736A67D82F69D12B 95778A0CF92F752338CB811E1C68FBC04E8D9471B487C14942945AD6B345B562 BASE: 3EACCC1C25742C25924612B407869788F3236AF037B7D7EBBB030FB6529A376 CF8161AACAA0B9C3D285D772C71B78264B56DE152B8B70975CE8B57D3EB048FF 26629B0A1756A4004418B6AED201AC6831CB0F555B4C1CA4721F96272C741F73 C439C3312C180BA67F5EAF823673904C78A6440A29A900B7F1C301C9FE9E7EB0 A7B286943B62AF22995CA15A1AC4FE3AB28C3C53629C581A97773CDAA6A366AD 7EA29F4128D7EF45FC8D8C7A35FE51B87A3F14CCF0E5B3A7B7F80AB5A72EDAB0 10B582BB67A9048FFEE3631D50661E8FDC22E6754CAE46E06AC70F16667A7553 1C83C61047605D205C14E0032BC0C2E611B54AE1EF2DEFA67B4AEC8181910753 </pre>

Table 66. Information displayed in Private Key Object Details panel for RSA, DSA, Diffie-Hellman, Elliptic Curve, and SM2 keys (continued)

For this type of key:	Identified in the panel's KEY TYPE field as:	The panel will contain fields for:
Elliptic Curve	EC	The elliptic curve point. For example: <div style="background-color: #f0f0f0; padding: 5px;">                     VALUE: Not displayable                      _ EC PARAMS*: Named Curve - secp521r1                 </div>
SM2	SM2	The elliptic curve parameters and the elliptic curve point. For example: <div style="background-color: #f0f0f0; padding: 5px;">                     VALUE: Not displayable                      _ EC PARAMS*: Named Curve - GB-256                 </div>

## Domain Parameters Object Details panel

If a domain parameter object is selected on the Token Details panel, the ICSF Token Management - Domain Parameters Object Details menu is presented:

```

CSFTBR41 ----- ICSF Token Management - Domain Parameters Object Details -----
Object handle: SAMPLE.TOKEN                                00000003T

Select an Action:
  1. Modify one or more highlighted fields with the new values specified
  2. Delete the entire object

-----

OBJECT CLASS:          DOMAIN PARAMETERS
PRIVATE:              TRUE
MODIFIABLE:           TRUE
LABEL:                My DSA Domain Parameters
New value:
KEY TYPE:             DSA
LOCAL:                FALSE
APPLICATION:          Some UNIX Application
PRIME BITS:           1024
PRIME:
  2A5C655610E93CF27FF5B65B7FF69DDE1A4780C6D71012304869CFDFC3285F5A
  ED4493E75E438DD4A107CAE127AB8FC6B842A20AB4877C34166CA9D1F510EB33
  C8193EA4A391526169262C9F4369274C682339DFB17B599B587F7B99B1AB37C9
  4490C4837B5656776E9FFDA073EAED869B19F7E197970DBE5665E8F87F964C57
SUBPRIME:
  DF9048626B9AD71EF6F33081890DF9048626B9AD
BASE:
  F21C09419230CAD25CB4C865BAF7A3FE59AAEC7D97A12D8C787C29D699F6650A
  D7DF6D09412C3727F4DB1F269B8C62433CCBBD52E651E5444D0A00834F6B4CCE
  1362CDD387DC31501C9E4E5DBE9F42CFB8E0DB77CA121C4E612843DA035D4E1
  1D4CD1CF81076A7BED411ECE6B9851936D08A5F651DC7FF3414EEB73109DFE40
    
```

Figure 347. ICSF Token Management - Domain Parameters Object Details panel

The format of the ICSF Token Management - Domain Parameters Object Details panel will differ slightly depending on the domain parameter (DSA or Diffie-Hellman) selected.

Table 67. Information displayed in Domain Parameters Object Details panel for DSA and Diffie-Hellman domain parameters

For this type of key:	Identified in the panel's KEY TYPE field as:	The panel will contain fields for:
DSA	DSA	<p>The DSA prime <math>p</math>, subprime <math>q</math>, and base <math>g</math>. For example:</p> <pre> KEY TYPE:          DSA LOCAL:            FALSE APPLICATION:      Some UNIX Application PRIME BITS:      1024 PRIME:   2A5C655610E93CF27FF5B65B7FF69DDE1A4780C6D71012304869CFDFC3285F5A   ED4493E75E438DD4A107CAE127AB8FC6B842A20AB4877C34166CA9D1F510EB33   C8193EA4A391526169262C9F4369274C682339DFB17B599B587F7B99B1AB37C9   4490C4837B5656776E9FFDA073EAE869B19F7E197970DBE5665E8F87F964C57 SUBPRIME:   DF9048626B9AD71EF6F33081890DF9048626B9AD BASE:   F21C09419230CAD25CB4C865BAF7A3FE59AAEC7D97A12D8C787C29D699F6650A   D7DF6D09412C3727F4DB1F269B8C62433CCBBD52E651E5444D0A00834F6B4CCE   1362CDDD387DC31501C9E4E5DBE9F42CFB8E0DB77CA121C4E612843DA035D4E1   1D4CD1CF81076A7BED411ECE6B9851936D08A5F651DC7FF3414EEB73109DFE40                     </pre>
Diffie-Hellman	DH	<p>The Diffie-Hellman prime <math>p</math> and base <math>g</math>. For example:</p> <pre> KEY TYPE:          DH LOCAL:            FALSE APPLICATION:      Some UNIX Application PRIME BITS:      2048 PRIME:   F35F5EF1E1AC5D5289A7EB6340E41FDA18695CBBB2EB5E27BC3FA1C0FA0D215D   18F017AEA80631223A2F268304894246BE8F629BEF7DB621B1E1C5F90D00F1AC   662119D2179DC02F20966591E39079D7A621F522F29451F4663E664D830A2F61   5E51A722EE6124F102A8334B113426A86028F6DC1F0D4F05EBE4AE9F57BA6805   CE54B8C4C1866870110D3550689E435A6EDDA1FFA74D46C77C8850F7716EAF6E   69AD03FBFBCC5990EDDF8C1A34D607AC3B7728D7E6ABBDA566A626980E0D888   C83661867992AF0EE415CA3B392C40D5138A18E983784676736A67D82F69D12B   95778A0CF92F752338CB811E1C68FBC04E8D9471B487C14942945AD6B345B562 BASE:   3EACCC1C25742C25924612B407869788F3236AF037B7D7EBBB03C0FB6529A376   CF8161AACAA0B9C3D285D772C71B78264B56DE15288B70975CE8B57D3EB048FF   26629B0A1756A4004418B6AED201AC6831CB0F555B4C1CA4721F96272C741F73   C439C3312C180BA67F5EAF823673904C78A6440A29A900B7F1C301C9FE9E7EB0   A7B286943B62AF22995CA15A1AC4FE3AB28C3C53629C581A97773CDA6A366AD   7EA29F4128D7EF45FC8D8C7A35FE51B87A3F14CCF0E5B3A7B7F80AB5A72EDAB0   10B582BB67A9048FFEE3631D50661E8FDC22E6754CAE46E06AC70F16667A7553   1C83C61047605D205C14E0032BC0C2E611B54AE1EF2DEFA67B4AEC8181910753                     </pre>





---

## Chapter 20. Using the ICSF Utility Program CSFEUTIL

This topic contains Programming Interface Information.

ICSF provides a utility program, CSFEUTIL, that performs certain functions that can also be performed using the administrator's panels.

The program that executes CSFEUTIL must be APF-authorized.

The utility can be used for installations with cryptographic coprocessors. You can run the utility program to perform these tasks:

- Reencipher a disk copy of a CKDS
- Change the master key (AES or DES)
- Refresh the in-storage CKDS

You invoke the program as a batch job or from another program. To invoke the program as a batch job, use JCL. You specify different parameters on the EXEC statement depending on the task you want the utility program to perform. If the CSFEUTIL invocation from the batch job fails, you will need to invoke CSFEUTIL from another program to obtain the reason code from General Purpose Register 0 along with the return code in General Purpose Register 15. To invoke the program from another program, use standard MVS linkages like LINK, ATTACH, LOAD, and CALL.

**Note:** Ensure that the MEMLIMIT is large enough to load the CKDS into memory. The CKDS load operation alone requires #records \* Max LRECL bytes of 64-bit virtual storage. The MEMLIMIT must be large enough to accommodate this in addition to any other memory required by the program.

**Note:** [“CSFWEUTL ” on page 444](#) provides sample code.

For information about using the utility program to reencipher a disk copy of a CKDS and change the master key, see [“Symmetric Master Keys and the CKDS” on page 439](#). For information about using the program to refresh the in-storage CKDS, see [“Refreshing the in-storage CKDS using a utility program” on page 441](#).

---

### Symmetric Master Keys and the CKDS

This topic describes how to use the utility program to reencipher a disk copy of a CKDS and to change a master key.

**Note:**

- Prior to performing any function that affects the current CKDS, such as reenciphering, refreshing, or changing the master key, consider temporarily disallowing dynamic CKDS update services. For more information, refer to [“Steps for disallowing dynamic CKDS updates during CKDS administration updates” on page 169](#). If a CKDS reencipher is to be performed on a CKDS which is shared by members of a sysplex, dynamic CKDS updates should be disabled on all sysplex systems until the master key has been changed and the newly reenciphered CKDS is active on all systems sharing the CKDS
  - If the CKDS contains HMAC keys, it must be reenciphered on a system with a CEX3C and the Sept. 2010 or later licensed internal code.
1. When you change a master key, you must first reencipher any disk copies of the CKDSs under the new master key in the new master key register.

You can reencipher a CKDS either using the panels or the utility program.

**Note:**

- In compatibility or co-existence mode, you can use the utility program to reencipher a CKDS but not to change the master key. To change the master key using the utility program, you must be in noncompatibility mode.
- When invoking the master key reencipher you need access to the CSFMVR profile in the CSFSERV class.

2. Invoke the program as a batch job or from another program.

You pass the same parameters whether you call the program as a batch job or from another program.

3. Pass the names of the CKDSs upon which to perform the task and the name of the task to perform.

When you invoke the utility program from another program, General Register 1 must contain a pointer to the address of a data area whose structure is as follows:

```
Bytes 0-1: Length of the parameter string in binary
Bytes 2-n: The parameter string
```

The parameter string is the same as that which you would specify using the PARM keyword on the EXEC JCL statement if you invoked the program as a batch job.

4. To reencipher a disk copy of a CKDS, pass these parameters in this order:

- a. The name of the disk copy of the CKDS to reencipher.
- b. The name of an empty disk copy of the CKDS to contain the reenciphered keys.
- c. The name for the task: REENC.

**Note:** The input CKDS and the output CKDS must have the same VSAM attributes.

5. To reencipher the CKDS using JCL, use JCL like this example:

```
//STEP EXEC PGM=CSFEUTIL,PARM='OLD.CKDS,NEW.CKDS,REENC'
```

The first parameter passed, OLD.CKDS, is the name of the disk copy to reencipher. The second parameter, NEW.CKDS, is the name of an empty disk copy of the CKDS where you want ICSF to place the reenciphered keys.

6. When you reencipher all the disk copies of the CKDSs under the new master key, make the new master key active by changing the master key.

The utility program activates the new master key and reads a disk copy of a CKDS reenciphered under the new master key into storage.

7. To change a master key, pass these parameters in this order:

- a. The name of the disk copy of the CKDS to read into storage.
- b. The name for the task: CHANGE.

8. To change the master key using JCL, use JCL like this example:

```
//STEP EXEC PGM=CSFEUTIL,PARM='NEW.CKDS,CHANGE'
```

The utility program reads the new master key into the master key register to make that master key active. The program also reads into storage a disk copy of the CKDS that you specify. This CKDS should be reenciphered under the new master key that you are making the current master key. The first parameter passed, NEW.CKDS, is the name of the disk copy of the CKDS that you want ICSF to read into storage.

When you invoke the program as a batch job, you receive the return code in a message when the job completes. You do not receive a reason code with the return code. When the program is invoked from another program, the invoking program receives the reason code in General Register 0 along with the return code in General Register 15. The return codes and reason codes are explained in [“Return and reason codes for the CSFEUTIL program” on page 441.](#)

## Refreshing the in-storage CKDS using a utility program

---

This topic describes how to use the CSFEUTIL program to refresh an in-storage CKDS.

1. Invoke the program from a batch job or from another program.
2. You pass the same parameters whether you call the program as a batch job or from another program.
3. Pass the names of the CKDSs to perform the task and the name for the task. When you invoke the utility program from another program, General Register 1 must contain a pointer to the address of a data area whose structure is as follows:

```
Bytes 0-1: Length of the parameter string in binary
Bytes 2-n: The parameter string
```

The parameter string is the same as that which you would specify using the PARM keyword on the EXEC JCL statement if you invoked the program as a batch job.

4. To refresh an in-storage CKDS, pass these parameters in this order:

- The name of the disk copy of the CKDS that you want read into storage
- The name for the task: REFRESH

**Note:** Refresh with the current active CKDS file or unwanted results can occur. To find the current active CKDS file, see [“Displaying installation options” on page 256](#) or use the DISPLAY ICSF operator command:

```
D ICSF,KDS
```

5. To refresh the CKDS using JCL, use JCL like this example:

```
//STEP EXEC PGM=CSFEUTIL,PARM='NEW.CKDS,REFRESH'
```

The first parameter passed, NEW.CKDS, is the name of the disk copy of the CKDS that you want read into storage.

**Note:** If a CKDS refresh is to be performed on a CKDS which is shared by members of a sysplex, dynamic CKDS updates should be disabled on all sysplex systems until the master key has been changed and the newly reenciphered CKDS is active on all systems sharing the CKDS.

When you invoke the program as a batch job, you receive the return code in a message when the job completes. You do not receive a reason code with the return code. When the program is invoked from another program, the invoking program receives the reason code in General Register 0 along with the return code in General Register 15. The return codes and reason codes are explained in [“Return and reason codes for the CSFEUTIL program” on page 441](#).

## Return and reason codes for the CSFEUTIL program

---

When you invoke the CSFEUTIL program as a batch job, you receive the return code in a message when the job completes. The meanings of the return codes are:

### Return Code

Return Code	Meaning
0	Process successful.
4	Parameters are incorrect.
8	RACF authorization check failed.
12	Process unsuccessful.

**68 or 72**

CKDS processing has failed. An error was detected in the new KDS.

**84 or 116**

CKDS processing encountered an abnormal end while processing a CKDS. When the return code is 84 the error occurred while processing the new CKDS. When the return code is 116 the error occurred while processing the old CKDS. View the SYSTRACE at the time of the error for an indication of the abend that was encountered.

**100 or 104**

CKDS processing has failed. An error was detected in the old KDS.

**101 or 105**

CKDS processing has failed. An error occurred while processing a KDS record. For a 101 return code, consult the Return Code 8 reason codes in the *z/OS Cryptographic Services ICSF Application Programmer's Guide*. For a 105 return code, consult the Return Code 12 reason codes in the *z/OS Cryptographic Services ICSF Application Programmer's Guide*.

When the program is invoked from another program, the invoking program receives the reason code in General Register 0 along with the return code in General Register 15. The following list describes the meaning of the reason codes. If a particular reason code is not listed, refer to the listing of ICSF and TSS return and reason codes in the *z/OS Cryptographic Services ICSF Application Programmer's Guide*.

**Return code 0 has these reason codes:**

Reason Code	Meaning
-------------	---------

**36132**

CKDS reencipher/Change MK processed only tokens encrypted under the DES master key.

**36136**

CKDS reencipher/Change MK processed only tokens encrypted under the AES master key.

**36140**

CKDS reencipher/Change MK processed tokens encrypted under the DES and AES master key.

**Return code 8 has these reason codes:**

Reason Code	Meaning
-------------	---------

**3114**

Another refresh utility request is executing, and this utility request will not be allowed to run.

**16000**

Invoker has insufficient RACF access authority to perform function.

**Return code 12 has these reason codes:**

Reason Code	Meaning
-------------	---------

**36000**

Unable to change master key. Check hardware status.

**36020**

Input CKDS is empty or not initialized (authentication pattern in the control record is invalid).

**36060**

The new master key register or registers are not full.

**36068**

The input KDS is not enciphered under the current master key.

**36084**

The master key register cannot be changed since ICSF is running in compatibility mode.

**36104**

Option not available. There were no Cryptographic Coprocessors available to perform the service that was attempted.

**36160**

The attempt to reencipher the CKDS failed because there is an enhanced token in the CKDS.

**36168**

The LRECL attribute of the input CKDS does not match the LRECL of the output CKDS.

**36211**

A request was made to load a key data set (CKDS, PKDS or TKDS) which has records which are in KDSR format. This level of ICSF does not support KDSR format records

***Return code 72 or 104 has these reason codes:***

**Reason Code  
Meaning**

**6008**

A service routine has failed.

The service routines that may be called are:

**CSFMGN**

MAC generation

**CSFMVR**

MAC verification

**CSFMKVR**

Master key verification

**6012**

The Single-record, read-write installation exit (CSFSRRW) returned a return code greater than 4.

**6016**

An I/O error occurred reading or writing the CKDS.

**6020**

The CSFSRRW installation exit abended and the installation options EXIT keyword specifies that the invoking service should end.

**6024**

The CSFSRRW installation exit abended and the installation options EXIT keyword specifies that ICSF should end.

**6028**

The CKDS access routine could not establish the ESTAE environment.

**6040**

The CSFSRRW installation exit could not be loaded and is required.

**6044**

Information necessary to set up CSFSRRW installation exit processing could not be obtained.

**6048**

The system keys cannot be found while attempting to write a complete CKDS data set.

**6052**

For a write CKDS record request, the current master key verification pattern (MKVP) does not match the CKDS header record MKVP.

**6056**

The output CKDS is not empty.

**36001**

A variable-length record format CKDS cannot be used on a system with a Cryptographic Coprocessor Feature.

**36168**

The LRECL attribute of the input CKDS does not match the LRECL of the output CKDS.

**Note:** It is possible that you will receive MVS reason codes rather than ICSF reason codes, for example, if the reason code indicates a dynamic allocation failure. For an explanation of Dynamic Allocation reason codes, see *z/OS MVS Programming: Authorized Assembler Services Guide*.

## CSFWEUTL

CSFWEUTL invokes CSFEUTIL. CSFWEUTL is a sample program that contains sample JCL to assemble the sample program, sample link edit JCL to put the assembled sample program into an authorized library, and sample JCL that will invoke the sample program.

```
//<NAME> JOB <JOB CARD PARAMETERS>
//*****
//*
//* Licensed Materials - Property of IBM
//* 5650-ZOS
//* (C) Copyright IBM Corp. 2004, 2013
//*
//*
//* This file contains a sample program (CSFWEUTL), sample JCL
//* to assemble the sample program, sample link edit JCL to put
//* the assembled sample program into an authorized library, and
//* lastly sample JCL that will invoke the sample program.
//*
//* CSFWEUTL: Invokes CSFEUTIL
//*
//* DESCRIPTION:
//* CSFEUTIL is an ICSF utility program that can perform certain
//* functions that can be performed by using the administrator's
//* panels. The requested function is passed in the "PARM=..."
//* parameter. Refer to the ICSF Administrator's Guide for
//* more information on CSFEUTIL functions.
//*
//* However, when running the ICSF CSFEUTIL, sometimes error
//* conditions may occur. The type of error is qualified by the
//* contents of register 15 and register 0 upon program exit.
//* Unfortunately, only register 15 (return code) is externalized
//* when running these utilities from a batch JCL interface.
//*
//* CSFWEUTL will call CSFEUTIL and pass any specified function in
//* the "PARM=..." parameter to CSFEUTIL. On return from
//* CSFEUTIL, a WTO (write to operator) is issued containing
//* the return and reason codes.
//*
//* CAUTION:
//* This file contains four sample sections. Before using this
//* sample, you have to make the following changes.
//*
//* USER ACTIONS REQUIRED:
//* 1.Add the job parameters to meet your system requirements.
//*
//* 2.In the ASSEMBLE JCL, change the SYSLIB DSN to match your
//* installation specific data set names.
//*
//* 3.No changes are needed in the CSFWEUTL assembler code.
//* This CSFWEUTL assembler code needs to reside in the
//* SYSLIB DSN indicated in the ASSEMBLER JCL.
//*
//* 4.In the LKED JCL, for SYSLMOD DD statement, specify the
//* installation specific authorized library dataset name that
//* is to contain the CSFWEUTIL assembled code.
//*
//* 5.In the LKED JCL, for SYSLIB DD statement, specify your
//* installation specific ICSF library dataset name.
//* Change CSF to the appropriate high-level qualifier if you
//* choose to not use the default. If you use an edit or
//* CHANGE command, be sure to include the period at the end
//* of the high-level qualifier.
//*
//* 6.In the CSFWEUTL EXEC JCL, for the STEPLIB DSN, specify the
//* same dataset name as was indicated in the SYSLMOD DSN
//* statement in the LKED JCL.
//*
//* 7.In the CSFWEUTL EXEC JCL, for the PARM='....' specify the
//* requested function for CSFEUTIL.
//*
//* 8.Users may want to separate the CSFWEUTL EXEC JCL into a
//* separate JOB.
```

```

//*
//* NOTES:
//* 1.This job should be rerun with every new release of ICSF.
//*
/******
/* JCL to assemble CSFEUTL
/******
/* ASSEMBLER
//C EXEC PGM=ASMA90,REGION=4M
//SYSLIB DD DSN=SYS1.MACLIB,DISP=SHR
// DD DSN=SYS1.MODGEN,DISP=SHR
//SYSUT1 DD DSN=SYS1,SPACE=(4096,(120,120),,ROUND),UNIT=VIO,
// DCB=BUFNO=1
//SYSPRINT DD SYSOUT=*
//SYSLIN DD DSN=SYS1,DISP=(NEW,PASS),SPACE=(TRK,(2,2)),UNIT=SYSDA
//SYSIN DD *
*****
* CSFEUTL assembler code
*****

TITLE 'CSFEUTL - ICSF CSFEUTIL INVOKER'
PRINT GEN
*****
*
* FUNCTION : ICSF CSFEUTIL CALLER UTILITY
*
* DESCRIPTIVE NAME : ICSF CSFEUTIL CALL ROUTINE
*
* VERSION : RELEASE 1 LEVEL 000
*
* OBJECTIVE :
*
* CSFEUTIL UTILITY :
*
* THIS PROGRAM ACCEPTS AN INVOCATION PARM THEN CALLS CSFEUTIL
* PASSING THAT PARM. REGISTER 15 AND 0 ARE FORMATTED ON RETURN
* IF NOT ZERO. A WRITE TO OPERATOR IS THEN ISSUED.
*
*
* DEPENDENCIES :
*
* 1. UNDER OS/390 OPERATING SYSTEM
* 2. UNDER IBM S/390
* 3. LANGUAGE : IBM S/390 ASSEMBLER
* 4. ICSF UP AND ACTIVE
*
* ENTRY POINT : CSFEUTL
*
* INPUT ARGUMENTS : INVOCATION PARM PASSED TO CSFEUTIL
*
*
* OUTPUT ARGUMENTS :
*
* NONE
*
* FUNCTION INPUT ARGUMENTS :
*
* NONE
*
* FUNCTION OUTPUT (RETURNS) :
*
* RETCODE R15SAVE (FULLWORD)
*
* EXIT-NORMAL RETURN CODE : 0
*
* EXIT-ERROR RETURN CODE : VALID RANGE 1 - 255
*
* EXTERNAL-REFERENCES : NONE
*
* CHANGE ACTIVITY : NONE
*
*****
R0 EQU 0
R1 EQU 1 WORK REGISTER/CALL PARMS
R2 EQU 2 WORK REGISTER
R3 EQU 3 WORK REGISTER
R4 EQU 4 WORK REGISTER
R5 EQU 5 WORK REGISTER
R6 EQU 6 WORK REGISTER
R7 EQU 7 WORK REGISTER
R8 EQU 8 WORK REGISTER
R9 EQU 9 WORK REGISTER

```

```

R10 EQU 10 WORK REGISTER
R11 EQU 11 SECOND BASE REGISTER
R12 EQU 12 BASE REGISTER
R13 EQU 13 SAVE AREA CHAIN
R14 EQU 14 RETURN ADDRESS
R15 EQU 15 ENTRY POINT/RETURN CODE
EJECT
CSFWEUTL CSECT
        USING CSFWEUTL,R12,R11 SET UP BASE REGISTER
        LA R2,4095 SET INCREMENT 4K
        LA R2,1(R2)
        STM R14,R12,12(R13) SAVE REGISTERS
        LR R12,R15 SET UP ADDRESSABILITY
        LA R11,0(R2,R12) SET SECOND BASE REG
        LA R2,SAVEAREA
        ST R13,4(R2)
        LR R13,R2
        ST R1,R1SAVE
        L R4,0(R1) GET INVOCATION PARM ADDRESS
        LH R3,0(R4) LOAD PARM LENGTH
        LTR R3,R3 ANY PARMS?
        BZ NOPARM NO...BRANCH
        STH R3,PARMLEN SAVE PARM LENGTH
        BCTR R3,0 DECREMENT FOR EX
        LA R4,2(R4) POINT PAST LENGTH
        EX R3,PARMSAVE MOVE PARM TO INVOCATION FIELD
        B START BRANCH AROUND CONSTANTS
        DC C'** CSFWEUTL **' MODULE
        DC C'** &SYSDATE **' ASM DATE
        DC C'** &SYSTIME **' ASM TIME
        DC C'CSFWEUTL : ICSF CSFEUTIL INVOCATION'
        DC C' (C) COPYRIGHT IBM CORP. 2004 '
        DC C'LICENSED MATERIAL - PROGRAM PROPERTY OF IBM '
EJECT
START DS 0H
        OI LINKPARM,X'80' SET LAST PARM INDICATOR
        LA R1,LINKPARM LOAD PARM ADDRESS
        L R15,=V(CSFEUTIL) LOAD CSFEUTIL
        BALR R14,R15 INVOKE IT
        LTR R15,R15 ANY RETURN CODE?
        BZ RETURN NO, ALL DONE
        ST R0,R0SAVE SAVE R0
        ST R15,R15SAVE SAVE R15
        L R3,R15SAVE
        CVD R3,DBWD DISPLAY R15 IN DECIMAL
        UNPK UNPACK8(8),DBWD+4(4)
        OI UNPACK8+7,X'F0'
        MVC NOTZERO+23(8),UNPACK8
        L R3,R0SAVE
        CVD R3,DBWD DISPLAY R0 IN DECIMAL
        UNPK UNPACK8(8),DBWD+4(4)
        OI UNPACK8+7,X'F0'
        MVC NOTZERO+37(8),UNPACK8
NOTZERO WTO 'CSFWEUTL R15: XXXXXXXX R0: XXXXXXXX'
        B RETURN
NOPARM DS 0H
        WTO 'CSFWEUTL : NO PARAMETERS SPECIFIED'
        B RETURN
RETURN DS 0H
        L R15,R15SAVE GET CSFEUTIL RC
        L R13,4(R13)
        ST R15,16(13)
        LM R14,R12,12(R13)
        BR R14
        SPACE 3
PARMSAVE MVC SAVEPARM(0),0(R4)
        SPACE 3
SAVEAREA DS 18F
R0SAVE DS F
R1SAVE DS F
R15SAVE DS F
DBWD DS D
UNPACK8 DS D
        TITLE 'WORK AREAS'
        SPACE 3
        LTORG
        SPACE 3
LINKPARM DC A(PARMLEN)
        DS 0D
PARMLEN DC H'0'
SAVEPARM DC XL256'00'
        SPACE 3

```



```

      END    CSFWEUTL
//*****
//*        JCL to link edit CSFWEUTL          *
//*****
/*
//LKED     EXEC  PGM=HEWL,PARM='MAP,LET,LIST,AC(1)',COND=(8,LT,C)
//SYSLIN   DD    DSN=&&LIN,DISP=(OLD,PASS)
//         DD    DDNAME=SYSIN
//SYSLMOD  DD    DSN=USER.STEPLIB,DISP=OLD
//SYSPRINT DD    SYSOUT=*
//SYSLIB   DD    DSN=CSF.SCSFMODE,DISP=SHR
//*****
//SYSIN    DD    *
NAME CSFWEUTL(R)
//*****
//*        JCL to invoke CSFWEUTL          *
//*****
/*
//CSFWEUTL EXEC  PGM=CSFWEUTL,REGION=512K,
//         PARM='CSF.EXAMPLE.CKDS,REFRESH'
//STEPLIB  DD    DSN=USER.STEPLIB,DISP=SHR
//*

```



---

## Chapter 21. Using the ICSF Utility Program CSFPUTIL

This topic contains Programming Interface Information.

ICSF provides a utility program, CSFPUTIL, that performs certain functions that can also be performed using the administrator's panels.

You can run the utility program to perform these tasks:

- Reencipher a PKDS
- Refresh the in-storage copy of the PKDS

You invoke the program as a batch job or from another program. To invoke the program as a batch job, use JCL. You specify different parameters on the EXEC statement depending on the task you want the utility program to perform. To invoke the program from another program, use standard MVS linkages like LINK, ATTACH, LOAD, and CALL.

**Note:** Ensure that the MEMLIMIT is large enough to load the PKDS into memory. The PKDS load operation alone requires #records \* Max LRECL bytes of 64-bit virtual storage. The MEMLIMIT must be large enough to accommodate this in addition to any other memory required by the program.

For information about using the utility program to reencipher a disk copy of a PKDS, see [“Asymmetric master keys and the PKDS” on page 449](#). For information about using the program to refresh the in-storage copy of the PKDS, see [“Refreshing the in-storage copy of the PKDS” on page 450](#).

---

### Asymmetric master keys and the PKDS

You can reencipher a PKDS either using the panels or the utility program.

1. Invoke the program as a batch job or from another program.

You pass the same parameters whether you call the program as a batch job or from another program.

2. Pass the names of the PKDSs upon which to perform the task and the name of the task to perform.

When you invoke the utility program from another program, General Register 1 must contain a pointer to the address of a data area whose structure is as follows:

```
Bytes 0-1: Length of the parameter string in binary
Bytes 2-n: The parameter string
```

The parameter string is the same as that which you would specify using the PARM keyword on the EXEC JCL statement if you invoked the program as a batch job.

3. To reencipher a PKDS, pass these parameters in this order:
  - a. The name of the PKDS to reencipher.
  - b. The name of an empty PKDS to contain the reenciphered keys.
  - c. The name for the task: RECIPHER.
4. To reencipher the PKDS using JCL, use JCL like this example:

```
//STEP EXEC PGM=CSFPUTIL,PARM='OLD.PKDS,NEW.PKDS,RECIPHER'
```

The first parameter passed, OLD.PKDS, is the name of the PKDS to reencipher. The second parameter, NEW.PKDS, is the name of an empty PKDS where you want ICSF to place the reenciphered keys.

5. When you reencipher all the PKDSs under the new master key, refresh the PKDS.

When you invoke the program as a batch job, you receive the return code in a message when the job completes. You do not receive a reason code with the return code. The return codes are explained in [“Return and reason codes for the CSFPUTIL program” on page 450.](#)

## Refreshing the in-storage copy of the PKDS

---

This topic describes how to use the CSFPUTIL program to refresh the in-storage copy of the PKDS.

1. Invoke the program from a batch job or from another program.

You pass the same parameters whether you call the program as a batch job or from another program.

2. When you invoke the utility program from another program, General Register 1 must contain a pointer to the address of a data area whose structure is as follows:

```
Bytes 0-1: Length of the parameter string in binary
Bytes 2-n: The parameter string
```

The parameter string is the same as that which you would specify using the PARM keyword on the EXEC JCL statement if you invoked the program as a batch job.

3. To refresh in-storage copy of the PKDS, pass this parameter:

- The name for the task: REFRESH
- Optional: the name of the disk copy of the PKDS you want read into storage. If no data set is specified, the active PKDS will be used.

4. To refresh the PKDS using JCL, use JCL like this example:

```
//STEP EXEC PGM=CSFPUTIL,PARM='REFRESH,NEW.PKDS'
```

The second parameter, NEW.PKDS, is the name of the disk copy of the PKDS that you want read into storage.

5. To refresh the active PKDS using JCL, use JCL like this example:

```
//STEP EXEC PGM=CSFPUTIL,PARM='REFRESH'
```

When you invoke the program as a batch job, you receive the return code in a message when the job completes. You do not receive a reason code with the return code. The return codes are explained in [“Return and reason codes for the CSFPUTIL program” on page 450.](#)

## Return and reason codes for the CSFPUTIL program

---

When you invoke the CSFPUTIL program as a batch job, you receive the return code in a message when the job completes. The following list describes the meanings of the return codes. Additional return codes are described in [“Return and reason codes for the CSFEUTIL program” on page 441.](#)

### Return Code

#### Meaning

0

Process successful.

2

Partially successful. Job completed but some tokens have not been reenciphered.

4

Parameters are incorrect. A possible cause of the error is that the parameter 'ACTIVATE' was used. That parameter is no longer supported; use 'REFRESH'.

8

RACF authorization failed.

## 12, 72, or 104

PKDS processing has failed. A return code 72 indicates the error was detected with the new KDS. A return code 104 indicates the error was detected with the old KDS.

When the program is invoked from another program, the invoking program receives the reason code in General Register 0 along with the return code in General Register 15. The meaning of the reason codes are as follows:

### *Return code 0 has these reason codes:*

Reason Code	Meaning
-------------	---------

#### 36137

PKDS reencipher/Change MK processed only tokens encrypted under the RSA master key.

#### 36138

PKDS reencipher/Change MK processed only tokens encrypted under the ECC master key.

#### 36139

PKDS reencipher/Change MK processed tokens encrypted under the RSA and ECC master keys.

### *Return code 8 has this reason code:*

Reason Code	Meaning
-------------	---------

#### 3114

Another refresh utility request is executing, and this utility request will not be allowed to run.

#### 3080

Use of an unsupported token has been attempted. The usage of this type of token is not supported on the release of ICSF currently running.

### *Return code 12 has this reason code:*

Reason Code	Meaning
-------------	---------

#### 36108

PKA callable services are enabled, and the PKDS is the active PKDS as specified in the options data set.

#### 36116

PKDS specified for reencipher or activate has incorrect dataset attribute

An abend 18F Reason code x'300' occurs with a JCL error.

## CSFWPUTL

CSFWPUTL invokes CSFPUTIL. CSFWPUTL is a sample program that contains sample JCL to assemble the sample program, sample link edit JCL to put the assembled sample program into an authorized library, and sample JCL that will invoke the sample program.

```
//<NAME> JOB <JOB CARD PARAMETERS>
//*****
//*
//* Licensed Materials - Property of IBM *
//* 5650-ZOS *
//* (C) Copyright IBM Corp. 2004, 2013 *
//* *
//* *
//* This file contains a sample program (CSFWPUTL), sample JCL *
//* to assemble the sample program, sample link edit JCL to put *
//* the assembled sample program into an authorized library, and *
//* lastly sample JCL that will invoke the sample program. *
//* *
//* CSFWPUTL: Invokes CSFPUTIL *
//* *
//* DESCRIPTION: *
//* CSFPUTIL is an ICSF utility program that can perform certain *
//* functions that can be performed by using the administrator's *
```

```

/** panels. The requested function is passed in the "PARM=..." *
/** parameter. Refer to the ICSF Administrator's Guide for *
/** more information on CSFPUTIL functions. *
/** *
/** However, when running the ICSF CSFPUTIL, sometimes error *
/** conditions may occur. The type of error is qualified by the *
/** contents of register 15 and register 0 upon program exit. *
/** Unfortunately, only register 15 (return code) is externalized *
/** when running these utilities from a batch JCL interface. *
/** *
/** CSFWPUTL will call CSFPUTIL and pass any specified function in *
/** the "PARM=..." parameter to CSFPUTIL. On return from *
/** CSFPUTIL, a WTO (write to operator) is issued containing *
/** the return and reason codes. *
/** *
/** CAUTION: *
/** This file contains four sample sections. Before using this *
/** sample, you have to make the following changes. *
/** *
/** USER ACTIONS REQUIRED: *
/** 1.Add the job parameters to meet your system requirements. *
/** *
/** 2.In the ASSEMBLE JCL, change the SYSLIB DSN to match your *
/** installation specific data set names. *
/** *
/** 3.No changes are needed in the CSFWPUTL assembler code. *
/** This CSFWPUTL assembler code needs to reside in the *
/** SYSLIB DSN indicated in the ASSEMBLER JCL. *
/** *
/** 4.In the LKED JCL, for SYSLMOD DD statement, specify the *
/** installation specific authorized library dataset name that *
/** is to contain the CSFWPUTL assembled code. *
/** *
/** 5.In the LKED JCL, for SYSLIB DD statement, specify your *
/** installation specific ICSF library dataset name. *
/** Change CSF to the appropriate high-level qualifier if you *
/** choose to not use the default. If you use an edit or *
/** CHANGE command, be sure to include the period at the end *
/** of the high-level qualifier. *
/** *
/** 6.In the CSFWPUTL EXEC JCL, for the STEPLIB DSN, specify the *
/** same dataset name as was indicated in the SYSLMOD DSN *
/** statement in the LKED JCL. *
/** *
/** 7.In the CSFWPUTL EXEC JCL, for the PARM='....' specify the *
/** requested function for CSFPUTIL. *
/** *
/** 8.Users may want to separate the CSFWPUTL EXEC JCL into a *
/** separate JOB. *
/** *
/** NOTES: *
/** 1.This job should be rerun with every new release of ICSF. *
/** *
/** ***** *
/** JCL to assemble CSFWPUTL *
/** ***** *
/** ASSEMBLER *
/**C EXEC PGM=ASMA90,REGION=4M *
/**SYSLIB DD DSN=SYS1.MACLIB,DISP=SHR *
/** DD DSN=SYS1.MODGEN,DISP=SHR *
/**SYST1 DD DSN=&&SYSUT1,SPACE=(4096,(120,120),,ROUND),UNIT=VIO, *
/** DCB=BUFNO=1 *
/**SYSPRINT DD SYSOUT=* *
/**SYSLIN DD DSN=&&LIN,DISP=(NEW,PASS),SPACE=(TRK,(2,2)),UNIT=SYSDA *
/**SYSIN DD * *
/** ***** *
/** CSFWPUTL assembler code *
/** ***** *
/** *
/** TITLE 'CSFWPUTL - ICSF CSFPUTIL INVOKER' *
/** PRINT GEN *
/** ***** *
/** *
/** FUNCTION : ICSF CSFPUTIL CALLER UTILITY *
/** *
/** DESCRIPTIVE NAME : ICSF CSFPUTIL CALL ROUTINE *
/** *
/** VERSION : RELEASE 1 LEVEL 000 *
/** *
/** OBJECTIVE : *
/** *
/** CSFPUTIL UTILITY : *

```

```

*
* THIS PROGRAM ACCEPTS AN INVOCATION PARM THEN CALLS CSFPUTIL
* PASSING THAT PARM. REGISTER 15 AND 0 ARE FORMATTED ON RETURN
* IF NOT ZERO. A WRITE TO OPERATOR IS THEN ISSUED.
*
*
* DEPENDENCIES :
*
* 1. UNDER OS/390 OPERATING SYSTEM
* 2. UNDER IBM S/390
* 3. LANGUAGE : IBM S/390 ASSEMBLER
* 4. ICSF UP AND ACTIVE
*
* ENTRY POINT : CSFWPUTL
*
* INPUT ARGUMENTS : INVOCATION PARM PASSED TO CSFPUTIL
*
* OUTPUT ARGUMENTS :
*
* NONE
*
* FUNCTION INPUT ARGUMENTS :
*
* NONE
*
* FUNCTION OUTPUT (RETURNS) :
*
* RETCODE R15SAVE (FULLWORD)
*
* EXIT-NORMAL RETURN CODE : 0
*
* EXIT-ERROR RETURN CODE : VALID RANGE 1 - 255
*
* EXTERNAL-REFERENCES : NONE
*
* CHANGE ACTIVITY : NONE
*
*****
R0 EQU 0
R1 EQU 1 WORK REGISTER/CALL PARMS
R2 EQU 2 WORK REGISTER
R3 EQU 3 WORK REGISTER
R4 EQU 4 WORK REGISTER
R5 EQU 5 WORK REGISTER
R6 EQU 6 WORK REGISTER
R7 EQU 7 WORK REGISTER
R8 EQU 8 WORK REGISTER
R9 EQU 9 WORK REGISTER
R10 EQU 10 WORK REGISTER
R11 EQU 11 SECOND BASE REGISTER
R12 EQU 12 BASE REGISTER
R13 EQU 13 SAVE AREA CHAIN
R14 EQU 14 RETURN ADDRESS
R15 EQU 15 ENTRY POINT/RETURN CODE
EJECT
CSFWPUTL CSECT
USING CSFWPUTL,R12,R11 SET UP BASE REGISTER
LA R2,4095 SET INCREMENT 4K
LA R2,1(R2)
STM R14,R12,12(R13) SAVE REGISTERS
LR R12,R15 SET UP ADDRESSABILITY
LA R11,0(R2,R12) SET SECOND BASE REG
LA R2,SAVEAREA
ST R13,4(R2)
LR R13,R2
ST R1,R15SAVE
L R4,0(R1) GET INVOCATION PARM ADDRESS
LH R3,0(R4) LOAD PARM LENGTH
LTR R3,R3 ANY PARMS?
BZ NOPARM NO...BRANCH
STH R3,PARMLEN SAVE PARM LENGTH
BCTR R3,0 DECREMENT FOR EX
LA R4,2(R4) POINT PAST LENGTH
EX R3,PARMSAVE MOVE PARM TO INVOCATION FIELD
B START BRANCH AROUND CONSTANTS
DC C'** CSFWPUTL **' MODULE
DC C'** &SYSDATE **' ASM DATE
DC C'** &SYSTIME **' ASM TIME
DC C'CSFWPUTL : ICSF CSFPUTIL INVOCATION'
DC C' (C) COPYRIGHT IBM CORP. 2004 '
DC C'LICENSED MATERIAL - PROGRAM PROPERTY OF IBM '

```

```

EJECT
START DS 0H
      OI LINKPARM,X'80'          SET LAST PARM INDICATOR
      LA R1,LINKPARM           LOAD PARM ADDRESS
      L  R15,=V(CSFPUTIL)      LOAD CSFPUTIL
      BALR R14,R15             INVOKE IT
      LTR R15,R15              ANY RETURN CODE?
      BZ RETURN                NO, ALL DONE
      ST R0,R0SAVE             SAVE R0
      ST R15,R15SAVE           SAVE R15
      L  R3,R15SAVE
      CVD R3,DBWD              DISPLAY R15 IN DECIMAL
      UNPK UNPACK8(8),DBWD+4(4)
      OI UNPACK8+7,X'F0'
      MVC NOTZERO+23(8),UNPACK8
      L  R3,R0SAVE
      CVD R3,DBWD              DISPLAY R0 IN DECIMAL
      UNPK UNPACK8(8),DBWD+4(4)
      OI UNPACK8+7,X'F0'
      MVC NOTZERO+37(8),UNPACK8
NOTZERO WTO 'CSFWPUTL R15: XXXXXXXX R0: XXXXXXXX'
        B RETURN
NOPARM DS 0H
      WTO 'CSFWPUTL : NO PARAMETERS SPECIFIED'
        B RETURN
RETURN DS 0H
      L  R15,R15SAVE           GET CSFPUTIL RC
      L  R13,4(R13)
      ST R15,16(13)
      LM R14,R12,12(R13)
      BR R14
      SPACE 3
PARMSAVE MVC SAVEPARM(0),0(R4)
        SPACE 3
SAVEAREA DS 18F
R0SAVE DS F
R1SAVE DS F
R15SAVE DS F
DBWD DS D
UNPACK8 DS D
      TITLE 'WORK AREAS'
      SPACE 3
      LTORG
      SPACE 3
LINKPARM DC A(PARMLen)
        DS 0D
PARMLen DC H'0'
SAVEPARM DC XL256'00'
        SPACE 3
        END CSFWPUTL
//*****
//* JCL to link edit CSFWPUTL *
//*****
/*
//LKED EXEC PGM=HEWL,PARM='MAP,LET,LIST,AC(1)',COND=(8,LT,C)
//SYSLIN DD DSN=&&LIN,DISP=(OLD,PASS)
// DD DDNAME=SYSIN
//SYSLMOD DD DSN=USER.STEPLIB,DISP=OLD
//SYSPRINT DD SYSOUT=*
//SYSLIB DD DSN=CSF.SCSFMODE0,DISP=SHR
//*****
//SYSIN DD *
NAME CSFWPUTL(R)
//*****
//* JCL to invoke CSFWPUTL *
//*****
/*
//CSFWPUTL EXEC PGM=CSFWPUTL,REGION=512K,
// PARM='CSF.EXAMPLE.PKDS,REFRESH'
//STEPLIB DD DSN=USER.STEPLIB,DISP=SHR
//*

```



## Chapter 22. Using the ICSF Utility Program CSFDUTIL

ICSF provides a utility program, CSFDUTIL, that reads through a CKDS or PKDS and generates a report for duplicate key tokens.

### Using the Duplicate Token Utility

There is no panel interface to this utility. The key data set must be specified as either a CKDS or a PKDS.

1. Invoke the program as a batch job.

**Note:** Ensure that the MEMLIMIT is large enough to load the CKDS or PKDS into memory. The KDS load operation alone requires #records \* Max LRECL bytes of 64-bit virtual storage. The MEMLIMIT must be large enough to accommodate this in addition to any other memory required by the program.

2. You must have UPDATE authority to the profile in the DATASET class covering the KDS.

To generate a report for a CKDS with the fully qualified data set name of ICSF.HCR7751.CKDS, use this JCL example:

```
//DUTIL      EXEC PGM=CSFDUTIL
//SYSOUT    DD SYSOUT=*
//SYSIN     DD *
           CKDSN(ICSF.HCR7751.CKDS)
/*
//
```

The supported option is either:

CKDSN(fully-qualified-CKDS-name)

or

PKDSN(fully-qualified-PKDS-name)

When you invoke the program as a batch job, you receive the return and reason code in a message when the job completes. The return codes are explained in [“Return and reason codes for the CSFDUTIL program”](#) on page 456.

The data set name is assumed to be fully-qualified.

Note: Prior to analyzing the current CKDS or PKDS, consider temporarily disallowing dynamic CKDS and PKDS update services. If the analysis is to be performed on a CKDS or PKDS which is shared by members of a sysplex, dynamic updates of the CKDS and PKDS should be disabled on all sysplex systems until the analysis job is complete.

### CSFDUTIL output

The CKDS information that is written out has the format:

Table 68. CKDS information from CSFDUTIL	
Column	Value
1 - 64	Key label
67 - 74	Key type from the KDS record
77 - 84	Creation date. yyyyymmdd
87 - 94	Creation time. hhmmssst
97 - 104	Last update date. yyyyymmdd

<i>Table 68. CKDS information from CSFDUTIL (continued)</i>	
<b>Column</b>	<b>Value</b>
<b>107 - 114</b>	Last update time. hhmmssst

The PKDS information that is written out has the format:

<i>Table 69. PKDS information from CSFDUTIL</i>	
<b>Column</b>	<b>Value</b>
<b>1 - 64</b>	Key label
<b>67 - 74</b>	Creation date. yyyyymmdd
<b>77 - 84</b>	Creation time. hhmmssst
<b>87 - 94</b>	Last update date. yyyyymmdd
<b>97 - 104</b>	Last update time. hhmmssst

## Return and reason codes for the CSFDUTIL program

When you invoke the CSFDUTIL program as a batch job, you receive the return code in a message when the job completes. The meanings of the return codes are:

### **Return Code** **Meaning**

- 0**  
Processing completed successful.
- 4**  
Parameters are incorrect.
- 8**  
RACF authorization check failed.
- 12**  
Processing unsuccessful. Additional messages issued.
- 16**  
Processing unsuccessful. Additionally, there was an error issuing diagnostic messages.
- 20**  
An ABEND occurred.

When the program is invoked from another program, the invoking program receives the reason code in General Register 0 along with the return code in General Register 15. The meaning of the reason codes are as follows:

### **Return code 0 has this reason code:**

#### **Reason Code** **Meaning**

- 0**  
Processing completed successfully.

### **Return code 4 has this reason code:**

#### **Reason Code** **Meaning**

- 32**  
There was an error in the options provided. See the output for details.

### **Return code 8 has this reason code:**

**Reason Code****Meaning****1600**

Invoker has insufficient RACF access authority to use this service.

**Return code 12 has these reason codes:**

**Reason Code****Meaning****6016**

An IO error has occurred. See the output for details.

**6028**

There was an error establishing an ESTAE.

**6032**

There was a error allocating a data set or DD. See the output for details.

**6036**

There was an error deallocating a data set or DD. See the output for details.

**36211**

A request was made to load a key data set (CKDS, PKDS or TKDS) which has records which are in KDSR format. This level of ICSF does not support KDSR format records

Return code 16 has the same reason code as return code 12, but indicates that an error occurred in writing to the output in addition to the initial error.

**Return code 20 has this reason code:**

**Reason Code****Meaning****4**

An abnormal ending occurred. Contact your system programmer or the IBM Support Center.

## CSFWDUTL

---

CSFWDUTL is a batch job that invokes the duplicate utilities program (CSFDUTIL). It can be found in SYS1.SAMPLIB.

```
//<NAME> JOB <JOB CARD PARAMETERS>
//*****
//*
//* Licensed Materials - Property of IBM
//* 5650-ZOS
//* Copyright IBM Corp. 2008, 2013
//*
//*
//* This file contains sample JCL to invoke the Duplicate Token
//* Utility program (CSFDUTIL).
//*
//* CSFWDUTL: Invokes CSFDUTIL
//*
//* DESCRIPTION:
//* CSFDUTIL is an ICSF utility program that searches the CKDS or
//* PKDS for duplicate key tokens. This utility is not available
//* from the ICSF PANELS. Refer to the ICSF Administrator's
//* Guide for more information on CSFDUTIL functions.
//*
//* CSFWDUTL calls CSFDUTIL and passes the requested function into
//* the utility using the SYSIN dd statement.
//*
//* CAUTION:
//* Before using this sample, you have to make the following
//* changes.
//*
//* USER ACTIONS REQUIRED:
//* 1.Add the job parameters to meet your system requirements.
//* 2.If necessary change the parameter value to the key data set
//* you want to examine.
//*
```

```
//*****  
//*          JCL to invoke CSFDUTIL          *  
//*****  
//CSFDUTL EXEC PGM=CSFDUTL  
//SYSOUT DD SYSOUT=*  
//SYSIN DD *  
CKDSN(CSF.CSFCKDS)  
/*
```

# Chapter 23. Rewrapping DES key token values in the CKDS using the utility program CSFCNV2

ICSF provides a utility program, CSFCNV2, that will rewrap all encrypted DES tokens in the CKDS.

**Note:** You can also use the CSFCNV2 utility to convert a fixed-length record format CKDS to a variable-length record format. For more information on this capability of the CSFCNV2 utility, refer to [z/OS Cryptographic Services ICSF System Programmer's Guide](#).

As described in “[DES key wrapping](#)” on page 23, there are three methods for wrapping the key value in a DES key token. The original method encrypts DES tokens using triple DES encryption. The enhanced wrapping method is ANSI X9.24 compliant, bundles the keys with other token data and encrypts the keys and associated data using triple DES encryption.

The third method is similar to the enhanced method, but uses SHA-256 hashing instead of SHA-1 and was introduced in HCR77C1 by APAR OA55184. Triple-length DES keys are always wrapped with the SHA-256 enhanced wrapping method. When CKDS is processed to change the wrapping method, triple-length keys are not affected except triple-length DATA keys with a zero control vector.

Using the CSFCNV2 utility, you can rewrap all encrypted key tokens in the CKDS using the enhanced or the original method. The results will be written to a new CKDS.

There is no panel interface for this utility. It can be invoked as a batch job and requires a z196 or new server.

To rewrap encrypted key tokens in an existing CKDS and write the results to a new CKDS, use the following JCL code as an example:

```
//STEP EXEC PGM=CSFCNV2, PARM='WRAP-xxx, OLD.CKDS, NEW.CKDS'
```

Where:

## **WRAP-xxx**

Specifies the wrapping method to use.

### **WRAP-ECB**

The original wrapping method. If you specify this option, be aware that the access control point “CKDS Conversion2 utility - Convert from enhanced to original” must be enabled. This access control point is not enabled in the ICSF coprocessor role. It can only be enabled using TKE.

### **WRAP-ENH**

The SHA-1 based enhanced wrapping method.

### **ENH-ONLY**

The enhanced wrapping method will be used and the control vector in tokens will be updated to indicate that token cannot be rewrapped to the original method.

## **OLD.CKDS**

The name of the disk copy of the CKDS to process.

## **NEW.CKDS**

The name of an empty disk copy of the CKDS to contain the rewrapped keys.

The CSFV0560 message in the joblog will indicate the results of processing.

## **Return Code**

### **Meaning**

**0**

Process successful.

**4**

Minor error occurred.

**8**

RACF authorization check failed.

**12**

Process unsuccessful.

**60 or 92**

CKDS processing has failed. A return code 60 indicates the error was detected in the new KDS. A return code 92 indicates the error was detected with the old KDS.

When the program is invoked from another program, the invoking program receives the reason code in General Register 0 along with the return code in General Register 15. The following list describes the meaning of the reason codes. If a particular reason code is not listed, refer to the listing of ICSF and TSS return and reason codes in the *z/OS Cryptographic Services ICSF Application Programmer's Guide*.

**Return code 0 has this reason code:**

**Reason Code**

**Meaning**

**36132**

CKDS reencipher/Change MK processed only tokens encrypted under the DES master key.

**Return code 4 has these reason codes:**

**Reason Code**

**Meaning**

**0**

Parameters are incorrect.

**4004**

Rewrapping is not allowed for one or more keys.

**36112**

CKDS conversion completed successfully but some tokens could not be rewrapped because the control vector prohibited rewrapping from the enhanced wrapping method.

**36164**

Input CKDS is already in the variable-length record format. No conversion is necessary.

**Return code 8 has this reason code:**

**Reason Code**

**Meaning**

**16000**

Invoker has insufficient RACF access authority to perform function.

**Return code 12 has these reason codes:**

**Reason Code**

**Meaning**

**0**

ICSF has not been started

**11060**

The required cryptographic coprocessor was not active or the master key has not been set

**36020**

Input CKDS is empty or not initialized (authentication pattern in the control record is invalid).

**36068**

The input KDS is not enciphered under the current master key.

**36104**

Option not available. There were no Cryptographic Coprocessors available to perform the service that was attempted.

**36160**

The attempt to reencipher the CKDS failed because there is an enhanced token in the CKDS.

**36168**

A CKDS has an invalid LRECL value for the requested function. For wrapping, the input and output CKDS LRECLs must be the same.

**36172**

The level of hardware required to perform the operation is not available.

**Return code 60 or 92 has these reason codes:**

**Reason Code****Meaning****3078**

The CKDS was created with an unsupported LRECL.

**5896**

The CKDS does not exist.

**6008**

A service routine has failed.

The service routines that may be called are:

**CSFMGN**

MAC generation

**CSFMVR**

MAC verification

**CSFMKVR**

Master key verification

**6012**

The Single-record, read-write installation exit (CSFSRRW) returned a return code greater than 4.

**6016**

An I/O error occurred reading or writing the CKDS.

**6020**

The CSFSRRW installation exit abended and the installation options EXIT keyword specifies that the invoking service should end.

**6024**

The CSFSRRW installation exit abended and the installation options EXIT keyword specifies that ICSF should end.

**6028**

The CKDS access routine could not establish the ESTAE environment.

**6040**

The CSFSRRW installation exit could not be loaded and is required.

**6044**

Information necessary to set up CSFSRRW installation exit processing could not be obtained.

**6048**

The system keys cannot be found while attempting to write a complete CKDS data set.

**6052**

For a write CKDS record request, the current master key verification pattern (MKVP) does not match the CKDS header record MKVP.

**6056**

The output CKDS is not empty.

**Note:** It is possible that you will receive MVS reason codes rather than ICSF reason codes, for example, if the reason code indicates a dynamic allocation failure. For an explanation of Dynamic Allocation reason codes, see [z/OS MVS Programming: Authorized Assembler Services Guide](#)





---

## Chapter 24. Using ICSF health checks

The IBM Health Checker for z/OS is used to identify potential problems before they impact availability or cause outages. The Health Checker outputs messages to notify the user of the problems and suggests actions to be taken. The messages can be merely informational, or they can indicate a risk to the operation of the product.

ICSF provides a set of health checks to inform the user of potential ICSF problems. The checks include both migration checks and status checks. A migration check is designed to warn of changes in a current or pending ICSF release that could negatively impact usage. A status check provides information on the current state of ICSF.

The ICSF health checks are (see the ICSF health check's description for availability):

- ICSF\_COPROCESSOR\_STATE\_NEGCHANGE
- ICSF\_DEPRECATED\_SERV\_WARNINGS
- ICSF\_KEY\_EXPIRATION
- ICSF\_MASTER\_KEY\_CONSISTENCY
- ICSF\_OPTIONS\_CHECKS
- ICSF\_UNSUPPORTED\_CCA\_KEYS

The ICSF migration checks are (see the ICSF migration check's description for availability):

- ICSFMIG\_DEPRECATED\_SERV\_WARNINGS
- ICSFMIG\_MASTER\_KEY\_CONSISTENCY
- ICSFMIG7731\_ICSF\_RETAINED\_RSAKEY
- ICSFMIG77A1\_COPROCESSOR\_ACTIVE
- ICSFMIG77A1\_TKDS\_OBJECT
- ICSFMIG77A1\_UNSUPPORTED\_HW

RACF provides a set of health checks that examine the status of general resource classes and also the security characteristics of system-critical data sets. The ICSF-related RACF health checks are:

- RACF\_SENSITIVE\_RESOURCES, for the ICSF key data sets.
- RACF\_CSFSEV\_ACTIVE, for the CSFSEV resource class.
- RACF\_CSFKEYS\_ACTIVE, for the CSFSEV resource class.

See *IBM Health Checker for z/OS User's Guide* for more information.

---

### SAF Authorization for ICSF health checks

Some of the ICSF health checks use callable services to gather information for the check. If ICSF is running with CHECKAUTH(YES) specified in the options data set and the access to service through the CSFSEV SAF class is fully controlled, authority to specific services is required for some health checks.

The following health checks require the user ID for IBM Health Checker for z/OS to have READ access to the listed CSFSEV resources:

- ICSF\_KEY\_EXPIRATION
  - CSFKDSL
  - CSFKDMR
- ICSFMIG7731\_ICSF\_RETAINED\_RSAKEY
  - CSFRKL

- ICSF\_UNSUPPORTED\_CCA\_KEYS
  - CSFKDSL

## Accessing the ICSF health checks

Health checks can be accessed using the System Display and Search Facility (SDSF) option in ISPF. SDSF provides a CK option to access the Health Checker:

```
HQX7780 ----- SDSF PRIMARY OPTION MENU -----
.DA  Active users          .INIT Initiators
.I   Input queue          .PR  Printers
.O   Output queue         .PUN Punches
.H   Held output queue    .RDR Readers
.ST  Status of jobs       .LINE Lines
                                     .NODE Nodes
.LOG  System log          .SO  Spool offload
.SR  System requests     .SP  Spool volumes
.MAS  Members in the MAS .NS  Network servers
.JC   Job classes        .NC  Network connections
.SE   Scheduling environments
.RES  WLM resources      .RM  Resource monitor
.ENC  Enclaves          .CK  Health checker
.PS   Processes
                                     .ULOG User session log
.END  Exit SDSF
```

Selecting the Health Checker (CK) option displays the available checks. The checks are displayed alphabetically by name. The ICSF checks start with 'ICSF'.

```
SDSF HEALTH CHECKER DISPLAY SY1
PREFIX=* DEST=(ALL) OWNER=* SYSNAME=
NP .NAME .CheckOwner .State .Status
GRS_EXIT_PERFORMANCE IBMGRS ACTIVE(ENABLED) SUCCESSFUL
GRS_GRSQ_SETTING IBMGRS ACTIVE(DISABLED) ENV N/A
GRS_MODE IBMGRS ACTIVE(DISABLED) ENV N/A
GRS_RNL_IGNORED_CONV IBMGRS ACTIVE(DISABLED) ENV N/A
GRS_SYNCHRES IBMGRS ACTIVE(ENABLED) SUCCESSFUL
ICSF_COPROCESSOR_STATE_NEGCHANGE IBMICSF ACTIVE(ENABLED) SUCCESSFUL
ICSF_KEY_EXPIRATION IBMICSF ACTIVE(ENABLED) SUCCESSFUL
ICSF_MASTER_KEY_CONSISTENCY IBMICSF ACTIVE(ENABLED) SUCCESSFUL
ICSF_DEPRECATED_SERV_WARNINGS IBMICSF INACTIVE(ENABLED) INACTIVE
ICSMIG7731_ICSF_RETAINED_RSAKEY IBMICSF INACTIVE(ENABLED) INACTIVE
IEA_ASIDS IBMSUP ACTIVE(ENABLED) SUCCESSFUL
IEA_LXS IBMSUP ACTIVE(ENABLED) SUCCESSFUL
IOS_CAPTUCB_PROTECT IBMIOS ACTIVE(ENABLED) SUCCESSFUL
IOS_CMRTIME_MONITOR IBMIOS ACTIVE(ENABLED) SUCCESSFUL
IOS_MIDAW IBMIOS ACTIVE(ENABLED) SUCCESSFUL
IOS_STORAGE_IOSBLKS IBMIOS ACTIVE(ENABLED) SUCCESSFUL
```

The coprocessor state degradation check is enabled when ICSF is started and will monitor the coprocessor states on a daily basis until deactivated. The master key consistency check is enabled when ICSF is started and monitors the consistency of the states of each master key across the active and online coprocessors. The two migration checks are inactive when ICSF is started and must be activated to perform their checks.

## ICSF\_COPROCESSOR\_STATE\_NEGCHANGE

**Type:** Status

**Initial State:** Active

**Interval:** Daily

**z/OS and ICSF releases the check applies to:** ICSF FMID HCR7790 and later running on z/OS V1R12 and later.

This is a status check. The check detects a degradation in the state of any cryptographic coprocessor or accelerator on the system. The check is activated during the initialization of ICSF. The check is performed on a daily basis.

A state degradation is reported by AP number for the cryptographic coprocessor or accelerator. The states are described in the [“Displaying cryptographic coprocessor status”](#) on page 245. A state degradation has a possible negative impact on the operation of ICSF and the dependent cryptographic workload. The cause of the change should be understood.

The check output is obtained by selecting (s) on the Health Checker menu:

```
CHECK(IBMICSF,ICSF_COPROCESSOR_STATE_NEGCHANGE)
START TIME: 05/23/2011 14:33:49.364933
CHECK DATE: 20110320 CHECK SEVERITY: MEDIUM

* Medium Severity Exception *

CSFH0010E Coprocessor or Accelerator with AP number 35
has changed from ACTIVE state to OFFLINE state.

Explanation: The Coprocessor or accelerator state has degraded since
the last check.

System Action: This has a possible negative impact on the operation
of ICSF and the dependent cryptographic workload.

Operator Response: Report this exception to the System Programmer.

System Programmer Response: Alert the installation security
Administrator to determine the impact of the change in coprocessor
state.

Problem Determination: Refer to the ICSF Coprocessor Management and
hardware status panels and the support element (SE) panel for
further information regarding the coprocessors.

Source: Integrated Cryptographic Service Facility (ICSF)

Reference Documentation: z/OS Cryptographic Services Integrated
Cryptographic Service Facility: Systems Programmers Guide.

Automation: n/a

Check Reason: Detects degradation in coprocessor state.

END TIME: 05/23/2011 14:37:36.608096 STATUS: EXCEPTION-MED
```

## ICSF\_DEPRECATED\_SERV\_WARNINGS

**Type:** Status

**Initial State:** Active

**Interval:** Daily

**z/OS and ICSF releases the check applies to:** ICSF FMID HCR77B0 and later running on z/OS V1R13 and later.

This is a deprecated services health check. The check detects the use of services that are no longer enhanced and are not recommended for continued use. The check is activated when the ICSF task is started and runs on a periodic (daily) basis.

The check output is obtained by selecting (s) the check on the Health Checker menu. If the check determines that deprecated services are being used then an exception is generated.

The check output is obtained by selecting (s) on the Health Checker menu:

```
CHECK(IBMICSF,ICSF_DEPRECATED_SERV_WARNINGS)
START TIME: 05/20/2014 08:33:39.248906
CHECK DATE: 20140520 CHECK SEVERITY: LOW

* Low Severity Exception *
```

CSFH0011I Cryptographic Service CSFEDC is currently used, but this service has been deprecated.

Explanation: The specified callable service is no longer being enhanced and is not recommended for continued use. This service may be removed in future releases, thus in the future, workloads using the service may fail.

System Action: There is no effect on this system.

Operator Response: Report this exception to the System Programmer.

System Programmer Response: Alert the installation security Administrator and application/middleware administrators for this system.

Problem Determination: Investigate applications using this service and determine appropriate actions to remove or replace the use of this service.

Source: Integrated Cryptographic Service Facility (ICSF)

Reference Documentation: z/OS Cryptographic Services Integrated Cryptographic Service Facility: Application Programmers Guide (ICSF FMID HCR77A1 and later).

Automation: n/a

Check Reason: Detects use of deprecated callable service.

END TIME: 05/20/2014 08:35:40.308973 STATUS: EXCEPTION-LOW

The deprecated services checked in this release are:

- CSFEDC
- CSFEMK
- CSFGKC
- CSFRTC

## ICSF\_KEY\_EXPIRATION

---

**Type:** Status

**Initial State:** Active

**Interval:** Daily

**z/OS and ICSF releases the check applies to:** ICSF FMID HCR77B0 and later running on z/OS V1R13 and later.

This is a status check. The check detects records in the active key data sets that have the key material validity end date metadata set and will expire within the specified interval. The active CKDS, PKDS, and TKDS are checked. The label of all records that will expire will be listed along with the expiration date.

**Note:** The key data sets must use the KDSR format (introduced in ICSF FMID HCR77A1) in order to have key material validity dates. For additional details, see [z/OS Cryptographic Services ICSF System Programmer's Guide](#).

The interval is set by the DAYS(*nnn*) parameter. The default interval is 60 days.

The check is activated during the initialization of ICSF. The check is performed on a daily basis.

When the ICSF\_KEY\_EXPIRATION health check is run, the following messages are generated:

- Message CSFH0030I is an informational message that displays the health check header.
- Message CSFH0032I indicates that there are no records that are about to expire.
- Message CSFH0031E indicates that there are records that are about to expire.

For example:

```
CHECK(ICSF, ICSF_KEY_EXPIRATION)
START TIME: 03/23/2015 08:10:01.603497
CHECK DATE: 20150101 CHECK SEVERITY: MEDIUM
```

\* Medium Severity Exception \*

```
CSFH0030I Cryptographic Keys Expiring in 60 Days
Active CKDS: CSF.CKDS
```

```
Records expiring on 20150401
CSF.SPECIAL.KEY.FOR.TESTING.ABCD0001      EXPORTER
CSF.SPECIAL.KEY.FOR.TESTING.ABCD0004      IMPORTER
```

```
Records expiring on 20150430
CSF.SPECIAL.KEY.FOR.TESTING.ABCD0002      MAC
```

```
Active PKDS: CSF.PKDS
Key data set not in KDSR format
```

```
CSFH0032E Check detected KDS record that will expire within the next 60 days.
```

Explanation: This check detected keys in the key data sets that will reach their expiration date within the specified interval. When the keys reach their expiration date, the keys can no longer be used the applications.

System action: There is no effect on the system.

Operator response: Contact the ICSF administrator.

System Programmer Response: Contact the ICSF administrator.

Problem Determination: n/a

Source: n/a

Reference Documentation: z/OS Cryptographic Services  
Integrated Cryptographic Service Facility: Administrator's  
Guide

Automation: n/a

Check Reason: Detects operational keys that will expire  
within the specified interval.

```
END TIME: 03/23/2015 08:10:01.643285 STATUS: SUCCESSFUL
```

```
Active TKDS: CSF.TKDS
```

```
Objects expiring on 20150401
CSF.SPECIAL.TOKEN.FOR.TEST.AD0 0000000AY
```

```
Objects expiring on 20150421
CSF.SPECIAL.TOKEN.FOR.TEST.AD0 0000001AY
```

```
Objects expiring on 20150521
CSF.SPECIAL.TOKEN.FOR.TEST.AD0 0000011AY
```

```
CSFH0033E Check detected KDS record that will expire within
the next 60 days.
```

Explanation: This check detected keys in the key data sets that will reach their expiration date within the specified interval. When the keys reach their expiration date, the keys can no longer be used the applications.

System action: There is no effect on the system.

Operator response: Contact the ICSF administrator.

System Programmer Response: Contact the ICSF administrator.

Problem Determination: n/a

Source: n/a

Reference Documentation: z/OS Cryptographic Services  
Integrated Cryptographic Service Facility:  
Administrator's Guide

Automation: n/a

Check Reason: Detects operational keys that will expire within the specified interval.

END TIME: 03/23/2015 08:10:01.643285 STATUS: SUCCESSFUL

## ICSF\_MASTER\_KEY\_CONSISTENCY

**Type:** Status

**Initial State:** Active

**Interval:** Daily

**z/OS and ICSF releases the check applies to:** ICSF FMID HCR77A0 and later running on z/OS V1R12 and later.

This is a master key health check. The check detects inconsistencies in the states of the coprocessor master keys. The check is activated when the ICSF task is started and runs on a periodic (daily) basis. The check determines when the state of a master key on at least one coprocessor is not in accord with the state on the other coprocessors.

The master key states for the coprocessors are displayed on the ICSF Coprocessor Management panel. The states can be available ("A"), correct ("C"), error ("E"), uninitialized ("U") or not supported (-). Available indicates that the master key loaded on the Coprocessor matches the master key used in the CKDS/PKDS/TKDS and is available for use. Correct indicates that the key matches the key used in the CKDS/PKDS/TKDS but is not available for use. Error indicates that the key does not match the key used in the CKDS/PKDS/TKDS. Uninitialized indicates that the key has not been set. Master keys are identified by Master Key Verification Pattern (MKVP).

The check is instituted to assist the user in maintaining master key functionality. The coprocessor activation algorithm maximizes the number of active cryptographic coprocessors. For non-CCF systems any valid master key is acceptable for coprocessor activation. To activate the maximum number of coprocessors the number of available master keys may be restricted.

The following table illustrates a configuration which would generate an inconsistency message by the check. In this scenario all 5 coprocessors are active. The AES, ECC and P11 master keys are available for use. The DES and RSA master keys are unavailable since they are not set on the relevant coprocessors. The DES master key is set on coprocessor G01 but not G00 and G02. The RSA master key is set on coprocessor G00 and G01 but not G02.

Cop \ MK	AES	DES	ECC	RSA	P11
G00	A	U	A	C	
G01	A	C	A	C	
G02	A	U	A	U	
SP04					A
SP05					A

The ICSF\_MASTER\_KEY\_CONSISTENCY health check detects the inconsistency in master key states and generates a health check exception messages indicating that the states of the DES and RSA master keys are not consistent across the coprocessors. If the DES and RSA master keys were set on all three coprocessors then both master keys would be available for use.

When the health check is run, one of the following messages is generated:

The CSFH0014I message is generated if there are no problems.

The CSFH0015E message is generated if there is a master key inconsistency.

The CSFH0016E unable to process request. For example, an inconsistency in the AES master key would generate the following exception:<sup>3</sup>

## ICSF\_OPTIONS\_CHECKS

---

**Type:** Status

**Initial State:** Active

**Interval:** One time

**z/OS and ICSF releases the check applies to:** ICSF FMID HCR7780, HCR7790, HCR77A0, HCR77A1, HCR77B0, and HCR77B1 running on z/OS V1R9, z/OS V1R10, z/OS V1R11, z/OS V1R12, z/OS V1R13, z/OS V2R1, or z/OS V2R2 with PTFs for APAR OA48452 applied, or ICSF FMID HCR77C0 and later running on z/OS V2R1 and later.

This check examines the value of some of the ICSF installation options that can affect the performance of your ICSF applications. The check reports whether the current setting matches the option setting supplied in the parameter or the default setting. Any option setting not specified in the parameter will be checked for the default described for that option.

**Parameters accepted:** The following parameters are supported to identify installation options to be checked:

### CHECKAUTH(YES | NO)

Specifies that the check compare the current value of the CHECKAUTH option specified in the ICSF installations options data set. The CHECKAUTH option controls the SAF checking of authorized callers.

Default: NO

### CKTAUTH(YES | NO)

Specifies that the check compare the current value of the CKTAUTH option specified in the ICSF installations options data set. The CKTAUTH option controls when CKDS record authentication codes are checked when a CKDS is loaded into the in-storage copy.

**Note:** The CKTAUTH option was deprecated in ICSF FMID HCR77A1 and specifying the option on an ICSF FMID HCR77A1 or newer release will have no effect on this check.

Default: NO

### KEYAUTH(YES | NO)

Specifies that the check compare the current value of the KEYAUTH option specified in the ICSF installations options data set. The KEYAUTH option controls whether in-storage CKDS records have their record authentication code checked when the record is read by an application.

---

3

```
CHECK(IBMICSF, ICSF_MASTER_KEY_CONSISTENCY)
START TIME: 09/23/2012 14:32:34.584930
CHECK DATE: 20120101 CHECK SEVERITY: MEDIUM
```

\* Medium Severity Exception \*

CSFH0015E The state of the AES master key is not consistent across all coprocessors.

Explanation: The current value for the specified master key is not consistent across the coprocessors. At least one coprocessor has the specified master key in a state that is not in agreement with the other coprocessors.

System action: Alert the ICSF Administrator to determine the impact of the current coprocessor states.

User response: Report this exception to the ICSF Administrator.

Administrator response: Refer to the ICSF Coprocessor Management and hardware status panels. The state of the specified master key should match for all Active or Online coprocessors. If problem is not resolved, contact the IBM Support Center.

**Note:** The KEYAUTH option was deprecated in ICSF FMID HCR77A1 and specifying the option on an ICSF FMID HCR77A1 or newer release will have no effect on this check.

Default: NO

The following is an example of PARM specification:

```
PARM( 'CHECKAUTH(NO) ,CKTAUTH(NO) ,KEYAUTH(NO) '
```

The check is activated during the initialization of ICSF. The check is performed once at ICSF initialization.

When the ICSF\_OPTIONS\_CHECKS health check is run, the following messages are generated:

- Message CSFH0036I is an informational message that indicates all options match the specified values.
- Message CSFH0037E indicates that there are options that do not match the specified values.

## ICSF\_PKCS\_PSS\_SUPPORT

**Type:** Status

**Initial State:** Active

**Interval:** One time

**z/OS and ICSF releases the check applies to:** ICSF FMID HCR77C0 and later running on z/OS V2R2 and later.

The ICSF\_PKCS\_PSS\_SUPPORT check detects whether the current hardware configuration supports PKCS-PSS algorithms. The ICSF administrator can use this check to determine if PKCS-PSS algorithms are available for operations, and if not, update their configuration with an active ECC master key or with a coprocessor of CCA 5.3 or above.

When the ICSF\_PKCS\_PSS\_SUPPORT health check is run, the following messages are generated:

- Message CSFH0045I is an informational message that displays the health check header.
- Message CSFH0046I indicates that PKCS-PSS algorithms may be exploited.
- Message CSFH0047E indicates that PKCS-PSS algorithms cannot be exploited due to the ECC master key.
- Message CSFH0048E indicates that PKCS-PSS algorithms cannot be exploited due to the CCA coprocessor.

For example:

```
CHECK(IBMICSF,ICSF_PKCS_PSS_SUPPORT)
SYSPLEX: LOCAL SYSTEM: SY1
START TIME: 03/14/2019 14:51:07.064125
CHECK DATE: 20190101 CHECK SEVERITY: LOW

CSFH0045I Check for PKCS-PSS availability.

CSFH0046I RSA keys can be used for PKCS-PSS algorithms.

END TIME: 03/14/2019 14:51:07.067503 STATUS: SUCCESSFUL
```

```
CHECK(IBMICSF,ICSF_PKCS_PSS_SUPPORT)
SYSPLEX: LOCAL SYSTEM: SY1
START TIME: 03/14/2019 14:46:56.414398
CHECK DATE: 20190101 CHECK SEVERITY: LOW
```

```
CSFH0045I Check for PKCS-PSS availability.
```

```
* Low Severity Exception *
```

```
CSFH0047E There is no active ECC master key. RSA keys cannot be used
for PKCS-PSS algorithms.
```

```
Explanation: This check found that PKCS-PSS algorithms cannot be
exploited. An active ECC master key and a coprocessor running
CCA-5.3 or above is required for such exploitation.
```



System Action: There is no effect on the system.

Operator Response: Contact your ICSF administrator.

System Programmer Response: n/a

Problem Determination: To determine the status of the ECC master key use the D ICSF,MKS operator command. For PKCS-PSS hardware requirements, refer to the Required Hardware table for Digital Signature Generate or Digital Signature Verify in the Cryptographic Services Integrated Cryptographic Service Facility Application Programmer's Guide.

Source: n/a

Reference Documentation:  
z/OS Cryptographic Services ICSF Administrator's Guide

Automation: n/a

Check Reason: Detect PKCS-PSS capability

\* Low Severity Exception \*

CSFH0048E There is no active coprocessor running CCA-5.3 or above. RSA keys cannot be used for PKCS-PSS algorithms.

Explanation: This check found that PKCS-PSS algorithms cannot be exploited. An active ECC master key and a coprocessor running CCA-5.3 or above is required for such exploitation.

System Action: There is no effect on the system.

Operator Response: Contact your ICSF administrator.

System Programmer Response: n/a

Problem Determination: To determine the CCA version of the cryptographic devices, use the D ICSF,CARDS operator command. For PKCS-PSS hardware requirements, refer to the Required Hardware table for Digital Signature Generate or Digital Signature Verify in the Cryptographic Services Integrated Cryptographic Service Facility Application Programmer's Guide.

Source: n/a

Reference Documentation:  
z/OS Cryptographic Services ICSF Administrator's Guide

Automation: n/a

Check Reason: Detect PKCS-PSS capability

END TIME: 03/14/2019 14:46:56.420202 STATUS: EXCEPTION-LOW

## ICSF\_UNSUPPORTED\_CCA\_KEYS

**Type:** Status

**Initial State:** Active

**Interval:** One time

**z/OS and ICSF releases the check applies to:** ICSF FMID HCR77C0 and later running on z/OS V2R1 and later.

The Cryptographic Coprocessor Feature (CCF) supported cryptographic algorithms that are now not supported on newer Crypto Express adapters. Keys for these unsupported algorithms and services may have been stored in the CKDS and PKDS. The ICSF\_UNSUPPORTED\_CCA\_KEYS health check lists the label of records in the active CKDS and PKDS with keys that are not supported by the current cryptographic adapters. The ICSF administrator can use the list to determine if the records should be deleted. The administrator can archive the records if the format of the CKDS and PKDS is the common record format (KDSR).

For the PKDS, all records with DSS public or private key tokens will be listed.

For the CKDS, all records with DES ANSI X9.17 keys and DES data-translation keys (key type DATAXLAT) will be listed.

The ICSF\_UNsupported\_CCA\_KEYS check lists the labels of all records regardless of the state of the record. This means that records that are **archived** or inactive will appear in the list.

The check is activated during the initialization of ICSF. The check is performed every time ICSF is started.

When the ICSF\_UNsupported\_CCA\_KEYS health check is run, the following messages are generated:

- Message CSFH0038I is an informational message that displays the health check header.
- Message CSFH0039I indicates that there are no records with unsupported keys.
- Message CSFH0040E indicates that there are records with unsupported keys.

For example:

```
CHECK(IBMICSF, ICSF_UNsupported_CCA_KEYS)
SYSPLEX: LOCAL SYSTEM: SY1
START TIME: 02/08/2016 09:13:24.949858
CHECK DATE: 20151001 CHECK SEVERITY: LOW

CSFH0038I Check for unsupported CCA cryptographic keys in CKDS and PKDS

Active CKDS: CSF.CKDS
-----
CSF.TEST.KEY.ABCD0001 DATAXLAT
CSF.TEST.KEY.ABCD0004 AKEK

Active PKDS: CSF.PKDS
-----
CSF.TEST.KEY.DSS.PVT.0001
CSF.TEST.KEY.DSS.PUB.0002
CSF.TEST.KEY.DSS.PUB.0005
CSF.TEST.KEY.DSS.PUB.0001

* Low Severity Exception *

CSFH0040E Unsupported CCA cryptographic keys in CKDS or PKDS were
found.

Explanation: This check detected keys in the active key data sets
that are not supported with the cryptographic features in use. The
label of the records are listed.

System Action: There is no effect on the system.

Operator Response: Contact the ICSF administrator.

System Programmer Response: Contact the ICSF administrator.

Problem Determination: If you are using the common record format
(KDSR) of the CKDS and PKDS, you may be able to determine if the
label is being used in an application.

If you have key reference tracking enabled, you can tell if the
label has been referenced by an application using the CSFMDR
callable service to read the last reference data metadata of the
record.

If you don't have key reference tracking enabled, you can either
enable key reference tracking or archive the record to see if the
label is being used by an application.

Source: n/a

Reference Documentation:
z/OS Cryptographic Services ICSF Administrators Guide
z/OS Cryptographic Services ICSF Application Programmers Guide

Automation: n/a

Check Reason: Detects CCA keys that are unsupported.

END TIME: 02/08/2016 09:13:24.954074 STATUS: EXCEPTION-LOW
```

## ICSFMIG\_DEPRECATED\_SERV\_WARNINGS

**Type:** Migration

**Initial State:** Inactive

**Interval:** Daily

**z/OS and ICSF releases the check applies to:** ICSF FMID HCR7790, HCR77A0, and HCR7A1 running on z/OS V1R11, z/OS V1R12, z/OS V1R13, and z/OS V2R1.

This is a migration check. If you are migrating to ICSF FMID HCR77A1 or a later release, you should run this check on your system before installing the new release of ICSF. The check detects the use of services which will not be supported in subsequent releases of ICSF. The check is not active when ICSF is started and must be activated to perform the check. Once activated the check will be performed on a daily basis.

The check output is obtained by selecting (s) the check on the Health Checker menu. If the check determines that deprecated services are being used then an exception is generated.

The check output is obtained by selecting (s) on the Health Checker menu:

```
CHECK(IBMICSF,ICSFMIG_DEPRECATED_SERV_WARNINGS)
START TIME: 05/20/2011 08:33:39.248906
CHECK DATE: 20110320 CHECK SEVERITY: LOW

* Low Severity Exception *

CSFH0011I Cryptographic Service CSFAKEX is currently used,
but support for this service is being removed in subsequent releases.

Explanation: The specified callable service is not being supported in
subsequent releases, thus in the future workloads using the service
may fail.

System Action: There is no effect on this system.

Operator Response: Report this exception to the System Programmer.

System Programmer Response: Alert the installation security
Administrator and application/middleware administrators for this
system.

Problem Determination: Investigate applications using this service
and determine appropriate actions to remove or replace the use of
this service.

Source: Integrated Cryptographic Service Facility (ICSF)

Reference Documentation: z/OS Cryptographic Services Integrated
Cryptographic Service Facility: Application Programmers Guide
(ICSF FMID HCR7790 and later).

Automation: n/a

Check Reason: Detects use of deprecated callable service.

END TIME: 05/20/2011 08:35:40.308973 STATUS: EXCEPTION-LOW
```

The deprecated services that are checked in this release are (These services are not supported on post zSeries 900 hardware):

- CSFAEGN
- CSFAKEX
- CSFAKIM
- CSFAKTR
- CSFATKN
- CSFCTT
- CSFCTT1
- CSFTCK

- CSFUDK
- CSFPKSC

## ICSFMIG\_MASTER\_KEY\_CONSISTENCY

**Type:** Migration

**Initial State:** Inactive

**Interval:** One Time

**z/OS and ICSF releases the check applies to:** ICSF FMID HCR7751, HCR7770, HCR7780, and HCR7790 running on z/OS V1R6, z/OS V1R7, z/OS V1R8, z/OS V1R9, z/OS V1R10, z/OS V1R11, z/OS V1R12, and z/OS V1R13 with PTFs for APAR OA39489 applied.

This is a migration check introduced in APAR OA39489. The check detects inconsistencies in the states of the cryptographic coprocessor master keys. The check is intended to warn the user of potential problems when migrating from pre-FMID HCR7780 releases of ICSF to the FMIDs HCR7780, HCR7790, or HCR77A0 releases of ICSF. The check is inactive when ICSF is started. When activated, it performs a one time check on the states of the coprocessor master keys. If a master key is not consistent across the available coprocessors, a problem condition is assumed and a health checker exception message is generated for the administrator's attention.

The following master key states are defined for use in describing this migration health check: available ('A'), correct ('C'), error ('E'), uninitialized ('U'), or not supported (-).

### Available

Indicates that the master key matches the key used in the CKDS/PKDS and is available for use.

### Correct

Indicates that the key matches the key used in the CKDS/PKDS, but is not available for use.

### Error

Indicates that the key does not match the key used in the CKDS/PKDS.

### Uninitialized

Indicates that the key has not been set.

Table 71 on page 474 and Table 72 on page 475 illustrate a problem scenario. The pre-FMID HCR7780 releases of ICSF require a DES master key. For these releases, the G01 coprocessor is active since it has the DES master key set, but the G00 and G02 coprocessors are not active because they do not have the DES master key set. Because all four master keys are valid for the G01 coprocessor, all four master keys are available.

Coprocessor \ Master Key	Coprocessor State	AES	DES	ECC	RSA
G00	Online	C	U	C	C
G01	Active	A	A	A	A
G02	Online	C	U	C	U

When a non-CCF system is migrated to the FMIDs HCR7780, HCR7790, or HCR77A0 releases of ICSF, the master states change. The migrated system will have all three coprocessors active; however, all master keys will not be available. The DES and RSA master keys will not be available. These keys are unavailable because they are not set on all active coprocessors.

Table 72. Coprocessor/Master Key configuration on a FMID HCR7780, HCR7790, or HCR77A0 release of ICSF

Coprocessor \ Master Key	Coprocessor State	AES	DES	ECC	RSA
G00	Active	A	U	A	C
G01	Active	A	C	A	C
G02	Active	A	U	A	U

The ICSFMIG\_MASTER\_KEY\_CONSISTENCY health check detects problem states and generates health check exception messages indicating a problem with the DES and RSA master keys because these keys are not consistent across the coprocessors.

When the health check is run, one of the following messages is generated:

- The CSFH0014I message is generated if there are no problems.
- The CSFH0015E message is generated if there is a potential master key problem.
- The CSFH0016E message is generated if the system is unable to process the requested check.

## ICSMIG7731\_ICSF\_RETAINED\_RSAKEY

**Type:** Migration

**Initial State:** Inactive

**Interval:** One Time

**z/OS and ICSF releases the check applies to:** ICSF FMID HCR7731 and later running on z/OS V1R9 and later.

This is a migration check. The check detects the presence of retained keys on the cryptographic coprocessors. Retained keys will not be supported in subsequent releases of ICSF. Existing retained keys will become unusable.

Retained keys are listed by coprocessor. The generated Health Checker report lists the coprocessor serial number and the retained key label. Existing retained keys must be replaced with RSA keys stored in the PKDS rather than retained on the coprocessor.

The check output is obtained by selecting (s) on the Health Checker menu:

```

CHECK(IBMICSF,ICSMIG7731_ICSF_RETAINED_RSAKEY)
START TIME: 05/20/2011 08:16:29.689677
CHECK DATE: 20071201 CHECK SEVERITY: LOW
Coprocessor
  Serial      Retained key label
-----
93X06020    HCR7750.RKEY.RSA.CRT.1024MOD
93X06020    HCR7750.RKEY.RSA.CRT.1024MOD.SIGONLY

* Low Severity Exception *

CSFH0003E Cryptographic coprocessors were examined and found to
possess retained RSA Keys.

Explanation: Coprocessors online to this system were found to possess
one or more retained RSA keys, implying retained RSA keys are
potentially being used on this system. ICSF is deprecating its
retained RSA key support.

System Action: There is no effect on the system.

Operator Response: Report this exception to the System Programmer.

System Programmer Response: Alert the installation security
Administrator and application and middleware administrators for this
system.
```

**Problem Determination:** Investigate the cryptographic services utilized by the workload executed on this system and determine which application and middleware products use retained RSA key services for key management use that would depend upon the key labels in the report. Develop an immediate strategy to remove any dependencies on creating new ICSF-supported retained RSA keys prior to migration to ICSF release level HCR7750, and an eventual strategy to remove any dependencies on ICSF-supported retained key interfaces.

**Source:** Integrated Cryptographic Service Facility (ICSF)

**Reference Documentation:** z/OS Cryptographic Services Integrated Cryptographic Service Facility: Systems Programmers Guide (HCR7750 and later).

**Automation:** n/a

**Check Reason:** Detects use of retained RSA private keys.

## ICSMIG77A1\_COPROCESSOR\_ACTIVE

**Type:** Migration

**Initial State:** Inactive

**Interval:** One Time

**z/OS and ICSF releases the check applies to:** ICSF FMID HCR7770, HCR7780, HCR7790, and HCR77A0 running on z/OS V1R9, z/OS V1R10, z/OS V1R11, z/OS V1R12, z/OS V1R13, or z/OS V2R1 with PTFs for APAR OA42011 applied.

This is a migration check. If you are migrating to ICSF FMID HCR77A1 or a later release, you should run this check on your system before installing the new release of ICSF.

The migration check detects CCA cryptographic coprocessors with master keys that do not match the CKDS and PKDS. A coprocessor that has master keys that do not match the CKDS and PKDS will not become active when ICSF FMID HCR77A1 or later is started. This will affect the availability of coprocessors for cryptographic work.

**Note:** Coprocessors that have been deactivated will not be checked.

The method to decide which coprocessors become active has changed for ICSF FMID HCR77A1 and later releases. The master key verification pattern (MKVP) of the current master key register will be compared against the MKVPs in the header record of the CKDS and PKDS. If the MKVP is in the header record, the current master key must match that MKVP in order for the coprocessor to become active. This applies to all master keys that the coprocessor supports. When there is a MKVP in a key store and the coprocessor does not support that master key, it is ignored. When a MKVP is not in a key store, the master key is ignored. Note that if there are no MKVPs in any key store, the coprocessor will be active. Note that an initialized CKDS that has no MKVPs in the header record cannot be used on a system that has online coprocessors.

The check output is obtained by selecting (s) on the Health Checker menu:

When the health check is run, the following messages are generated:

The CSFH0017I message is generated if there are no CCA coprocessors.

The CSFH0018I message indicates the active key stores used in the check.

The CSFH0019I message is generated if there are no problems.

The CSFH0020E message is generated for each of the coprocessors that will not become active.

The CSFH0021E message is generated if the request could not be processed.

For example, the coprocessor installed at index 01 does not have the correct AES master key, the health check will generate the following exception:

```
CHECK (IBMICSF, ICSFMIG77A1_COPROCESSOR_ACTIVE)
START TIME: 09/23/2013 14:32:34.584930
CHECK DATE: 20120101 CHECK SEVERITY: MEDIUM
```

```
* Medium Severity Exception *
```

CSFH0018I: Active key stores: CKDS CSF.CKDS and PKDS CSF.PKDS.

CSFH0019E Coprocessor 01 serial number ssssssss has mismatched AES master keys.

Explanation: The coprocessor installed with index nn will not become active when ICSF FMID HCR77A1 or later is installed. The current type master key(s) loaded on the coprocessor do not have the same value (as indicated by the master key verification pattern (MKVP)) as stored in the CKDS or PKDS.

System action: There is no effect on the system.

Operator response: Contact the ICSF administrator.

ICSF Administrator response: The administrator should load the correct master keys as indicated in the message using the ICSF master key entry panels or TKE. The master keys are set using the SETMK panel utility on the Master Key Management panel. Rerun this migration check after all master keys have been processed.

## ICSMIG77A1\_TKDS\_OBJECT

---

**Type:** Migration

**Initial State:** Inactive

**Interval:** One Time

**z/OS and ICSF releases the check applies to:** ICSF FMID HCR7770, HCR7780, HCR7790, and HCR77A0 running on z/OS V1R9, z/OS V1R10, z/OS V1R11, z/OS V1R12, z/OS V1R13, or z/OS V2R1 with PTFs for APAR OA42011 applied.

This is a migration check. If you are migrating to ICSF FMID HCR77A1 or a later release, you should run this check on your system before installing the new release of ICSF.

**Note:** If you do not have a Token Data Set (TKDS) with PKDS #11 objects in it, there is no need to run this check.

In the ICSF FMID HCR77A1 release, ICSF is introducing a common key data set record format for CCA key tokens and PKCS #11 tokens and objects. This new format of the record adds new fields for key utilization and metadata. Because of the size of the new fields, some existing PKCS #11 objects in the TKDS may cause ICSF to fail to start.

The problem exists for TKDS object records with large objects. The 'User data' field in the existing record cannot be stored in the new record format if the object size is greater than 32,520 bytes. The TKDSREC\_LEN field in the record has the size of the object. If the 'User data' field is not empty and the size of the object is greater than 32,520 bytes, the TKDS cannot be loaded.

This migration check will detect any TKDS object that is too large to allow the TKDS to be loaded when ICSF is started.

The problem can be corrected by:

- Modifying the attributes of the object to make it smaller, if possible.
- Removing the information in the 'User data' field of the object. The 'User data' field must be all zeros for it to be ignored.
- Copying the object using PKCS #11 services and deleting the old object.
- Deleting the object.

**Note:** ICSF does not provide any interface to modify the 'User data' field in the TKDS object record. The field can only be modified by editing the record.

The TKDS object record is documented in the ICSF System Programmer's Guide.

When the health check is run, the following messages are generated:

The CSFH0023I message indicates the active TKDS that was checked.

The CSFH0024I message is generated if there are no TKDS objects that failed the check.

The CSFH0025E message is generated if there are TKDS objects that failed the check.

For example:

```
CHECK(IBMICSF,ICSMIG77A1_TKDS_OBJECT)
START TIME: 04/18/2013 08:54:38.293403
CHECK DATE: 20130301 CHECK SEVERITY: MEDIUM

CSFH0023I Active Token Data Set: CSF.TKDS

The following TKDS objects will lose information:
SAMPLE.TOKEN          00000006T
SAMPLE.TOKEN          00000005T

* Medium Severity Exception *

CSFH0025E TKDS objects were found that have too much data.

Explanation: This message indicates which objects failed this check.
             The handle of each object is listed.

System action: There is no effect on the system.

Operator response: Contact the ICSF administrator.

System Programmer Response: Contact the ICSF administrator.

Problem Determination: n/a

Source: n/a

Reference Documentation: z/OS Cryptographic Services Integrated
                        Cryptographic Service Facility: Writing PKCS #11 Applications.

Automation: n/a

Check Reason: Detects objects in the TKDS that will prevent
ICSF from loading the TKDS during initialization.
```

## ICSMIG77A1\_UNSUPPORTED\_HW

**Type:** Migration

**Initial State:** Inactive

**Interval:** One Time

**z/OS and ICSF releases the check applies to:** ICSF FMID HCR7770, HCR7780, HCR7790, and HCR77A0 running on z/OS V1R9, z/OS V1R10, z/OS V1R11, z/OS V1R12, z/OS V1R13, or z/OS V2R1 with PTFs for APAR OA42011 applied.

This is a migration check. If you are migrating to ICSF FMID HCR77A1 or a later release, you should run this check on your system before installing the new release of ICSF.

The ICSF FMID HCR77A1 release does not support IBM Eserver zSeries 800 and 900 systems. This migration check will indicate if your system is supported or not by ICSF FMID HCR77A1 and later releases.

When the health check is run, the following messages are generated:

The CSFH0022I message is generated if your system is not supported.

For example, the system zSeries 800 and 900:

```
CHECK(IBMICSF,ICSMIG77A1_UNSUPPORTED_HW)
START TIME: 04/18/2013 09:12:47.938778
CHECK DATE: 20130301 CHECK SEVERITY: MEDIUM
* Medium Severity Exception *

CSFH0022E (ICSF,ICSMIG77A1_UNSUPPORTED_HW):
Current processor (z800 or z900) will not be supported on a migration
to ICSF FMID HCR77A1. ICSF FMID HCR77A1 is planned to require IBM zSeries z890,
z990, or newer processors.

Explanation: The processor this check was executed on will not be
supported by ICSF FMID HCR77A1. ICSF FMID HCR77A1 will not start on
zSeries 900 and 800 processors. All releases of ICSF prior to ICSF FMID
```



HCR77A1 support the zSeries 900 and 800 processors.

System action: There is no effect on the system.

Operator response: Contact the ICSF administrator.

System Programmer Response: Contact the ICSF administrator.

Problem Determination: n/a

Source: n/a

Reference Documentation: z/OS Cryptographic Services Integrated  
Cryptographic Service Facility: Overview.

Automation: n/a

Check Reason: Detects systems that ICSF no longer supports.



---

## Appendix A. ICSF Panels

This appendix contains examples of ICSF panels.

### ICSF Primary Menu panel

---

```
HCR77D0 ----- Integrated Cryptographic Service Facility -----
System Name: SY1                               Crypto Domain: 3
Enter the number of the desired option.

  1 COPROCESSOR MGMT - Management of Cryptographic Coprocessors
  2 KDS MANAGEMENT  - Master key set or change, KDS processing
  3 OPSTAT           - Installation options
  4 ADMINCNTL        - Administrative Control Functions
  5 UTILITY           - ICSF Utilities
  6 PPINIT           - Pass Phrase Master Key/KDS Initialization
  7 TKE              - TKE PKA Direct Key Load
  8 KGUP             - Key Generator Utility processes
  9 UDX MGMT         - Management of User Defined Extensions

Licensed Materials - Property of IBM
5650-ZOS (C) Copyright IBM Corp. 1989, 2017.
US Government Users Restricted Rights - Use, duplication or
disclosure restricted by GSA ADP Schedule Contract with IBM Corp.

Press ENTER to go to the selected option.
Press END   to exit to the previous menu.
```

### CSFACF00 – Administrative Control Functions panel

---

```
CSFACF00 ----- ICSF Administrative Control Functions
COMMAND ==>
  Active CKDS: CSF.CKDS
  Active PKDS: CSF.PKDS
  Active TKDS: CSF.TKDS

To change the status of a control, enter the appropriate character
(E - ENABLE, D - DISABLE) and press ENTER.

      Function                               STATUS
      -----                               -
.   Dynamic CKDS Access                     ENABLED
.   PKA Callable Services                   ENABLED
.   Dynamic PKDS Access                     ENABLED
```

## CSFCKD20 – CKDS Operations panel

---

```
CSFCKD20 ----- ICSF - CKDS Operations -----  
COMMAND ==>
```

Enter the number of the desired option.

- 1 Initialize an empty CKDS
- 2 REFRESH - Activate an updated CKDS
- 3 Update an existing CKDS
- 4 Update an existing CKDS and activate master keys
- 5 Refresh and activate master keys

Enter the name of the CKDS below.

CKDS ==>

## CSFCKD30 – PKDS Operations panel

---

```
CSFCKD30 ----- ICSF - PKDS Operations -----  
COMMAND ==>
```

Enter the number of the desired option.

- 1 Initialize an empty PKDS and activate master keys  
KDSR format? (Y/N) ==>
- 2 REFRESH - Activate a PKDS
- 3 Update an existing PKDS
- 4 Update an existing PKDS and activate master keys
- 5 Refresh and activate master keys

Enter the name of the PKDS below.

PKDS ==>

Press ENTER to execute your option.  
Press END to exit to the previous menu.

## CSFCMK10 – Reencipher CKDS panel

---

```
CSFCMK10 ----- ICSF - Reencipher CKDS -----  
COMMAND ==>
```

To reencipher all CKDS entries from encryption under the current master key  
to encryption under the new master key enter the CKDS names below.

Input CKDS ==>

Output CKDS ==>

## CSFCMK12 – Reencipher PKDS panel

---

```
CSFCMK12 ----- ICSF - Reencipher PKDS -----  
COMMAND ===>
```

To reencipher all PKDS entries from encryption under the old RSA master key and/or current ECC master keys to encryption under the current RSA master key and/or new ECC master key, enter the PKDS names below.

Input PKDS ===>

Output PKDS ===>

Press ENTER to reencipher the PKDS.  
Press END to exit to the previous menu

## CSFCMK20 – Change Master Key panel

---

```
CSFCMK20 ----- ICSF Change Master Key -----  
COMMAND ===>
```

Enter the name of the new CKDS below:

New CKDS ===>

When the master key is changed, the new CKDS will become active.

## CSFCMK21 – Refresh PKA Cryptographic Key Data Set panel

---

```
CSFCMK21 ----- ICSF - Refresh PKA Cryptographic Key Data Set -----  
COMMAND ===>
```

Enter the name of the new PKDS below.

New PKDS ===>

Press ENTER to refresh the PKDS.  
Press END to exit to the previous menu

## CSFCMK22 – Change Asymmetric Master Key panel

---

```
CSFCMK22 ----- ICSF - Change Asymmetric Master Key -----
```

Enter the name of the new PKDS below.

New PKDS ===>

When the master key is changed, the new PKDS will become active.

## CSFCMK30 – Initialize a PKDS panel

```
CSFCMK30 ----- ICSF - Initialize a PKDS -----  
COMMAND ==>
```

Enter the name of the PKDS to be initialized below.

```
PKDS ==>
```

## CSFCMP00 – Coprocessor Management panel

**Note:** The highest version of supported cryptographic adapter is determined by the ICSF release.

In the following examples of the CSFCMP00 ICSF Coprocessor Management panel, both Crypto Express5 (CEX5S) and Crypto Express6 (CEX6S) are supported by the zSeries server.

On this ICSF Coprocessor Management panel, the highest adapter supported by the ICSF release is the CEX6S. Therefore, the CEX6S adapters are displayed as 6C12 and 6A02.

```
CSFCMP00----- ICSF Coprocessor Management ----- Row 1 to 4 of 4  
COMMAND ==> SCROLL ==> PAGE
```

Select the cryptographic features to be processed and press ENTER.  
Action characters are: A, D, E, K, R, S and V. See the help panel for details

CRYPTO FEATURE	SERIAL NUMBER	STATUS	AES	DES	ECC	RSA	P11
. 5C00	DV4CK428	Active	A	A	A	A	
. 6A02	N/A	Active					
. 5P03	DV4CB353	Active					A
. 6C12	DV747307	Active	A	A	A	A	

Next, the ICSF Coprocessor Management panel is displayed from a lower release of ICSF, where the highest adapter supported by ICSF is the CEX5S. Therefore, the same two CEX6S adapters are now displayed as 5C12 and 5A02.

```
CSFCMP00----- ICSF Coprocessor Management ----- Row 1 to 4 of 4  
COMMAND ==> SCROLL ==> PAGE
```

Select the cryptographic features to be processed and press ENTER.  
Action characters are: A, D, E, K, R, S and V. See the help panel for details

CRYPTO FEATURE	SERIAL NUMBER	STATUS	AES	DES	ECC	RSA	P11
. 5C00	DV4CK428	Active	A	A	A	A	
. 5A02	N/A	Active					
. 5P03	DV4CB353	Active					A
. 5C12	DV747307	Active	A	A	A	A	

Use the DISPLAY ICSF,CARDS command to display the firmware level of the adapters.

## CSFMKM10 – Key Data Set Management panel

---

```
CSFMKM10 ----- ICSF - Key Data Set Management -----  
OPTION ==> 1
```

Enter the number of the desired option.

- 1 CKDS MK MANAGEMENT - Perform Cryptographic Key Data Set (CKDS) functions including master key management
- 2 PKDS MK MANAGEMENT - Perform Public Key Data Set (PKDS) functions including master key management
- 3 TKDS MK MANAGEMENT - Perform PKCS #11 Token Data Set (TKDS) functions including master key management
- 4 SET MK - Set master key

## CSFMKM20 – CKDS Management panel

---

```
CSFMKM20 ----- ICSF - CKDS Management -----  
OPTION ==> 1
```

Enter the number of the desired option.

- 1 CKDS OPERATIONS - Initialize a CKDS, activate a different CKDS, (Refresh), or update the header of a CKDS and make it active
- 2 REENCIPHER CKDS - Reencipher the CKDS prior to changing a symmetric master key
- 3 CHANGE SYM MK - Change a symmetric master key and activate the reenciphered CKDS
- 4 COORDINATED CKDS REFRESH - Perform a coordinated CKDS refresh
- 5 COORDINATED CKDS CHANGE MK - Perform a coordinated CKDS change master key
- 6 COORDINATED CKDS CONVERSION - Convert the CKDS to use KDSR record format
- 7 CKDS KEY CHECK - Check keys in the active CKDS for format errors

## CSFMKM30 – PKDS Management panel

---

```
CSFMKM30 ----- ICSF - PKDS Management -----  
OPTION ==> 1
```

Enter the number of the desired option.

- 1 PKDS OPERATIONS - Initialize a PKDS, activate a different PKDS, (Refresh), or update the header of a PKDS and make it active
- 2 REENCIPHER PKDS - Reencipher the PKDS
- 3 CHANGE ASYM MK - Change an asymmetric master key and activate the reenciphered PKDS
- 4 COORDINATED PKDS REFRESH - Perform a coordinated PKDS refresh
- 5 COORDINATED PKDS CHANGE MK - Perform a coordinated PKDS change master key
- 6 COORDINATED PKDS CONVERSION - Convert the PKDS to use KDSR record format
- 7 PKDS KEY CHECK - Check keys in the active PKDS for format errors

Press ENTER to go to the selected option.  
Press END to exit to the previous menu.

```
OPTION ==>
```

## CSFMKV00 – Checksum and Verification Pattern panel

```
CSFMKV00 ----- ICSF - Checksum and Verification and Hash Pattern -----
COMMAND ==>

Enter data below:

Key Type      ==>          (Selection panel displayed if blank)

Key Value     ==> 51ED9CFA90716CFB Input key value 1
               ==> 58403BFA02BD13E8 Input key value 2
               ==> 9B28AEFA8C47760F Input key value 3 (AES & ECC & RSA Keys)
               ==> 0000000000000000 Input key value 4 (AES & ECC Keys only)

Checksum      : 00          Check digit for key value
Key Part VP   : 0000000000000000 Verification Pattern
Key Part HP   : 0000000000000000 Hash Pattern
               : 0000000000000000
```

## CSFMKV10 – Key Type Selection panel

```
CSFMKV00 ----- ICSF - Key Type Selection Panel ----- ROW 1 to 12 OF 12
COMMAND ==>

Select one key type only

KEY TYPE          DESCRIPTION
AES-MK            AES Master Key
DES-MK            DES Master key (16-byte)
DES24-MK DES Master key (24-byte)
ECC-MK            ECC Master key
EXPORTER          Export key encrypting key
IMP-PKA           Limited authority importer key
IMPORTER          Import key encrypting key
IPINENC           Input PIN encrypting key
OPINENC           Output PIN encrypting key
PINGEN           PIN generation key
PINVER            PIN verification key
RSA-MK            RSA Master key
***** BOTTOM OF DATA *****
```

## CSFPMC20 – Pass Phrase MK/CKDS/PKDS Initialization

```
CSFPMC20 ----- ICSF - Pass Phrase MK/CKDS/PKDS Initialization -----

ARE YOU SURE YOU WISH TO PROCEED WITH PASS PHRASE INITIALIZATION?

There are currently coprocessors with valid valid_master_key_types master
key(s). If you proceed with pass phrase initialization, the master key value(s)
May change.

If you wish to initialize new coprocessors only, return to the previous panel
and select the Add coprocessors action.

To proceed with pass phrase initialization, PKA callable services must be
disabled. Use the Administrative Control Functions utility to disable PKA
callable services.

Press ENTER to proceed with pass phrase initialization.
Press END to exit to the previous menu.
```



## CSFPPM00 – Master Key Values from Pass Phrase panel

---

```
CSFPPM00 ----- ICSF - Master Key Values from Pass Phrase -----  
Pass Phrase ( 16 to 64 characters)  
==>-----  
Signature/Asymmetric-keys master key : 0000000000000000  
                                         : 0000000000000000  
                                         : 0000000000000000  
  
Key Management master key           : 0000000000000000  
                                         : 0000000000000000  
                                         : 0000000000000000
```

## CSFRNG00 – ICSF Random Number Generator panel

---

```
CSFRNG00 ----- ICSF - Random Number Generator -----  
COMMAND ==>  
  
Enter data below:  
  
Parity Option ==> RANDOM          ODD, EVEN, RANDOM  
Random Number1 : 0000000000000000 Random Number 1  
Random Number2 : 0000000000000000 Random Number 2  
Random Number3 : 0000000000000000 Random Number 3  
Random Number4 : 0000000000000000 Random Number 4
```

## CSFSOP00 – Installation Options panel

---

```
CSFSOP00 ----- ICSF - Installation Options -----  
OPTION ==> 2  
  
Enter the number of the desired option above.  
  
1  OPTIONS - Display Installation Options  
2  EXITS   - Display Installation exits and exit options  
3  SERVICES - Display Installation Defined Services
```

## CSFSOP30 – Installation Exits Display panel

```
CSFSOP30 ----- ICSF - Installation Exits Display ---- ROW 1 TO 18 OF 70
COMMAND ==>
```

ICSF NAME	LOAD MODULE	OPTIONS
CSFCKDS		*** No Exit Name was specified ***
CSFCKI		*** No Exit Name was specified ***
CSFCKM		*** No Exit Name was specified ***
CSFCONVX		*** No Exit Name was specified ***
CSFCPA		*** No Exit Name was specified ***
CSFCPE		*** No Exit Name was specified ***
CSFCSG		*** No Exit Name was specified ***
CSFCSV		*** No Exit Name was specified ***
CSFCTT2		*** No Exit Name was specified ***
CSFCTT3		*** No Exit Name was specified ***
CSFCVE		*** No Exit Name was specified ***
CSFCVT		*** No Exit Name was specified ***
CSFDCO		*** No Exit Name was specified ***
CSFDEC		*** No Exit Name was specified ***
CSFDEC1		*** No Exit Name was specified ***
CSFDKG		*** No Exit Name was specified ***
CSFDKM		*** No Exit Name was specified ***
CSFDKX		*** No Exit Name was specified ***
CSFDSG		*** No Exit Name was specified ***
CSFDSV		*** No Exit Name was specified ***
CSFDVPI		*** No Exit Name was specified ***
CSFECD		*** No Exit Name was specified ***
CSFEDC	USEREDC	NONE - Take no action, if this exit fails

## CSFUTL00 – ICSF Utilities panel

```
CSFUTL00 ----- ICSF - Utilities -----
OPTION ==>
```

Enter the number of the desired option.

- 1 ENCODE - Encode data
- 2 DECODE - Decode data
- 3 RANDOM - Generate a random number
- 4 CHECKSUM - Generate a checksum and verification patterns
- 5 CKDSKEYS - Manage keys in the CKDS
- 6 PKDSKEYS - Manage keys in the PKDS
- 7 PKCS11 TOKEN - Manage PKCS11 tokens in the TKDS

Press ENTER to go to the selected option.

Press END to exit to the previous menu.

```
OPTION ==>
```

## Appendix B. Control Vector Table

**Note:** The control vectors used in ICSF are the same as the IBM 4767 PCIe Cryptographic Coprocessor.

The master key enciphers all keys operational on your system. A transport key enciphers keys that are distributed off your system. Prior to a master key or transport key enciphering a key, ICSF exclusive ORs both halves of the master key or transport key with a control vector. The same control vector is exclusive ORed to the left and right half of a master key or transport key.

Also, if you are entering a key part, ICSF exclusive ORs each half of the key part with a control vector prior to placing the key part into the CKDS.

Each type of key on ICSF (except the master key) has either one or two unique control vectors associated with it. The control vector that ICSF exclusive ORs the master key or transport key with depends on the type of key the master key or transport key is enciphering. For double-length keys, a unique control vector exists for each half of a specific key type. For triple-length keys, the left and right vectors are the same. For example, there is a control vector for the left half of an input PIN-encrypting key, and a control vector for the right half of an input PIN-encrypting key.

If you are entering a key part into the CKDS, ICSF exclusive ORs the key part with the unique control vector or vectors associated with the key type. ICSF also enciphers the key part with two master key variants for a key part. One master key variant enciphers the left half of the key part, and another master key variant enciphers the right half of the key part. ICSF creates the master key variants for a key part by exclusive ORing the master key with the control vectors for key parts. These procedures protect key separation.

Table 73 on page 489 displays the default value of the control vector that is associated with each type of key. For keys that are double-length, ICSF enciphers a unique control vector on each half.

Key Type	Control Vector Value (Hex) Value for Single-length Key or Left Half of Double-length Key	Control Vector Value (Hex) Value for Right Half of Double- length Key
<b>CIPHER</b>	00 03 71 00 03 00 00 00	
<b>CIPHER (double length)</b>	00 03 71 00 03 41 00 00	00 03 71 00 03 21 00 00
<b>CIPHER (triple length)</b>	00 03 71 00 03 60 00 81	00 03 71 00 03 60 00 81
<b>CIPHERXI</b>	00 0C 50 00 03 C0 00 00	00 0C 50 00 03 A0 00 00
<b>CIPHERXO</b>	00 0C 60 00 03 C0 00 00	00 0C 60 00 03 A0 00 00
<b>CIPHERXL</b>	00 0C 71 00 03 C0 00 00	00 0C 71 00 03 A0 00 00
<b>CVARDEC</b>	00 3F 42 00 03 00 00 00	
<b>CVARENC</b>	00 3F 48 00 03 00 00 00	
<b>CVARPINE</b>	00 3F 41 00 03 00 00 00	
<b>CVARXCVL</b>	00 3F 44 00 03 00 00 00	
<b>CVARXCVR</b>	00 3F 47 00 03 00 00 00	
<b>DATA (single-length)</b>	00 00 7D 00 03 00 00 00	
<b>DATA zero CV</b>	00 00 00 00 00 00 00 00	
<b>DATA (double-length)</b>	00 00 7D 00 03 41 00 00	00 00 7D 00 03 21 00 00
<b>DATA (double-length) zero CV</b>	00 00 00 00 00 00 00 00	00 00 00 00 00 00 00 00

Table 73. Default Control Vector Values (continued)

Key Type	Control Vector Value (Hex) Value for Single-length Key or Left Half of Double-length Key	Control Vector Value (Hex) Value for Right Half of Double- length Key
<b>DATA (triple-length)</b>	00 00 7D 00 03 60 00 81	00 00 7D 00 03 60 00 81
<b>DATA (triple-length) zero CV</b>	00 00 00 00 00 00 00 00	00 00 00 00 00 00 00 00
<b>DATA C</b>	00 00 71 00 03 41 00 00	00 00 71 00 03 21 00 00
<b>DATAM generation key (external)</b>	00 00 4D 00 03 41 00 00	00 00 4D 00 03 21 00 00
<b>DATAM key (internal)</b>	00 00 4D 00 03 00 00 00	00 00 4D 00 03 00 00 00
<b>DATAMV MAC verification key (external)</b>	00 00 44 00 03 41 00 00	00 00 44 00 03 21 00 00
<b>DATAMV MAC verification key (internal)</b>	00 00 44 00 03 00 00 00	00 00 44 00 03 00 00 00
<b>DECIPHER</b>	00 03 50 00 03 00 00 00	
<b>DECIPHER (double-length)</b>	00 03 50 00 03 41 00 00	00 03 50 00 03 21 00 00
<b>DECIPHER (triple-length)</b>	00 03 50 00 03 60 00 81	00 03 50 00 03 60 00 81
<b>DKYGENKY</b>	00 71 44 00 03 41 00 00	00 71 44 00 03 21 00 00
<b>ENCIPHER</b>	00 03 60 00 03 00 00 00	
<b>ENCIPHER (double-length)</b>	00 03 60 00 03 41 00 00	00 03 60 00 03 21 00 00
<b>ENCIPHER (triple-length)</b>	00 03 60 00 03 60 00 81	00 03 60 00 03 60 00 81
<b>EXPORTER (double-length)</b>	00 41 7D 00 03 41 00 00	00 41 7D 00 03 21 00 00
<b>EXPORTER (triple-length)</b>	00 41 7D 00 03 60 00 81	00 41 7D 00 03 60 00 81
<b>IKEYXLAT</b>	00 42 42 00 03 41 00 00	00 42 42 00 03 21 00 00
<b>IMP-PKA (double-length)</b>	00 42 05 00 03 41 00 00	00 42 05 00 03 21 00 00
<b>IMP-PKA (triple-length)</b>	00 42 05 00 03 60 00 81	00 42 05 00 03 60 00 81
<b>IMPORTER (double-length)</b>	00 42 7D 00 03 41 00 00	00 42 7D 00 03 21 00 00
<b>IMPORTER (triple-length)</b>	00 42 7D 00 03 60 00 81	00 42 7D 00 03 60 00 81
<b>IPINENC (double-length)</b>	00 21 5F 00 03 41 00 00	00 21 5F 00 03 21 00 00
<b>IPINENC (triple-length)</b>	00 21 5F 00 03 60 00 81	00 21 5F 00 03 60 00 81
<b>MAC</b>	00 05 4D 00 03 00 00 00	
<b>MAC (double-length)</b>	00 05 4D 00 03 41 00 00	00 05 4D 00 03 21 00 00
<b>MAC (triple-length)</b>	00 05 4D 00 03 60 00 81	00 05 4D 00 03 60 00 81
<b>MACVER</b>	00 05 44 00 03 00 00 00	
<b>MACVER (double-length)</b>	00 05 44 00 03 41 00 00	00 05 44 00 03 21 00 00
<b>MACVER (triple-length)</b>	00 05 44 00 03 60 00 81	00 05 44 00 03 60 00 81
<b>OKEYXLAT</b>	00 41 42 00 03 41 00 00	00 41 42 00 03 21 00 00
<b>OPINENC (double-length)</b>	00 24 77 00 03 41 00 00	00 24 77 00 03 21 00 00

Table 73. Default Control Vector Values (continued)

Key Type	Control Vector Value (Hex) Value for Single-length Key or Left Half of Double-length Key	Control Vector Value (Hex) Value for Right Half of Double- length Key
<b>OPINENC (triple-length)</b>	00 24 77 00 03 60 00 81	00 24 77 00 03 60 00 81
<b>PINGEN (double-length)</b>	00 22 7E 00 03 41 00 00	00 22 7E 00 03 21 00 00
<b>PINGEN (triple-length)</b>	00 22 7E 00 03 60 00 81	00 22 7E 00 03 60 00 81
<b>PINVER (double-length)</b>	00 22 42 00 03 41 00 00	00 22 42 00 03 21 00 00
<b>PINVER (triple-length)</b>	00 22 42 00 03 60 00 81	00 22 42 00 03 60 00 81



---

## Appendix C. Supporting Algorithms and Calculations

This appendix shows various algorithms and calculations that are used in cryptographic systems.

### Checksum Algorithm

---

To enter a key or a master key manually, you enter key parts. When you enter a key part, you enter two key part halves and a checksum for the key part. The checksum is a two-digit number you calculate using the key part and the checksum algorithm.

When you enter the key part and the checksum, ICSF calculates the checksum for the key part you entered. If the checksum you enter and the checksum ICSF calculates do not match, you did not enter the key part correctly and should reenter it. When you enter a key part, you need to calculate the checksum. You can use the checksum algorithm that is described in this appendix.

In the checksum algorithm, you use these operations:

- Sum Operation

The addition table in [Figure 348 on page 494](#) defines the sum operation. The sum of two hexadecimal digits  $i$  and  $j$  is the entry at the intersection of the column  $i$  and the row  $j$ . For example, the sum of A and 6 is C.

Sum	0	1	2	3	4	5	6	7	8	9	A	B	C	D	E	F
0	0	1	2	3	4	5	6	7	8	9	A	B	C	D	E	F
1	1	0	3	2	5	4	7	6	9	8	B	A	D	C	F	E
2	2	3	0	1	6	7	4	5	A	B	8	9	E	F	C	D
3	3	2	1	0	7	6	5	4	B	A	9	8	F	E	D	C
4	4	5	6	7	0	1	2	3	C	D	E	F	8	9	A	B
5	5	4	7	6	1	0	3	2	D	C	F	E	9	8	B	A
6	6	7	4	5	2	3	0	1	E	F	C	D	A	B	8	9
7	7	6	5	4	3	2	1	0	F	E	D	C	B	A	9	8
8	8	9	A	B	C	D	E	F	0	1	2	3	4	5	6	7
9	9	8	B	A	D	C	F	E	1	0	3	2	5	4	7	6
A	A	B	8	9	E	F	C	D	2	3	0	1	6	7	4	5
B	B	A	9	8	F	E	D	C	3	2	1	0	7	6	5	4
C	C	D	E	F	8	9	A	B	4	5	6	7	0	1	2	3
D	D	C	F	E	9	8	B	A	5	4	7	6	1	0	3	2
E	E	F	C	D	A	B	8	9	6	7	4	5	2	3	0	1
F	F	E	D	C	B	A	9	8	7	6	5	4	3	2	1	0

Figure 348. Addition Table

- Shift Operation

The shift table in Figure 349 on page 494 defines the shift operation. The shift of digit  $i$  is denoted by  $H(i)$ . For example, the shift of 5 is  $H(5) = E$ .

$i$	0	1	2	3	4	5	6	7	8	9	A	B	C	D	E	F
$H(i)$	0	C	1	D	2	E	3	F	4	8	5	9	6	A	7	B

Figure 349. Shift Table

In this description of the algorithm, the two hexadecimal digits of the checksum are represented by P1 and P2 for the set of 32 hexadecimal digits  $D(1,2,\dots,32)$ . The letter  $i$  represents the increment.

To calculate the checksum, use this algorithm:

1. Set  $i = 0$ , and set P1 and P2 = 0 (hexadecimal).
2. Let P1 = Sum of P1 and  $D(i + 1)$ . Let P2 = Sum of P2 and  $D(i + 2)$ .
3. Let P1 =  $H(P1)$ . Let P2 =  $H(P2)$ .



4. Let  $i = i + 2$ . If  $i < 32$ , go to step 2; otherwise, go to step 5.
5. P1 equals the first checksum digit. P2 equals the second checksum digit.

## Algorithm for calculating a verification pattern

---

To enter a master key or operational key manually, you enter key parts. When you enter a key part, ICSF displays a verification pattern for that key part on a panel. To verify that you entered the key part correctly, you can use the value of the key part you enter to calculate the verification pattern. Check that the verification pattern you calculate matches the verification ICSF calculates.

To calculate this verification pattern for DES operational keys and the 16-byte DES master key, use this algorithm:

1. If the key part is an operational key part, exclusive OR the key part with the control vector for the key part's key type. See Appendix B, "Control Vector Table," on page 489, for a listing of control vectors by key type. If the key part is a master key part, do not exclusive OR it with a control vector.
2. Use the DES algorithm to encrypt the left half of the key part (either master key part or modified operational key part) under the key X'4545 4545 4545 4545'.
3. Exclusive OR the result of step "2" on page 495 with the left half of the key part.
4. Use the result of step "3" on page 495 as the DES key in the DES algorithm to encrypt the right half of the key part.
5. Exclusive OR the result of step "4" on page 495 with the right half of the key part.

The resulting 64-bit value is the verification pattern.

To calculate this verification pattern for the 24-byte DES master key, use this algorithm:

1. Appending X'01' to the clear key value of 24-byte master key (01 || key value)
2. Generating the SHA-1 hash of the 25-byte string

The first eight bytes of the hash is the verification pattern.

The verification pattern for the master key appears on the Coprocessor Selection and Hardware Status panels. If a master key register is full, the panels display the master key verification pattern. The verification patterns for two identical master keys are the same. You can use the verification patterns to verify that master keys in two different key storage units are the same.

ICSF records a master key verification pattern in the SMF record when you enter a master key part or activate a master key. The ICSF SMF record also records a verification pattern when you enter an operational key part.

## AES and ECC master key verification pattern algorithm

The AES and ECC master key verification pattern is calculated by:

1. Appending X'01' to the clear key value of 32-byte master key (01 || key value).
2. Generating the SHA-256 hash of the 33-byte string.

The first eight bytes of the hash is the verification pattern.

## RSA master key verification pattern algorithm

The RSA master key verification pattern is calculated by generating the MDC-4 digest of the clear key value of the 24-byte master key. The 16-byte digest is the verification pattern.

## Pass Phrase Initialization master key calculations

---

The values for the master keys are calculated in this manner:

1. ICSF appends a two-byte constant, X'AB45', to the pass phrase, and generates the MD5 hash for the string by using an initial hash value of X'23A0BE487D9BD32003424FAAA34BCE00'. The first eight bytes of the result of this calculation become the last eight bytes of the RSA master key.
2. ICSF appends a four-byte constant, X'551B1B1B', to the pass phrase, and generating the MD5 hash for the string using the hash that results from Step 1 as the initial hash value. For system with a 16-byte DES master key, the output of this step is the master key. For a 24-byte DES master key, the last eight bytes of the results of step 1 is pre-appended to output of this step to get the master key value.
3. ICSF appends a three-byte constant, X'2A2A88', to the pass phrase and generates the MD5 hash for the string using the output hash of Step 2 as the initial hash value. The result of this calculation becomes the first 16 bytes of RSA master key.
4. ICSF appends a one-byte constant, X'94' to the pass phrase, and generates the MD5 hash for the string using the output hash of Step 3 as the initial hash value. The result of this calculation is not used, but is required for compatibility.
5. ICSF appends a five-byte constant X'C1C5E2D4D2' to the pass phrase, and generates the SHA-256 hash for the string using the output hash of Step 4 as the initial hash value. The result of this calculation becomes the 32-byte AES master key.
6. ICSF appends a seven-byte constant X'C5D3D3C9D7E2C5' to the pass phrase and generates the SHA-256 hash for the string using the output hash of Step 5 as the initial hash value. The result of this calculation becomes the 32-byte ECC master key.

## The MDC-4 Algorithm for Generating Hash Patterns

The MDC-4 algorithm calculation is a one-way cryptographic function that is used to compute the hash pattern of a key part. MDC uses encryption only, and the default key is 5252 5252 5252 5252 2525 2525 2525 2525.

### Notations Used in Calculations

The MDC calculations use this notation:

#### **eK(X)**

Denotes DES encryption of plaintext X using key K

#### **||**

Denotes the concatenation operation

#### **XOR**

Denotes the exclusive-OR operation

#### **:=**

Denotes the assignment operation

#### **T8<1>**

Denotes the first 8-byte block of text

#### **T8<2>**

Denotes the second 8-byte block of text, and so on

#### **KD1, KD2, IN1, IN2, OUT1, OUT2**

Denote 64-bit quantities

### MDC-1 Calculation

The MDC-1 calculation, which is used in the MDC-4 calculation, consists of this procedure:

```
MDC-1 (KD1, KD2, IN1, IN2, OUT1, OUT2);
  Set KD1mod := set bit 1 and bit 2 of KD1 to "1" and "0", respectively.
  Set KD2mod := set bit 1 and bit 2 of KD2 to "0" and "1", respectively.
  Set F1 := IN1 XOR eKD1mod(IN1)
  Set F2 := IN2 XOR eKD2mod(IN2)
  Set OUT1 := (bits 0..31 of F1) || (bits 32..63 of F2)
```

```
Set OUT2 := (bits 0..31 of F2) || (bits 32..63 of F1)
End procedure
```

## MDC-4 Calculation

The MDC-4 calculation consists of this procedure:

```
MDC-4 (n, text, KEY1, KEY2, MDC);
  For i := 1, 2, ...n do
    Call MDC-1(KEY1,KEY2,T8<i>,T8<i>,OUT1,OUT2)
    Set KEY1int := OUT1
    Set KEY2int := OUT2
    Call MDC-1(KEY1int,KEY2int,KEY2,KEY1,OUT1,OUT2)
    Set KEY1 := OUT1
    Set KEY2 := OUT2
  End do
  Set output MDC := (KEY1 || KEY2)
End procedure
```



## Appendix D. PR/SM Considerations during Key Entry

If you use logical partition (LPAR) mode provided by the Processor Resource/System Manager (PR/SM), you may have additional considerations when performing these tasks:

- Entering keys
- Displaying hardware status
- Using the public key algorithm
- Using a TKE Workstation

These additional considerations depend on your processor hardware. For example, LPAR mode permits you to have multiple logical partitions and each logical partition (LP) can have access to the crypto CP for key entry. Therefore, at any given time, multiple LPs can perform key entry procedures.

This appendix gives some basic information on using ICSF in LPAR mode.

### Allocating Cryptographic Resources to a Logical Partition

Logical Partitions (LPs) operate independently but can share access to the same cryptographic coprocessor, just as they can share access to I/O devices and any other central processor resources. When you activate the LP, you can specify which cryptographic functions are enabled for that LP. The cryptographic resources available to the LP and the way you allocate them to the LP depends on the server or processor you are using.

### Allocating Resources

Dynamically enabling use of a new coprocessor or accelerator to a partition requires that:

- At least one usage domain index be defined to the logical partition.
- The usage domain list is a subset of the control domain list.
- The cryptographic coprocessor number or numbers be defined in the partition Candidate list.

The same usage domain index may be defined more than once across multiple logical partitions. However, the cryptographic coprocessor number coupled with the usage domain index specified must be unique across all active logical partitions.

The same cryptographic coprocessor number and usage domain index combination may be defined for more than one logical partition. In such a configuration, only one of the logical partitions can be active at any time. This may be used, for example, to define a configuration for backup situations.

Table 74 on page 499 illustrates a simplified configuration map.

Each row identifies a logical partition and each column a cryptographic coprocessor, installed or in plan. Each cell, indicates the Usage Domain Index number or numbers planned to be assigned to the partition in its image profile (it is recommended to work from a spreadsheet). There is a potential conflict when, for a given row, different cells contain more than once the same domain number.

coprocessor ID	AP0	AP1	AP2	AP3	AP4	AP5	AP6	...
LPAR lp0	0	0				0	0	
LPAR lp1			0	0	0			
LPAR lp2	0	0	0	0	0			
LPAR lp4	4 14	4 14	4 14	4 14	4 14	4 14	4 14	

Table 74. Planning LPARs domain and cryptographic coprocessor. Planning LPARs domain and cryptographic coprocessor (continued)

coprocessor ID	AP0	AP1	AP2	AP3	AP4	AP5	AP6	...
LPAR lp5				1	1	1	1	
.../...								

Within a row, the domain index number or numbers specified are identical because the domain index applies to all cryptographic coprocessors selected in the partition Candidate list. In the example:

- Logical partitions lp0 and lp1 use domain 0 but are assigned different cryptographic coprocessors. The combination domain number and cryptographic coprocessor number is unique across partitions. Both partitions lp0 and lp1 can both be active at the same time.
- Logical partition lp4 uses domain 4 and 14. Since no other partition uses the same domain numbers, there is no conflict.
- Logical partition lp5 uses domain 1 and no other partition uses the same domain number. Again, there is no conflict.
- Logical partitions lp2 use domain 0, on the set of cryptographic coprocessors already used by lp0 and lp1. Partition lp2 cannot be active concurrently with lp0 or lp1. However, this may be a valid configuration to cover for backup situations.

## Entering the Master Key or Other Keys in LPAR Mode

To perform key entry from the TKE workstation, you must use a logical partition that already has key entry enabled.

In certain situations, ICSF clears the master key registers so the master key value is not disclosed. ICSF clears the master keys in all the logical partitions. The CKDSs and PKDSs are still enciphered under the master keys. To recover the keys in the CKDSs and PKDSs, you must reenter and activate the master keys used on your system.

To restore the master keys, first ensure that key entry is enabled for all usage domain indexes for which you need to reenter the master keys. Since multiple domains can have key entry enabled, the domains may already be enabled. Reenter and activate the master key for all usage domain indexes. You can do this either through the Clear Master Key Part Entry panels or the TKE workstation.

## Reusing or Reassigning a Domain

In the course of business, you may find it necessary to reuse or reassign a domain that is currently active. If this is the case, there are several steps to perform. It is a good security practice to zeroize the domain secrets, which includes retained keys and master keys.

Run the retained key delete service in the domain to remove them.

You can zeroize the master key with the TKE workstation or with TSO panels. For information on the TKE process, see *z/OS Cryptographic Services ICSF TKE Workstation User's Guide*.

# Appendix E. CCA access control points and ICSF utilities

For information about PKCS #11 access control points, see 'PKCS #11 Coprocessor Access Control Points' in *z/OS Cryptographic Services ICSF Writing PKCS #11 Applications*.

Access to utilities that are executed on the CCA coprocessor is through access control points (ACPs) in the ICSF role. To execute utilities on the coprocessor, access control points must be enabled for each service in the ICSF role. The TKE workstation allows you to enable or disable access control points.

A new or a zeroized coprocessor (or domain) comes with an initial set of access control points (ACPs) that are enabled by default. The table of access control points lists the default setting of each access control point.

When a firmware upgrade is applied to an existing cryptographic coprocessor, the upgrade may introduce new ACPs.

- If a TKE workstation has been used to manage a cryptographic coprocessor, the firmware upgrade does not retroactively enable the new ACPs. These ACPs must be enabled via the TKE (or subsequent zeroize) in order to utilize the new support they govern.
- If a TKE workstation has not been used to manage a cryptographic coprocessor, the firmware upgrade retroactively updates the new ACPs that would be enabled by default.

**Note:** Access control points for ICSF callable services are listed in appendix G of *z/OS Cryptographic Services ICSF Application Programmer's Guide*.

## Access Control Points

If an access control point is disabled, the corresponding ICSF utility will fail during execution with an access denied error.

The table includes the following columns:

### Name

The descriptive name of the access control point. This is the name used when displaying the ICSF role from the ICSF Coprocessor Management panel.

### Utility

The utility that requires this access control point to be enabled for operation. The name is the CSFSERV profile name that controls the utility

### Offset

The hexadecimal offset, or access-control-point code, for the control in the domain role in the coprocessor.

### Usage

The following abbreviations and symbols are used in this table:

AE - Always enabled, cannot be disabled.

ED - Enabled by default.

DD - Disabled by default.

SC - Usage of this access control point requires special consideration.

Name	Utility	Offset (Hex)	Usage
Authorize UDX	CSFUDM	0240	AE
AES Master Key - Clear new master key register	CSFDKCS	0124	ED

<i>Table 75. Access control points and associated utilities (continued)</i>			
<b>Name</b>	<b>Utility</b>	<b>Offset (Hex)</b>	<b>Usage</b>
<b>AES Master Key - Combine key parts</b>	CSFDKCS	0126	ED
<b>AES Master Key - Load first key part</b>	CSFDKCS	0125	ED
<b>AES Master Key - Set master key</b>	CSFDKCS	0128	AE
<b>CKDS Conversion2 - Allow use of REFORMAT</b>	CSFCNV2	014C	ED
<b>CKDS Conversion2 - Allow wrapping override keywords</b>	CSFCNV2	0146	AE
<b>CKDS Conversion2 - Convert from enhanced to original</b>	CSFCNV2	0147	ED
<b>DES Master Key - Clear new master key register</b>	CSFDKCS	0032	ED
<b>DES Master Key - Combine key parts</b>	CSFDKCS	0019	ED
<b>DES Master Key - Load first key part</b>	CSFDKCS	0018	ED
<b>DES master key – 24-byte key</b>	CSFDKCS	0330	DD, SC
<b>DES Master Key - Set master key</b>	CSFDKCS	001A	AE
<b>ECC Master Key - Clear new master key register</b>	CSFDKCS	031F	ED
<b>ECC Master Key - Combine key parts</b>	CSFDKCS	0321	ED
<b>ECC Master Key - Load first key part</b>	CSFDKCS	0320	ED
<b>ECC Master Key - Set master key</b>	CSFDKCS	0322	AE
<b>Operational Key Load</b>	CSFOPKL	0309	ED
<b>Operational Key Load - Variable-Length Tokens</b>	CSFOPKL	029E	ED
<b>PCF CKDS Conversion - Allow wrapping override keywords</b>	CSFCONV	0148	ED
<b>PCF CKDS Conversion Program</b>	CSFCONV	0303	ED
<b>Reencipher CKDS</b>	CSFRENC	001E	AE
<b>Reencipher CKDS2</b>	CSFRENC	00F0	AE
<b>Reencipher PKDS</b>	CSFRENC	0241	AE
<b>RSA Master Key - Clear new master key register</b>	CSFDKCS	0060	ED
<b>RSA Master Key - Combine key parts</b>	CSFDKCS	0054	ED
<b>RSA Master Key - Load first key part</b>	CSFDKCS	0053	ED
<b>RSA Master Key - Set master key</b>	CSFDKCS	0057	AE

**Note:** When reenciphering the CKDS, the **CKDS Conversion2 - Allow wrapping override keywords** access control must be enabled.



## Appendix F. Callable services affected by key store policy

This table provides application programmers guidance on parameters covered by the key store policy controls.

Only the names of the 31-bit versions of the callable services are listed. However, 64-bit versions of the callable services and the ALET qualified versions of the services are also covered by the key store policy. The callable services that are affected by the TOKEN\_CHECK key store policy controls are in [Table 76](#) on page 503.

<i>Table 76. Callable services and parameters affected by key store policy</i>		
<b>ICSF callable service</b>	<b>31-bit name</b>	<b>Parameter checked</b>
<b>Authentication Parameter Generate</b>	CSNBAPG	inbound_PIN_encrypting_key_identifier AP_encrypting_key_identifier
<b>Cipher Text Translate2</b>	CSNBCTT2	key_identifier_in key_identifier_out
<b>Clear PIN Encrypt</b>	CSNBCPE	PIN_encrypting_key_identifier
<b>Clear PIN Generate</b>	CSNBPGN	PIN_generation_key_identifier
<b>Clear PIN Generate Alternate</b>	CSNBCPA	PIN_encryption_key_identifier PIN_generation_key_identifier
<b>Control Vector Translate</b>	CSNBCVT	KEK_key_identifier source_key_token array_key_left array_key_right
<b>CVV Key Combine</b>	CSNBCKC	key_a_identifier key_b_identifier
<b>Cryptographic Variable Encipher</b>	CSNBCVE	c_variable_encrypting_key_identifier
<b>Data Key Export</b>	CSNBKX	source_key_identifier exporter_key_identifier
<b>Data Key Import</b>	CSNBKIM	source_key_token importer_key_identifier
<b>Decipher</b>	CSNBDEC	key_identifier
<b>Derive ICC MK</b>	CSNBDCM	issuer_master_key_identifier transport_key_identifier

Table 76. Callable services and parameters affected by key store policy (continued)

ICSF callable service	31-bit name	Parameter checked
<b>Derive Session Key</b>	CSNBDSK	master_key_identifier  <b>Note:</b> ICC master keys derived from issuer master keys are affected by key store policy before they are used to derive session keys.
<b>Digital Signature Generate</b>	CSNDDSG	PKA_private_key_identifier
<b>Digital Signature Verify</b>	CSNDDSV	PKA_public_key_identifier
<b>Diversified Key Generate</b>	CSNBDKG	generating_key_identifier generated_key_identifier
<b>Diversified Key Generate2</b>	CSNBDKG2	generating_key_identifier
<b>Diversify Directed Key</b>	CSNBDDK	generating_key_identifier
<b>DK Deterministic PIN Generate</b>	CSNBDDPG	PIN_generation_key_identifier PRW_key_identifier PIN_print_key_identifier OPIN_encryption_key_identifier OEPB_MAC_key_identifier
<b>DK Migrate PIN</b>	CSNBDMPP	IPINENC_key_identifier PRW_key_identifier OPIN_encryption_key_identifier OEPB_MAC_key_identifier
<b>DK PAN Modify in Transaction</b>	CSNBDPMT	CMAC_FUS_key_identifier IPIN_encryption_key_identifier PRW_key_identifier new_PRW_key_identifier
<b>DK PAN Translate</b>	CSNBDPPT	PRW_key_identifier IPIN_encryption_key_identifier IEPB_MAC_key_identifier OPIN_encryption_key_identifier OEPB_MAC_key_identifier
<b>DK PIN Change</b>	CSNBDPCC	PRW_MAC_key_identifier cur_IPIN_encryption_key_identifier new_IPIN_encryption_key_identifier script_key_identifier script_MAC_key_identifier new_PRW_MAC_key_identifier OPIN_encryption_key_identifier OEPB_MAC_key_identifier
<b>DK PIN Verify</b>	CSNBDPVV	PRW_MAC_key_identifier IPIN_encryption_key_identifier

Table 76. Callable services and parameters affected by key store policy (continued)

ICSF callable service	31-bit name	Parameter checked
<b>DK PRW Card Number Update</b>	CSNBDPNU	PRW_key_identifier IPIN_encryption_key_identifier IEPB_MAC_key_identifier OPIN_encryption_key_identifier OEPB_MAC_key_identifier
<b>DK PRW Card Number Update2</b>	CSNBDCU2	PRW_key_identifier IPIN_encryption_key_identifier IEPB_MAC_key_identifier OPIN_encryption_key_identifier OEPB_MAC_key_identifier OPIN_chip_encryption_key_identifier
<b>DK PRW CMAC Generate</b>	CSNBDCPG	CMAC_FUS_key_identifier
<b>DK Random PIN Generate</b>	CSNBDRPG	PRW_MAC_key_identifier PIN_print_key_identifier OPIN_encryption_key_identifier OEPB_MAC_key_identifier
<b>DK Random PIN Generate2</b>	CSNBDRG2	PRW_MAC_key_identifier PIN_print_key_identifier OPIN_encryption_key_identifier OEPB_MAC_key_identifier OPIN_chip_encryption_key_identifier
<b>DK Regenerate PRW</b>	CSNBDRP	PRW_key_identifier IPIN_encryption_key_identifier IEPB_MAC_key_identifier OPIN_encryption_key_identifier OEPB_MAC_key_identifier
<b>ECC Diffie-Hellman</b>	CSNDEDH	private_key_identifier private_KEK_key_identifier public_key_identifier output_KEK_key_identifier
<b>EMV Scripting Service</b>	CSNBESC	issuer_integrity_master_key_identifier issuer_confidentiality_master_key_identifier new_PIN_encrypting_key_identifier current_PIN_encrypting_key_identifier  <b>Note:</b> ICC master keys derived from issuer master keys are affected by key store policy before they are used to derive session keys.

Table 76. Callable services and parameters affected by key store policy (continued)

ICSF callable service	31-bit name	Parameter checked
<b>EMV Transaction Service</b>	CSNBEAC	issuer_master_key_identifier issuer_ARPC_master_key_identifier  <b>Note:</b> ICC master keys derived from issuer master keys are affected by key store policy before they are used to derive session keys.
<b>EMV Verification Functions</b>	CSNBEVF	key_identifier  <b>Note:</b> ICC master keys derived from issuer master keys are affected by key store policy before they are used to derive session keys.
<b>Encipher</b>	CSNBENC	key_identifier
<b>Encrypted PIN Generate</b>	CSNBEPG	PIN_generating_key_identifier outbound_PIN_encrypting_key_identifier
<b>Encrypted PIN Translate</b>	CSNBPTR	input_PIN_encrypting_key_identifier output_PIN_encrypting_key_identifier
<b>Encrypted PIN Translate2</b>	CSNBPTR2	input_PIN_encrypting_key_identifier output_PIN_encrypting_key_identifier authentication_key_identifier
<b>Encrypted PIN Translate Enhanced</b>	CSNBPTRE	input_PIN_key_identifier output_PIN_key_identifier PAN_key_identifier
<b>Encrypted PIN Verify</b>	CSNBPVR	input_PIN_encrypting_key_identifier PIN_verifying_key_identifier
<b>Field Level Decipher</b>	CSNBFLD	key_identifier when the parameter contains an encrypted key token.
<b>Field Level Encipher</b>	CSNBFLE	key_identifier when the parameter contains an encrypted key token.
<b>FPE Decipher</b>	CSNBFPEd	key_identifier
<b>FPE Encipher</b>	CSNBFPEE	key_identifier
<b>FPE Translate</b>	CSNBFPET	input_key_identifier output_key_identifier
<b>Generate Issuer MK</b>	CSNBGIM	transport_key_identifier
<b>HMAC Generate</b>	CSNBHMG	key_identifier
<b>HMAC Verify</b>	CSNBHMV	key_identifier
<b>Key Encryption Translate</b>	CSNBKET	KEK_key_identifier

Table 76. Callable services and parameters affected by key store policy (continued)

<b>ICSF callable service</b>	<b>31-bit name</b>	<b>Parameter checked</b>
<b>Key Export</b>	CSNBKEX	source_key_identifier exporter_key_identifier
<b>Key Generate</b>	CSNBKGN	KEK_key_identifier_1 KEK_key_identifier_2
<b>Key Import</b>	CSNBKIM	source_key_token importer_key_identifier
<b>Key Test</b>	CSNBKYT	key_identifier
<b>Key Test2</b>	CSNBKYT2	key_identifier
<b>Key Test Extended</b>	CSNBKYTX	key_identifier kek_key_identifier
<b>Key Translate</b>	CSNBKTR	input_KEK_key_identifier output_KEK_key_identifier
<b>Key Translate2</b>	CSNBKTR2	input_key_token input_KEK_identifier output_KEK_identifier
<b>MAC Generate</b>	CSNBMGN	key_identifier
<b>MAC Generate2</b>	CSNBMGN2	key_identifier
<b>MAC Generate2 (with ALET)</b>	CSNBMGN3	key_identifier
<b>MAC Verify</b>	CSNBMGN	key_identifier
<b>MAC Verify2</b>	CSNBMVR2	key_identifier
<b>MAC Verify2 (with ALET)</b>	CSNBMVR3	key_identifier
<b>Multiple Secure Key Import</b>	CSNBSKM	key_encrypting_key_identifier
<b>PIN Change/Unblock</b>	CSNBPCU	authentication_issuer_master_key_identifier encryption_issuer_master_key_identifier new_reference_PIN_key_identifier current_reference_PIN_key_identifier
<b>PKA Decrypt</b>	CSNDPKD	PKA_key_identifier
<b>PKA Encrypt</b>	CSNDPKE	PKA_key_identifier
<b>PKA Key Generate</b>	CSNDPKG	transport_key_identifier
<b>PKA Key Import</b>	CSNDPKI	importer_key_identifier

Table 76. Callable services and parameters affected by key store policy (continued)

<b>ICSF callable service</b>	<b>31-bit name</b>	<b>Parameter checked</b>
<b>PKA Key Translate</b>	CSNDPKT	source_key_identifier source_transport_key_identifier target_transport_key_identifier
<b>PKA Key Token Change</b>	CSNDPKTC	key_identifier
<b>PKA Public Key Extract</b>	CSNDPKX	source_key_identifier target_public_key_token
<b>Prohibit Export</b>	CSNBPEX	key_identifier
<b>Prohibit Export Extended</b>	CSNBPEXX	source_key_token kek_key_identifier
<b>Public Infrastructure Certificate</b>	CSNDPIC	subject_private_key_identifier
<b>Recover PIN From Offset</b>	CSNBPFO	PIN_encryption_key_identifier PIN_generation_key_identifier
<b>Remote Key Export</b>	CSNDRKX	trusted_block_identifier transport_key_identifier importer_key_identifier source_key_identifier
<b>Restrict Key Attribute</b>	CSNBRKA	key_identifier
<b>Secure Key Import</b>	CSNBSKI	importer_key_identifier key_identifier
<b>Secure Messaging for Keys</b>	CSNBSKY	input_key_identifier key_encrypting_key_identifier secmsg_key_identifier
<b>Secure Messaging for PINs</b>	CSNBSPN	PIN_encrypting_key_identifier secmsg_key_identifier
<b>SET Block Compose</b>	CSNDSBC	RSA_public_key_identifier DES_key_block RSA_OAEP_block
<b>SET Block Decompose</b>	CSNDSBD	RSA_private_key_identifier DES_key_block (one or two tokens)
<b>Symmetric Algorithm Decipher</b>	CSNBSAD	key_identifier
<b>Symmetric Algorithm Encipher</b>	CSNBSAE	key_identifier

<i>Table 76. Callable services and parameters affected by key store policy (continued)</i>		
<b>ICSF callable service</b>	<b>31-bit name</b>	<b>Parameter checked</b>
<b>Symmetric Key Export</b>	CSNDSYX	DATA_key_identifier RSA_public_key_identifier
<b>Symmetric Key Export with Data</b>	CSNDSXD	source_key_identifier RSA_public_key_identifier
<b>Symmetric Key Generate</b>	CSFSYG	key_encrypting_key_identifier RSA_public_key_identifier DES_enciphered_key_token
<b>Symmetric Key Import</b>	CSNDSYI	RSA_enciphered_key RSA_private_key_identifier
<b>Symmetric Key Import2</b>	CSNDSYI2	RSA_private_key_identifier
<b>Transaction Validation</b>	CSNBTRV	transaction_key_identifier
<b>Trusted Block Create</b>	CSNDTBC	input_block_identifier transport_key_identifier
<b>TR-31 Export</b>	CSNBT31X	source_key_identifier unwrap_kek_identifier wrap_kek_identifier
<b>TR-31 Import</b>	CSNBT31I	unwrap_kek_identifier wrap_kek_identifier
<b>TR-34 Bind-Begin</b>	CSNDT34B	private_key_identifier
<b>TR-34 Key Distribution</b>	CSNDT34D	source_key_identifier unwrap_kek_identifier private_key_identifier
<b>TR-34 Key Receive</b>	CSNDT34R	private_key_identifier
<b>Unique Key Derive</b>	CSNBUKD	base_derivation_key_identifier transport_key_identifier
<b>VISA CVV Service Generate</b>	CSNBCSG	CVV_key_A_Identifier CVV_key_B_Identifier
<b>VISA CVV Service Verify</b>	CSNBCSV	CVV_key_A_Identifier CVV_key_B_Identifier

The callable services that are affected by the no duplicates key store policy controls are listed in [Table 77](#) on page 510.

Table 77. Callable services that are affected by the no duplicates key store policy controls

ICSF callable service	31-bit name	Parameter checked
Key Part Import	CSNBKPI	key_identifier
Key Record Write	CSNBKRW	key_token
PKA Key Generate	CSNDPKG/CSNFPKG	generated_key_token
PKA Key Import	CSNDPKI/CSNFPKI	source_key_identifier
PKDS Key Record Read2	CSNDKRR2	token
PKDS Record Create	CSNDKRC/CSNFKRC	token
PKDS Record Read	CSNDKRR	token
PKDS Record Write	CSNDKRW	key_token
Trusted Block Create	CSNDTBC	input_block_identifier

## Summary of Key Store Policy (KSP) and Enhanced Keylabel Access Control interactions

For services that are passed a label, the key store policy will not affect the SAF check, so only Granular Keylabel Access Controls and CSNDSYX Access Controls will have an effect:

Table 78. Key Store Policy (KSP) and Enhanced Keylabel Access Control interactions (label)

	No CSNDSYX Access Controls for algorithm	CSNDSYX Access Controls for algorithm	No Granular Keylabel Access Controls	Granular Keylabel Access Controls
<b>CSNDSYX: DATA key identifier</b>	Label SAF check is done against CSFKEYS	Label SAF check is done against XCSFKEY	n/a	n/a
<b>CSNDSYX: RSA key identifier and all other services passed a label</b>	n/a	n/a	Label SAF check is done against CSFKEYS for READ access	Label SAF check is done against CSFKEYS for appropriate access

For services that are passed a token:

Table 79. Key Store Policy (KSP) and Enhanced Keylabel Access Control interactions (token)

	No KSP	KSP / No CSNDSYX Access Controls for algorithm	KSP / CSNDSYX Access Controls for algorithm	KSP / No Granular Keylabel Access Controls	KSP / Granular Keylabel Access Controls
<b>CSNDSYX: DATA key identifier</b>	No SAF check is done	KSP SAF checks are done against CSFKEYS	KSP SAF checks are done against XCSFKEY	n/a	n/a
<b>CSNDSYX: RSA key identifier and all other services passed a label</b>	No SAF check is done	n/a	n/a	KSP SAF checks are done against CSFKEYS	KSP SAF checks are done against CSFKEYS



**Note:** The levels used by Granular Keylabel Access Controls will also be applied to KSP checks (that is, if the CKDS labels matching a token were checked with UPDATE access, CSF-CKDS-DEFAULT will also be checked with UPDATE access)



## Appendix G. Callable services that trigger reference date processing

This table provides guidance for application programmers on parameters that will trigger reference date processing. For all parameters, reference date processing will only be triggered when a label (CKDS or PKDS) or object handle (TKDS) is provided. See the description of each parameter in its respective callable service for details.

Only the names of the 31-bit versions of the callable services are listed. However, 64-bit versions of the callable services and the ALET qualified versions of the services are also covered by reference date processing.

<i>Table 80. Callable services and parameters that trigger reference date processing</i>		
<b>ICSF callable service</b>	<b>31-bit name</b>	<b>Parameter checked</b>
<b>Authentication Parameter Generate</b>	CSNBAPG	inbound_PIN_encrypting_key_identifier AP_encrypting_key_identifier
<b>CKDS Key Record Read</b>	CSNBKRR	key_label
<b>CKDS Key Record Read2</b>	CSNBKRR2	key_label
<b>CVV Key Combine</b>	CSNBCKC	key_a_identifier key_b_identifier
<b>Ciphertext Translate2</b>	CSNBCTT2	key_identifier_in key_identifier_out
<b>Clear PIN Encrypt</b>	CSNBCPE	PIN_encrypting_key_identifier
<b>Clear PIN Generate</b>	CSNBPGN	PIN_generating_key_identifier
<b>Clear PIN Generate Alternate</b>	CSNBCPA	PIN_encryption_key_identifier PIN_generation_key_identifier
<b>Control Vector Translate</b>	CSNBCVT	KEK_key_identifier array_key_left array_key_right
<b>Cryptographic Variable Encipher</b>	CSNBCVE	c_variable_encrypting_key_identifier
<b>Data Key Export</b>	CSNBKX	source_key_identifier exporter_key_identifier
<b>Data Key Import</b>	CSNBKIM	importer_key_identifier
<b>Decipher</b>	CSNBDEC	key_identifier
<b>Derive ICC MK</b>	CSNBDCM	issuer_master_key_identifier transport_key_identifier

Table 80. Callable services and parameters that trigger reference date processing (continued)

<b>ICSF callable service</b>	<b>31-bit name</b>	<b>Parameter checked</b>
<b>Derive Session Key</b>	CSNBDSK	master_key_identifier
<b>Digital Signature Generate</b>	CSNDDSG	private_key_identifier
<b>Digital Signature Verify</b>	CSNDDSV	PKA_public_key_identifier
<b>Diversified Key Generate</b>	CSNBDBG	generating_key_identifier key_identifier
<b>Diversified Key Generate2</b>	CSNBDBG2	generating_key_identifier
<b>Diversify Directed Key</b>	CSNBDDK	generating_key_identifier
<b>DK Deterministic PIN Generate</b>	CSNBDDPG	PIN_generation_key_identifier PRW_key_identifier PIN_print_key_identifier OPIN_encryption_key_identifier OEPB_MAC_key_identifier
<b>DK Migrate PIN</b>	CSNBDMPP	IPIN_encryption_key_identifier PRW_key_identifier OPIN_encryption_key_identifier OEPB_MAC_key_identifier
<b>DK PAN Modify in Transaction</b>	CSNBDPMT	CMAC_FUS_key_identifier IPIN_encryption_key_identifier PRW_key_identifier new_PRW_key_identifier
<b>DK PAN Translate</b>	CSNBDPPT	PRW_key_identifier IPIN_encryption_key_identifier IEPB_MAC_key_identifier OPIN_encryption_key_identifier OEPB_MAC_key_identifier
<b>DK PIN Change</b>	CSNBDPCC	PRW_key_identifier cur_IPIN_encryption_key_identifier new_IPIN_encryption_key_identifier script_key_identifier script_MAC_key_identifier new_PRW_key_identifier OPIN_encryption_key_identifier OEPB_MAC_key_identifier
<b>DK PIN Verify</b>	CSNBDPVV	PRW_key_identifier IPIN_encryption_key_identifier
<b>DK PRW CMAC Generate</b>	CSNBDPCCG	CMAC_FUS_key_identifier

Table 80. Callable services and parameters that trigger reference date processing (continued)

<b>ICSF callable service</b>	<b>31-bit name</b>	<b>Parameter checked</b>
<b>DK PRW Card Number Update</b>	CSNBDPNU	PRW_key_identifier IPIN_encryption_key_identifier IEPB_MAC_key_identifier OPIN_encryption_key_identifier OEPB_MAC_key_identifier
<b>DK PRW Card Number Update2</b>	CSNBDCU2	PRW_key_identifier IPIN_encryption_key_identifier IEPB_MAC_key_identifier OPIN_encryption_key_identifier OEPB_MAC_key_identifier OPIN_chip_encryption_key_identifier
<b>DK Random PIN Generate</b>	CSNBDRPG	PRW_key_identifier PIN_print_key_identifier OPIN_encryption_key_identifier OEPB_MAC_key_identifier
<b>DK Random PIN Generate2</b>	CSNBDRG2	PRW_MAC_key_identifier PIN_print_key_identifier OPIN_encryption_key_identifier OEPB_MAC_key_identifier OPIN_chip_encryption_key_identifier
<b>DK Regenerate PRW</b>	CSNBDRP	PRW_key_identifier IPIN_encryption_key_identifier IEPB_MAC_key_identifier OPIN_encryption_key_identifier OEPB_MAC_key_identifier
<b>ECC Diffie-Hellman</b>	CSNDEDH	private_key_identifier private_KEK_key_identifier public_key_identifier output_KEK_key_identifier
<b>EMV Scripting Service</b>	CSNBESC	issuer_integrity_master_key_identifier issuer_confidentiality_master_key_identifier new_PIN_encrypting_key_identifier current_PIN_encrypting_key_identifier
<b>EMV Transaction (ARQC/ARPC) Service</b>	CSNBEAC	issuer_master_key_identifier issuer_ARPC_master_key_identifier
<b>EMV Verification Functions</b>	CSNBEVF	key_identifier
<b>Encipher</b>	CSNBENC	key_identifier
<b>Encrypted PIN Generate</b>	CSNBEPG	PIN_generating_key_identifier outbound_PIN_encrypting_key_identifier

Table 80. Callable services and parameters that trigger reference date processing (continued)

<b>ICSF callable service</b>	<b>31-bit name</b>	<b>Parameter checked</b>
<b>Encrypted PIN Translate</b>	CSNBPTR	input_PIN_encrypting_key_identifier output_PIN_encrypting_key_identifier
<b>Encrypted PIN Translate2</b>	CSNBPTR2	input_PIN_encrypting_key_identifier output_PIN_encrypting_key_identifier authentication_key_identifier
<b>Encrypted PIN Verify</b>	CSNBPVR	input_PIN_encrypting_key_identifier PIN_verifying_key_identifier
<b>FPE Decipher</b>	CSNBFPED	key_identifier
<b>FPE Encipher</b>	CSNBFPEE	key_identifier
<b>FPE Translate</b>	CSNBFPET	input_key_identifier output_key_identifier
<b>Field Level Decipher</b>	CSNBFLD	key_identifier
<b>Field Level Encipher</b>	CSNBFLE	key_identifier
<b>Generate Issuer MK</b>	CSNBGIM	transport_key_identifier
<b>HMAC Generate</b>	CSNBHMG	key_identifier
<b>HMAC Verify</b>	CSNBHMV	key_identifier
<b>Key Data Set Metadata Write</b>	CSFKDMW	label_list (only when "Last reference date" is being altered)
<b>Key Export</b>	CSNBKEX	source_key_identifier exporter_key_identifier
<b>Key Generate</b>	CSNBKGN	KEK_key_identifier_1 KEK_key_identifier_2
<b>Key Generate2</b>	CSNBKGN2	key_encrypting_key_identifier_1 key_encrypting_key_identifier_2
<b>Key Import</b>	CSNBKIM	importer_key_identifier
<b>Key Test Extended</b>	CSNBKYTX	KEK_key_identifier
<b>Key Test2</b>	CSNBKYT2	key_encrypting_key_identifier
<b>Key Translate</b>	CSNBKTR	input_KEK_key_identifier output_KEK_key_identifier
<b>Key Translate2</b>	CSNBKTR2	input_KEK_identifier output_KEK_identifier
<b>MAC Generate</b>	CSNBMGN	key_identifier
<b>MAC Generate2</b>	CSNBMGN2	key_identifier

Table 80. Callable services and parameters that trigger reference date processing (continued)

<b>ICSF callable service</b>	<b>31-bit name</b>	<b>Parameter checked</b>
<b>MAC Verify</b>	CSNBMVR	key_identifier
<b>MAC Verify2</b>	CSNBMVR2	key_identifier
<b>Multiple Secure Key Import</b>	CSNBSKM	key_encrypting_key_identifier
<b>PIN Change/Unblock</b>	CSNBPCU	authentication_issuer_master_key_identifier encryption_issuer_master_key_identifier new_reference_PIN_key_identifier current_reference_PIN_key_identifier
<b>PKA Decrypt</b>	CSNDPKD	key_identifier
<b>PKA Encrypt</b>	CSNDPKE	keyvalue PKA_key_identifier
<b>PKA Key Generate</b>	CSNDPKG	skeleton_key_identifier transport_key_identifier
<b>PKA Key Import</b>	CSNDPKI	source_key_identifier importer_key_identifier
<b>PKA Key Translate</b>	CSNDPKT	source_key_identifier source_transport_key_identifier target_transport_key_identifier
<b>PKA Public Key Extract</b>	CSNDPKX	source_key_identifier
<b>PKCS #11 Derive Key</b>	CSFPDVK	base_key_handle parms_list (Key handle of additional key)
<b>PKCS #11 Derive Multiple Keys</b>	CSFPDMK	base_key_handle parms_list (Key handle of additional key)
<b>PKCS #11 Generate Keyed MAC</b>	CSFPHMG	key_handle
<b>PKCS #11 Get Attribute Value</b>	CSFPGAV	handle
<b>PKCS #11 Private Key Sign</b>	CSFPPKS	key_handle
<b>PKCS #11 Pseudo-Random Function</b>	CSFPPRF	handle
<b>PKCS #11 Public Key Verify</b>	CSFPPKV	key_handle
<b>PKCS #11 Token Record Create</b>	CSFPTRC	handle

Table 80. Callable services and parameters that trigger reference date processing (continued)

<b>ICSF callable service</b>	<b>31-bit name</b>	<b>Parameter checked</b>
<b>PKCS #11 Unwrap Key</b>	CSFPUWK	unwrapping_key_handle initialization_vector
<b>PKCS #11 Verify Keyed MAC</b>	CSFPHMV	key_handle
<b>PKCS #11 Wrap Key</b>	CSFPWPK	source_key_handle wrapping_key_handle initialization_vector
<b>PKCS #11 Secret Key Decrypt</b>	CSFPSKD	key_handle
<b>PKCS #11 Secret Key Encrypt</b>	CSFPSKE	key_handle
<b>PKDS Key Record Read</b>	CSNDKRR	label
<b>PKDS Key Record Read2</b>	CSNDKRR2	label
<b>Prohibit Export Extended</b>	CSNBPEXX	KEK_key_identifier
<b>Public Infrastructure Certificate</b>	CSNDPIC	subject_private_key_identifier
<b>Recover PIN From Offset</b>	CSNBPFO	PIN_encryption_key_identifier PIN_generation_key_identifier
<b>Remote Key Export</b>	CSNDRKX	trusted_block_identifier transport_key_identifier importer_key_identifier source_key_identifier
<b>Restrict Key Attribute</b>	CSNBRKA	key_encrypting_key_identifier
<b>Secure Key Import</b>	CSNBSKI	importer_key_identifier
<b>Secure Key Import2</b>	CSNBSKI2	key_encrypting_key_identifier
<b>Secure Messaging for Keys</b>	CSNBSKY	input_key_identifier key_encrypting_key_identifier secmsg_key_identifier
<b>Secure Messaging for PINs</b>	CSNBSPN	PIN_encrypting_key_identifier secmsg_key_identifier
<b>SET Block Compose</b>	CSNDSBC	RSA_public_key_identifier
<b>SET Block Decompose</b>	CSNDSBD	RSA_private_key_identifier DES_key_block (second 64 bytes)



Table 80. Callable services and parameters that trigger reference date processing (continued)

<b>ICSF callable service</b>	<b>31-bit name</b>	<b>Parameter checked</b>
<b>Symmetric Algorithm Decipher</b>	CSNBSAD	key_identifier
<b>Symmetric Algorithm Encipher</b>	CSNBSAE	key_identifier
<b>Symmetric Key Decipher</b>	CSNBSYD	key_identifier
<b>Symmetric Key Encipher</b>	CSNBSYE	key_identifier
<b>Symmetric Key Export</b>	CSNDSYX	source_key_identifier transporter_key_identifier
<b>Symmetric Key Export with Data</b>	CSNDSXD	source_key_identifier RSA_public_key_identifier
<b>Symmetric Key Generate</b>	CSNDSYG	key_encrypting_key_identifier RSA_public_key_identifier
<b>Symmetric Key Import</b>	CSNDSYI	RSA_private_key_identifier
<b>Symmetric Key Import2</b>	CSNDSYI2	transport_key_identifier
<b>Symmetric MAC Generate</b>	CSNBSMG	key_identifier
<b>Symmetric MAC Verify</b>	CSNBSMV	key_identifier
<b>Transaction Validation</b>	CSNBTRV	transaction_key_identifier
<b>Trusted Block Create</b>	CSNDTBC	input_block_identifier transport_key_identifier
<b>TR-31 Export</b>	CSNBT31X	source_key_identifier unwrap_kek_identifier wrap_kek_identifier
<b>TR-31 Import</b>	CSNBT31I	unwrap_kek_identifier wrap_kek_identifier
<b>TR-34 Bind-Begin</b>	CSNDT34B	private_key_identifier
<b>TR-34 Key Distribution</b>	CSNDT34D	source_key_identifier unwrap_kek_identifier private_key_identifier
<b>TR-34 Key Receive</b>	CSNDT34R	private_key_identifier
<b>Unique Key Derive</b>	CSNBUKD	base_derivation_key_identifier transport_key_identifier

Table 80. Callable services and parameters that trigger reference date processing (continued)

<b>ICSF callable service</b>	<b>31-bit name</b>	<b>Parameter checked</b>
<b>VISA CVV Service Generate</b>	CSNBCSG	CVV_key_A_Identifier CVV_key_B_Identifier
<b>VISA CVV Service Verify</b>	CSNBCSV	CVV_key_A_Identifier CVV_key_B_Identifier

## Appendix H. Questionable (Weak) Keys

If any of the eight-byte parts of the new master-key compares equal to one of the weak DES-keys, the service fails.

These are considered questionable DES keys:

```
01 01 01 01 01 01 01 01 / weak /
FE FE FE FE FE FE FE FE / weak /
1F 1F 1F 1F 0E 0E 0E 0E / weak /
E0 E0 E0 E0 F1 F1 F1 F1 / weak /
01 FE 01 FE 01 FE 01 FE /semi-weak /
FE 01 FE 01 FE 01 FE 01 /semi-weak /
1F E0 1F E0 0E F1 0E F1 /semi-weak /
E0 1F E0 1F F1 0E F1 0E /semi-weak /
01 E0 01 E0 01 F1 01 F1 /semi-weak /
E0 01 E0 01 F1 01 F1 01 /semi-weak /
1F FE 1F FE 0E FE 0E FE /semi-weak /
FE 1F FE 1F FE 0E FE 0E /semi-weak /
01 1F 01 1F 01 0E 01 0E /semi-weak /
1F 01 1F 01 0E 01 0E 01 /semi-weak /
E0 FE E0 FE F1 FE F1 FE /semi-weak /
FE E0 FE E0 FE F1 FE F1 /semi-weak /
1F 1F 01 01 0E 0E 01 01 /possibly semi-weak /
01 1F 1F 01 01 0E 0E 01 /possibly semi-weak /
1F 01 01 1F 0E 01 01 0E /possibly semi-weak /
01 01 1F 1F 01 01 0E 0E /possibly semi-weak /
E0 E0 01 01 F1 F1 01 01 /possibly semi-weak /
FE FE 01 01 FE FE 01 01 /possibly semi-weak /
FE E0 1F 01 FE F1 0E 01 /possibly semi-weak /
E0 FE 1F 01 F1 FE 0E 01 /possibly semi-weak /
FE E0 01 1F FE F1 01 0E /possibly semi-weak /
E0 FE 01 1F F1 FE 01 0E /possibly semi-weak /
E0 E0 1F 1F F1 F1 0E 0E /possibly semi-weak /
FE FE 1F 1F FE FE 0E 0E /possibly semi-weak /
FE 1F E0 01 FE 0E F1 01 /possibly semi-weak /
E0 1F FE 01 F1 0E FE 01 /possibly semi-weak /
FE 01 E0 1F FE 01 F1 0E /possibly semi-weak /
E0 01 FE 1F F1 01 FE 0E /possibly semi-weak /
01 E0 E0 01 01 F1 F1 01 /possibly semi-weak /
1F FE E0 01 0E FE F1 01 /possibly semi-weak /
1F E0 FE 01 0E F1 FE 01 /possibly semi-weak /
01 FE FE 01 01 FE FE 01 /possibly semi-weak /
1F E0 E0 1F 0E F1 F1 0E /possibly semi-weak /
01 FE E0 1F 01 FE F1 0E /possibly semi-weak /
01 E0 FE 1F 01 F1 FE 0E /possibly semi-weak /
1F FE FE 1F 0E FE FE 0E /possibly semi-weak /
E0 01 01 E0 F1 01 01 F1 /possibly semi-weak /
FE 1F 01 E0 FE 0E 10 F1 /possibly semi-weak /
FE 01 1F E0 FE 01 0E F1 /possibly semi-weak /
E0 1F 1F E0 F1 0E 0E F1 /possibly semi-weak /
FE 01 01 FE FE 01 01 FE /possibly semi-weak /
E0 1F 01 FE F1 0E 01 FE /possibly semi-weak /
E0 01 1F FE F1 01 0E FE /possibly semi-weak /
FE 1F 1F FE FE 0E 0E FE /possibly semi-weak /
1F FE 01 E0 E0 FE 01 F1 /possibly semi-weak /
01 FE 1F E0 01 FE 0E F1 /possibly semi-weak /
1F E0 01 FE 0E F1 01 FE /possibly semi-weak /
01 E0 1F FE 01 F1 0E FE /possibly semi-weak /
01 01 E0 E0 01 01 F1 F1 /possibly semi-weak /
1F 1F E0 E0 0E 0E F1 F1 /possibly semi-weak /
1F 01 FE E0 0E 01 FE F1 /possibly semi-weak /
01 1F FE E0 01 0E FE F1 /possibly semi-weak /
1F 01 E0 FE 0E 01 F1 FE /possibly semi-weak /
01 1F E0 FE 01 E0 F1 FE /possibly semi-weak /
01 01 FE FE 01 01 FE FE /possibly semi-weak /
1F 1F FE FE 0E 0E FE FE /possibly semi-weak /
FE FE E0 E0 FE FE F1 F1 /possibly semi-weak /
E0 FE FE E0 F1 FE FE F1 /possibly semi-weak /
FE E0 E0 FE FE F1 F1 FE /possibly semi-weak /
E0 E0 FE FE F1 F1 FE FE /possibly semi-weak /
```



## Appendix I. Resource names for CCA and ICSF entry points

Table 81. Resource names for CCA and ICSF entry points

Descriptive service name	CCA entry point names		ICSF entry point names		SAF resource name	Callable service exit name
	31-bit	64-bit	31-bit	64-bit		
Authentication Parameter Generate	CSNBAPG	CSNEAPG	CSFAPG	CSFAPG6	CSFAPG	CSFAPG
Cipher Text Translate2	CSNBCTT2	CSNECTT2	CSFCTT2	CSFCTT26	CSFCTT2	CSFCTT2
Cipher Text Translate2	CSNBCTT3	CSNECTT3	CSFCTT3	CSFCTT36	CSFCTT3	CSFCTT3
CKDS Key Record Create	CSNBKRC	CSNEKRC	CSFKRC	CSFKRC6	CSFKRC	CSFKRC
CKDS Key Record Create2	CSNBKRC2	CSNEKRC2	CSFKRC2	CSFKRC26	CSFKRC2	CSFKRC2
CKDS Key Record Delete	CSNBKRD	CSNEKRD	CSFKRD	CSFKRD6	CSFKRD	CSFKRD
CKDS Key Record Read	CSNBKRR	CSNEKRR	CSFKRR	CSFKRR6	CSFKRR	CSFKRR
CKDS Key Record Read2	CSNBKRR2	CSNEKRR2	CSFKRR2	CSFKRR26	CSFKRR2	CSFKRR2
CKDS Key Record Write	CSNBKRW	CSNEKRW	CSFKRW	CSFKRW6	CSFKRW	CSFKRW
CKDS Key Record Write2	CSNBKRW2	CSNEKRW2	CSFKRW2	CSFKRW26	CSFKRW2	CSFKRW2
Clear Key Import	CSNBCKI	CSNECKI	CSFCKI	CSFCKI6	CSFCKI	CSFCKI
Clear PIN Encrypt	CSNBCPE	CSNECPE	CSFCPE	CSFCPE6	CSFCPE	CSFCPE
Clear PIN Generate	CSNBPGN	CSNEPGN	CSFPGN	CSFPGN6	CSFPGN	CSFPGN
Clear PIN Generate Alternate	CSNBCPA	CSNECPA	CSFCPA	CSFCPA6	CSFCPA	CSFCPA
Control Vector Generate	CSNBCVG	CSNECVG	CSFCVG	CSFCVG6	N/A	N/A
Control Vector Translate	CSNBCVT	CSNECVT	CSFCVT	CSFCVT6	CSFCVT	CSFCVT
Coordinated KDS Administration	N/A	N/A	CSFCRC	CSFCRC6	CSFCRC	N/A
Cryptographic Usage Statistic	N/A	N/A	CSFSTAT	CSFSTAT6	N/A	N/A
Cryptographic Variable Encipher	CSNBCVE	CSNECVE	CSFCVE	CSFCVE6	CSFCVE	CSFCVE

Table 81. Resource names for CCA and ICSF entry points (continued)

Descriptive service name	CCA entry point names		ICSF entry point names		SAF resource name	Callable service exit name
CVV Key Combine	CSNBCKC	CSNECKC	CSFCKC	CSFCKC6	CSFCKC	CSFCKC
Data Key Export	CSNBCKX	CSNEDKX	CSFDKX	CSFDKX6	CSFDKX	CSFDKX
Data Key Import	CSNBCKM	CSNEDKM	CSFDKM	CSFDKM6	CSFDKM	CSFDKM
Decipher	CSNBDEC	CSNEDEC	CSFDEC	CSFDEC6	CSFDEC	CSFDEC
Decipher	CSNBDEC1	CSNEDEC1	CSFDEC1	CSFDEC16	CSFDEC1	CSFDEC1
Decode	CSNBDCO	CSNEDCO	CSFDCO	CSFDCO6	CSFDCO	CSFDCO
Derive ICC MK	CSNBDCM	CSNEDCM	CSFDCM	CSFDCM6	CSFDCM	CSFDCM
Derive Session Key	CSNBDSK	CSNEDSK	CSFDSK	CSFDSK6	CSFDSK	CSFDSK
Digital Signature Generate	CSNDDSG	CSNFDSG	CSFDSG	CSFDSG6	CSFDSG	CSFDSG
Digital Signature Verify	CSNDDSV	CSNFDSV	CSFDSV	CSFDSV6	CSFDSV	CSFDSV
Diversified Key Generate	CSNBCKG	CSNEDKG	CSFDKG	CSFDKG6	CSFDKG	CSFDKG
Diversified Key Generate2	CSNBCKG2	CSNEDKG2	CSFDKG2	CSFDKG26	CSFDKG2	CSFDKG2
Diversify Directed Key	CSNBDDK	CSNEDDK	CSFDDK	CSFDDK6	CSFDDK	CSFDDK
DK Deterministic PIN Generate	CSNBDDPG	CSNEDDPG	CSFDDPG	CSFDDPG6	CSFDDPG	CSFDDPG
DK Migrate PIN	CSNBDMP	CSNEDMP	CSFDMP	CSFDMP6	CSFDMP	CSFDMP
DK PAN Modify in Transaction	CSNBDMPT	CSNEDPMT	CSFDPMPT	CSFDPMPT6	CSFDPMPT	CSFDPMPT
DK PAN Translate	CSNBDMPT	CSNEDPMT	CSFDPMPT	CSFDPMPT6	CSFDPMPT	CSFDPMPT
DK PAN Translate	CSNBDMPT	CSNEDPMT	CSFDPMPT	CSFDPMPT6	CSFDPMPT	CSFDPMPT
DK PIN Change	CSNBDMPT	CSNEDPMT	CSFDPMPT	CSFDPMPT6	CSFDPMPT	CSFDPMPT
DK PIN Verify	CSNBDMPT	CSNEDPMT	CSFDPMPT	CSFDPMPT6	CSFDPMPT	CSFDPMPT
DK PRW Card Number Update	CSNBDMPT	CSNEDPMT	CSFDPMPT	CSFDPMPT6	CSFDPMPT	CSFDPMPT
DK PRW Card Number Update2	CSNBDMPT	CSNEDPMT	CSFDPMPT	CSFDPMPT6	CSFDPMPT	CSFDPMPT
DK PRW CMAC Generate	CSNBDMPT	CSNEDPMT	CSFDPMPT	CSFDPMPT6	CSFDPMPT	CSFDPMPT
DK Random PIN Generate	CSNBDMPT	CSNEDPMT	CSFDPMPT	CSFDPMPT6	CSFDPMPT	CSFDPMPT
DK Random PIN Generate2	CSNBDMPT	CSNEDPMT	CSFDPMPT	CSFDPMPT6	CSFDPMPT	CSFDPMPT
DK Regenerate PRW	CSNBDMPT	CSNEDPMT	CSFDPMPT	CSFDPMPT6	CSFDPMPT	CSFDPMPT
ECC Diffie-Hellman	CSNBDMPT	CSNEDPMT	CSFDPMPT	CSFDPMPT6	CSFDPMPT	CSFDPMPT

Table 81. Resource names for CCA and ICSF entry points (continued)

Descriptive service name	CCA entry point names		ICSF entry point names		SAF resource name	Callable service exit name
EMV Scripting Service	CSNBESC	CSNEESC	CSFESC	CSFESC6	CSFESC	CSFESC
EMV Transaction (ARQC/ARPC) Service	CSNBEAC	CSNEEAC	CSFEAC	CSFEAC6	CSFEAC	CSFEAC
EMV Verification Functions	CSNBEVF	CSNEEVF	CSFEVF	CSFEVF6	CSFEVF	CSFEVF
Encipher	CSNBENC	CSNEENC	CSFENC	CSFENC6	CSFENC	CSFENC
Encipher	CSNBENC1	CSNEENC1	CSFENC1	CSFENC16	CSFENC1	CSFENC1
Encode	CSNBECO	CSNEECO	CSFECO	CSFECO6	CSFECO	CSFECO
Encrypted PIN Generate	CSNBEPG	CSNEEPG	CSFEPG	CSFEPG6	CSFEPG	CSFEPG
Encrypted PIN Translate	CSNBPTR	CSNEPTR	CSFPTR	CSFPTR6	CSFPTR	CSFPTR
Encrypted PIN Translate2	CSNBPTR2	CSNEPTR2	CSFPTR2	CSFPTR26	CSFPTR2	CSFPTR2
Encrypted PIN Translate Enhanced	CSNBPTRE	CSNEPTRE	CSFPTR	CSFPTR6	CSFPTR	CSFPTR
Encrypted PIN Verify	CSNBPVR	CSNEPVR	CSFPVR	CSFPVR6	CSFPVR	CSFPVR
Field Level Decipher	CSNBFLD	CSNEFLD	CSFFLD	CSFFLD6	N/A	N/A
Field Level Encipher	CSNBFLD	CSNEFLD	CSFFLD	CSFFLD6	N/A	N/A
FPE Decipher	CSNBFPE	CSNEFPE	CSFFPE	CSFFPE6	CSFFPE	CSFFPE
FPE Encipher	CSNBFPEE	CSNEFPEE	CSFFPEE	CSFFPEE6	CSFFPEE	CSFFPEE
FPE Translate	CSNBFPET	CSNEFPET	CSFFPET	CSFFPET6	CSFFPET	CSFFPET
Generate Issuer MK	CSNBGIM	CSNEGIM	CSFGIM	CSFGIM6	CSFGIM	CSFGIM
HMAC Generate	CSNBHMG	CSNEHMG	CSFHMG	CSFHMG6	CSFHMG	CSFHMG
HMAC Generate	CSNBHMG1	CSNEHMG1	CSFHMG1	CSFHMG16	CSFHMG1	CSFHMG1
HMAC Verify	CSNBHMV	CSNEHMV	CSFHMV	CSFHMV6	CSFHMV	CSFHMV
HMAC Verify	CSNBHMV1	CSNEHMV1	CSFHMV1	CSFHMV16	CSFHMV1	CSFHMV1
ICSF Multi-Purpose Service	N/A	N/A	CSFMPS	CSFMPS6	CSFMPS	CSFMPS
ICSF Query Algorithm	N/A	N/A	CSFIQA	CSFIQA6	CSFIQA	N/A
ICSF Query Facility	N/A	N/A	CSFIQF	CSFIQF6	CSFIQF	N/A
ICSF Query Facility2	N/A	N/A	CSFIQF2	CSFIQF26	N/A	CSFIQF2
Key Data Set List	N/A	N/A	CSFKDSL	CSFKDSL6	CSFKDSL	CSFKDSL
Key Data Set Metadata Read	N/A	N/A	CSFKDMR	CSFKDMR6	CSFKDMR	CSFKDMR

Table 81. Resource names for CCA and ICSF entry points (continued)

Descriptive service name	CCA entry point names		ICSF entry point names		SAF resource name	Callable service exit name
Key Data Set Metadata Write	N/A	N/A	CSFKDMW	CSFKDMW6	CSFKDMW	CSFKDMW
Key Data Set Record Retrieve	N/A	N/A	CSFRRT	CSFRRT6	CSFRRT (see notes)	N/A
Key Data Set Update	N/A	N/A	CSFKDU	CSFKDU6	CSFKDU (see notes)	N/A
Key Encryption Translate	CSNBKET	CSNEKET	CSFKET	CSFKET6	CSFKET	CSFKET
Key Export	CSNBKEX	CSNEKEX	CSFKEX	CSFKEX6	CSFKEX	CSFKEX
Key Generate	CSNBKGN	CSNEKGN	CSFKGN	CSFKGN6	CSFKGN	CSFKGN
Key Generate2	CSNBKGN2	CSNEKGN2	CSFKGN2	CSFKGN26	CSFKGN2	CSFKGN2
Key Import	CSNBKIM	CSNEKIM	CSFKIM	CSFKIM6	CSFKIM	CSFKIM
Key Part Import	CSNBKPI	CSNEKPI	CSFKPI	CSFKPI6	CSFKPI	CSFKPI
Key Part Import2	CSNBKPI2	CSNEKPI2	CSFKPI2	CSFKPI26	CSFKPI2	CSFKPI2
Key Test	CSNBKYT	CSNEKYT	CSFKYT	CSFKYT6	CSFKYT	CSFKYT
Key Test2	CSNBKYT2	CSNEKYT2	CSFKYT2	CSFKYT26	CSFKYT2	CSFKYT2
Key Test Extended	CSNBKYTX	CSNEKYTX	CSFKYTX	CSFKYTX6	CSFKYTX	CSFKYTX
Key Token Build	CSNBKTB	CSNEKTB	CSFKTB	CSFKTB6	N/A	N/A
Key Token Build2	CSNBKTB2	CSNEKTB2	CSFKTB2	CSFKTB26	N/A	N/A
Key Token Wrap	N/A	N/A	CSFWRP	CSFWRP6	CSFWRP	N/A
Key Translate	CSNBKTR	CSNEKTR	CSFKTR	CSFKTR6	CSFKTR	CSFKTR
Key Translate2	CSNBKTR2	CSNEKTR2	CSFKTR2	CSFKTR26	CSFKTR2	CSFKTR2
MAC Generate	CSNBMGN	CSNEMGN	CSFMGN	CSFMGN6	CSFMGN	CSFMGN
MAC Generate	CSNBMGN1	CSNEMGN1	CSFMGN1	CSFMGN16	CSFMGN1	CSFMGN1
MAC Generate2	CSNBMGN2	CSNEMGN2	CSFMGN2	CSFMGN26	CSFMGN2	CSFMGN2
MAC Generate2	CSNBMGN3	CSNEMGN3	CSFMGN3	CSFMGN36	CSFMGN3	CSFMGN3
MAC Verify	CSNBMVR	CSNEMVR	CSFMVR	CSFMVR6	CSFMVR	CSFMVR
MAC Verify	CSNBMVR1	CSNEMVR1	CSFMVR1	CSFMVR16	CSFMVR1	CSFMVR1
MAC Verify2	CSNBMVR2	CSNEMVR2	CSFMVR2	CSFMVR26	CSFMVR2	CSFMVR2
MAC Verify2	CSNBMVR3	CSNEMVR3	CSFMVR3	CSFMVR36	CSFMVR3	CSFMVR3
MDC Generate	CSNBMDG	CSNEMDG	CSFMDG	CSFMDG6	CSFMDG	CSFMDG
MDC Generate	CSNBMDG1	CSNEMDG1	CSFMDG1	CSFMDG16	CSFMDG1	CSFMDG1
Multiple Clear Key Import	CSNBCKM	CSNECKM	CSFCKM	CSFCKM6	CSFCKM	CSFCKM



Table 81. Resource names for CCA and ICSF entry points (continued)

Descriptive service name	CCA entry point names		ICSF entry point names		SAF resource name	Callable service exit name
Multiple Secure Key Import	CSNBSKM	CSNESKM	CSFSKM	CSFSKM6	CSFSKM	CSFSKM
One-Way Hash Generate	CSNBOWH	CSNEOWH	CSFOWH	CSFOWH6	CSFOWH	CSFOWH
One-Way Hash Generate	CSNBOWH1	CSNEOWH1	CSFOWH1	CSFOWH16	CSFOWH1	CSFOWH1
PCI Interface	N/A	N/A	CSFPCI	CSFPCI6	CSFPCI	CSFPCI
PIN Change/Unblock	CSNBPCU	CSNEPCU	CSFPCU	CSFPCU6	CSFPCU	CSFPCU
PKA Decrypt	CSNDPKD	CSNFPKD	CSFPKD	CSFPKD6	CSFPKD	CSFPKD
PKA Encrypt	CSNDPKE	CSNFPKE	CSFPKE	CSFPKE6	CSFPKE	CSFPKE
PKA Key Generate	CSNDPKG	CSNFPKG	CSFPKG	CSFPKG6	CSFPKG	CSFPKG
PKA Key Import	CSNDPKI	CSNFPKI	CSFPKI	CSFPKI6	CSFPKI	CSFPKI
PKA Key Token Build	CSNDPKB	CSNFPKB	CSFPKB	CSFPKB6	N/A	N/A
PKA Key Token Change	CSNDKTC	CSNFKTC	CSFPKTC	CSFPKTC6	CSFPKTC	CSFPKTC
PKA Key Translate	CSNDPKT	CSNFPKT	CSFPKT	CSFPKT6	CSFPKT	CSFPKT
PKA Public Key Extract	CSNDPKX	CSNFPKX	CSFPKX	CSFPKX6	CSFPKX	CSFPKX
PKCS #11 Derive Key	N/A	N/A	CSFPDVK	CSFPDVK6	CSF1DVK <sup>1</sup>	N/A
PKCS #11 Derive Multiple Keys	N/A	N/A	CSFPDMK	CSFPDMK6	CSF1DMK <sup>1</sup>	N/A
PKCS #11 Generate Keyed MAC	N/A	N/A	CSFPHMG	CSFPHMG6	CSF1HMG <sup>1</sup>	N/A
PKCS #11 Generate Key Pair	N/A	N/A	CSFPGKP	CSFPGKP6	CSF1GKP <sup>1</sup>	N/A
PKCS #11 Generate Secret Key	N/A	N/A	CSFPGSK	CSFPGSK6	CSF1GSK <sup>1</sup>	N/A
PKCS #11 Get Attribute Value	N/A	N/A	CSFPGAV	CSFPGAV6	CSF1GAV <sup>1</sup>	N/A
PKCS #11 One-Way Hash, Sign, or Verify	N/A	N/A	CSFPOWH	CSFPOWH6	CSFOWH	N/A
PKCS #11 Private Key Sign	N/A	N/A	CSFPPKS	CSFPPKS6	CSF1PKS <sup>1</sup>	N/A
PKCS #11 Private Key Structure Decrypt	N/A	N/A	CSFPPD2	CSFPPD26	CSFPKD	N/A
PKCS #11 Private Key Structure Sign	N/A	N/A	CSFPPS2	CSFPPS26	CSFDSG	N/A

Table 81. Resource names for CCA and ICSF entry points (continued)

Descriptive service name	CCA entry point names		ICSF entry point names		SAF resource name	Callable service exit name
PKCS #11 Pseudo-Random Function	N/A	N/A	CSFPPRF	CSFPPRF6	CSFRNG	N/A
PKCS #11 Public Key Structure Encrypt	N/A	N/A	CSFPPE2	CSFPPE26	CSFPKE	N/A
PKCS #11 Public Key Structure Verify	N/A	N/A	CSFPPV2	CSFPPV26	CSFDSV	N/A
PKCS #11 Public Key Verify	N/A	N/A	CSFPPKV	CSFPPKV6	CSF1PKV <sup>1</sup>	N/A
PKCS #11 Secret Key Decrypt	N/A	N/A	CSFPSKD	CSFPSKD6	CSF1SKD <sup>1</sup>	N/A
PKCS #11 Secret Key Encrypt	N/A	N/A	CSFPSKE	CSFPSKE6	CSF1SKE <sup>1</sup>	N/A
PKCS #11 Set Attribute Value	N/A	N/A	CSFPSAV	CSFPSAV6	CSF1SAV <sup>1</sup>	N/A
PKCS #11 Token Record Create	N/A	N/A	CSFPTRC	CSFPTRC6	CSF1TRC <sup>1</sup>	N/A
PKCS #11 Token Record Delete	N/A	N/A	CSFPTRD	CSFPTRD6	CSF1TRD <sup>1</sup>	N/A
PKCS #11 Token Record List	N/A	N/A	CSFPTRL	CSFPTRL6	CSF1TRL <sup>1</sup>	N/A
PKCS #11 Unwrap Key	N/A	N/A	CSFPUWK	CSFPUWK6	CSF1UWK <sup>1</sup>	N/A
PKCS #11 Verify Keyed MAC	N/A	N/A	CSFPHMV	CSFPHMV6	CSF1HMV <sup>1</sup>	N/A
PKCS #11 Wrap Key	N/A	N/A	CSFPWPK	CSFPWPK6	CSF1WPK <sup>1</sup>	N/A
PKDS Key Record Create	CSNDKRC	CSNFKRC	CSFPKRC	CSFPKRC6	CSFPKRC	CSFPKRC
PKDS Key Record Delete	CSNDKRD	CSNFKRD	CSFPKRD	CSFPKRD6	CSFPKRD	CSFPKRD
PKDS Key Record Read	CSNDKRR	CSNFKRR	CSFPKRR	CSFPKRR6	CSFPKRR	CSFPKRR
PKDS Key Record Read2	CSNDKRR2	CSNFKRR2	CSFPRR2	CSFPRR26	CSFPRR2	CSFPRR2
PKDS Key Record Write	CSNDKRW	CSNFKRW	CSFPKRW	CSFPKRW6	CSFPKRW	CSFPKRW
Prohibit Export	CSNBPEX	CSNEPEX	CSFPEX	CSFPEX6	CSFPEX	CSFPEX
Prohibit Export Extended	CSNBPEXX	CSNEPEXX	CSFPEXX	CSFPEXX6	CSFPEXX	CSFPEXX
Public Infrastructure Certificate	CSNDPIC	CSNFPIC	CSFPIC	CSFPIC6	CSFPIC	CSFPIC

Table 81. Resource names for CCA and ICSF entry points (continued)

Descriptive service name	CCA entry point names		ICSF entry point names		SAF resource name	Callable service exit name
Random Number Generate	CSNBRNG	CSNERNG	CSFRNG	CSFRNG6	CSFRNG	CSFRNG
Random Number Generate	CSNBRNGL	CSNERNGL	CSFRNGL	CSFRNGL6	CSFRNGL	CSFRNGL
Recover PIN from Offset	CSNBPF0	CSNEPFO	CSFPFO	CSFPFO6	CSFPFO	CSFPFO
Remote Key Export	CSNDRKX	CSNFRKX	CSFRKX	CSFRKX6	CSFRKX	CSFRKX
Restrict Key Attribute	CSNBRKA	CSNERKA	CSFRKA	CSFRKA6	CSFRKA	CSFRKA
Retained Key Delete	CSNDRKD	CSNFRKD	CSFRKD	CSFRKD6	CSFRKD	CSFRKD
Retained Key List	CSNDRKL	CSNFRKL	CSFRKL	CSFRKL6	CSFRKL	CSFRKL
SAF ACEE Selection	N/A	N/A	CSFACEE	CSFACEE6	N/A (see notes)	N/A (see notes)
Secure Key Import	CSNBSKI	CSNESKI	CSFSKI	CSFSKI6	CSFSKI	CSFSKI
Secure Key Import2	CSNBSKI2	CSNESKI2	CSFSKI2	CSFSKI26	CSFSKI2	CSFSKI2
Secure Messaging for Keys	CSNBSKY	CSNESKY	CSFSKY	CSFSKY6	CSFSKY	CSFSKY
Secure Messaging for PINs	CSNBSPN	CSNESPN	CSFSPN	CSFSPN6	CSFSPN	CSFSPN
SET Block Compose	CSNDSBC	CSNFSBC	CSFSBC	CSFSBC6	CSFSBC	CSFSBC
SET Block Decompose	CSNDSBD	CSNFSBD	CSFSBD	CSFSBD6	CSFSBD	CSFSBD
Symmetric Algorithm Decipher	CSNBSAD	CSNESAD	CSFSAD	CSFSAD6	CSFSAD	N/A
Symmetric Algorithm Decipher	CSNBSAD1	CSNESAD1	CSFSAD1	CSFSAD16	CSFSAD1	N/A
Symmetric Algorithm Encipher	CSNBSAE	CSNESAE	CSFSAE	CSFSAE6	CSFSAE	N/A
Symmetric Algorithm Encipher	CSNBSAE1	CSNESAE1	CSFSAE1	CSFSAE16	CSFSAE1	N/A
Symmetric Key Decipher	CSNBSYD	CSNESYD	CSFSYD	CSFSYD6	N/A	N/A
Symmetric Key Decipher	CSNBSYD1	CSNESYD1	CSFSYD1	CSFSYD16	N/A	N/A
Symmetric Key Encipher	CSNBSYE	CSNESYE	CSFSYE	CSFSYE6	N/A	N/A
Symmetric Key Encipher	CSNBSYE1	CSNESYE1	CSFSYE1	CSFSYE16	N/A	N/A
Symmetric Key Export	CSNDSYX	CSNFSYX	CSFSYX	CSFSYX6	CSFSYX	CSFSYX

Table 81. Resource names for CCA and ICSF entry points (continued)

Descriptive service name	CCA entry point names		ICSF entry point names		SAF resource name	Callable service exit name
Symmetric Key Export with Data	CSNDSXD	CSNFSXD	CSFSXD	CSFSXD6	CSFSXD	CSFSXD
Symmetric Key Generate	CSNDSYG	CSNFSYG	CSFSYG	CSFSYG6	CSFSYG	CSFSYG
Symmetric Key Import	CSNDSYI	CSNFSYI	CSFSYI	CSFSYI6	CSFSYI	CSFSYI
Symmetric Key Import2	CSNDSYI2	CSNFSYI2	CSFSYI2	CSFSYI26	CSFSYI2	CSFSYI2
Symmetric MAC Generate	CSNBMSG	CSNESMG	CSFSMG	CSFSMG6	N/A	CSFSMG
Symmetric MAC Generate	CSNBMSG1	CSNESMG1	CSFSMG1	CSFSMG16	N/A	CSFSMG1
Symmetric MAC Verify	CSNBSMV	CSNESMV	CSFSMV	CSFSMV6	N/A	CSFSMV
Symmetric MAC Verify	CSNBSMV1	CSNESMV1	CSFSMV1	CSFSMV16	N/A	CSFSMV1
TR-31 Export	CSNBT31X	CSNET31X	CSFT31X	CSFT31X6	CSFT31X	CSFT31X
TR-31 Import	CSNBT31I	CSNET31I	CSFT31I	CSFT31I6	CSFT31I	CSFT31I
TR-31 Optional Data Build	CSNBT31O	CSNET31O	CSFT31O	CSFT31O6	N/A	N/A
TR-31 Optional Data Read	CSNBT31R	CSNET31R	CSFT31R	CSFT31R6	N/A	N/A
TR-31 Parse	CSNBT31P	CSNET31P	CSFT31P	CSFT31P6	N/A	N/A
TR-34 Bind-Begin	CSNDT34B	CSNFT34B	CSFT34B	CSFT34B6	CSFT34B	CSFT34B
TR-34 Bind-Complete	CSNDT34C	CSNFT34C	CSFT34C	CSFT34C6	CSFT34C	CSFT34C
TR-34 Key Distribution	CSNDT34D	CSNFT34D	CSFT34D	CSFT34D6	CSFT34D	CSFT34D
TR-34 Key Receive	CSNDT34R	CSNFT34R	CSFT34R	CSFT34R6	CSFT34R	CSFT34R
Transaction Validation	CSNBTRV	CSNETRV	CSFTRV	CSFTRV6	CSFTRV	CSFTRV
Trusted Block Create	CSNDTBC	CSNFTBC	CSFTBC	CSFTBC6	CSFTBC	CSFTBC
Unique Key Derive	CSNBUKD	CSNEUKD	CSFUKD	CSFUKD6	CSFUKD	CSFUKD
VISA CVV Service Generate	CSNBCSG	CSNECSG	CSFCSG	CSFCSG6	CSFCSG	CSFCSG
VISA CVV Service Verify	CSNBCSV	CSNECSV	CSFCSV	CSFCSV6	CSFCSV	CSFCSV

**Notes:**

- Key Data Set Update (CSFKDU and CSFKDU6) and Key Data Set Record Retrieve (CSFRRT and CSFRRT6) will only be granted access with an explicitly defined covering profile.

- SAF ACEE Selection (CSFACEE and CSFACEE6) does not have SAF checking or callable service exit support on its own. The service specified in the *service\_name* parameter determines SAF checking and callable service exit capability.
- N/A is shown in a column when the callable service:
  - Does not have CCA entry points (CCA entry point names columns).
  - Does not call SAF to determine access to a CSFSERV resource (SAF resource name column).
  - Does not allow a callable service exit to be defined (Callable service exit name column).
- <sup>1</sup> CSF1xxx is just another name for the CSFPxxx service.



---

## Appendix J. Accessibility

Accessible publications for this product are offered through [IBM Documentation \(www.ibm.com/docs/en/zos\)](http://www.ibm.com/docs/en/zos).

If you experience difficulty with the accessibility of any z/OS information, send a detailed message to the [Contact the z/OS team web page \(www.ibm.com/systems/campaignmail/z/zos/contact\\_z\)](http://www.ibm.com/systems/campaignmail/z/zos/contact_z) or use the following mailing address.

IBM Corporation  
Attention: MHVRCFS Reader Comments  
Department H6MA, Building 707  
2455 South Road  
Poughkeepsie, NY 12601-5400  
United States

---

### Accessibility features

Accessibility features help users who have physical disabilities such as restricted mobility or limited vision use software products successfully. The accessibility features in z/OS can help users do the following tasks:

- Run assistive technology such as screen readers and screen magnifier software.
- Operate specific or equivalent features by using the keyboard.
- Customize display attributes such as color, contrast, and font size.

---

### Consult assistive technologies

Assistive technology products such as screen readers function with the user interfaces found in z/OS. Consult the product information for the specific assistive technology product that is used to access z/OS interfaces.

---

### Keyboard navigation of the user interface

You can access z/OS user interfaces with TSO/E or ISPF. The following information describes how to use TSO/E and ISPF, including the use of keyboard shortcuts and function keys (PF keys). Each guide includes the default settings for the PF keys.

- *z/OS TSO/E Primer*
- *z/OS TSO/E User's Guide*
- *z/OS ISPF User's Guide Vol I*

---

### Dotted decimal syntax diagrams

Syntax diagrams are provided in dotted decimal format for users who access IBM Documentation with a screen reader. In dotted decimal format, each syntax element is written on a separate line. If two or more syntax elements are always present together (or always absent together), they can appear on the same line because they are considered a single compound syntax element.

Each line starts with a dotted decimal number; for example, 3 or 3.1 or 3.1.1. To hear these numbers correctly, make sure that the screen reader is set to read out punctuation. All the syntax elements that have the same dotted decimal number (for example, all the syntax elements that have the number 3.1)

are mutually exclusive alternatives. If you hear the lines 3.1 USERID and 3.1 SYSTEMID, your syntax can include either USERID or SYSTEMID, but not both.

The dotted decimal numbering level denotes the level of nesting. For example, if a syntax element with dotted decimal number 3 is followed by a series of syntax elements with dotted decimal number 3.1, all the syntax elements numbered 3.1 are subordinate to the syntax element numbered 3.

Certain words and symbols are used next to the dotted decimal numbers to add information about the syntax elements. Occasionally, these words and symbols might occur at the beginning of the element itself. For ease of identification, if the word or symbol is a part of the syntax element, it is preceded by the backslash (\) character. The \* symbol is placed next to a dotted decimal number to indicate that the syntax element repeats. For example, syntax element \*FILE with dotted decimal number 3 is given the format 3 \\* FILE. Format 3\* FILE indicates that syntax element FILE repeats. Format 3\* \\* FILE indicates that syntax element \* FILE repeats.

Characters such as commas, which are used to separate a string of syntax elements, are shown in the syntax just before the items they separate. These characters can appear on the same line as each item, or on a separate line with the same dotted decimal number as the relevant items. The line can also show another symbol to provide information about the syntax elements. For example, the lines 5.1\*, 5.1 LASTRUN, and 5.1 DELETE mean that if you use more than one of the LASTRUN and DELETE syntax elements, the elements must be separated by a comma. If no separator is given, assume that you use a blank to separate each syntax element.

If a syntax element is preceded by the % symbol, it indicates a reference that is defined elsewhere. The string that follows the % symbol is the name of a syntax fragment rather than a literal. For example, the line 2.1 %OP1 means that you must refer to separate syntax fragment OP1.

The following symbols are used next to the dotted decimal numbers.

#### **? indicates an optional syntax element**

The question mark (?) symbol indicates an optional syntax element. A dotted decimal number followed by the question mark symbol (?) indicates that all the syntax elements with a corresponding dotted decimal number, and any subordinate syntax elements, are optional. If there is only one syntax element with a dotted decimal number, the ? symbol is displayed on the same line as the syntax element, (for example 5? NOTIFY). If there is more than one syntax element with a dotted decimal number, the ? symbol is displayed on a line by itself, followed by the syntax elements that are optional. For example, if you hear the lines 5 ?, 5 NOTIFY, and 5 UPDATE, you know that the syntax elements NOTIFY and UPDATE are optional. That is, you can choose one or none of them. The ? symbol is equivalent to a bypass line in a railroad diagram.

#### **! indicates a default syntax element**

The exclamation mark (!) symbol indicates a default syntax element. A dotted decimal number followed by the ! symbol and a syntax element indicate that the syntax element is the default option for all syntax elements that share the same dotted decimal number. Only one of the syntax elements that share the dotted decimal number can specify the ! symbol. For example, if you hear the lines 2? FILE, 2.1! (KEEP), and 2.1 (DELETE), you know that (KEEP) is the default option for the FILE keyword. In the example, if you include the FILE keyword, but do not specify an option, the default option KEEP is applied. A default option also applies to the next higher dotted decimal number. In this example, if the FILE keyword is omitted, the default FILE(KEEP) is used. However, if you hear the lines 2? FILE, 2.1, 2.1.1! (KEEP), and 2.1.1 (DELETE), the default option KEEP applies only to the next higher dotted decimal number, 2.1 (which does not have an associated keyword), and does not apply to 2? FILE. Nothing is used if the keyword FILE is omitted.

#### **\* indicates an optional syntax element that is repeatable**

The asterisk or glyph (\*) symbol indicates a syntax element that can be repeated zero or more times. A dotted decimal number followed by the \* symbol indicates that this syntax element can be used zero or more times; that is, it is optional and can be repeated. For example, if you hear the line 5.1\* data area, you know that you can include one data area, more than one data area, or no data area. If you hear the lines 3\* , 3 HOST, 3 STATE, you know that you can include HOST, STATE, both together, or nothing.

#### **Notes:**



1. If a dotted decimal number has an asterisk (\*) next to it and there is only one item with that dotted decimal number, you can repeat that same item more than once.
2. If a dotted decimal number has an asterisk next to it and several items have that dotted decimal number, you can use more than one item from the list, but you cannot use the items more than once each. In the previous example, you can write HOST STATE, but you cannot write HOST HOST.
3. The \* symbol is equivalent to a loopback line in a railroad syntax diagram.

**+ indicates a syntax element that must be included**

The plus (+) symbol indicates a syntax element that must be included at least once. A dotted decimal number followed by the + symbol indicates that the syntax element must be included one or more times. That is, it must be included at least once and can be repeated. For example, if you hear the line 6.1+ data area, you must include at least one data area. If you hear the lines 2+, 2 HOST, and 2 STATE, you know that you must include HOST, STATE, or both. Similar to the \* symbol, the + symbol can repeat a particular item if it is the only item with that dotted decimal number. The + symbol, like the \* symbol, is equivalent to a loopback line in a railroad syntax diagram.



## Notices

---

This information was developed for products and services that are offered in the USA or elsewhere.

IBM may not offer the products, services, or features discussed in this document in other countries. Consult your local IBM representative for information on the products and services currently available in your area. Any reference to an IBM product, program, or service is not intended to state or imply that only that IBM product, program, or service may be used. Any functionally equivalent product, program, or service that does not infringe any IBM intellectual property right may be used instead. However, it is the user's responsibility to evaluate and verify the operation of any non-IBM product, program, or service.

IBM may have patents or pending patent applications covering subject matter described in this document. The furnishing of this document does not grant you any license to these patents. You can send license inquiries, in writing, to:

*IBM Director of Licensing  
IBM Corporation  
North Castle Drive, MD-NC119  
Armonk, NY 10504-1785  
United States of America*

For license inquiries regarding double-byte character set (DBCS) information, contact the IBM Intellectual Property Department in your country or send inquiries, in writing, to:

*Intellectual Property Licensing  
Legal and Intellectual Property Law  
IBM Japan Ltd.  
19-21, Nihonbashi-Hakozakicho, Chuo-ku  
Tokyo 103-8510, Japan*

**The following paragraph does not apply to the United Kingdom or any other country where such provisions are inconsistent with local law:** INTERNATIONAL BUSINESS MACHINES CORPORATION PROVIDES THIS PUBLICATION "AS IS" WITHOUT WARRANTY OF ANY KIND, EITHER EXPRESS OR IMPLIED, INCLUDING, BUT NOT LIMITED TO, THE IMPLIED WARRANTIES OF NON-INFRINGEMENT, MERCHANTABILITY OR FITNESS FOR A PARTICULAR PURPOSE. Some states do not allow disclaimer of express or implied warranties in certain transactions, therefore, this statement may not apply to you.

This information could include technical inaccuracies or typographical errors. Changes are periodically made to the information herein; these changes will be incorporated in new editions of the publication. IBM may make improvements and/or changes in the product(s) and/or the program(s) described in this publication at any time without notice.

This information could include missing, incorrect, or broken hyperlinks. Hyperlinks are maintained in only the HTML plug-in output for IBM Documentation. Use of hyperlinks in other output formats of this information is at your own risk.

Any references in this information to non-IBM websites are provided for convenience only and do not in any manner serve as an endorsement of those websites. The materials at those websites are not part of the materials for this IBM product and use of those websites is at your own risk.

IBM may use or distribute any of the information you supply in any way it believes appropriate without incurring any obligation to you.

Licensees of this program who wish to have information about it for the purpose of enabling: (i) the exchange of information between independently created programs and other programs (including this one) and (ii) the mutual use of the information which has been exchanged, should contact:

*IBM Corporation  
Site Counsel  
2455 South Road*

Poughkeepsie, NY 12601-5400  
USA

Such information may be available, subject to appropriate terms and conditions, including in some cases, payment of a fee.

The licensed program described in this document and all licensed material available for it are provided by IBM under terms of the IBM Customer Agreement, IBM International Program License Agreement or any equivalent agreement between us.

Any performance data contained herein was determined in a controlled environment. Therefore, the results obtained in other operating environments may vary significantly. Some measurements may have been made on development-level systems and there is no guarantee that these measurements will be the same on generally available systems. Furthermore, some measurements may have been estimated through extrapolation. Actual results may vary. Users of this document should verify the applicable data for their specific environment.

Information concerning non-IBM products was obtained from the suppliers of those products, their published announcements or other publicly available sources. IBM has not tested those products and cannot confirm the accuracy of performance, compatibility or any other claims related to non-IBM products. Questions on the capabilities of non-IBM products should be addressed to the suppliers of those products.

All statements regarding IBM's future direction or intent are subject to change or withdrawal without notice, and represent goals and objectives only.

This information contains examples of data and reports used in daily business operations. To illustrate them as completely as possible, the examples include the names of individuals, companies, brands, and products. All of these names are fictitious and any similarity to the names and addresses used by an actual business enterprise is entirely coincidental.

#### COPYRIGHT LICENSE:

This information contains sample application programs in source language, which illustrate programming techniques on various operating platforms. You may copy, modify, and distribute these sample programs in any form without payment to IBM, for the purposes of developing, using, marketing or distributing application programs conforming to the application programming interface for the operating platform for which the sample programs are written. These examples have not been thoroughly tested under all conditions. IBM, therefore, cannot guarantee or imply reliability, serviceability, or function of these programs. The sample programs are provided "AS IS", without warranty of any kind. IBM shall not be liable for any damages arising out of your use of the sample programs.

## Terms and conditions for product documentation

---

Permissions for the use of these publications are granted subject to the following terms and conditions.

### **Applicability**

These terms and conditions are in addition to any terms of use for the IBM website.

### **Personal use**

You may reproduce these publications for your personal, noncommercial use provided that all proprietary notices are preserved. You may not distribute, display or make derivative work of these publications, or any portion thereof, without the express consent of IBM.

### **Commercial use**

You may reproduce, distribute and display these publications solely within your enterprise provided that all proprietary notices are preserved. You may not make derivative works of these publications, or

reproduce, distribute or display these publications or any portion thereof outside your enterprise, without the express consent of IBM.

## Rights

Except as expressly granted in this permission, no other permissions, licenses or rights are granted, either express or implied, to the publications or any information, data, software or other intellectual property contained therein.

IBM reserves the right to withdraw the permissions granted herein whenever, in its discretion, the use of the publications is detrimental to its interest or, as determined by IBM, the above instructions are not being properly followed.

You may not download, export or re-export this information except in full compliance with all applicable laws and regulations, including all United States export laws and regulations.

IBM MAKES NO GUARANTEE ABOUT THE CONTENT OF THESE PUBLICATIONS. THE PUBLICATIONS ARE PROVIDED "AS-IS" AND WITHOUT WARRANTY OF ANY KIND, EITHER EXPRESSED OR IMPLIED, INCLUDING BUT NOT LIMITED TO IMPLIED WARRANTIES OF MERCHANTABILITY, NON-INFRINGEMENT, AND FITNESS FOR A PARTICULAR PURPOSE.

## IBM Online Privacy Statement

---

IBM Software products, including software as a service solutions, ("Software Offerings") may use cookies or other technologies to collect product usage information, to help improve the end user experience, to tailor interactions with the end user, or for other purposes. In many cases no personally identifiable information is collected by the Software Offerings. Some of our Software Offerings can help enable you to collect personally identifiable information. If this Software Offering uses cookies to collect personally identifiable information, specific information about this offering's use of cookies is set forth below.

Depending upon the configurations deployed, this Software Offering may use session cookies that collect each user's name, email address, phone number, or other personally identifiable information for purposes of enhanced user usability and single sign-on configuration. These cookies can be disabled, but disabling them will also eliminate the functionality they enable.

If the configurations deployed for this Software Offering provide you as customer the ability to collect personally identifiable information from end users via cookies and other technologies, you should seek your own legal advice about any laws applicable to such data collection, including any requirements for notice and consent.

For more information about the use of various technologies, including cookies, for these purposes, see IBM's Privacy Policy at [ibm.com/privacy](http://ibm.com/privacy) and IBM's Online Privacy Statement at [ibm.com/privacy/details](http://ibm.com/privacy/details) in the section entitled "Cookies, Web Beacons and Other Technologies," and the "IBM Software Products and Software-as-a-Service Privacy Statement" at [ibm.com/software/info/product-privacy](http://ibm.com/software/info/product-privacy).

## Policy for unsupported hardware

---

Various z/OS elements, such as DFSMSdfp, JES2, JES3, and MVS™, contain code that supports specific hardware servers or devices. In some cases, this device-related element support remains in the product even after the hardware devices pass their announced End of Service date. z/OS may continue to service element code; however, it will not provide service related to unsupported hardware devices. Software problems related to these devices will not be accepted for service, and current service activity will cease if a problem is determined to be associated with out-of-support devices. In such cases, fixes will not be issued.

## Minimum supported hardware

---

The minimum supported hardware for z/OS releases identified in z/OS announcements can subsequently change when service for particular servers or devices is withdrawn. Likewise, the levels of other software products supported on a particular release of z/OS are subject to the service support lifecycle of those

products. Therefore, z/OS and its product publications (for example, panels, samples, messages, and product documentation) can include references to hardware and software that is no longer supported.

- For information about software support lifecycle, see: [IBM Lifecycle Support for z/OS \(www.ibm.com/software/support/systemsz/lifecycle\)](http://www.ibm.com/software/support/systemsz/lifecycle)
- For information about currently-supported IBM hardware, contact your IBM representative.

## Trademarks

---

IBM, the IBM logo, and [ibm.com](http://ibm.com) are trademarks or registered trademarks of International Business Machines Corp., registered in many jurisdictions worldwide. Other product and service names might be trademarks of IBM or other companies. A current list of IBM trademarks is available on the Web at [Copyright and Trademark information \(www.ibm.com/legal/copytrade.shtml\)](http://www.ibm.com/legal/copytrade.shtml).

# Index

## A

Access Control Points [501](#)  
access control, using SAF to control use of cryptographic keys and services [75](#)  
accessibility  
    contact IBM [533](#)  
    features [533](#)  
Activate PKDS panel [483](#)  
ADD control statement  
    creating using panels [220](#)  
    example  
        add a group of CLRDES keys [208](#)  
        add a range of CLRDES keys [209](#)  
        adding an entry to the CKDS [204](#), [208](#)  
        creating a range of NULL keys [206](#)  
        creating keys for key exchange [205](#)  
        with ALGORITHM keyword [211](#)  
        with CLEAR keyword [204](#)  
        with CLRAES keys [210](#)  
        with CLRAES keyword [209](#)  
        with CLRDES and CLRAES keyword [208](#)  
        with range of CLRAES keys [210](#)  
        with TRANSKEY keyword [205](#)  
    function [195](#)  
    syntax [174](#)  
administrative control function  
    displaying [244](#)  
Administrative Control Functions panel [170](#), [481](#)  
AES  
    key exchange using RSA key scheme [26](#)  
ALGORITHM control statement keyword [178](#)  
Allocation panel [219](#)  
AMS IMPORT/EXPORT commands [215](#)  
AMS REPRO command [215](#)  
archiving  
    record [405](#)  
archiving a record  
    KDSR format CKDS [292](#)  
    KDSR format PKDS [346](#)  
assistive technologies [533](#)  
ASYM-MK master key  
    initializing [115](#)  
asymmetric keys [31](#)  
asymmetric master key  
    register [255](#)  
AUDIT operand  
    for profiles in the CSFKEYS general resource class [80](#)  
    for profiles in the CSFSERV general resource class [79](#)  
auditing  
    CKDS KEYS utility [290](#)  
    PKCS11 Token utility [399](#)  
    PKDS KEYS utility [344](#)  
Authorized UDX Coprocessor Selection panel [285](#)  
Authorized UDXs panel [286](#)  
automated teller machines  
    atm

automated teller machines (*continued*)  
    atm (*continued*)  
        remote key loading [25](#)

## C

callable service, installation-defined [282](#)  
CCA and RCE concurrence [63](#)  
CCA Domain Role Display panel [274–278](#)  
CCA entry points  
    resource names [523](#)  
CCA operational keys [10](#)  
CEX2C  
    adding after initialization [139](#)  
Change Master Key panel [483](#)  
changing  
    record metadata [415](#)  
changing master keys [126](#)  
changing record cryptoperiod  
    KDSR format CKDS [296](#)  
    KDSR format PKDS [350](#)  
changing the asymmetric master key  
    using panels [130](#)  
changing the master key  
    using panels [98](#), [128](#), [132](#)  
changing the master key using a utility program [439](#)  
checksum  
    algorithm [493](#)  
    description  
        general [100](#)  
        generating for master key entry [100](#)  
    generating [102](#)  
Checksum and Verification Pattern panel  
    initial [103](#), [486](#)  
    requesting calculations [104](#)  
Cipher text translation keys [11](#)  
CKDS  
    entering keys into [33](#)  
    managing in a SYSPLEX environment [158](#)  
    sharing [158](#)  
    unsupported keys [67](#)  
CKDS (cryptographic key data set)  
    description [65](#)  
    disallowing dynamic update [169](#)  
    initializing [115](#)  
    installation option [257](#)  
    panel option [482](#)  
    record format [212](#)  
    reenciphering  
        using a utility program [439](#)  
    refreshing  
        using a utility program [441](#)  
        using panels [215](#), [237](#)  
    specifying using panels [232](#)  
CKDS KEYS error [337](#)  
CKDS KEYS utility  
    auditing [290](#)

- CKDS labels [290](#)
- CKDS management panel [485](#)
- CKDS Operations panel [482](#)
- CLEAR control statement keyword [181](#)
- clear key [9](#)
- COMPAT installation option [262](#)
- complementary key [170](#)
- compliance migration mode [250](#)
- COMPLIANCEWARN installation option [263](#)
- Confirm Restart Request panel [113](#)
- contact
  - [z/OS 533](#)
- control information
  - CSFSERV general resource class
    - defining profiles [77](#)
  - for symmetric key generate [77–79](#)
  - general resource class
    - CSFSERV [77](#)
  - sample commands
    - RDEFINE [77](#)
- control statement
  - creating using panels [216](#)
  - editing [230](#)
  - input data set
    - description [212](#)
    - specifying using panels [217, 232](#)
  - output data set
    - description [213](#)
    - specifying using panels [233](#)
- control vector
  - description [20, 489](#)
  - value [489–491](#)
- controlling who can use cryptographic keys and services [75](#)
- Converting to common record format
  - key data set [69](#)
- Coprocessor Management [484](#)
- Coprocessor Management panel [105, 248, 269, 278](#)
- Coprocessor Role Status Display panel [270–273](#)
- Coprocessors for Authorized UDX panel [286](#)
- Coprocessors for Authorized UDXs panel [286](#)
- CP Assist for Cryptographic Functions
  - hardware [4](#)
- Create ADD, UPDATE, or DELETE Key Statement panel [221–223, 226](#)
- Create RENAME Control Statement panel [227, 228](#)
- Create SET Control Statement panel [229](#)
- creating tokens [400](#)
- crypto education [xxxiv](#)
- Crypto Express2 adapter
  - hardware [4](#)
- Crypto Express3 adapter
  - hardware [3](#)
- Crypto Express4 adapter
  - hardware [3](#)
- Crypto Express5 adapter
  - hardware [3](#)
- Crypto Express6 adapter
  - hardware [3](#)
- Cryptographic Coprocessor Feature [19](#)
- cryptographic domain [249](#)
- cryptographic key data sets
  - generating [29](#)
  - maintaining [29, 35, 65](#)
  - setting up [29, 65](#)

- cryptographic usage tracking [85, 86](#)
- cryptoperiod
  - changing [296, 350](#)
- CSFDIAG data set
  - DD statement for [236](#)
- CSFDUTIL utility
  - reason codes [456](#)
- CSFDUTIL utility program
  - description [455](#)
  - return codes [456](#)
- CSFEUTIL utility
  - reason codes [442](#)
- CSFEUTIL utility program
  - description [439](#)
  - return codes [441, 450](#)
  - using [441](#)
- CSFKEYS general resource class
  - defining profiles [80](#)
  - prefixed profiles [81](#)
  - SAF conditional access control [83](#)
- CSFPUTIL utility
  - reason codes [451](#)
- CSFPUTIL utility program
  - description [449](#)
  - using [450](#)
- CSFSERV class
  - resources for token services [398](#)
- CSFSERV general resource class
  - prefixed profiles [81](#)

## D

- data protection [26](#)
- data-encrypting key [10](#)
- Deactivate Last Coprocessor panel [247, 248](#)
- Decode panel [288](#)
- decoding [288](#)
- DEFAULTWRAP installation option [264](#)
- defining a Key Store Policy [36, 37](#)
- DELETE control statement
  - creating using panels [220](#)
  - example
    - with CLRAES key labels [210](#)
    - with CLRAES keyword [210](#)
    - with CLRDES key labels [209](#)
    - with CLRDES keyword [209](#)
  - function [207](#)
  - syntax [202](#)
- deleting
  - object [409](#)
- deleting a record
  - KDSR format CKDS [301](#)
  - KDSR format PKDS [356](#)
  - non-KDSR format CKDS [327](#)
  - non-KDSR format PKDS [380](#)
- deleting tokens [401](#)
- DES
  - key exchange using RSA key scheme [26](#)
  - remote key loading [25](#)
- DES control statement keyword [191](#)
- DES control vector attributes [338](#)
- diagnostics data set
  - description [212](#)
  - specifying using panels [232](#)



- disabling PKA callable services [99](#)
- disallowing dynamic CKDS update [169](#)
- displaying
  - administrative control function [244](#)
  - hardware status [248](#)
  - installation exits [280](#), [281](#)
  - installation option [256](#)
  - installation-defined callable service [282](#)
  - installation-defined callable services [282](#)
  - record metadata [415](#)
- displaying details
  - object [414](#)
- displaying key attributes
  - KDSR format CKDS [308](#)
  - KDSR format PKDS [362](#)
  - non-KDSR format CKDS [333](#)
  - non-KDSR format PKDS [385](#)
- displaying metadata of a record
  - KDSR format CKDS [311](#)
  - KDSR format PKDS [366](#)
- displaying records
  - KDSR format CKDS [305](#)
  - KDSR format PKDS [360](#)
  - non-KDSR format [331](#), [384](#)
- Distributing CCA keys [56](#)
- domain
  - reassigning [500](#)
- DOMAIN installation option [264](#)
- domain, cryptographic [249](#)
- dynamic CKDS
  - update services, entering keys [34](#)
  - update, disallowing [169](#)
- DYNAMIC installation option [244](#)
- dynamic PKDS
  - update services, entering keys [35](#)

## E

- ECDSA algorithm [3](#)
- Edit Control Statement panel [230](#)
- editing control statement [230](#)
- Elliptic Curve Digital Signature Algorithm (ECDSA) [3](#)
- Encode panel [287](#)
- encoding [287](#)
- encrypted key [9](#)
- entering
  - final key part manually [109](#)
  - intermediate key parts [107](#)
  - keys into the CKDS
    - using the dynamic CKDS update services [34](#)
    - using the key generator utility program [34](#)
  - keys into the PKDS
    - using the dynamic PKDS update services [35](#)
  - keys into the TKDS [59](#)
- exit
  - identifier on ICSF/MVS [281](#)
- exits
  - displaying [280](#)
- exportable form [24](#)

## F

- factorization problem [3](#)

- feedback [xxxv](#)
- FIPSMODE installation option [264](#)

## G

- general resource class
  - CSFKEYS [80](#)
- generating an AES DATA key
  - KDSR format CKDS [315](#)
  - non-KDSR format CKDS [336](#)
- generating checksums, verification patterns, and hash patterns [102](#)
- generating master key data [100](#)
- Group Label Panel [225](#)

## H

- hardware status
  - displaying [248](#)
- Hardware Status Display panel [249](#)
- hash pattern
  - description [100](#)
  - generating [102](#)

## I

- ICSF (Integrated Cryptographic Service Facility)
  - description [1](#)
- ICSF entry points
  - resource names [523](#)
- ICSF panels [481](#)
- importable form [24](#)
- initial transport key pair
  - description [171](#)
  - establishing [238](#), [239](#), [241](#)
- initialization
  - by pass phrase [87](#)
  - PCICC [91](#)
- Initialize a PKDS panel [118](#), [484](#)
- initializing the CKDS [115](#)
- initializing the PKDS [115](#)
- Installation Defined Services panel [283](#)
- installation exits
  - displaying [281](#)
- Installation Exits Display panel [488](#)
- installation option
  - displaying [256](#)
- installation option keyword
  - COMPAT [262](#)
  - COMPLIANCEWARN [263](#)
  - DEFAULTWRAP [264](#)
  - DOMAIN [264](#)
  - SERVICELIBS [266](#)
  - SERVSCSFMOD0 [266](#)
  - SERVIEALNKE [266](#)
- Installation Options [282](#)
- Installation Options panel [256](#), [487](#)
- installation-defined callable services
  - displaying [282](#)
- INSTDATA control statement keyword [203](#)
- Integrated Cryptographic Service Facility [1](#)

## K

- KDSR format TKDS
  - managing objects [404](#)
- Key Administration panel [216](#), [231](#), [234](#)
- Key Administration Panel [237](#)
- KEY control statement keyword [183](#)
- key data set
  - Converting to common record format [69](#)
- Key Data Set Management panel [114](#), [485](#)
- key generate callable service [29](#)
- key management attributes [341](#)
- key material
  - validity dates [55](#), [73](#)
- key output data set
  - description [212](#)
  - specifying using panels [232](#)
- key part
  - description [100](#)
- key separation [19](#)
- Key Store Policy
  - Default Key Label Checking controls [41](#)
  - Duplicate Key Token Checking controls [42](#)
  - Granular Key Label Access controls [43](#)
  - Key Token Authorization Checking controls [40](#)
  - PKA Key Management Extensions controls [53](#)
  - Symmetric Key Label Export controls [44](#)
- Key Type Selection panel [104](#), [222](#), [227](#), [486](#)
- key types
  - migrating from PCF and CUSP key types [21](#)
- key usage attributes [338](#)
- key-encrypting key variant [20](#)
- keyboard
  - navigation [533](#)
  - PF keys [533](#)
  - shortcut keys [533](#)
- KEYUSAGE control statement keyword [184](#)
- KGUP
  - SAF checking [83](#)
- KGUP (key generator utility program)
  - control statement [172](#)
  - data set
    - specifying using panels [231](#)
  - description [167](#)
  - entering keys [34](#)
  - executing using panels [215](#)
  - generating keys [29](#)
  - JCL for submitting [214](#)
  - maintaining keys [35](#)
  - panel option [215](#)
  - reducing control area and interval splits [215](#)
  - return codes
    - described in explanation of message CSFG0002 [214](#)
  - SAF requirements [168](#)
  - submitting JCL
    - using panels [233](#)
- KGUP Control Statement Data Set Specification panel [217](#), [218](#)
- KGUP control statement keyword
  - ALGORITHM [178](#)
  - CLEAR [181](#)
  - DES [191](#)
  - KEY [183](#)

- KGUP control statement keyword (*continued*)
  - KEYUSAGE [184](#)
  - LABEL [175](#), [202](#)
  - LENGTH [181](#)
  - NOCV [181](#)
  - OUTTYPE [178](#)
  - RANGE [175](#), [202](#)
  - TRANSKEY [180](#)
  - TYPE [175](#), [202](#), [206](#)
- KGUP Control Statement Menu panel [226](#), [229](#), [230](#)

## L

- LABEL control statement keyword [175](#), [202](#), [203](#)
- listing tokens [403](#)
- logical partition [499](#)
- LPAR [499](#)

## M

- MAC (message authentication code)
  - keys [12](#)
  - managing keys in CKDS [290](#)
  - managing keys in PKDS [344](#)
  - managing objects
    - KDSR format TKDS [404](#)
    - non-KDSR format TKDS [423](#)
  - managing PKCS11 tokens and objects in TKDS [399](#)
  - managing regional cryptographic keys [60](#)
- master key
  - changing
    - using a utility program [439](#)
  - concept [19](#)
  - description [19](#)
  - variant [20](#)
- master key (ASYM-MK)
  - initializing [115](#)
- master key (SYM-MK)
  - initializing [115](#)
- master key data
  - generating [100](#)
- Master Key Entry panel [107–113](#)
- Master Key Management panel [220](#)
- Master Key Values from Pass Phrase panel
  - initial [487](#)
- master keys
  - changing [126](#)
  - clearing [140](#)
  - description [9](#)
  - entering using the pass phrase initialization utility [87](#)
- MASTERKCVLEN(n) [265](#)
- MAXSESSOBJECTS(n) [265](#)
- MDC-4 hash pattern
  - algorithm [496](#)
- Member Selection List panel [219](#)
- metadata blocks
  - IBM [73](#)
  - variable-length [72](#)
- missing master keys [91](#)

## N

- navigation

navigation (*continued*)

keyboard [533](#)

new master key register [250](#), [251](#), [253](#), [254](#)

NOCV

flag [181](#)

processing [181](#), [195](#)

NOCV control statement keyword [181](#), [204](#)

non-KDSR format TKDS

managing objects [423](#)

NOSSM parameter [214](#)

NOTIFY operand

for profiles in the CSFKEYS general resource class [80](#)

for profiles in the CSFSERV general resource class [79](#)

## O

object

deleting [409](#)

displaying details [414](#)

old master key register [250](#), [252](#)–[254](#)

OPKYLOAD control statement

example [207](#), [208](#)

syntax [203](#)

OUTTYPE control statement keyword [178](#)

## P

panels

CSF@PRIM — Primary Menu [481](#)

CSFACF00 — Administrative Control Functions [481](#)

CSFACF00 —Administrative Control Functions [170](#)

CSFCKD20 — CKDS Operations [482](#)

CSFCKD30 — Initialize a PKDS [118](#)

CSFCKD30 — PKDS Operations [482](#)

CSFCMK10 — Reencipher CKDS [482](#)

CSFCMK12 —Reencipher PKDS [483](#)

CSFCMK20 — Change Master Key [483](#)

CSFCMK21 —refresh PKDS [483](#)

CSFCMK30 — Initialize a PKDS [484](#)

CSFCMP00 — Coprocessor Management [105](#), [248](#), [269](#), [484](#)

CSFCMP00 — Coprocessor Management panel [278](#)

CSFCMP30 — CCA Coprocessor Role Display panel [270](#)–[273](#)

CSFCMP32 — CCA Domain Role Display panel [274](#)–[278](#)

CSFCMP40 — Hardware Status Display [249](#)

CSFCMP41 — Hardware Status Display [255](#)

CSFCMP60 — Deactivate Last Coprocessor [247](#)

CSFCMP61 — Deactivate Last Coprocessor [248](#)

CSFCSE10 — Create ADD, UPDATE, or DELETE Key Statement [221](#)–[223](#), [226](#)

CSFCSE11 — Group Label Panel [225](#)

CSFCSE12 — Key Type Selection [222](#), [227](#)

CSFCSE20 — Create RENAME Control Statement [227](#), [228](#)

CSFCSE30 — Create SET Control Statement [229](#)

CSFCSM00 — KGUP Control Statement Menu [220](#), [226](#), [229](#), [230](#)

CSFDKE10 — Master Key Entry [110](#)

CSFDKE50 — Master Key Entry [107](#)–[109](#), [111](#)–[113](#)

CSFDKE50 —Master Key entry [106](#)

CSFDKE80 — Confirm Restart Request [113](#)

CSFE000 — Decode [288](#)

panels (*continued*)

CSFE000 — Encode [287](#)

CSFMKM00 — Master Key Management [114](#)

CSFMKM20 — CKDS Management [485](#)

CSFMKM30 — PKDS Management [485](#)

CSFMKV00 — Checksum and Verification Pattern [103](#), [104](#), [486](#)

CSFMKV10 — Key Type Selection [104](#), [486](#)

CSFPMC210 — Pass Phrase MK/CKDS/PKDS

Initialization [486](#)

CSFPPM00 —Master Key Values from Pass Phrase [487](#)

CSFRNG00 — Random Number Generator [487](#)

CSFSAE10 — KGUP Control Statement Data Set

Specification [217](#), [218](#)

CSFSAE11 — Allocation [219](#)

CSFSAE12 — Member Selection List [219](#)

CSFSAE20 — Specify KGUP Data Sets [232](#), [233](#)

CSFSAE30 — Set KGUP JCL Card [234](#)

CSFSAE40 — Refresh In-storage CKDS [237](#)

CSFSAM00 — Key Administration [216](#), [231](#), [234](#), [237](#)

CSFSOP00 — Installation Options [256](#), [282](#), [487](#)

CSFSOP30 — Installation Exits Display [488](#)

CSFSOP40 — Installation Defined Services [283](#)

CSFTBR30 - ICSF Token Management - Certificate

Object Details Panel [427](#)

CSFTBR34 - ICSF Token Management - Data Object

Details Panel [426](#)

CSFTBR41 - ICSF Token Management - Domain

Parameters Object Details Panel [436](#)

CSFUDX00 [285](#)

CSFUDX10 [285](#)

CSFUDX20 [286](#)

CSFUDX30 [286](#)

CSFUDX40 [286](#)

CSFUTL00 — Utilities [103](#), [287](#), [288](#), [488](#)

ICSF Token Management - Private Key Object Details Panel [433](#), [434](#)

ICSF Token Management - Public Key Object Details Panel [430](#)

ICSF Token Management - Secret Key Object Details Panel [428](#)

ISREDDE — Edit Control Statement [230](#)

pass phrase initialization

calculations [495](#)

pass phrase initialization utility

initializing [92](#)

initializing multiple systems [92](#)

SAF protection [88](#)

Pass Phrase MK/CKDS/PKDS Initialization panel [486](#)

PCI X Cryptographic Coprocessor

status [245](#), [249](#)

PCI-HSM compliance mode [250](#)

PCICC initialization [91](#)

PIN (personal identification number)

keys [13](#)

PKA callable services

disabling when entering RSA-MK [99](#)

PKAcall installation option [244](#)

PKCS #11 Coprocessor Hardware Status Panel [255](#)

PKCS11 Token utility

auditing [399](#)

PKDS

entering keys into [34](#)

installation option [257](#)

- PKDS (*continued*)
  - managing [67](#)
  - managing in a SYSPLEX environment [161](#)
  - panel option [482](#)
  - reenciphering
    - using a utility program [449](#)
  - refreshing
    - using a utility program [450](#)
  - unsupported keys [68](#)
- PKDS (cryptographic key data set)
  - initializing [115](#)
- PKDS (public key data set)
  - panel option [118](#), [484](#)
- PKDS generate keys [390](#)
- PKDS KEYS error [389](#)
- PKDS KEYS utility
  - auditing [344](#)
- PKDS labels [345](#)
- PKDS management panel [485](#)
- PKDS Operations panel [482](#)
- PKDS Write Create and Delete installation option [244](#)
- PR/SM consideration
  - entering
    - keys into the KSU [500](#)
    - the master key [500](#)
- prefixed profiles
  - CSFKEYS general resource class [81](#)
  - CSFSERV general resource class [81](#)
- primary menu panel [88](#)
- Primary Menu panel [481](#)
- prohibit archiving
  - record [416](#)
- prohibiting archival of a record
  - KDSR format CKDS [316](#)
  - KDSR format PKDS [370](#)
- protecting
  - data [26](#)
  - keys sent between systems [25](#)
  - keys stored with a file [24](#)

## R

### RACF

- sample commands
  - ADDGROUP [77](#)
  - ALTUSER [77](#)
  - CONNECT [77](#)
  - PERMIT [79](#), [80](#)
  - RDEFINE [80](#)
  - REMOVE [77](#)
  - SETROPTS [79](#), [81](#)
- Random Number Generator panel [487](#)
- RANGE control statement keyword [175](#), [202](#)
- RCE and CCA concurrence [63](#)
- RCE redirection [61](#)
- reason codes
  - CSFDUTIL utility [456](#)
  - CSFEUTIL utility [442](#)
  - CSFPUTIL utility [451](#)
- REASONCODES installation option [265](#)
- recalling a record
  - KDSR format CKDS [321](#)
  - KDSR format PKDS [374](#)
  - TKDS [419](#)

- record
  - archiving [405](#)
  - prohibit archiving [416](#)
- record metadata
  - changing [415](#)
  - displaying [415](#)
- Reencipher CKDS panel [482](#)
- Reencipher PKDS panel [483](#)
- reenciphering a PKDS using a utility program
  - using CSFPUTIL utility program [450](#)
- reenciphering CKDS using a utility program [439](#)
- reenciphering in-storage CKDS using a utility program
  - using CSFEUTIL utility program [441](#)
- reenciphering PKDS using a utility program [449](#)
- reenciphering the CKDS
  - performing a local symmetric master key change [128](#)
- reenciphering the PKDS
  - performing a local asymmetric master key change [130](#)
- Refresh In-storage CKDS panel [237](#)
- refreshing the CKDS
  - using panels [215](#), [237](#)
- refreshing the in-storage CKDS
  - using CSFEUTIL utility program [441](#)
- refreshing the in-storage copy of the PKDS
  - using CSFPUTIL utility program [450](#)
- regional cryptographic operational keys [18](#)
- regional cryptographic server
  - master key [60](#)
- regional cryptographic servers [4](#)
- reinitializing a system [91](#)
- RENAME control statement
  - creating using panels [226](#)
  - example
    - with CLRAES keyword [210](#)
    - with CLRDES keyword [209](#)
  - syntax [201](#)
- resource names
  - CCA entry points [523](#)
  - ICSF entry points [523](#)
- restarting the key entry process [112](#)
- return codes
  - CSFDUTIL utility [456](#)
  - CSFEUTIL utility [441](#), [450](#)
  - KGUP
    - described in explanation of message CSFG0002 [214](#)
- reusing a domain [500](#)
- RSA [17](#)
- RSA encrypted data keys
  - exchanging [24](#)
  - key exchange [24](#)
- RSA protected AES key exchange [26](#)
- RSA protected DES key exchange [26](#)

## S

### SAF

- using to control use of cryptographic keys and services [75](#)
- SAF checking
  - KGUP [83](#)
- SAF conditional access control
  - CSFKEYS general resource class [83](#)
- SAF controls [289](#), [343](#), [397](#)

security  
 using SAF to control use of cryptographic keys and services [75](#)

sending to IBM  
 reader comments [xxxv](#)

SERNBR control statement keyword [203](#)

service  
 installation-defined [282](#)

SERVICELIBS installation option [266](#)

SERVSCSFMOD0 installation option [266](#)

SERVSIEALNKE installation option [266](#)

SET control statement  
 creating using panels [228](#)  
 example [207](#)  
 syntax [203](#)

Set KGUP JCL Card panel [234](#)

setting the ASYM-MK master key [115](#)

setting the DES-MK master key [115](#)

setting up the PKDS [67](#)

shortcut keys [533](#)

SINGLE control statement keyword [181](#)

SO R/W  
 description [398](#)

special secure mode  
 CLEAR control statement keyword [181](#)  
 KGUP considerations [34](#)  
 SSM or NOSSM parameter for KGUP [214](#)  
 submitting KGUP job stream using panel [235](#)

Specify KGUP Data Sets panel [232](#), [233](#)

SSM  
 installation option [267](#)  
 parameter [214](#)

status  
 Cryptographic Coprocessor [249](#)  
 installation exits [281](#)  
 installation-defined callable services [282](#)  
 panel option [244](#), [256](#)  
 PCI X Cryptographic Coprocessor [245](#), [249](#)  
 viewing [243](#)

Strong SO  
 description [398](#)

SYM-MK master key  
 initializing [115](#)

symmetric keys [29](#)

Symmetric keys [10](#)

symmetric master key  
 register [251](#), [252](#), [254](#)

SYSPLEX  
 managing the CKDS [158](#)  
 managing the PKDS [161](#)  
 managing the TKDS [164](#)  
 setting DES master keys [159](#)  
 updating the CKDS [160](#)  
 updating the PKDS [162](#)

SYSPLEXCKDS installation option [267](#), [268](#)

SYSPLEXTKDS installation option [268](#)

system keys  
 entering into the CKDS [32](#)

## T

TKDS  
 entering keys into [59](#)  
 installation option [258](#)

TKDS (*continued*)  
 managing in a SYSPLEX environment [164](#)  
 setting up and maintaining [69](#)

TKDS key protection [60](#)

TKDS panel [426–428](#), [430](#), [433](#), [434](#), [436](#)

token  
 access levels [397](#)

tokens  
 creating [400](#)  
 deleting [401](#)  
 listing [403](#)  
 managing objects [403](#)

trademarks [540](#)

TRANSKEY control statement keyword [180](#)

transport key  
 description [19](#)  
 initial pair [171](#), [238](#), [239](#), [241](#)  
 use [171](#)  
 variant [20](#)

Trusted blocks [18](#)

TYPE control statement keyword [175](#), [202](#)

type of key [9](#)

## U

UDX attributes [338](#)

UDX Options Menu panel [285](#)

UPDATE control statement  
 creating using panels [220](#)  
 example  
 with ALGORITHM keyword [211](#)  
 with CLRAES keyword [210](#)  
 with CLRDES keyword [209](#)  
 function [195](#)  
 syntax [174](#)

updating the CKDS  
 in a SYSPLEX [160](#)

updating the PKDS  
 in a SYSPLEX [162](#)

usage tracking  
 disabling [86](#)  
 enabling [86](#)  
 SMF [85](#)

user interface  
 ISPF [533](#)  
 TSO/E [533](#)

User R/O  
 description [398](#)

User R/W  
 description [398](#)

USERPARM installation option [268](#)

using CKDS KEYS  
 KDSR format [291](#)  
 non-KDSR format [326](#)

using PKDS KEYS  
 KDSR format [345](#)  
 non-KDSR format [379](#)

using RSA encryption [24](#)

Utilities panel [103](#), [287](#), [288](#), [488](#)

utility panel option [287](#)

utility program  
 to change the master key [439](#)  
 to reencipher a CKDS [439](#)  
 to reencipher a PKDS [449](#)

## V

V2R2 changed information FMID HCR77B1 [xl](#)  
V2R2 changed information FMID HCR77C0 [xxxix](#)  
V2R2 deleted information FMID HCR77B1 [xli](#)  
V2R2 deleted information FMID HCR77C0 [xl](#)  
V2R2 new information FMID HCR77B1 [xl](#)  
V2R2 new information FMID HCR77C0 [xxxix](#)  
V2R3 changed information FMID HCR77C1 [xxxviii](#)  
V2R3 changed information FMID HCR77D0 [xxxvii](#)  
V2R3 deleted information FMID HCR77C1 [xxxix](#)  
V2R3 deleted information FMID HCR77D0 [xxxviii](#)  
V2R3 new information FMID HCR77C1 [xxxviii](#)  
V2R3 new information FMID HCR77D0 [xxxvii](#)  
verification pattern  
    algorithm [495](#)  
    description [100](#)  
    for asymmetric master key [255](#)  
    for final key part [111](#)  
    for new master key part [111](#)  
    for old master key [255](#)  
    generating [102](#)  
viewing system status [243](#)

## W

WAITLIST installation option [268](#)  
Weak SO  
    description [398](#)  
Weak User  
    description [398](#)  
WRAPENH control statement keyword [204](#)





SC14-7506-08

